

US00D502842S

(12) **United States Design Patent**  
**Hallar**

(10) **Patent No.:** **US D502,842 S**  
(45) **Date of Patent:** **\*\* Mar. 15, 2005**

(54) **FOOD PROCESSOR**

(75) **Inventor:** **James H. Hallar**, Richmond, VA (US)

(73) **Assignee:** **Hamilton Beach/Proctor-Silex, Inc.**,  
Glen Allen, VA (US)

(\*\*) **Term:** **14 Years**

(21) **Appl. No.:** **29/198,222**

(22) **Filed:** **Jan. 27, 2004**

(51) **LOC (7) Cl.** ..... **31-00**

(52) **U.S. Cl.** ..... **D7/384**

(58) **Field of Search** ..... D7/376-386, 412,  
D7/413; 99/331, 337, 348, 492, 509-511;  
215/222; 241/33-37.5, 101.01-101.2, 273.1-278.2,  
282.1, 282.2; 366/129, 130, 142, 197-201,  
205-207, 214, 241-251, 279-282

(56) **References Cited**

**U.S. PATENT DOCUMENTS**

3,892,365 A	7/1975	Verdun
D251,231 S	3/1979	Hashimoto
D251,407 S	3/1979	Tsuji et al.
4,143,824 A	3/1979	Shiotani
4,226,374 A	10/1980	Kafka
4,297,038 A	10/1981	Falkenbach
4,614,306 A	9/1986	Doggett
D290,676 S	7/1987	Stutzer et al.
D290,677 S	7/1987	Stutzer et al.
4,706,896 A	11/1987	Moon-Kau
4,799,626 A	1/1989	Hickel et al.
D324,322 S	3/1992	Barrault

D373,049 S	8/1996	le Rouzic
D390,746 S	2/1998	Hippen et al.
D410,816 S	6/1999	Crescenzi et al.
5,921,485 A	7/1999	Plavcan et al.
D426,423 S	6/2000	Lee
D445,299 S	7/2001	Spagnolo et al.
D445,636 S	7/2001	Spagnolo
D445,637 S	7/2001	Feil
D447,003 S	8/2001	Feil
6,397,735 B1	6/2002	Wong
6,412,404 B1 *	7/2002	Hsu ..... 99/495
6,510,784 B1	1/2003	Fevre et al.

\* cited by examiner

*Primary Examiner*—Caron D. Veynar

(74) *Attorney, Agent, or Firm*—Akin Gump Strauss Hauer & Feld LLP

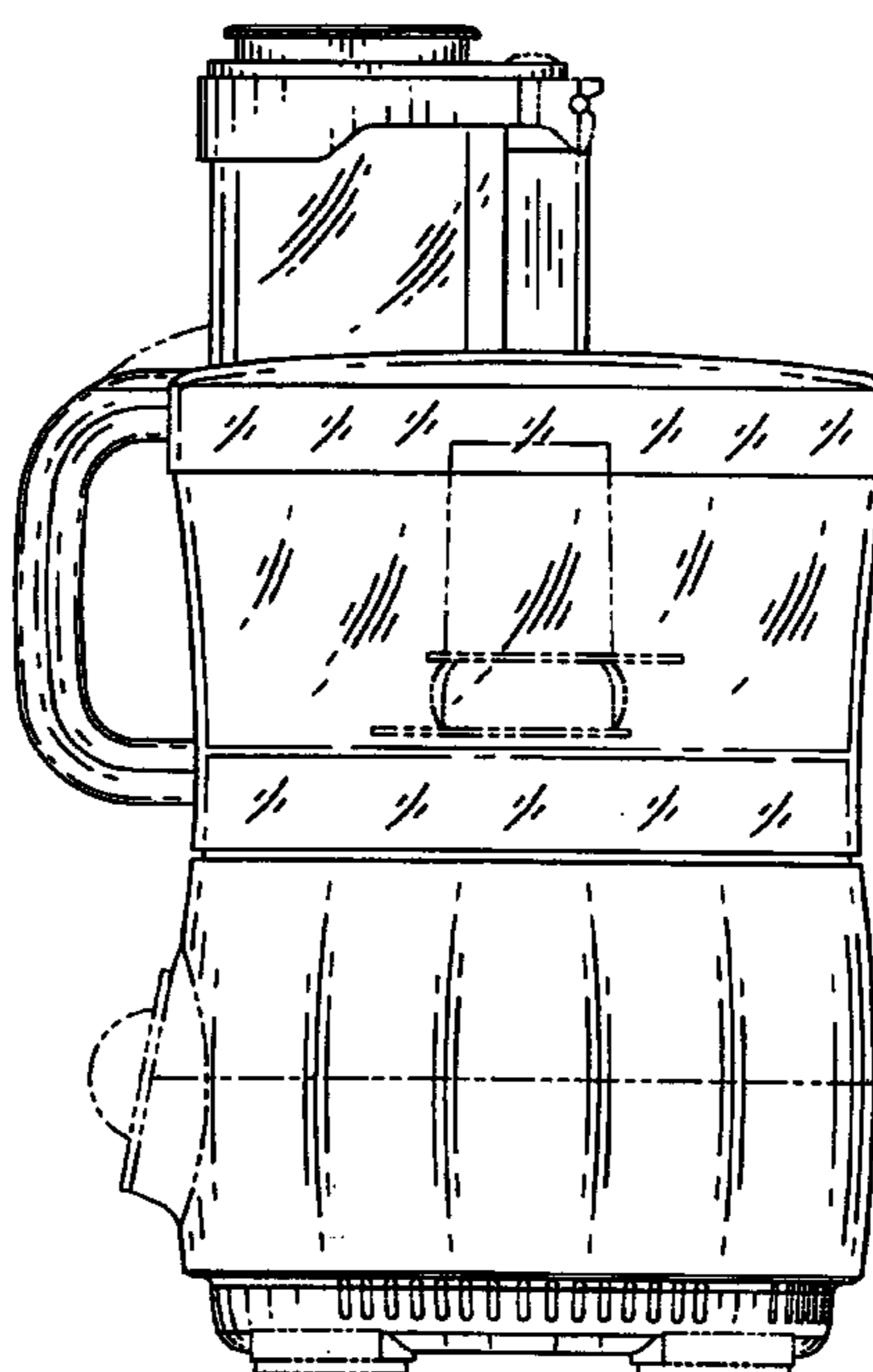
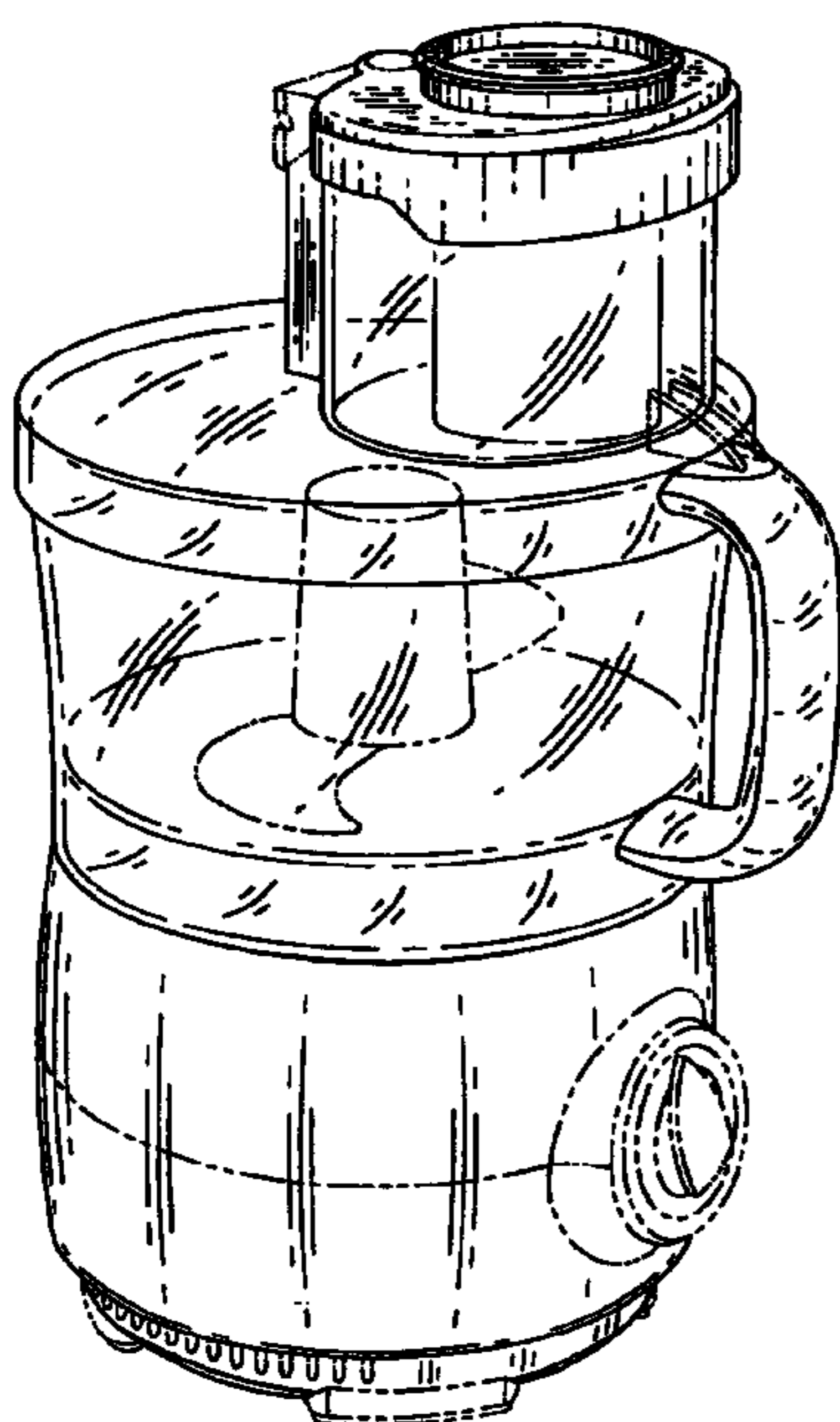
(57) **CLAIM**

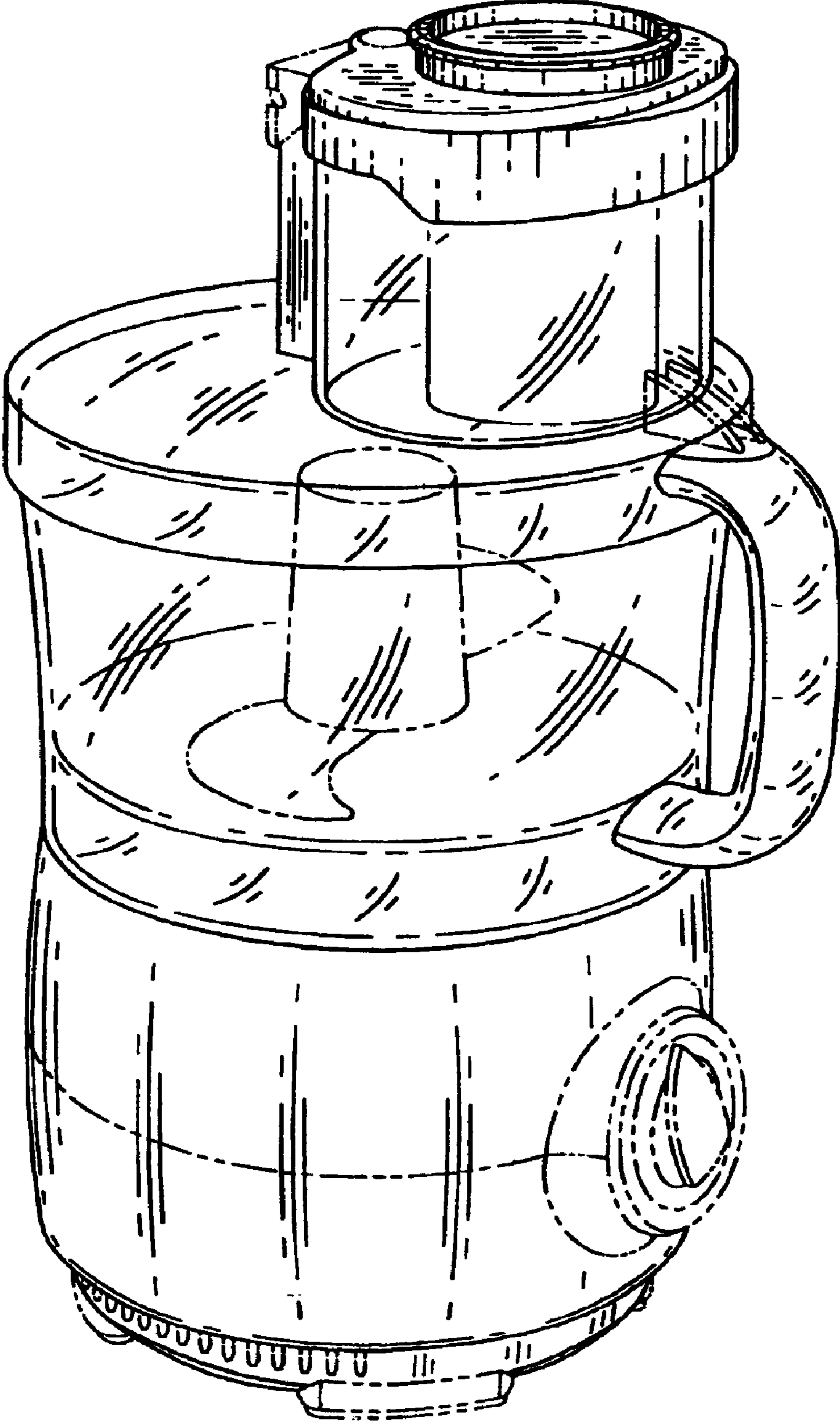
The ornamental design for a food processor, as shown and described.

**DESCRIPTION**

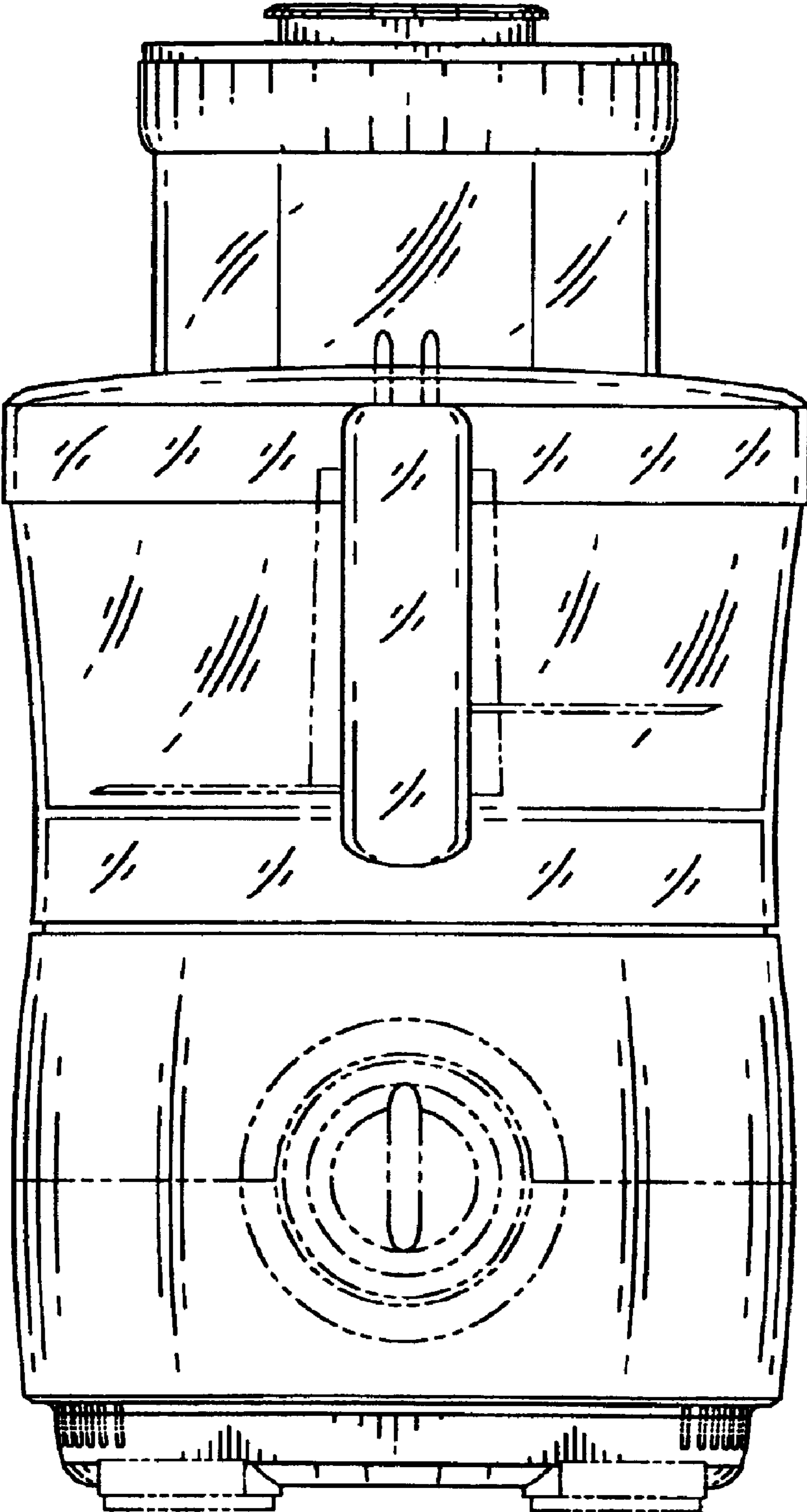
FIG. 1 is a top perspective view of a food processor in accordance with my new design;  
FIG. 2 is a front elevational view thereof;  
FIG. 3 is a left-side elevational view thereof, a right-side elevational view thereof being a mirror image;  
FIG. 4 is a rear elevational view thereof;  
FIG. 5 is a top plan view thereof; and,  
FIG. 6 is a bottom plan view thereof.  
The broken lines in the figures are for illustrative purposes only and form no part of the claimed design.

**1 Claim, 5 Drawing Sheets**

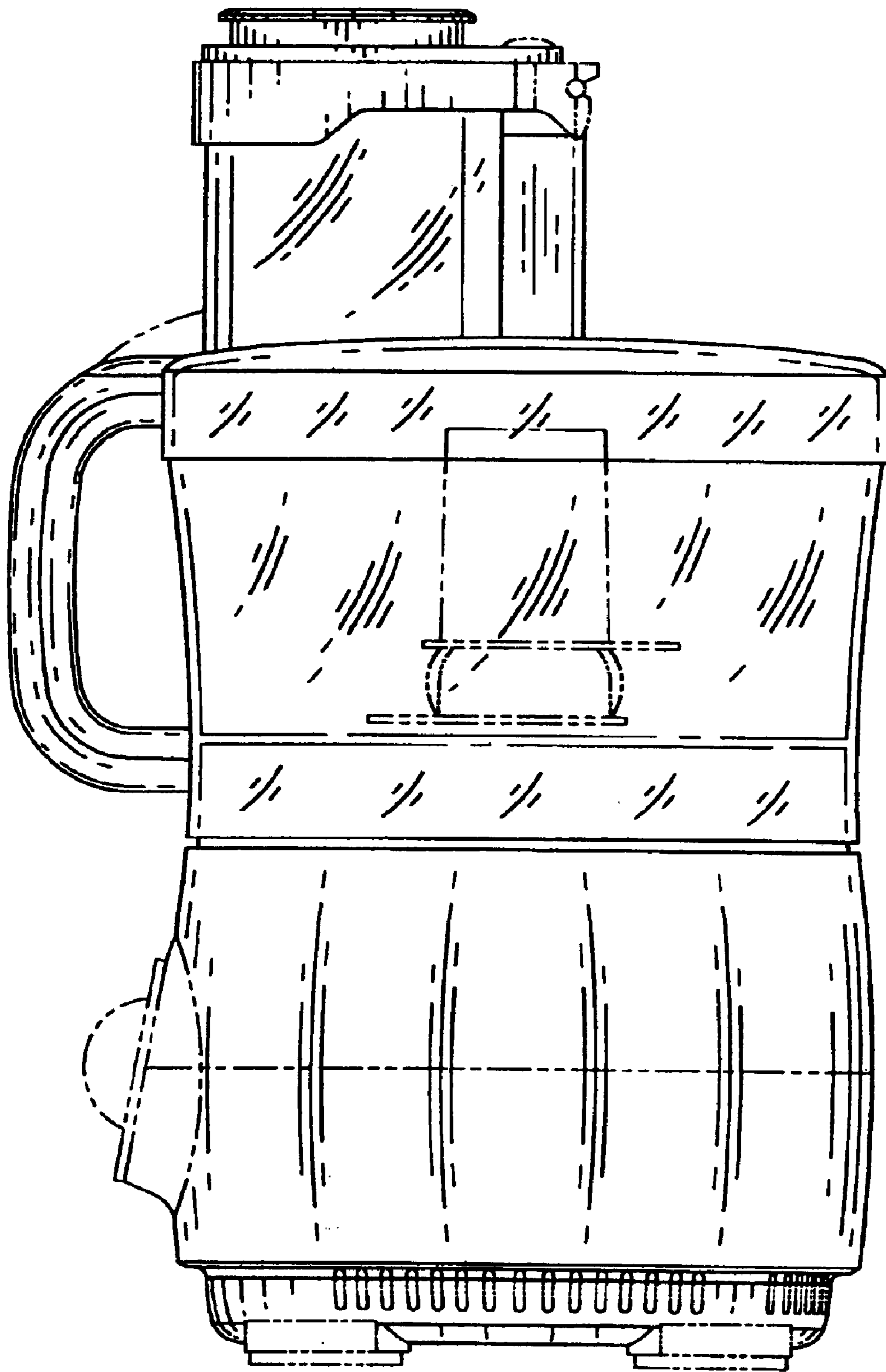




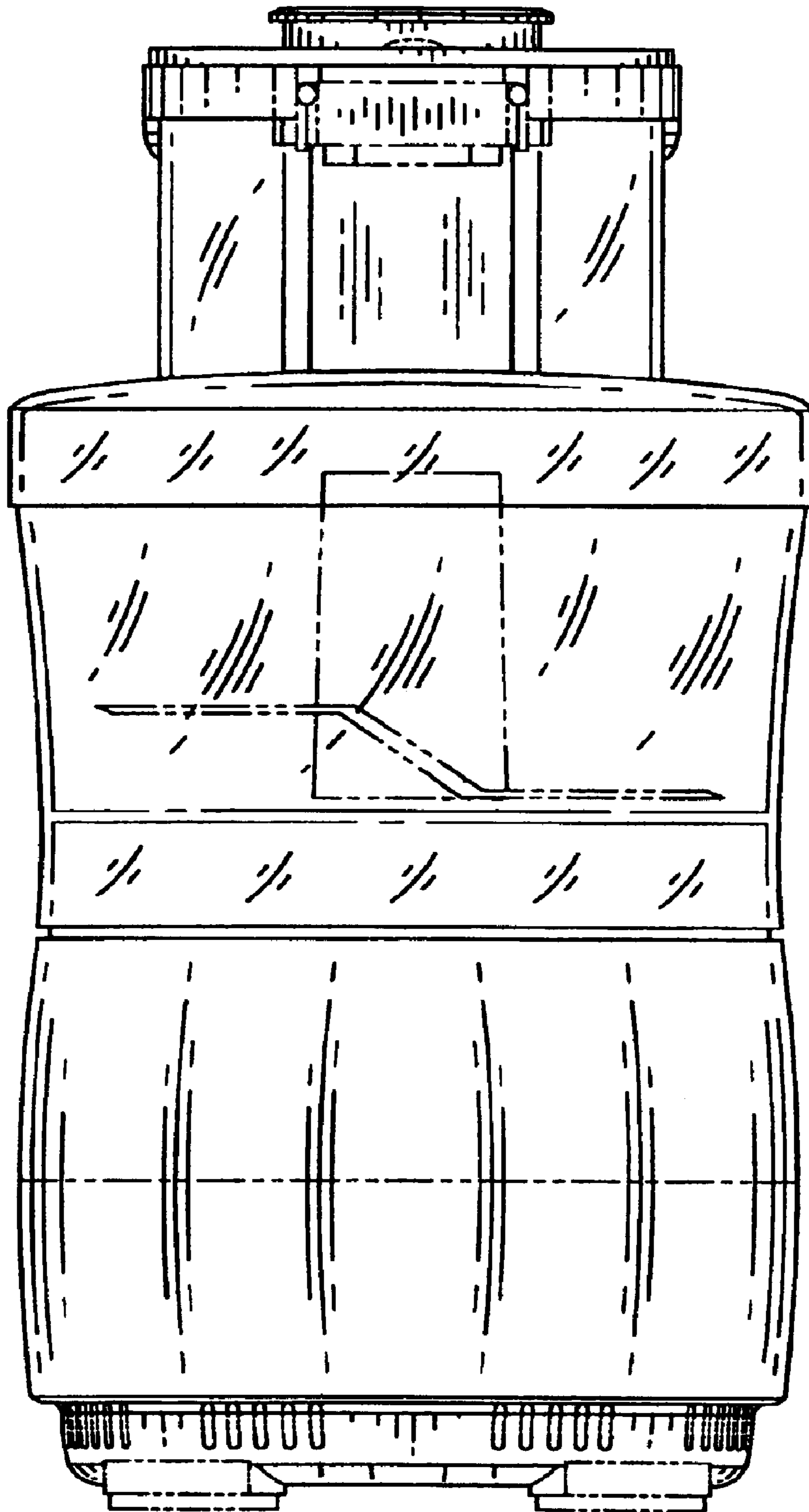
**Fig. 1**



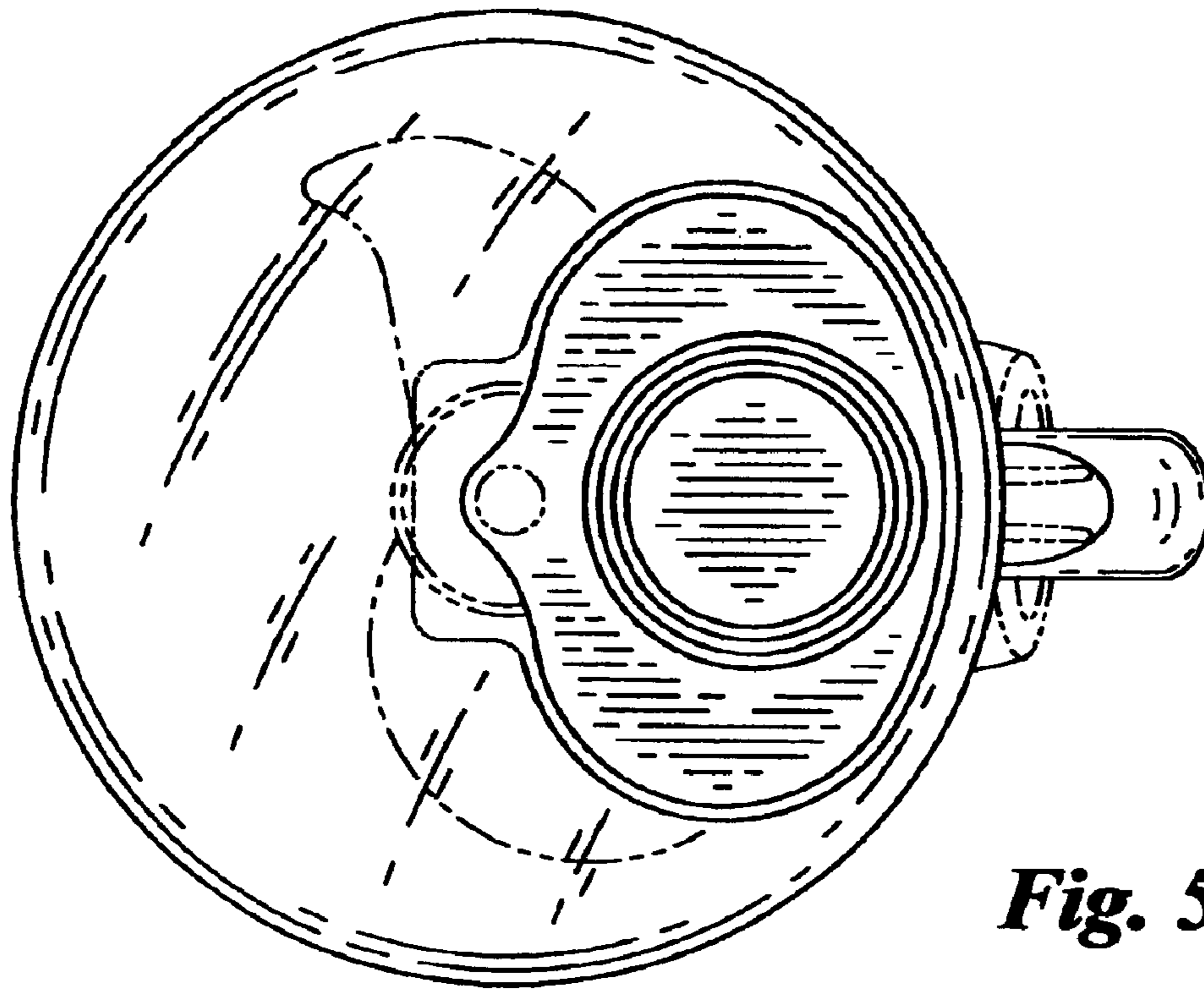
**Fig. 2**



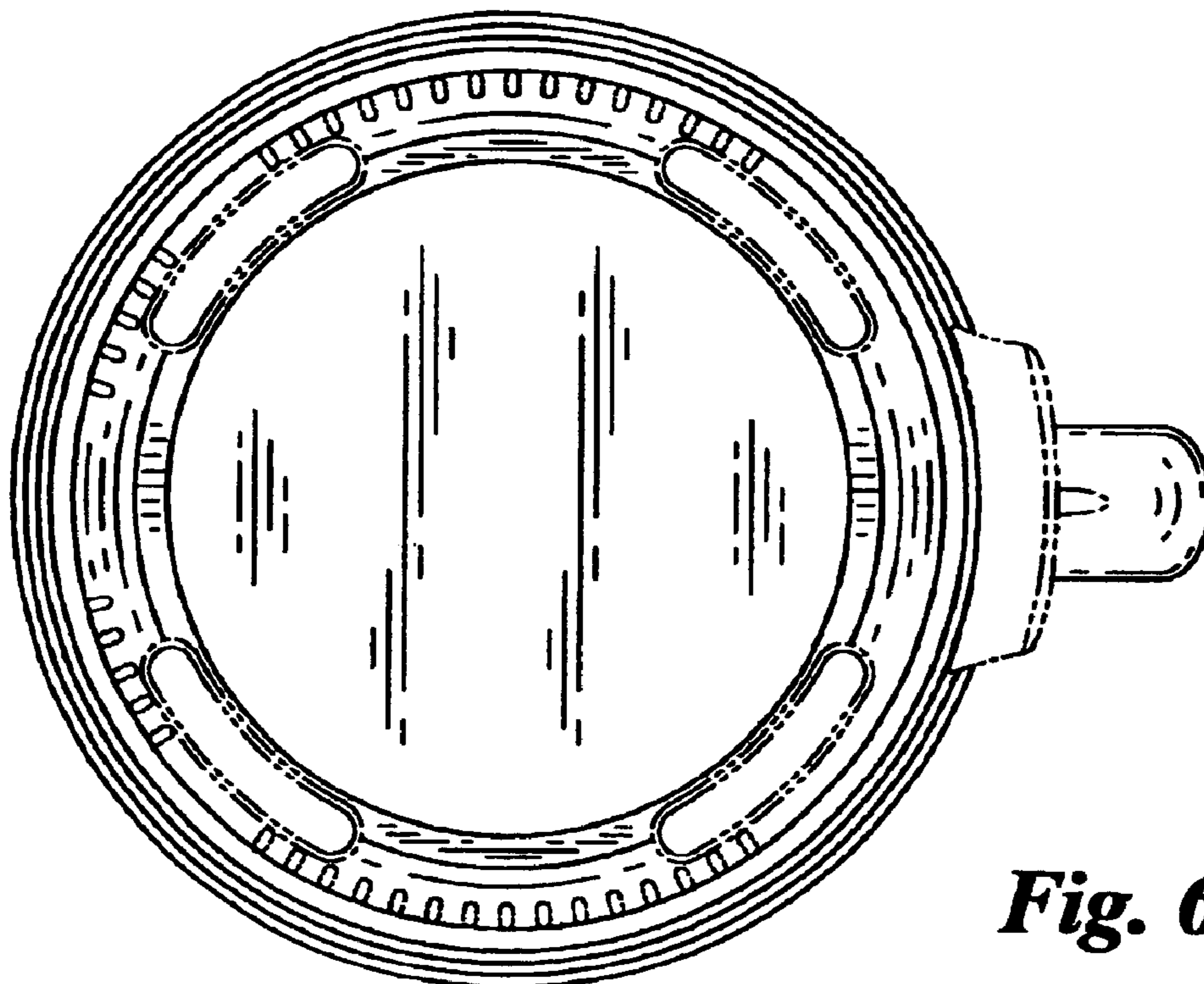
**Fig. 3**



**Fig. 4**



**Fig. 5**



**Fig. 6**