

US00D502841S

(12) **United States Design Patent**
Santer

(10) **Patent No.:** **US D502,841 S**

(45) **Date of Patent:** **** Mar. 15, 2005**

(54) **STAND MIXER**

(75) **Inventor:** **Johan Santer**, Buckinghamshire (GB)

(73) **Assignee:** **Kenwood Marks Limited**, Hampshire (GB)

(**) **Term:** **14 Years**

(21) **Appl. No.:** **29/192,989**

(22) **Filed:** **Oct. 30, 2003**

(51) **LOC (7) Cl.** **31-00**

(52) **U.S. Cl.** **D7/379; D7/309; D7/311**

(58) **Field of Search** **D7/376-379, 386, D7/412, 413, 415, 306, 309, 311, 509, 523, 529, 530; 99/284, 348; 366/197-214, 241-254, 286, 314, 341, 349**

(56) **References Cited**

U.S. PATENT DOCUMENTS

D162,875 S	*	4/1951	Polivka et al.	D7/379
D189,936 S	*	3/1961	Grange	D7/379
D209,072 S	*	10/1967	Duncan	D7/379
D209,126 S	*	10/1967	Martin	D7/309
D209,127 S	*	10/1967	Martin	D7/309
D265,166 S	*	6/1982	Ernest et al.	D7/386
D286,258 S	*	10/1986	Grange	D7/379
4,755,060 A	*	7/1988	Pedersen	366/286
4,892,031 A	*	1/1990	Webster et al.	99/284
D315,473 S	*	3/1991	Copland	D7/379
D350,871 S	*	9/1994	Littmann	D7/309

D438,052 S	*	2/2001	Po-Hei	D7/379
D438,424 S	*	3/2001	Po-Hei	D7/379
D438,752 S	*	3/2001	Po-Hei	D7/379
D447,907 S	*	9/2001	Po-Hei	D7/379
D454,023 S	*	3/2002	Wang	D7/309
D489,936 S	*	5/2004	Smith et al.	D7/379

* cited by examiner

Primary Examiner—Caron D. Veynar

(74) *Attorney, Agent, or Firm*—Martin Fleit; Paul D. Bianco; Fleit Kain Gibbons Gutman Bongini & Bianco P.L.

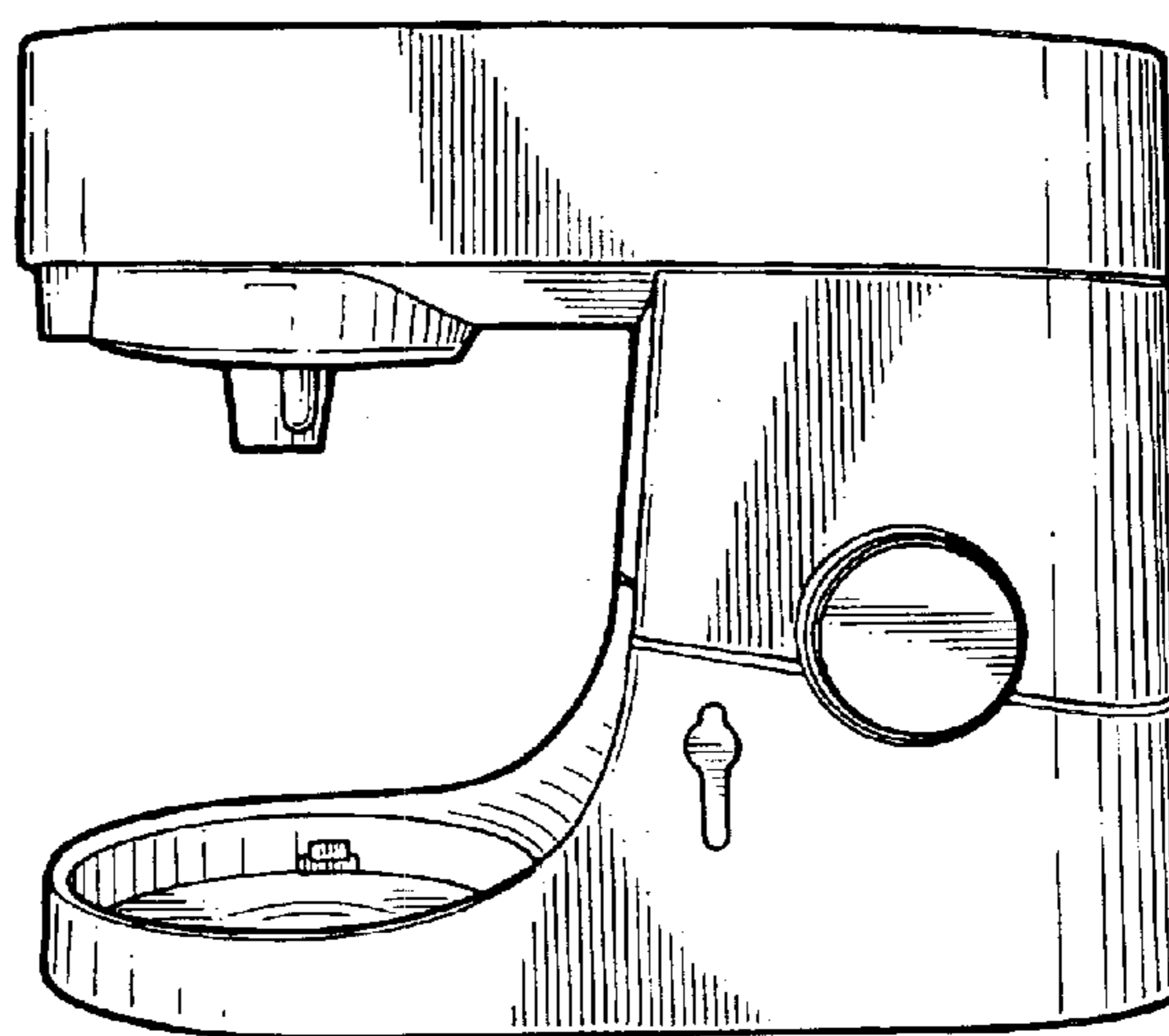
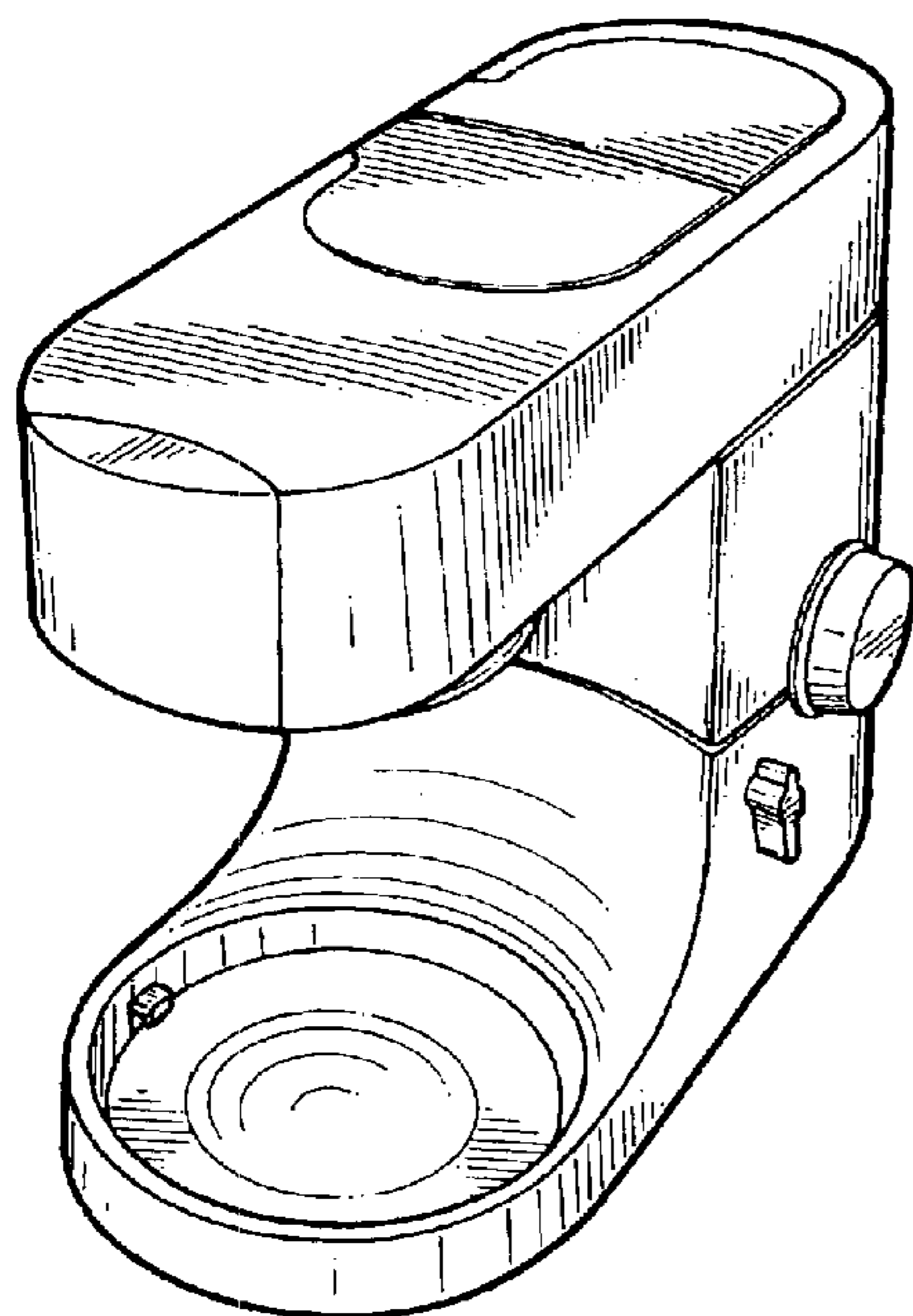
(57) **CLAIM**

The ornamental design for a stand mixer, as shown and described.

DESCRIPTION

FIG. 1 is a perspective view taken from the top, front and right side views of the stand mixer showing my new design; FIG. 2 is a perspective view of the top, rear and right side views of the stand mixer shown in FIG. 1; FIG. 3 is a front side view thereof; FIG. 4 is a right side view thereof; FIG. 5 is a perspective view of the front and left side views of the stand mixer shown in FIG. 1; FIG. 6 is a perspective view of the top and right side views of the stand mixer shown in FIG. 1; and, FIG. 7 is a bottom view thereof, the broken lines shown are for illustrative purposes only and form no part of the claimed design.

1 Claim, 7 Drawing Sheets



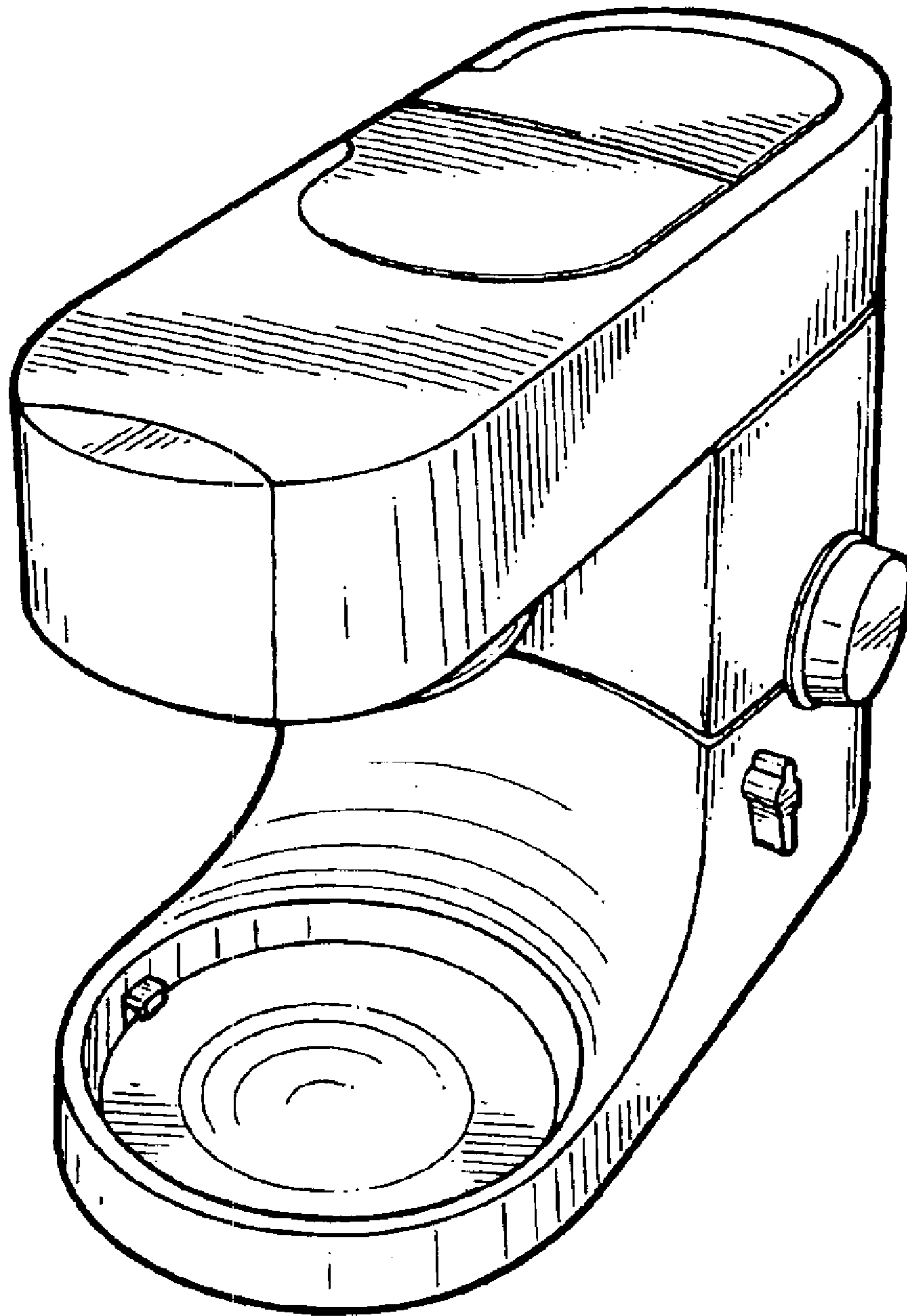


FIG. 1

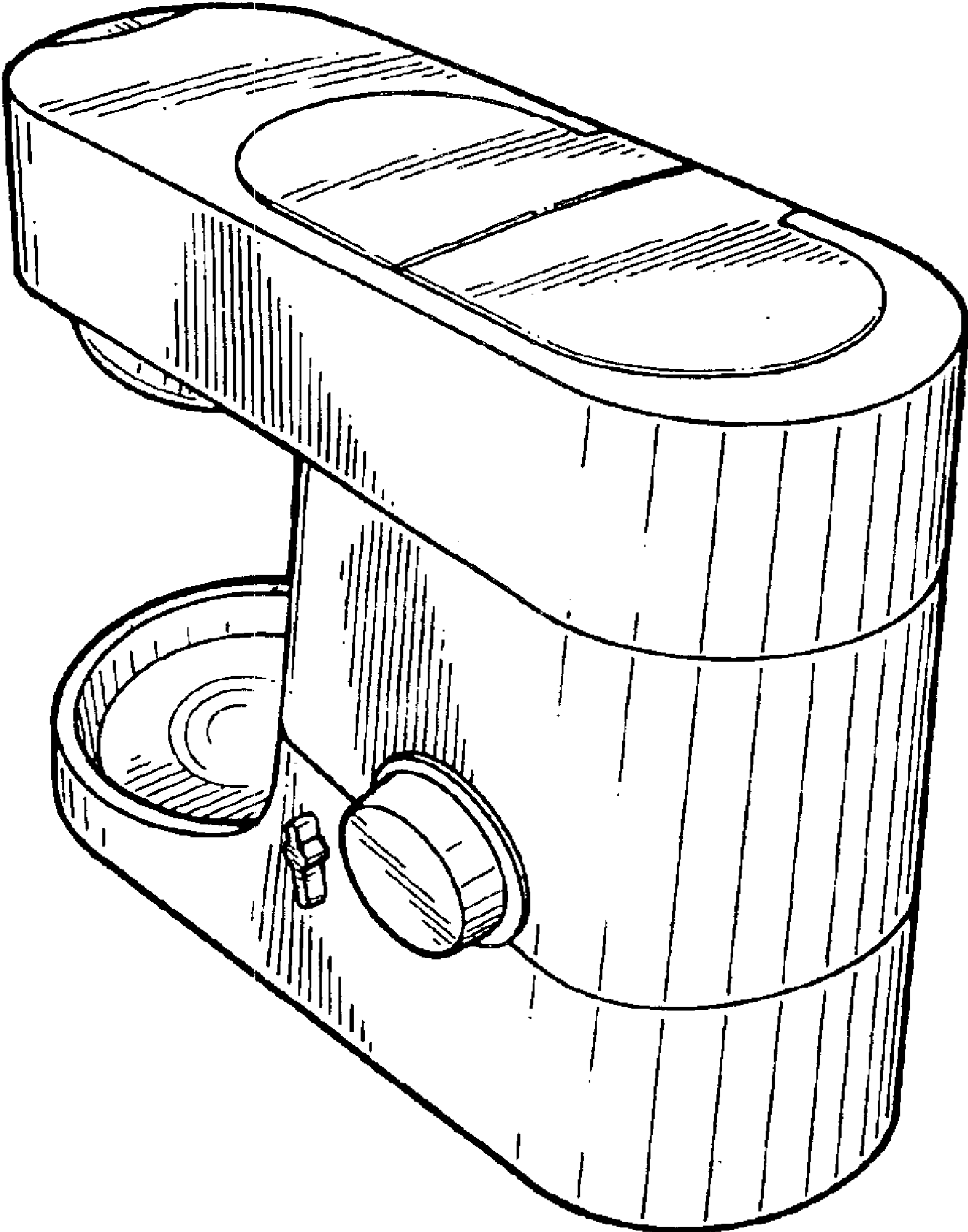


FIG. 2

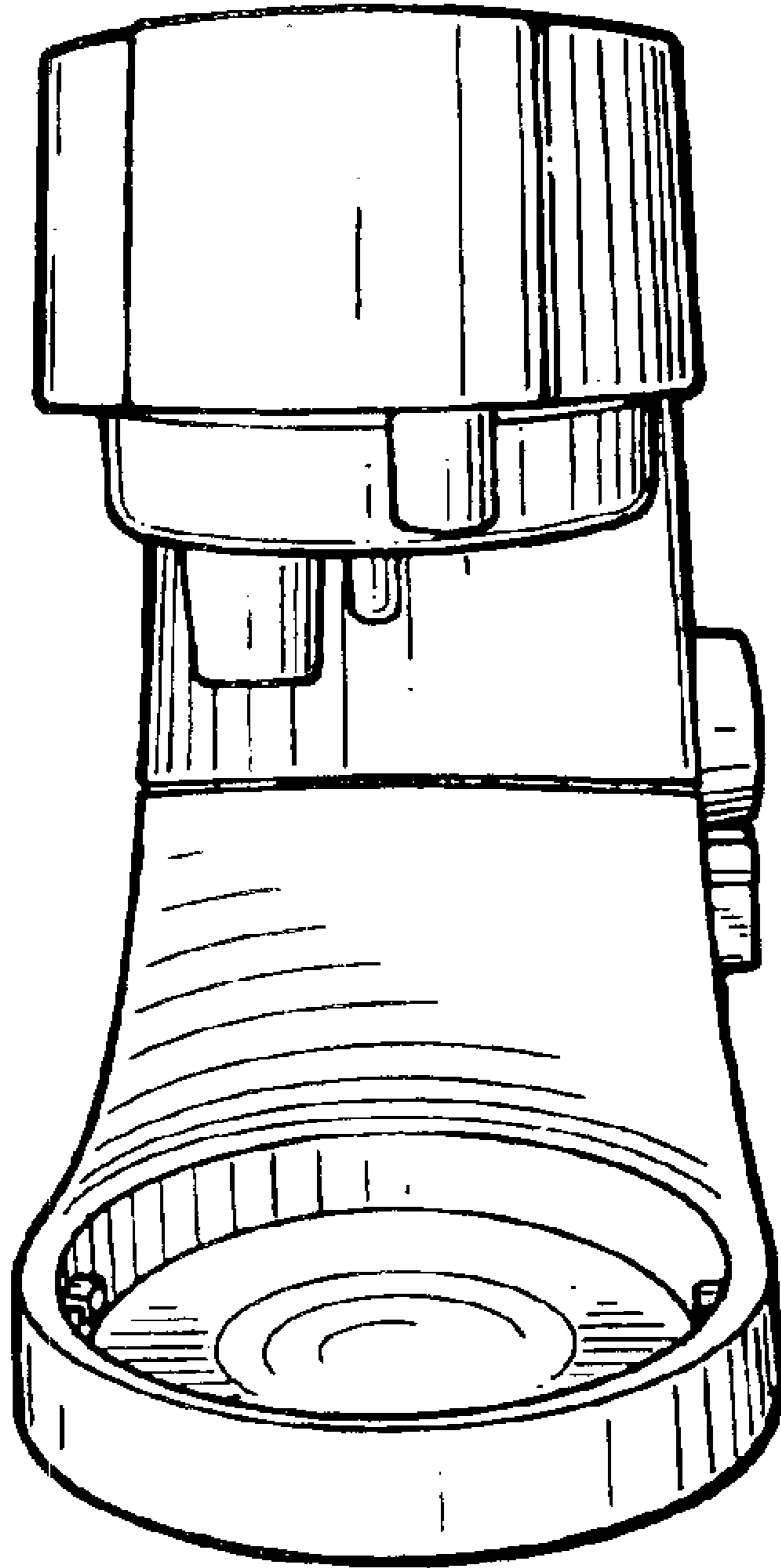


FIG. 3

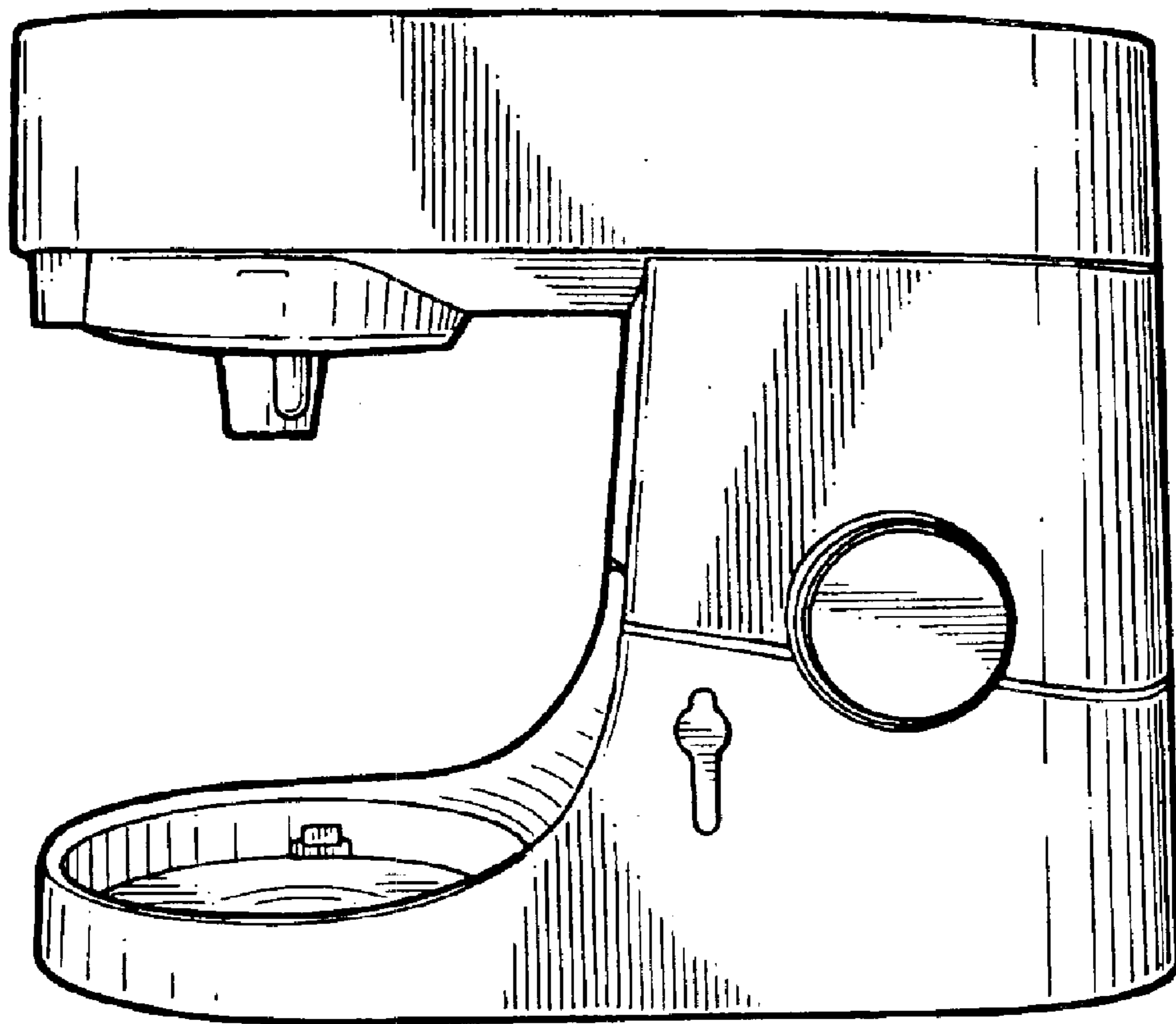


FIG. 4

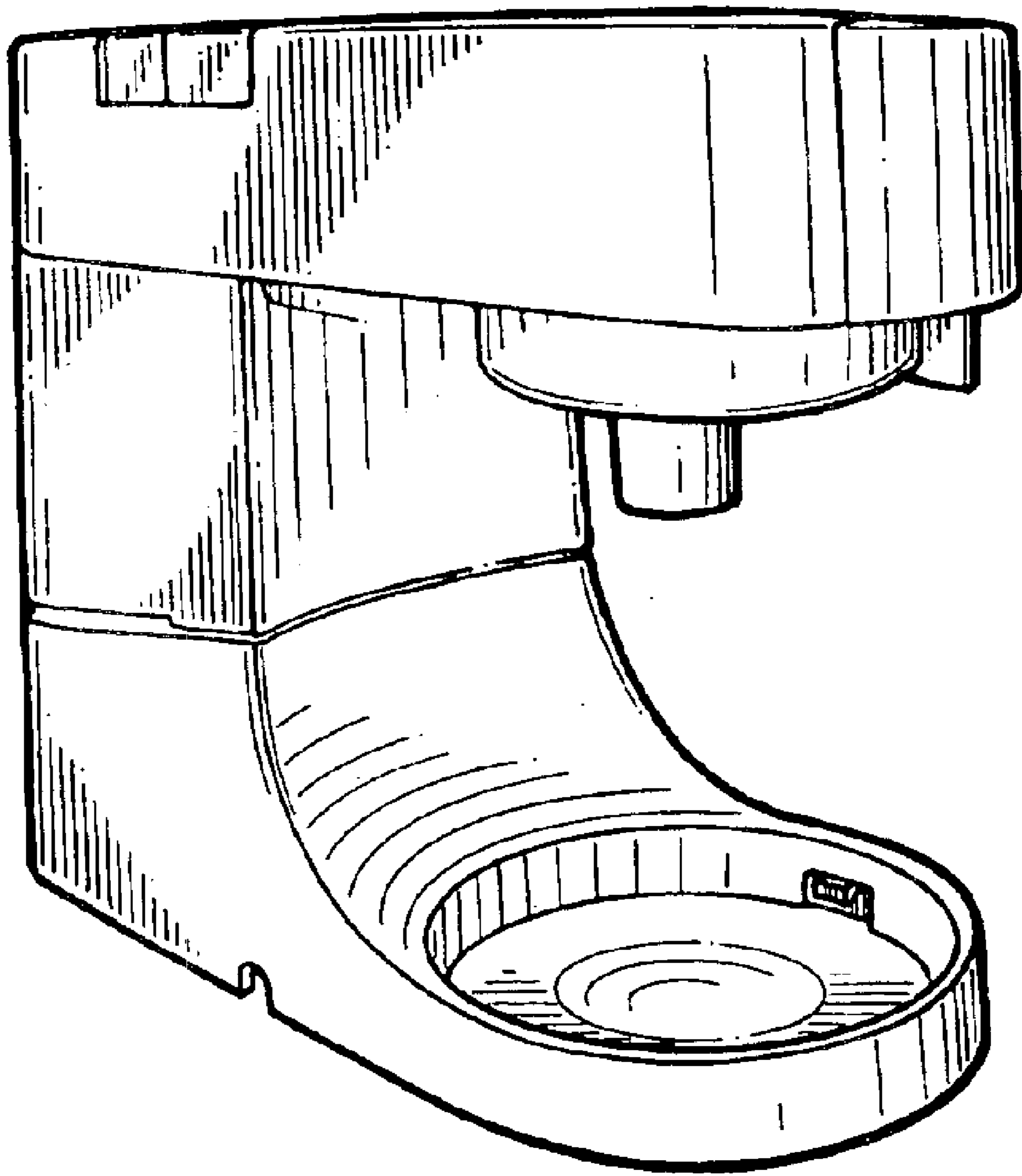


FIG. 5

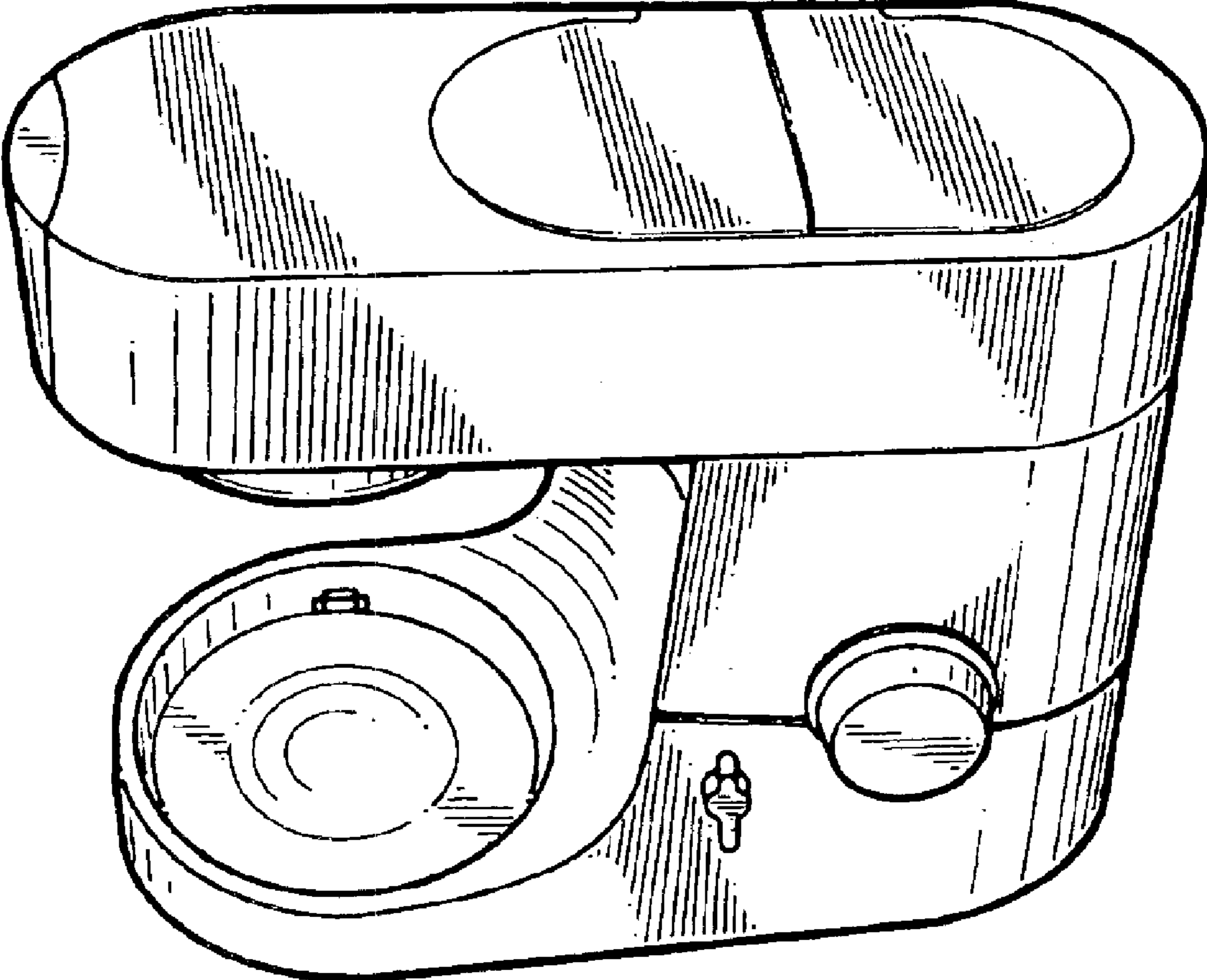


FIG.6

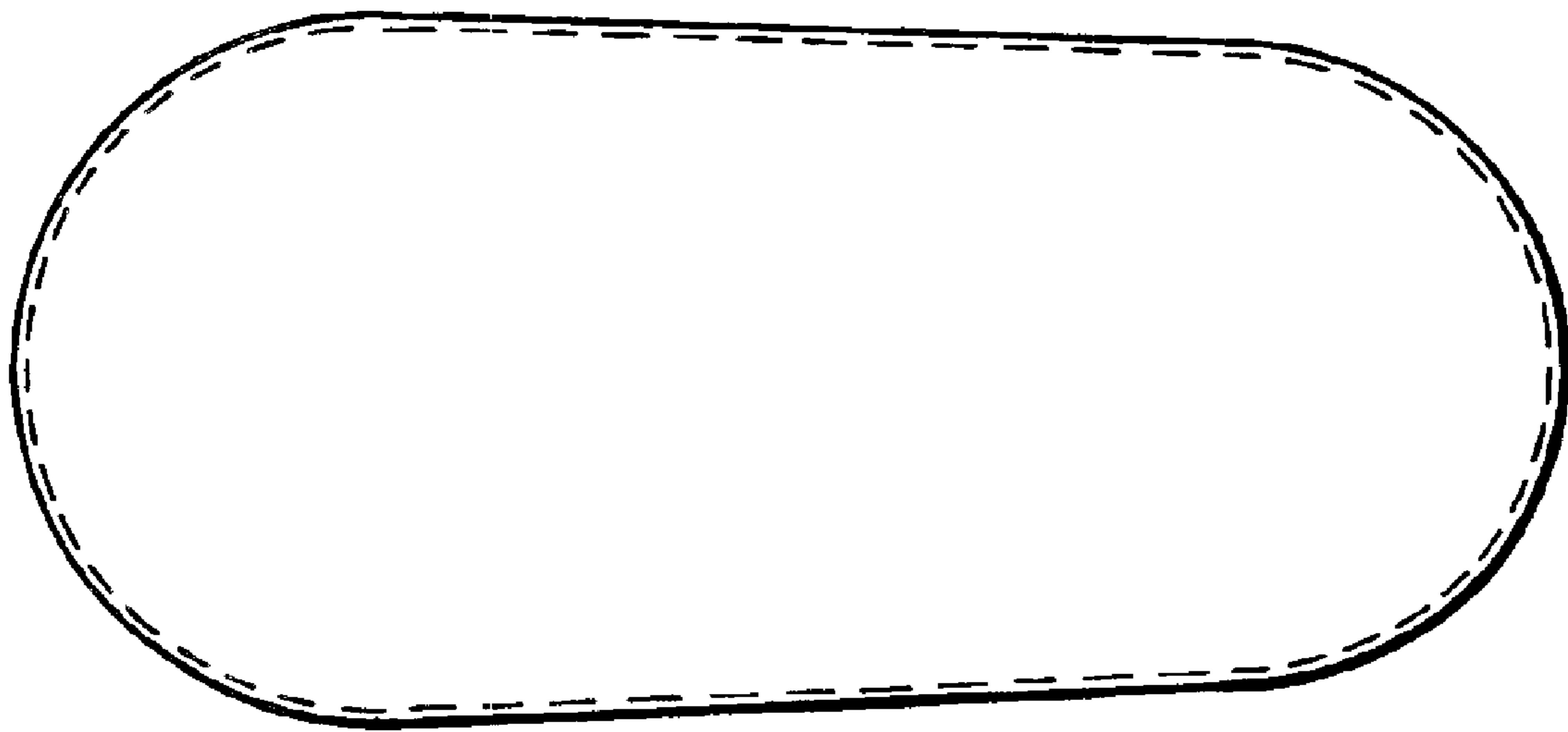


FIG. 7