



US00D502838S

(12) **United States Design Patent**
Ancona

(10) **Patent No.:** **US D502,838 S**
(45) **Date of Patent:** **** Mar. 15, 2005**

(54) **TEAPOT**

(75) **Inventor:** **Bruce Ancona**, New York, NY (US)

(73) **Assignee:** **J.F. Products, L.L.C.**, New York, NY (US)

(**) **Term:** **14 Years**

(21) **Appl. No.:** **29/208,613**

(22) **Filed:** **Jun. 30, 2004**

(51) **LOC (7) Cl.** **07-01**

(52) **U.S. Cl.** **D7/321; D7/322**

(58) **Field of Search** **D7/312, 321, 300,**
D7/319; 116/67 R; 222/472, 471, 146.6,
469

(56) **References Cited**

U.S. PATENT DOCUMENTS

D251,173 S	2/1979	Umanoff
4,385,585 A	5/1983	Lebowitz
D272,884 S	3/1984	Seibel
D274,594 S	7/1984	Lebowitz
D274,595 S	7/1984	Lebowitz
D282,810 S	3/1986	Urich
D308,314 S	6/1990	Ancona et al.
D308,315 S	6/1990	Ancona et al.
D308,798 S	6/1990	Ancona et al.
D336,006 S	6/1993	Lebowitz
D348,795 S	7/1994	Lin

D355,563 S	2/1995	Lebowitz
5,490,616 A	* 2/1996	Stowell et al. 222/472
D407,943 S	4/1999	Chen
D414,979 S	10/1999	de Bergen
D435,386 S	12/2000	Ancona et al.
D435,997 S	* 1/2001	Leo et al. D7/322
6,540,120 B2	* 4/2003	Lebowitz 222/471
D478,243 S	8/2003	Lebowitz
D478,767 S	8/2003	Lebowitz
D484,735 S	1/2004	Lebowitz
D490,641 S	* 6/2004	Lebowitz D7/321
D497,511 S	* 10/2004	Lebowitz D7/322

* cited by examiner

Primary Examiner—M. N. Pandozzi

(74) *Attorney, Agent, or Firm*—Lathrop & Gage, L.C.

(57) **CLAIM**

The ornamental design for a teapot, as shown and described.

DESCRIPTION

FIG. 1 is a perspective view of a teapot according to my invention.

FIG. 2 is a left side view of the teapot; the right side view of the teapot is a mirror image of the right side view of the teapot.

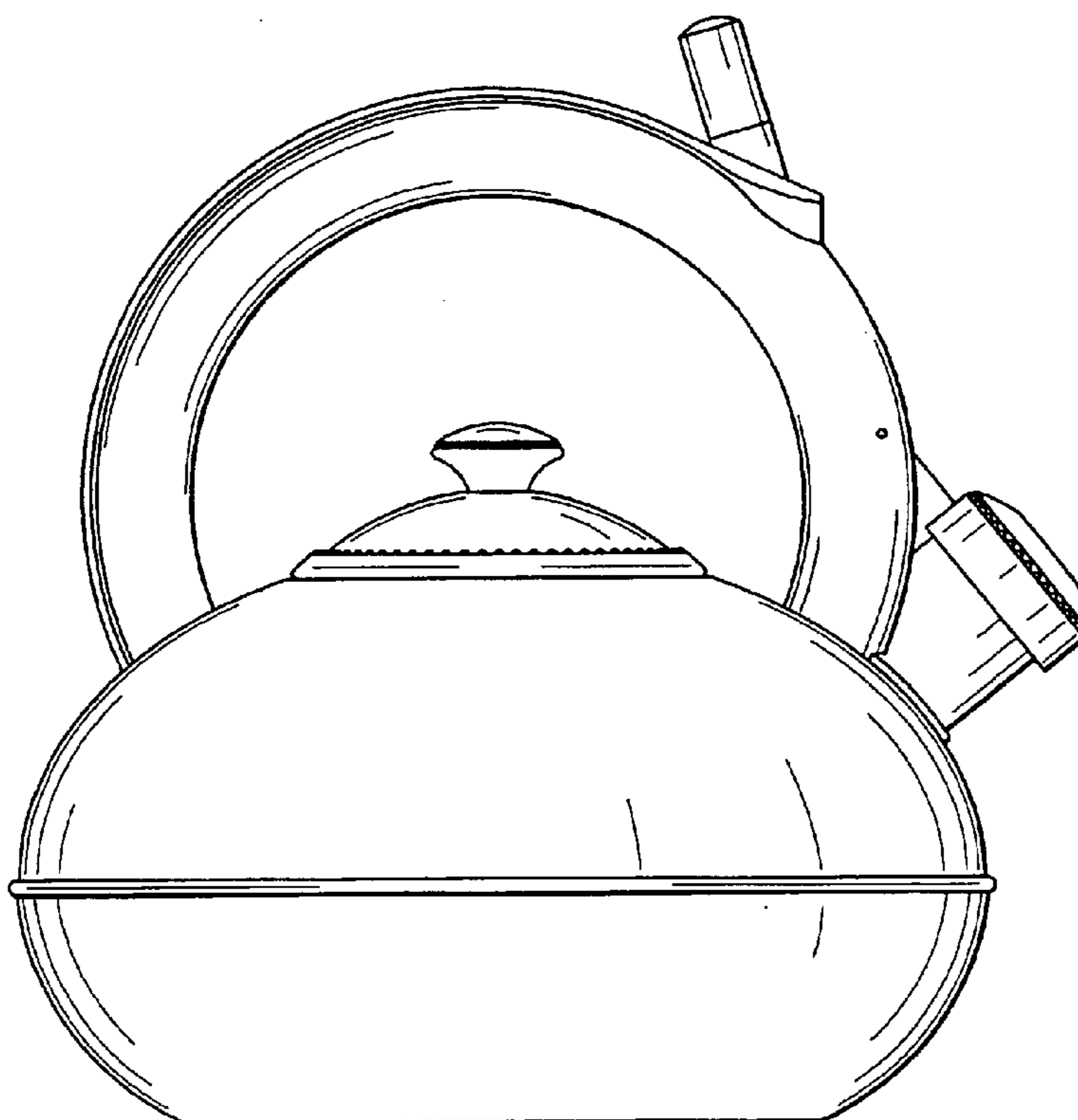
FIG. 3 is a front view of the teapot.

FIG. 4 is a rear view of the teapot.

FIG. 5 is top plan view of the teapot; and,

FIG. 6 is a bottom plan view of the teapot.

1 Claim, 6 Drawing Sheets



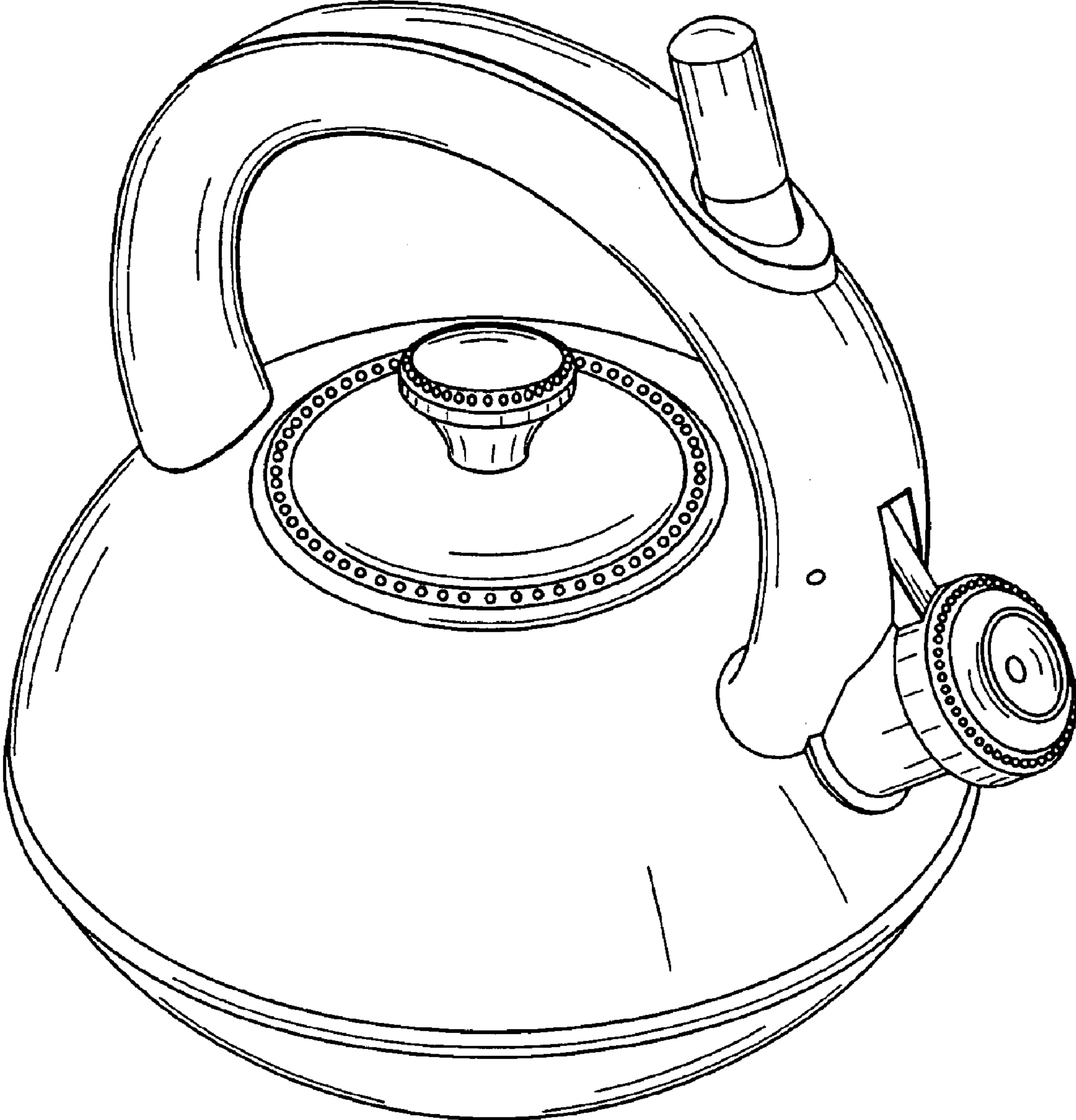


FIG. 1

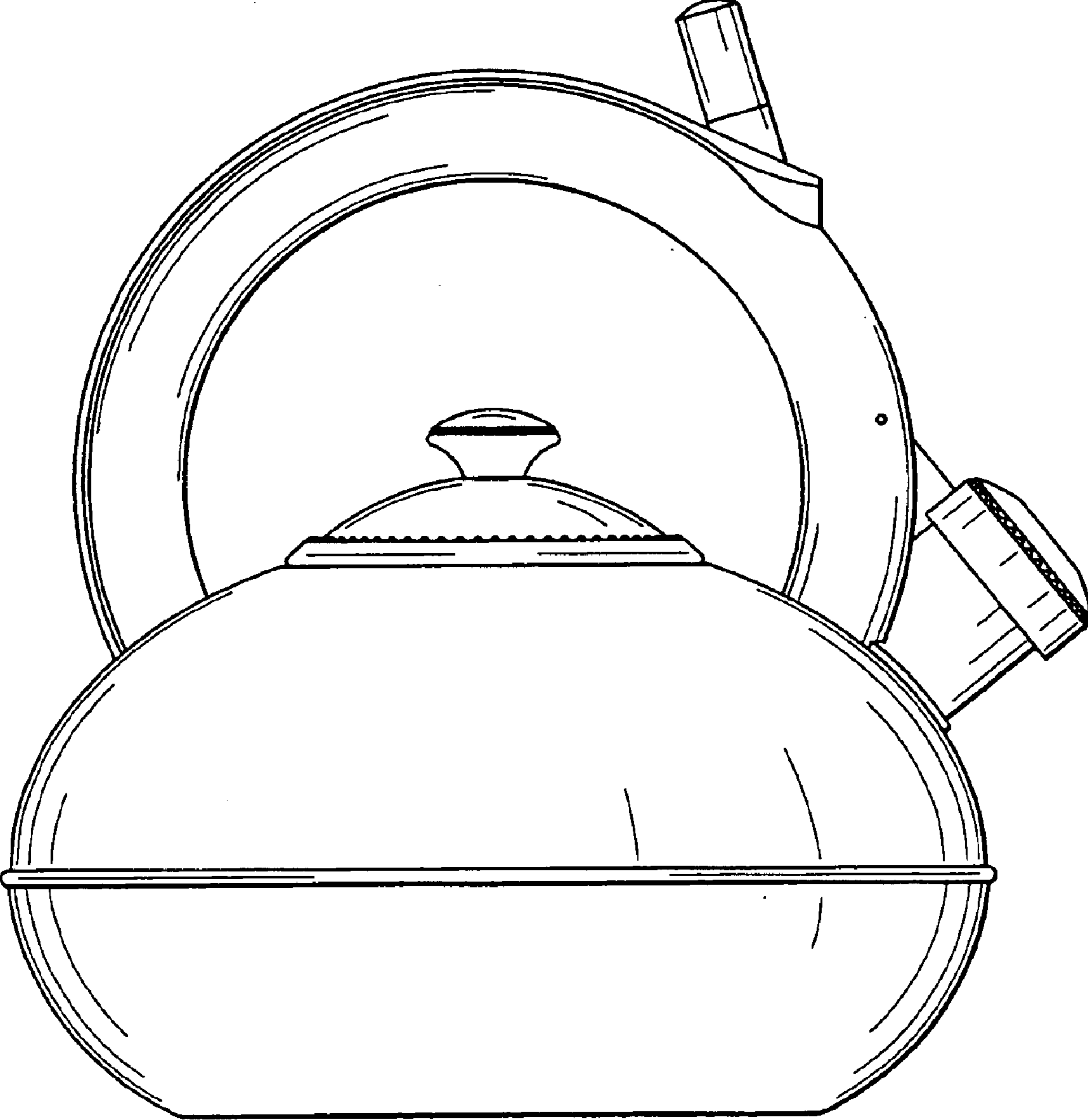


FIG. 2

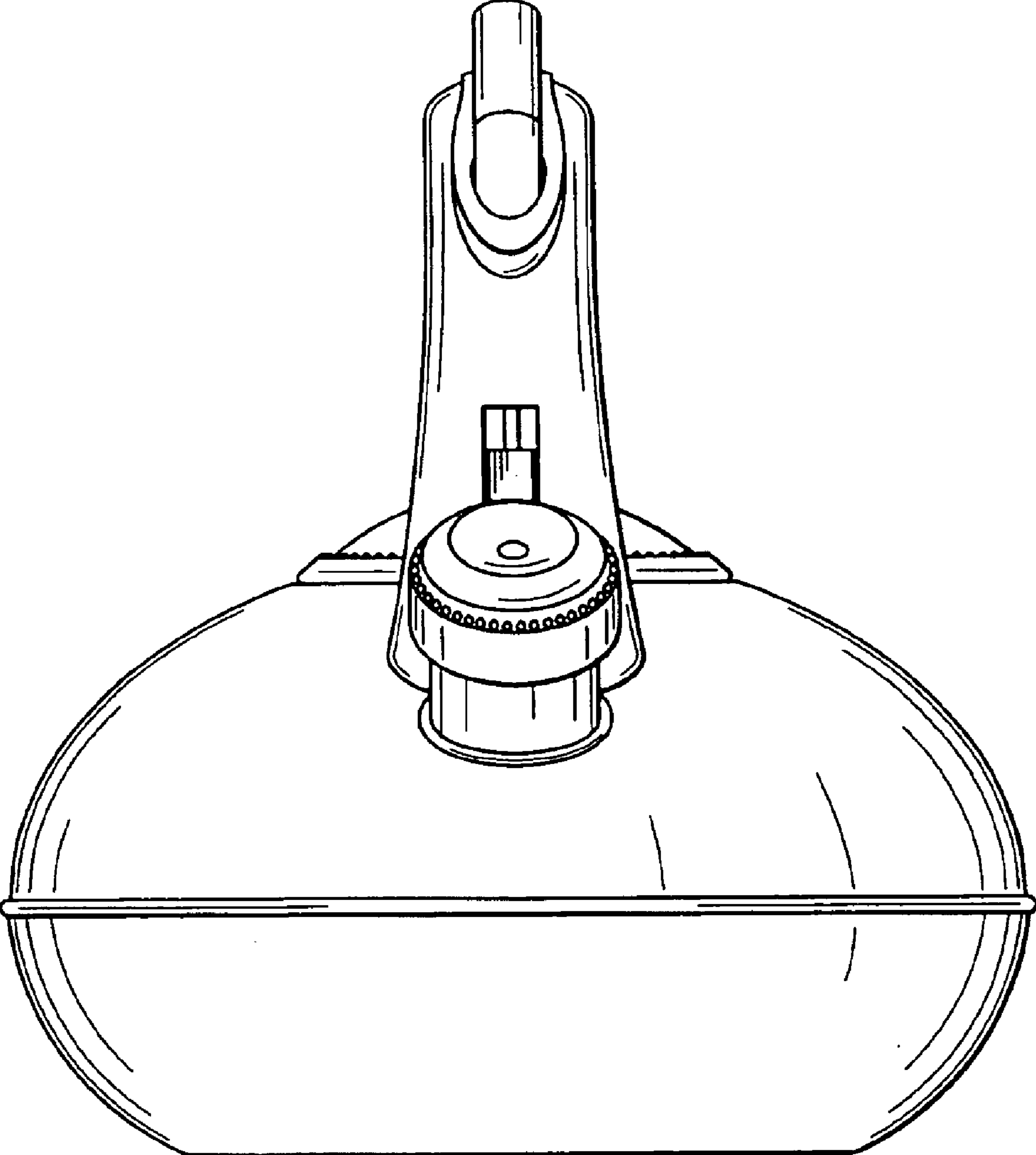


FIG. 3

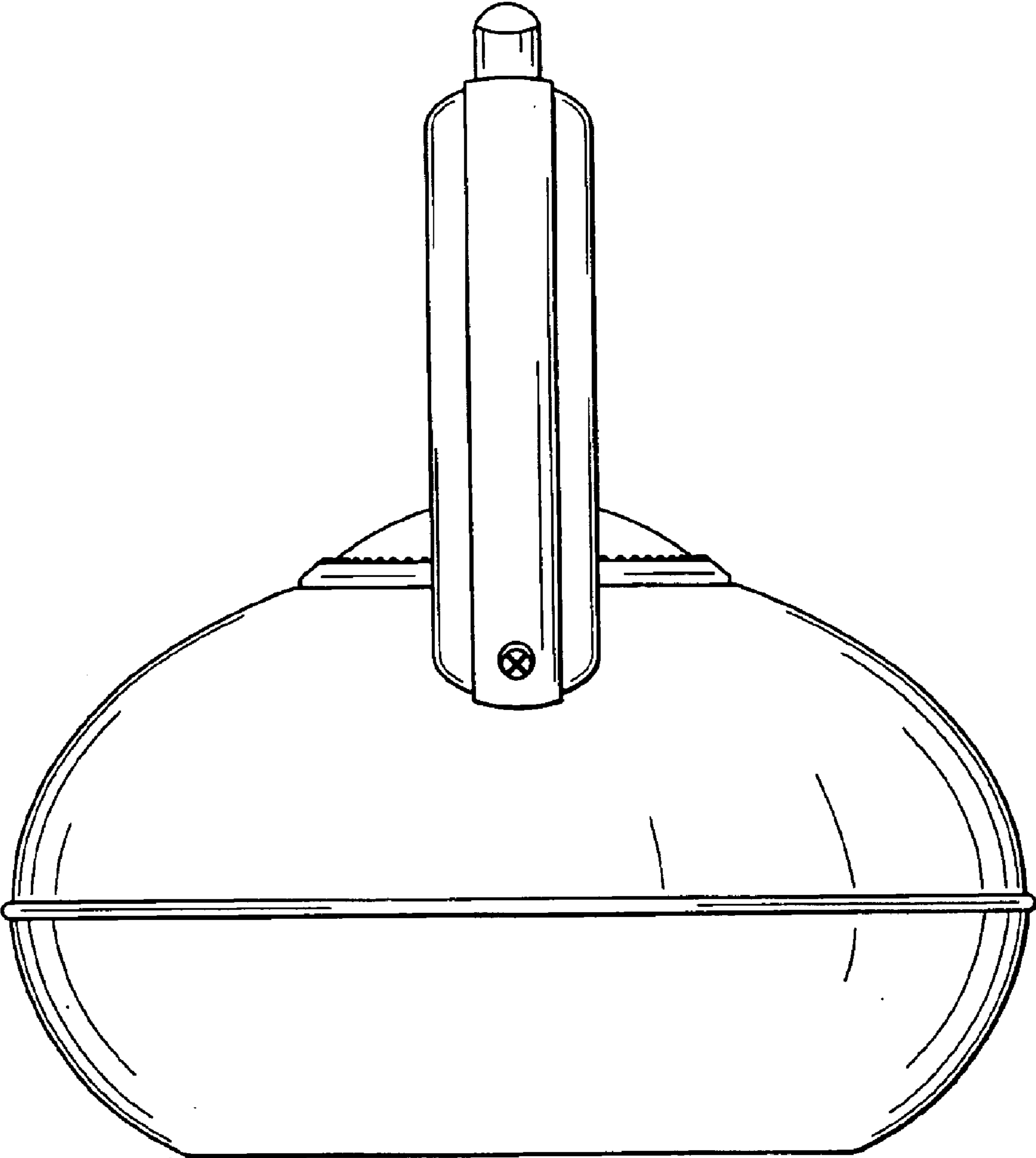


FIG. 4

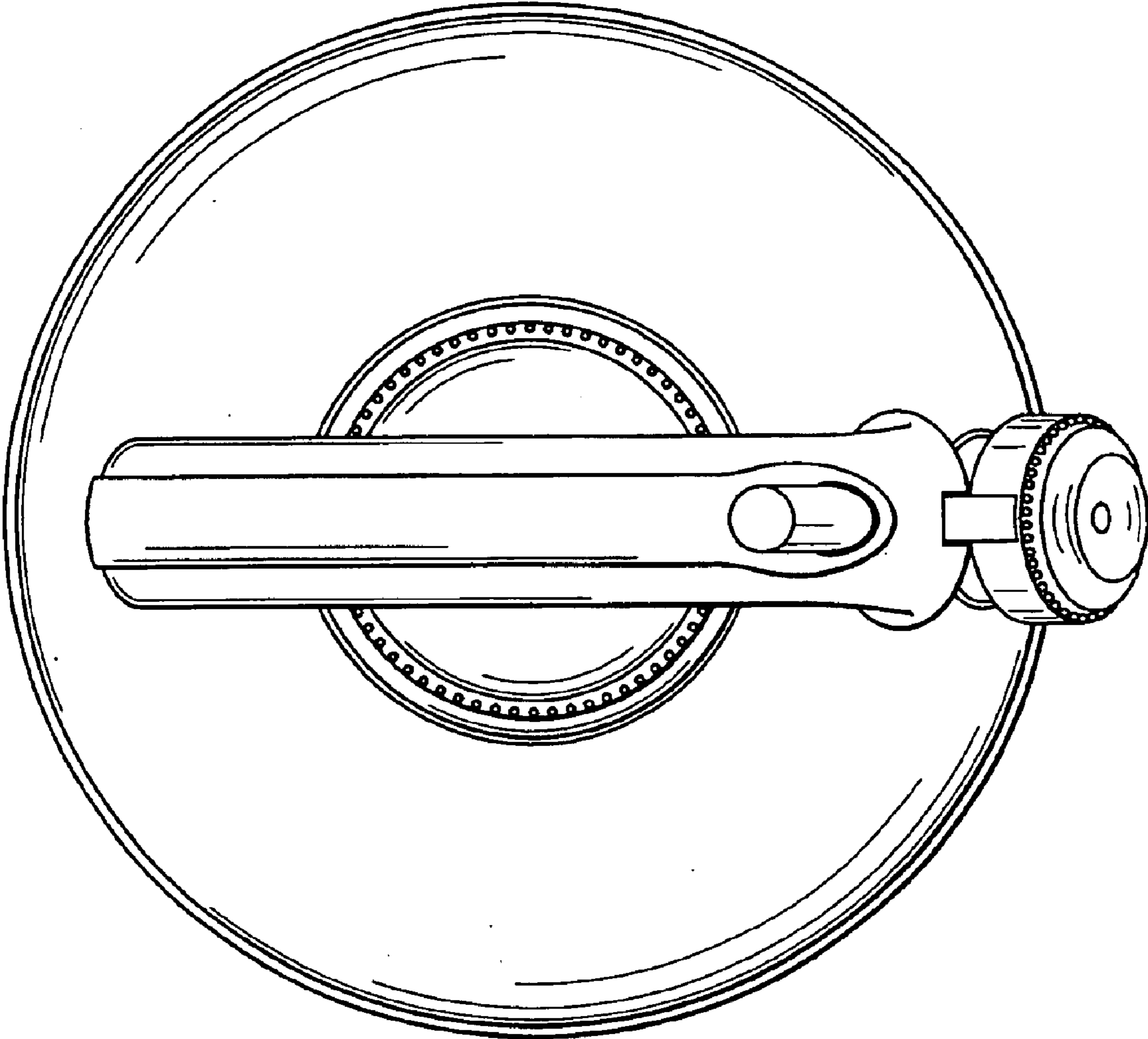


FIG. 5

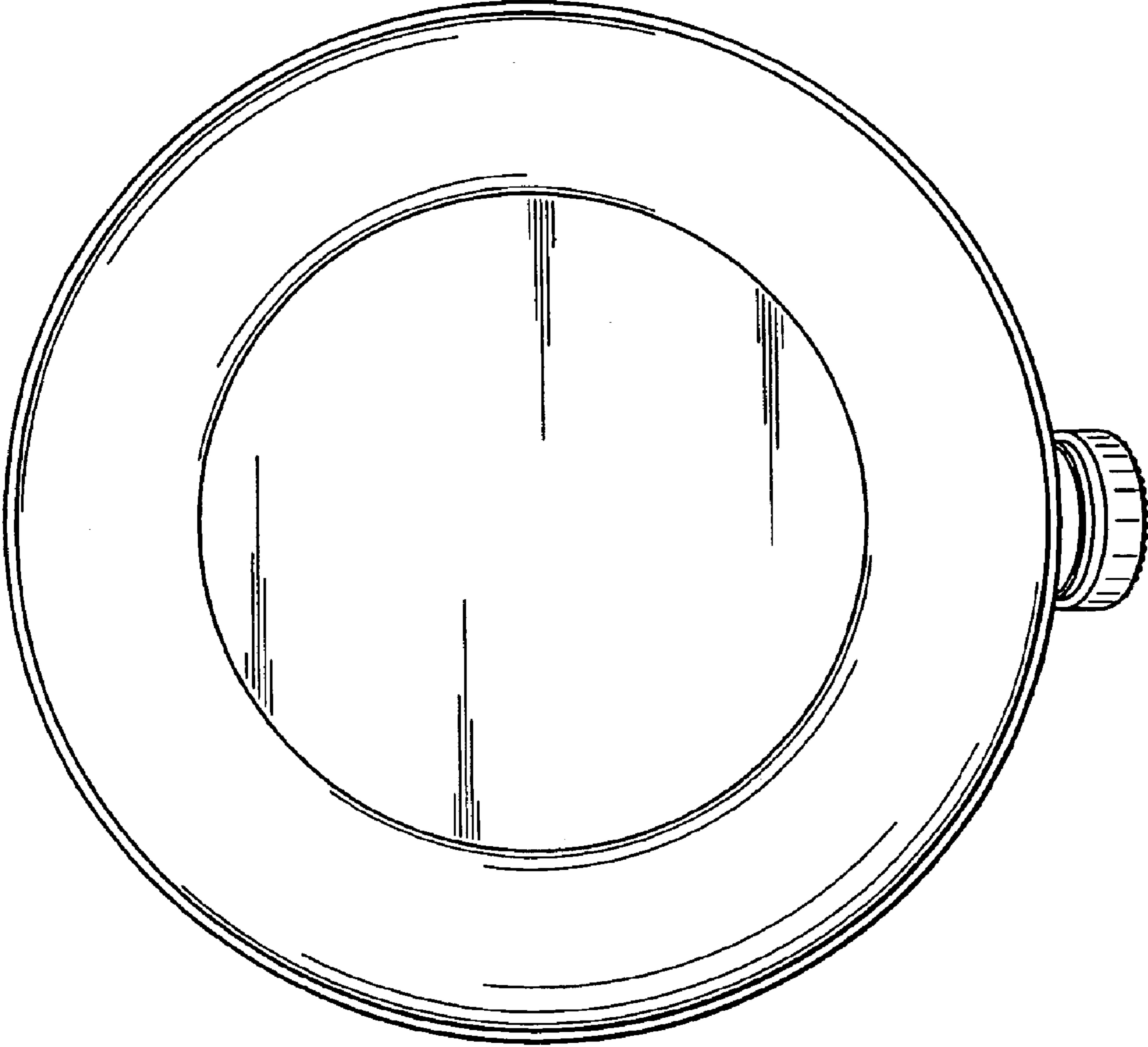


FIG. 6