

US00D502836S

(12) **United States Design Patent**
Chan

(10) **Patent No.:** **US D502,836 S**
(45) **Date of Patent:** **** Mar. 15, 2005**

- (54) **COMPACT DISC HOLDER**
- (75) **Inventor:** **Sik-Leung Chan**, New Territories (CN)
- (73) **Assignee:** **C. C. & L Company Limited**, Tsuen Wan (CN)
- (**) **Term:** **14 Years**

- (21) **Appl. No.:** **29/186,909**
- (22) **Filed:** **Jul. 23, 2003**

(30) **Foreign Application Priority Data**

Apr. 22, 2003 (HK) 0310601

- (51) **LOC (7) Cl.** **06-04**
- (52) **U.S. Cl.** **D6/634; D6/407; D6/629;**
D6/632; D6/635; D6/408
- (58) **Field of Search** **D19/75, 76, 90;**
D6/407, 626-635; 206/307.1, 308.1, 308.2,
308.3, 309, 311, 312, 387.11, 387.12, 387.15;
211/40

(56) **References Cited**

U.S. PATENT DOCUMENTS

- D138,337 S * 7/1944 Braloff
- D175,997 S * 11/1955 Arellano, Jr.
- D266,526 S * 10/1982 Raine D19/76
- D281,464 S * 11/1985 Drake D6/634
- D308,700 S * 6/1990 Leszczak et al. D19/76

- 5,069,361 A * 12/1991 Jeffway, Jr. et al. 221/82
- D332,281 S * 1/1993 Silverman D3/206
- D335,574 S * 5/1993 Roskvist et al. D6/634
- D341,713 S * 11/1993 Tse D6/631
- D359,762 S * 6/1995 Snell D19/76
- D416,583 S * 11/1999 Eddy et al. D19/76
- D427,476 S * 7/2000 Chan D6/634
- D444,021 S * 6/2001 Chan D6/634

* cited by examiner

Primary Examiner—Celia A. Murphy
(74) *Attorney, Agent, or Firm*—Alix, Yale & Ristas, LLP

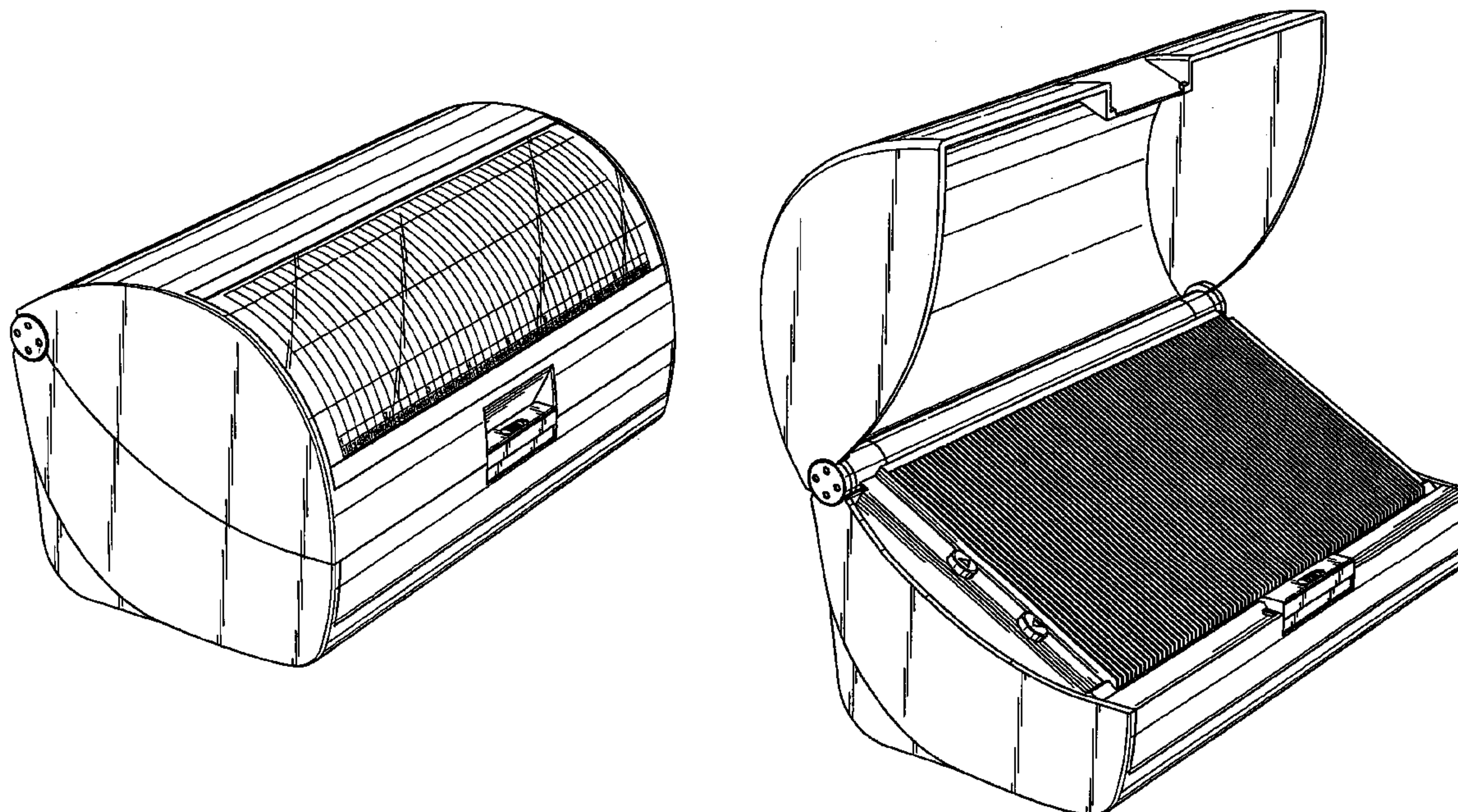
(57) **CLAIM**

The ornamental design for a compact disc holder, as shown and described.

DESCRIPTION

FIG. 1 is a front perspective view of a compact disc holder showing my new design;
 FIG. 2 is a front elevational view thereof;
 FIG. 3 is a rear elevational view thereof;
 FIG. 4 is a left side elevational view thereof;
 FIG. 5 is a right side elevational view thereof;
 FIG. 6 is a top plan view thereof;
 FIG. 7 is a bottom plan view thereof; and,
 FIG. 8 is a front perspective view thereof wherein the lid is in an open position.

1 Claim, 5 Drawing Sheets



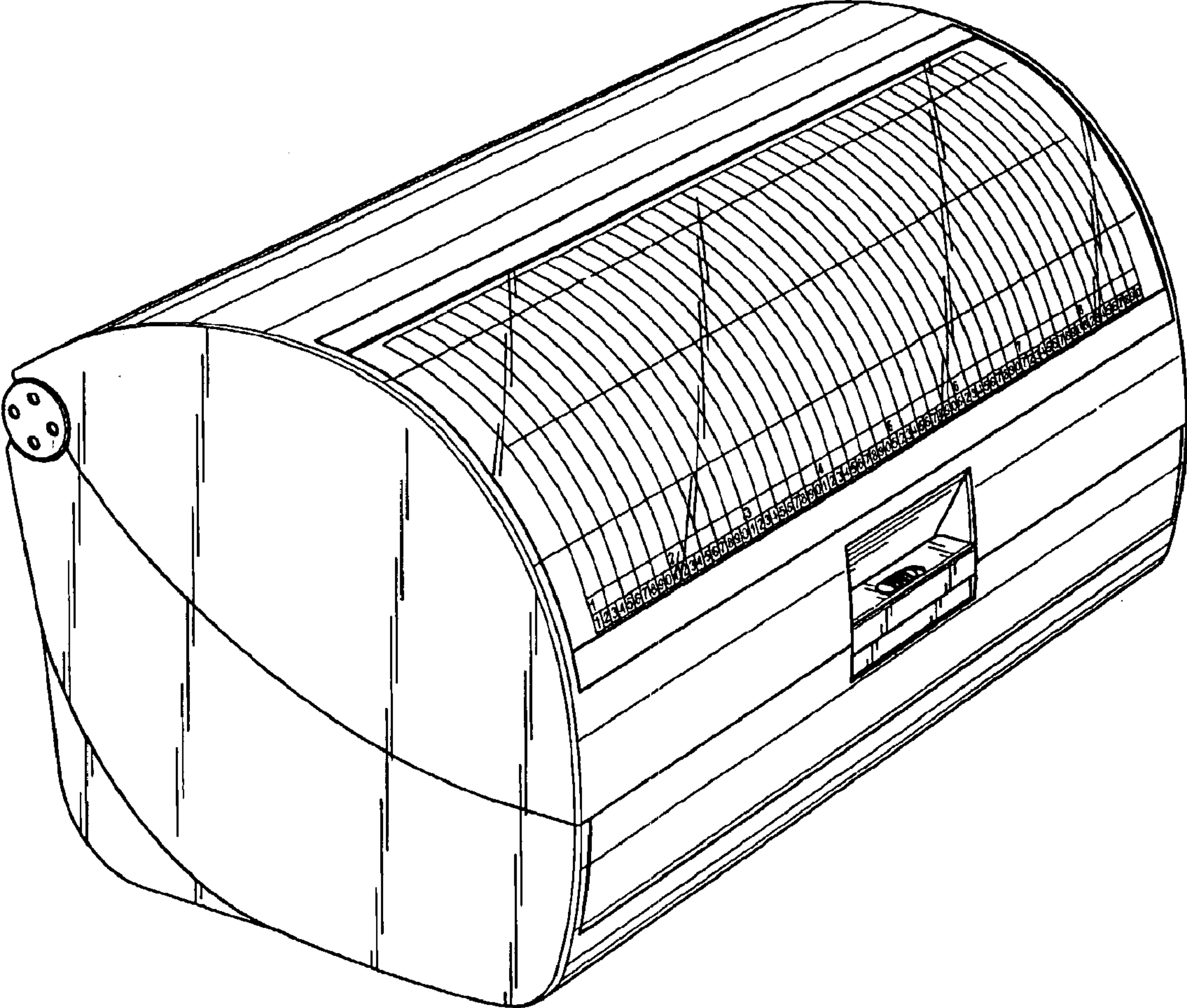


FIG. 1

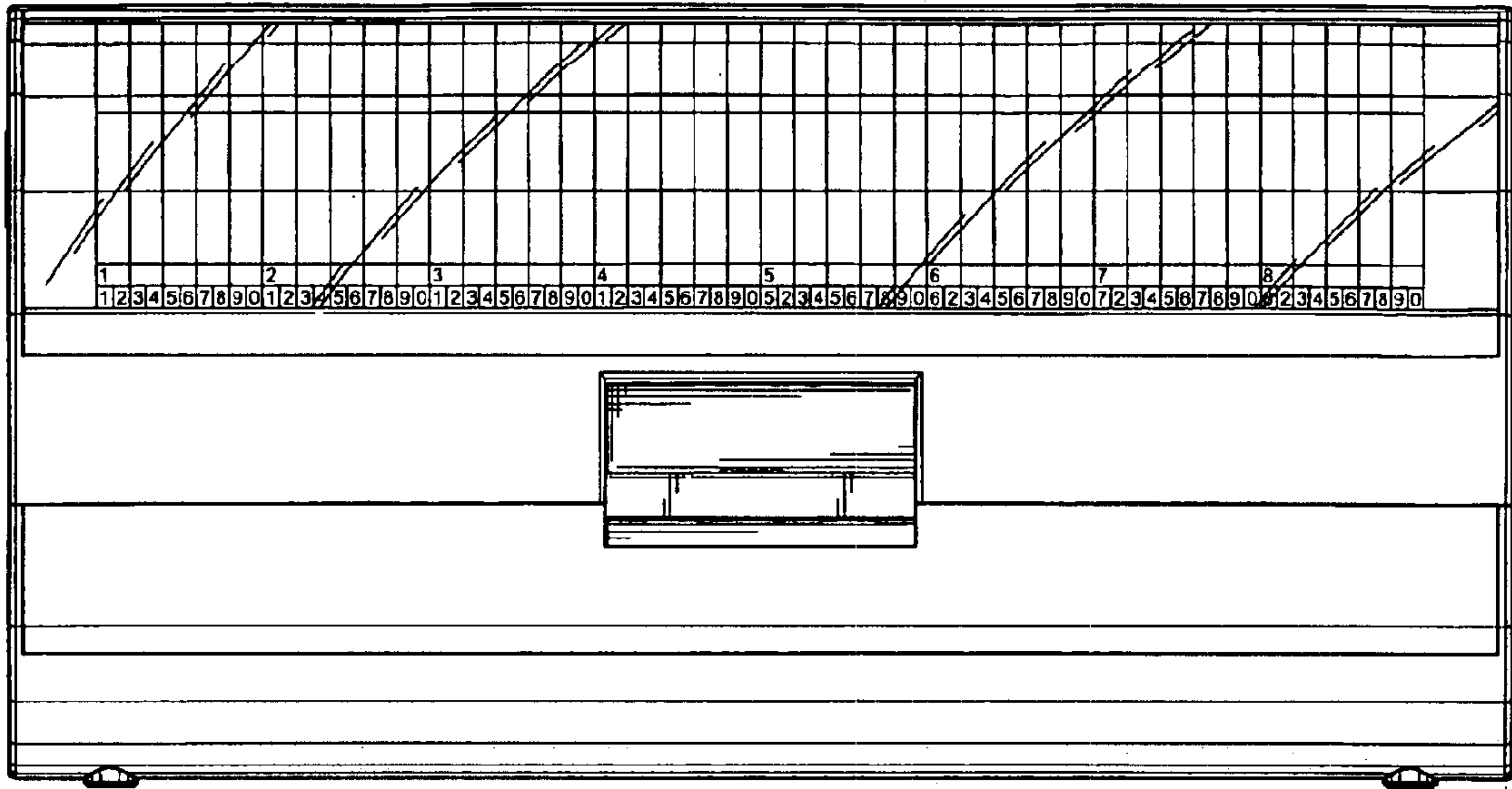


FIG. 2

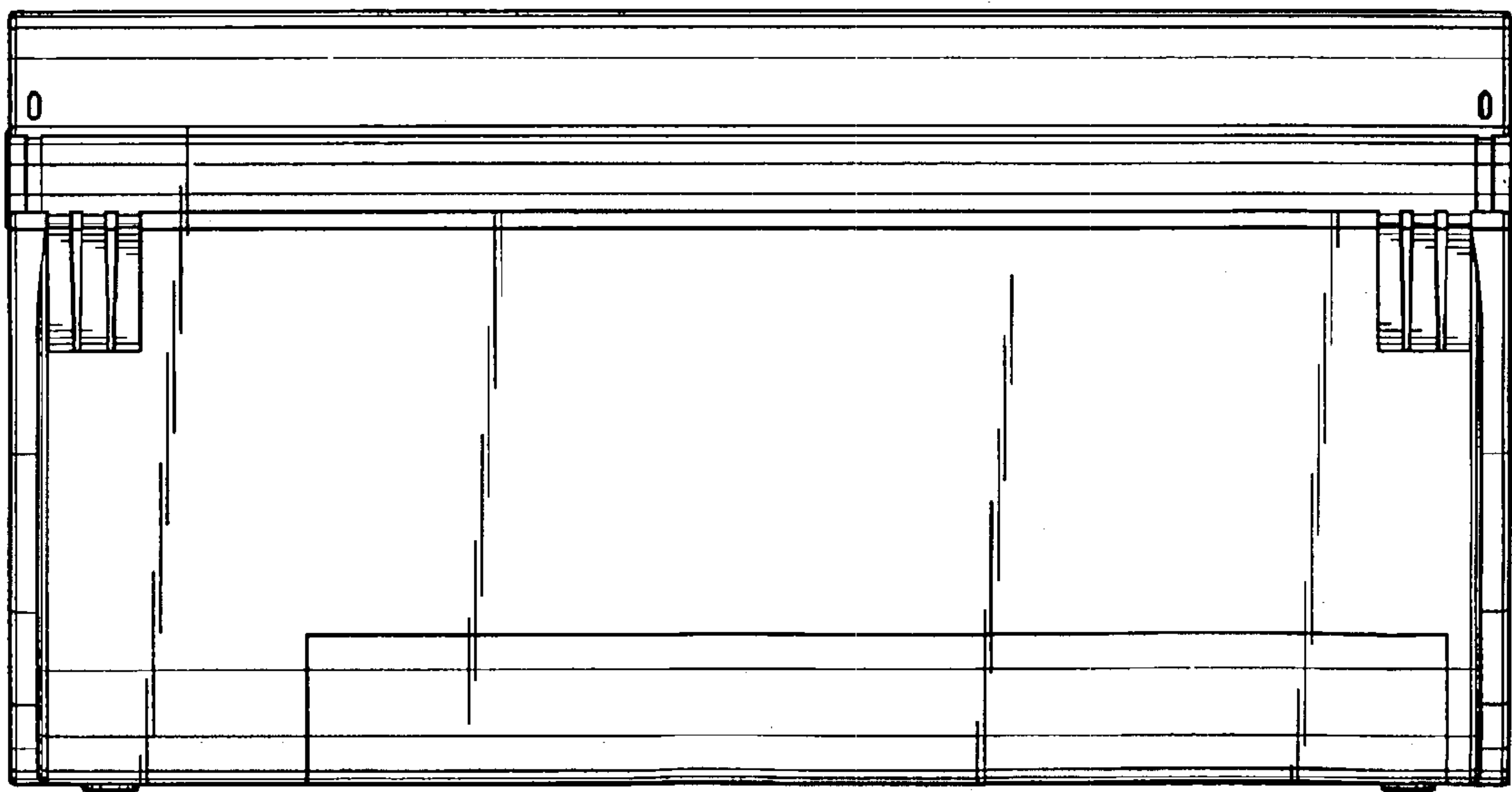


FIG. 3

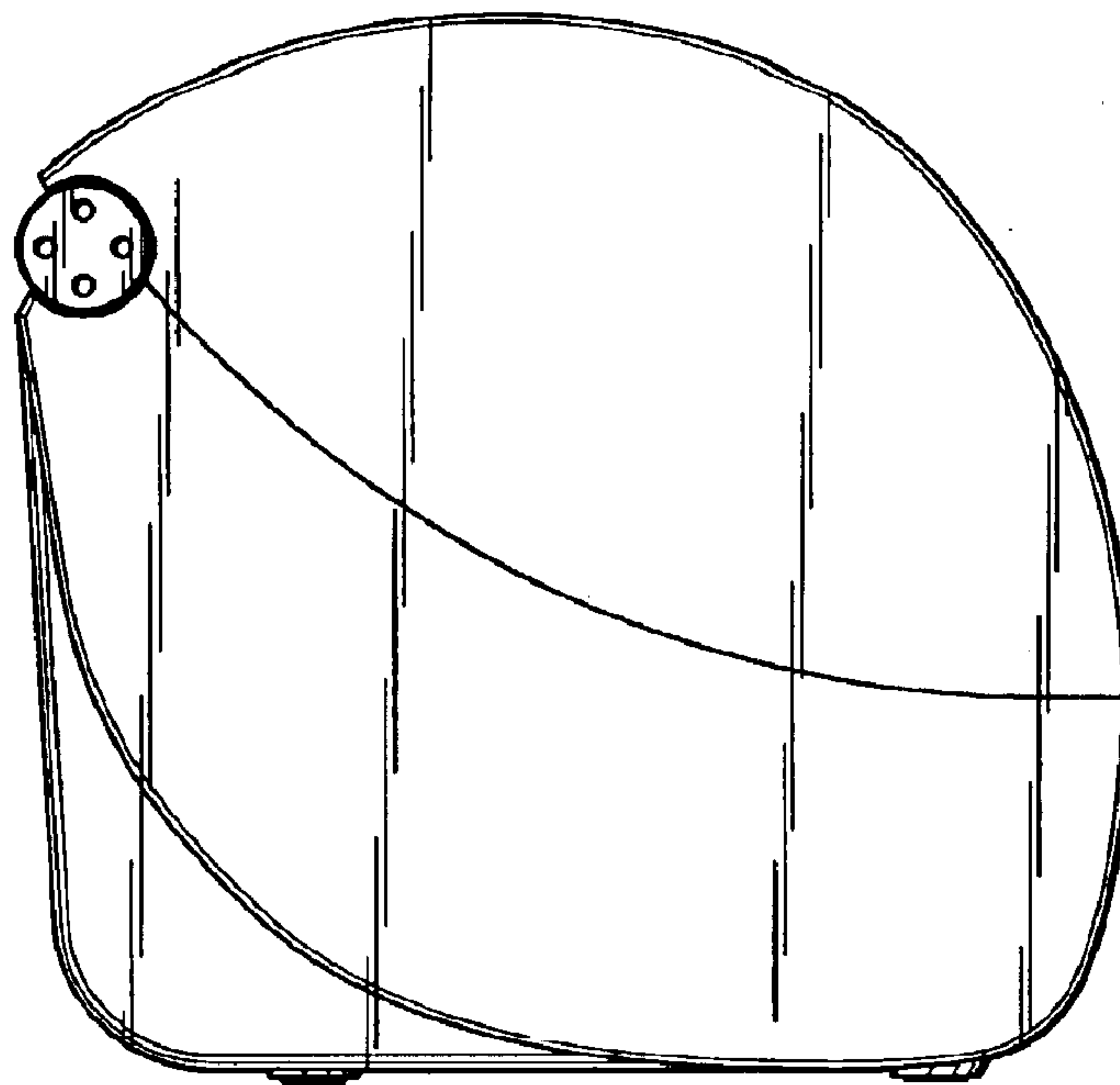


FIG. 4

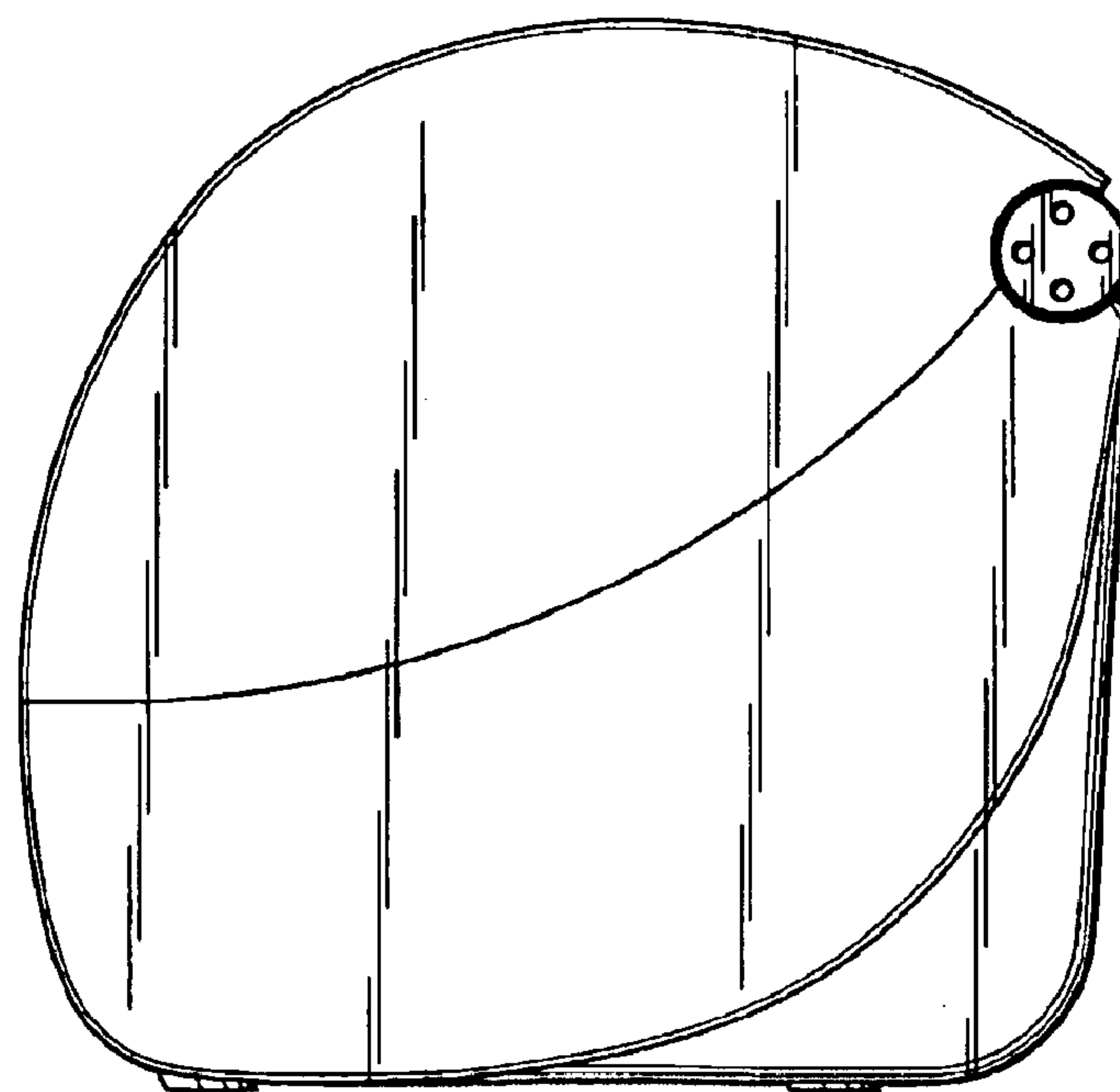


FIG. 5

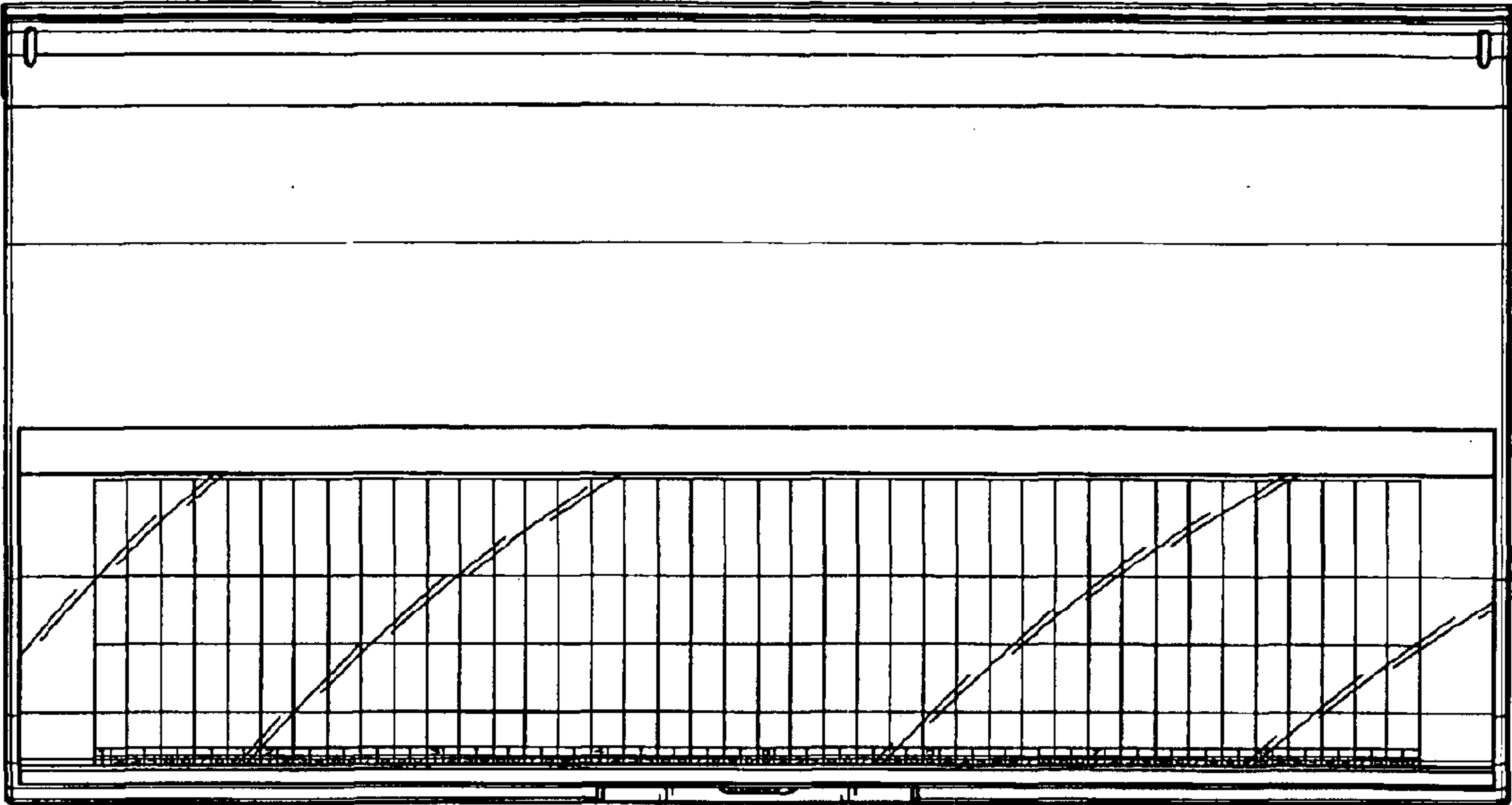


FIG. 6

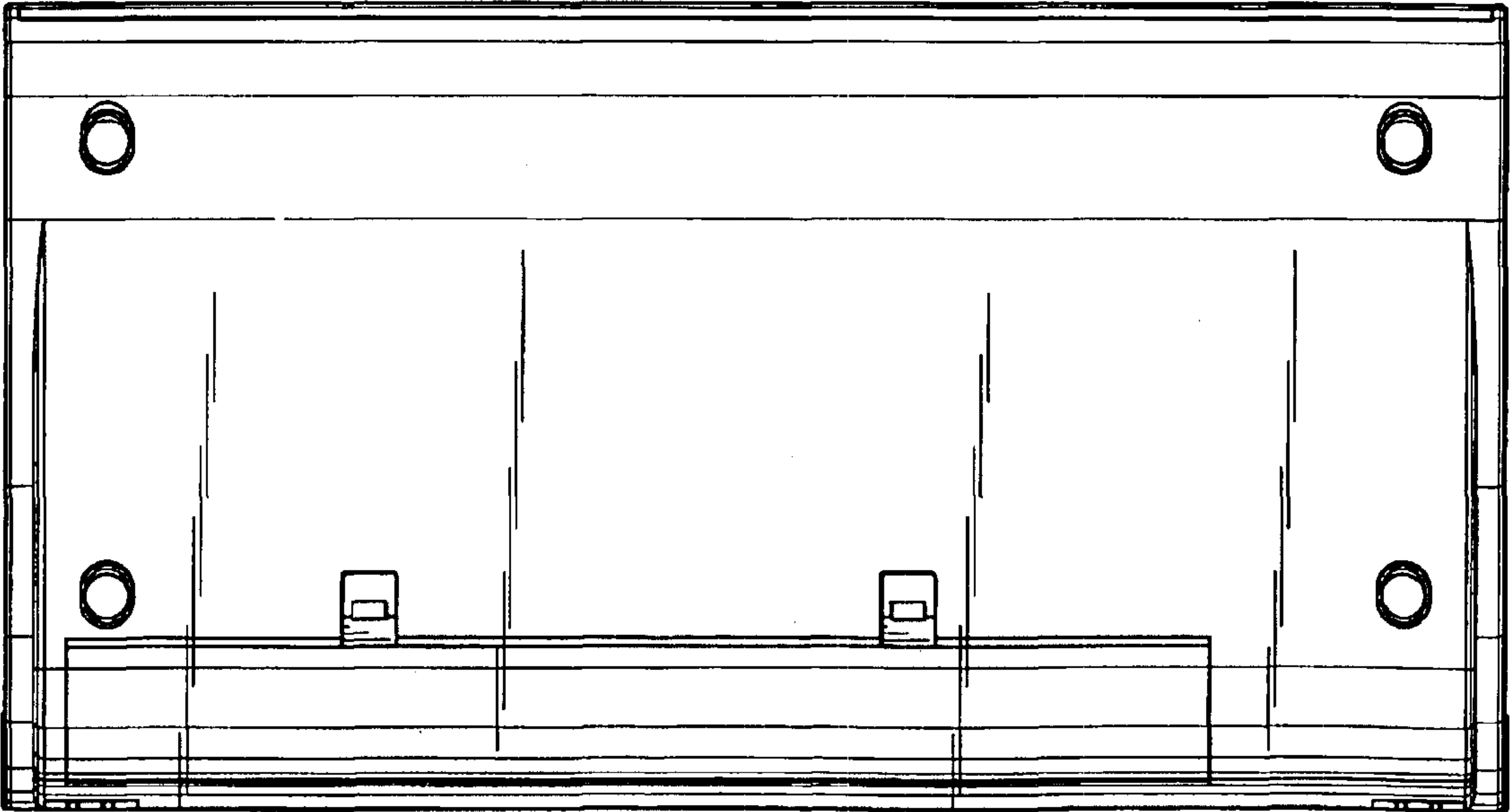


FIG. 7

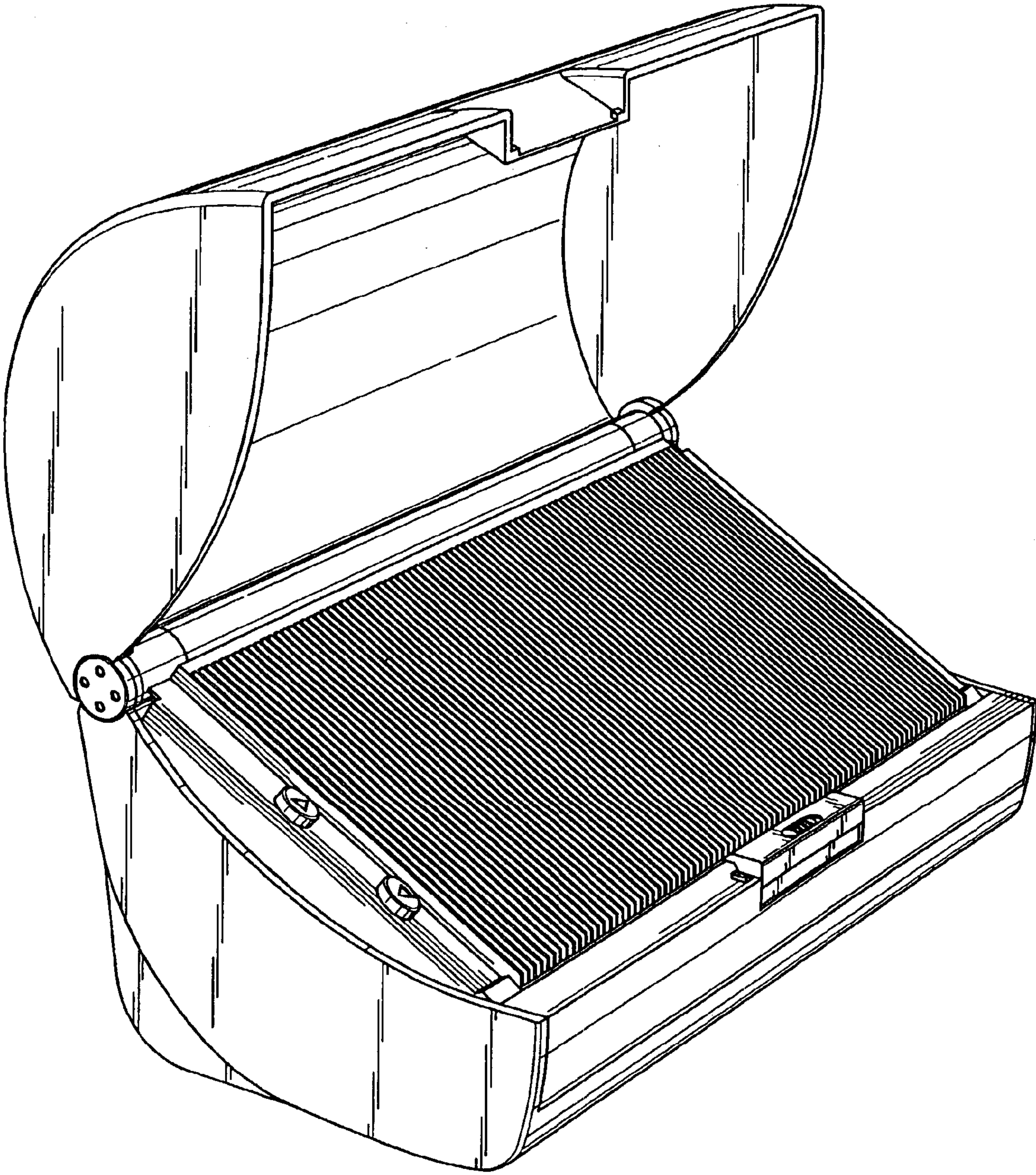


FIG. 8