

US00D502831S

(12) **United States Design Patent**
Parker et al.

(10) **Patent No.:** **US D502,831 S**
(45) **Date of Patent:** **** Mar. 15, 2005**

- (54) **SURFACE ORNAMENTATION FOR FUNERARY ARTICLE**
- (75) Inventors: **Daniel J. Parker**, Connerville, IN (US); **Christopher M. Wessel**, Batesville, IN (US)
- (73) Assignee: **Batesville Services, Inc.**, Batesville, IN (US)
- (**) Term: **14 Years**

- D350,010 S 8/1994 May et al.
- D359,831 S 6/1995 Parker
- D381,901 S 8/1997 Alig et al.
- D420,232 S 2/2000 Paus
- D444,932 S 7/2001 Greiwe et al.
- 6,317,942 B1 11/2001 Hankel et al.
- D462,128 S 8/2002 Careri
- D462,455 S 9/2002 Careri
- D491,334 S * 6/2004 Parker et al. D99/1
- D497,233 S * 10/2004 Parker et al. D99/1
- D497,234 S * 10/2004 Parker et al. D99/1

- (21) Appl. No.: **29/194,330**
- (22) Filed: **Nov. 21, 2003**

Related U.S. Application Data

- (63) Continuation-in-part of application No. 29/176,334, filed on Feb. 24, 2003, now Pat. No. Des. 497,233.
- (51) **LOC (7) Cl.** **99-00**
- (52) **U.S. Cl.** **D6/511; D99/1; D99/8**
- (58) **Field of Search** D99/1-4, 8-16; D5/24, 62, 63; D6/480-489, 511, 615; D20/10, 11; 27/1-10

(56) **References Cited**

U.S. PATENT DOCUMENTS

- D63,357 S * 11/1923 Clarke D6/511
- 1,912,279 A 6/1933 Kincaid
- D161,470 S 1/1951 Lager
- D344,421 S * 2/1994 Keller D6/484

OTHER PUBLICATIONS

Joh, Enschede and Sons, *The Enschede Catalog of Typographic Borders and Ornaments*, Dover. p. 6, #141 #101.

* cited by examiner

Primary Examiner—Paula A. Greene

(74) *Attorney, Agent, or Firm*—Wood, Herron & Evans, L.L.P.

(57) **CLAIM**

The ornamental design for surface ornamentation for funerary article, as shown and described.

DESCRIPTION

FIG. 1 is a perspective view of our new, original and ornamental design for surface ornamentation for funerary article; and,
FIG. 2 is a top view thereof.

1 Claim, 1 Drawing Sheet

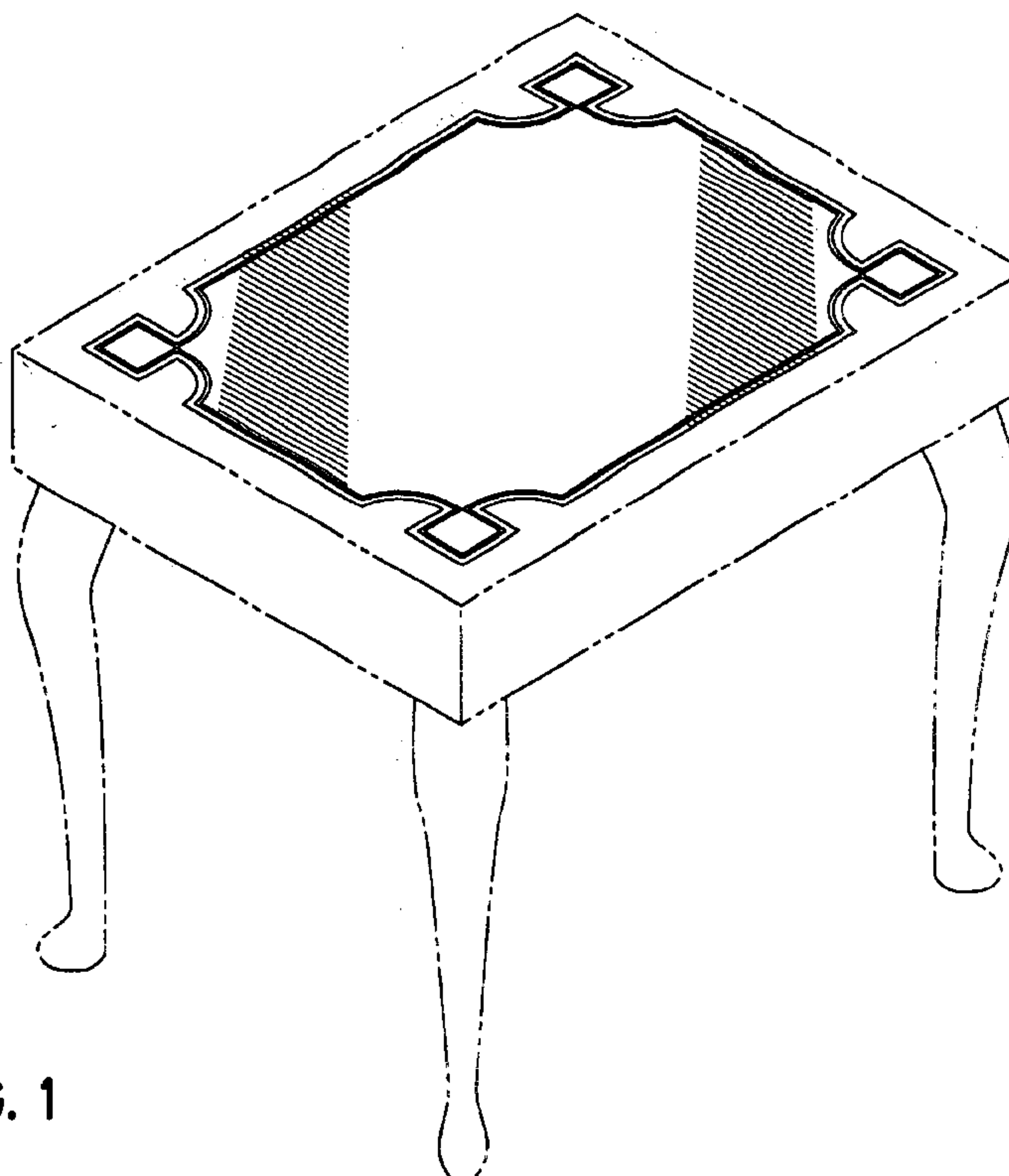


FIG. 1

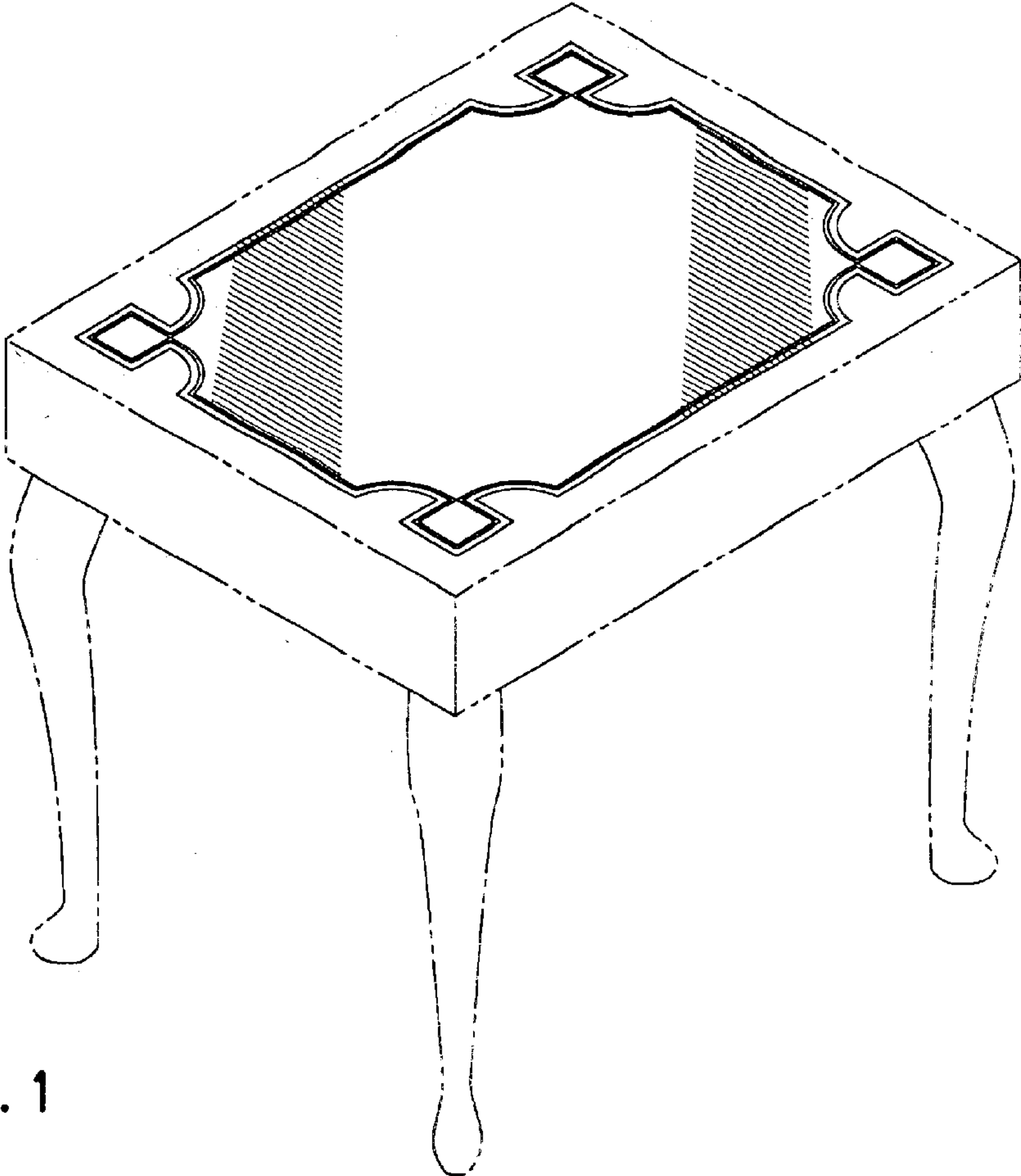


FIG. 1

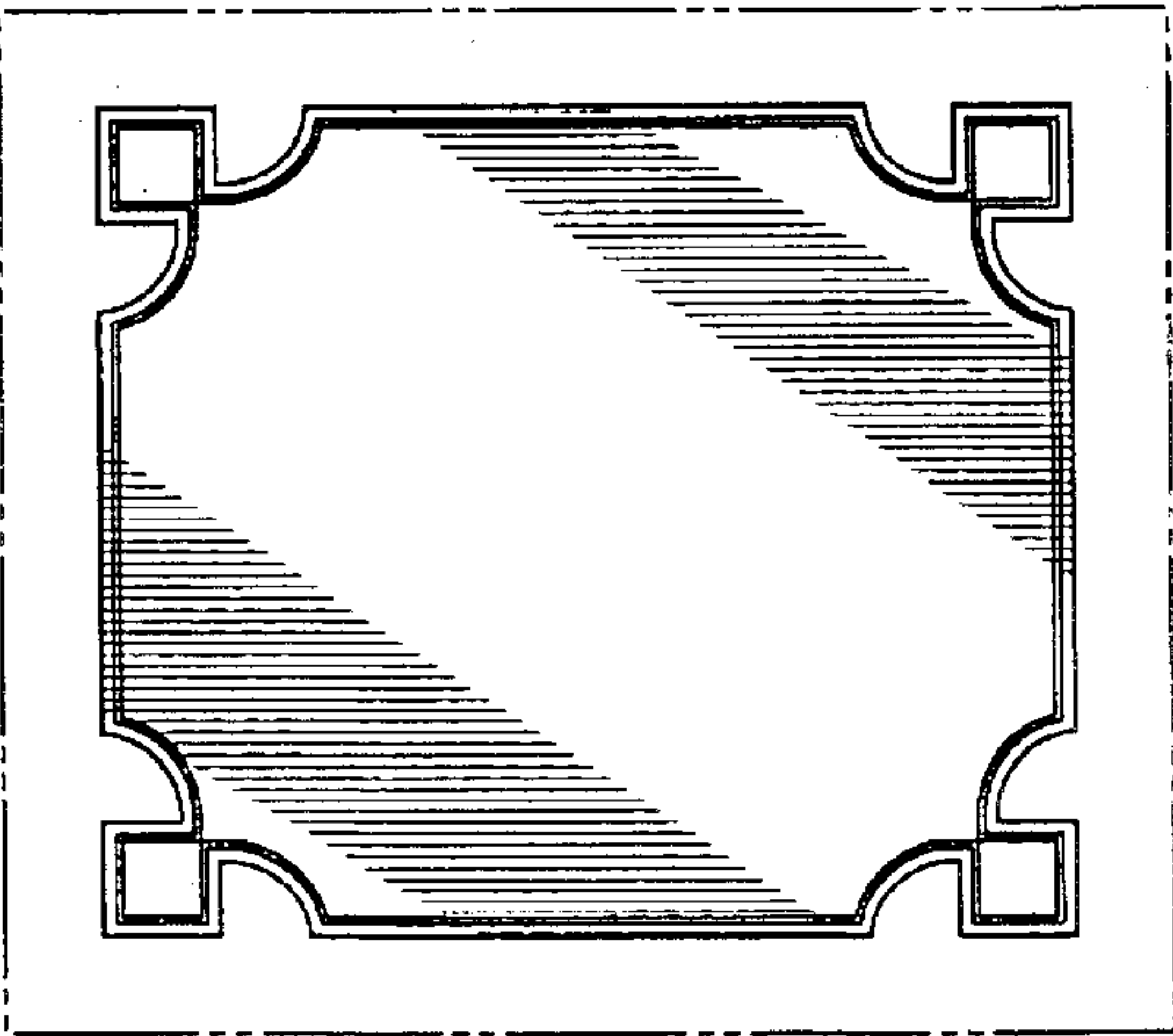


FIG. 2