

US00D502830S

(12) **United States Design Patent**
Inada et al.

(10) **Patent No.:** **US D502,830 S**
(45) **Date of Patent:** **** Mar. 15, 2005**

(54) **FOOT REST FOR A MASSAGE CHAIR**

(75) Inventors: **Nichimu Inada**, Osaka (JP); **Noritsugu Kawamura**, Hirakata (JP)

(73) Assignee: **Family Company, Ltd.**, Osaka (JP)

(**) Term: **14 Years**

(21) Appl. No.: **29/201,753**

(22) Filed: **Mar. 18, 2004**

(30) **Foreign Application Priority Data**

Sep. 19, 2003 (JP) 2003-027504

(51) **LOC (7) Cl.** **06-01**

(52) **U.S. Cl.** **D6/501**

(58) **Field of Search** D6/367, 334, 335,
D6/500, 501, 502, 360, 361, 371; 601/149,
100, 99; 5/654

(56) **References Cited**

U.S. PATENT DOCUMENTS

5,462,516	A	*	10/1995	Anderson	601/99
D402,479	S		12/1998	Inada		
D418,990	S	*	1/2000	Oguri et al.	D6/367
D430,974	S	*	9/2000	Yang	D6/367
6,312,400	B1	*	11/2001	Itikawa et al.	601/100
6,315,744	B1	*	11/2001	Inaba	601/149
D462,190	S	*	9/2002	Garcia	D6/367
D471,372	S		3/2003	Inada et al.		
D476,492	S	*	7/2003	Yamamoto et al.	D6/335
D491,375	S	*	6/2004	Yuyama	D6/335
6,782,573	B2	*	8/2004	Odderson	5/654

* cited by examiner

Primary Examiner—Stacia Cadmus

Assistant Examiner—Terrence Huang

(74) *Attorney, Agent, or Firm*—Kolisich Hartwell, P.C.

(57) **CLAIM**

The ornamental design for a foot rest for a massage chair, as shown and described.

DESCRIPTION

FIG. 1 is a front view of a foot rest for a massage chair of the present invention.

FIG. 2 is a rear view of the foot rest of FIG. 1.

FIG. 3 is a top view of the foot rest of FIG. 1.

FIG. 4 is a bottom view of the foot rest of FIG. 1.

FIG. 5 is a left side view of the foot rest of FIG. 1.

FIG. 6 is a right side view of the foot rest of FIG. 1.

FIG. 7 is a perspective view of the foot rest of FIG. 1, from an upper left side perspective.

FIG. 8 is a front view of the foot rest of FIG. 1, shown in an extended configuration in which sides of the foot rest are pushed forward by inflated air cells.

FIG. 9 is a rear view of the foot rest of FIG. 1, shown in the extended configuration.

FIG. 10 is a top view of the foot rest of FIG. 1, shown in the extended configuration.

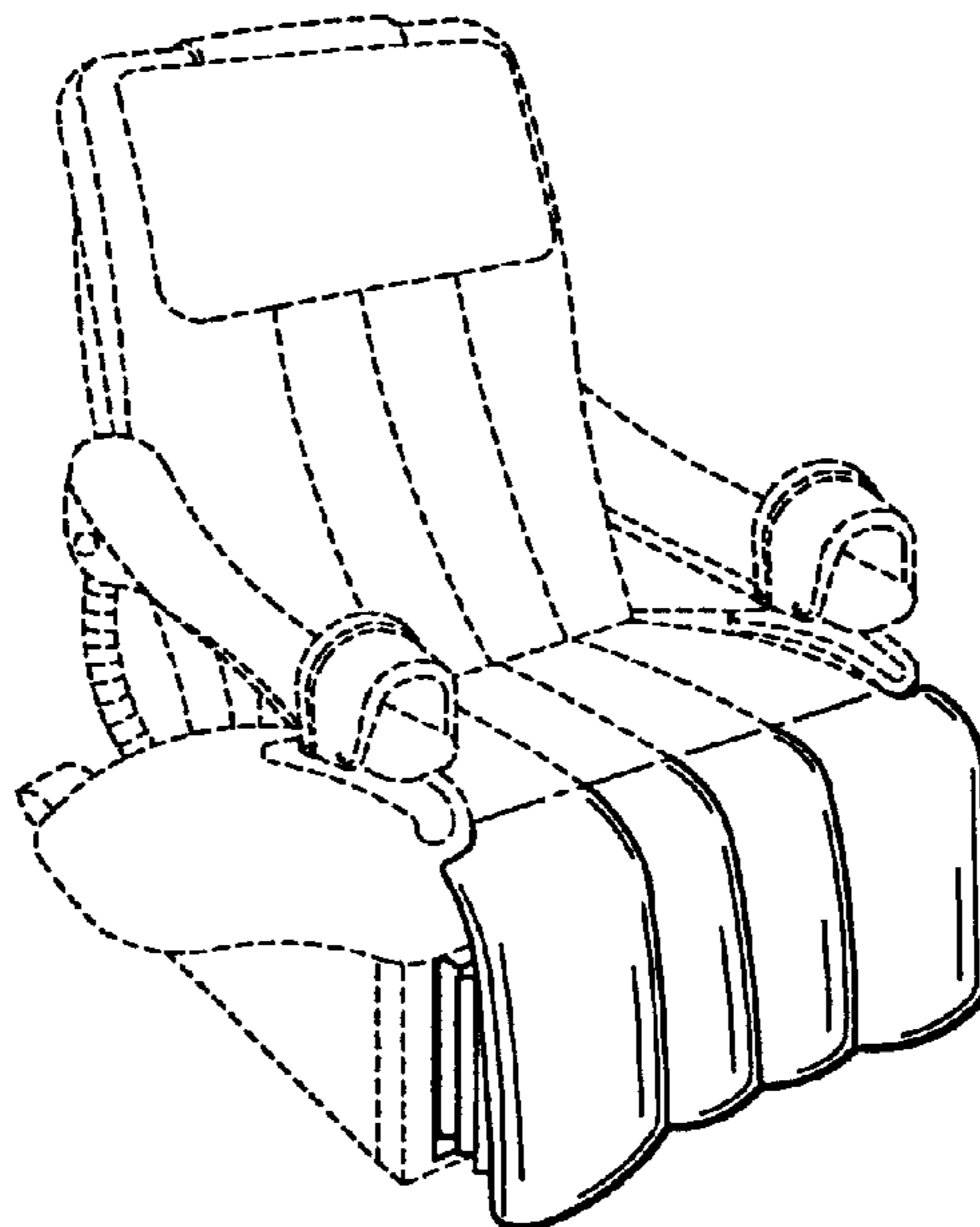
FIG. 11 is a bottom view of the foot rest of FIG. 1, shown in the extended configuration.

FIG. 12 is a left side view of the foot rest of FIG. 1, shown in the extended configuration; and,

FIG. 13 is a right side view of the foot rest of FIG. 1, shown in the extended configuration.

The dash-dot broken lines form a boundary of the claimed design. The remaining broken lines show environment. The broken lines form no part of the claimed design.

1 Claim, 7 Drawing Sheets



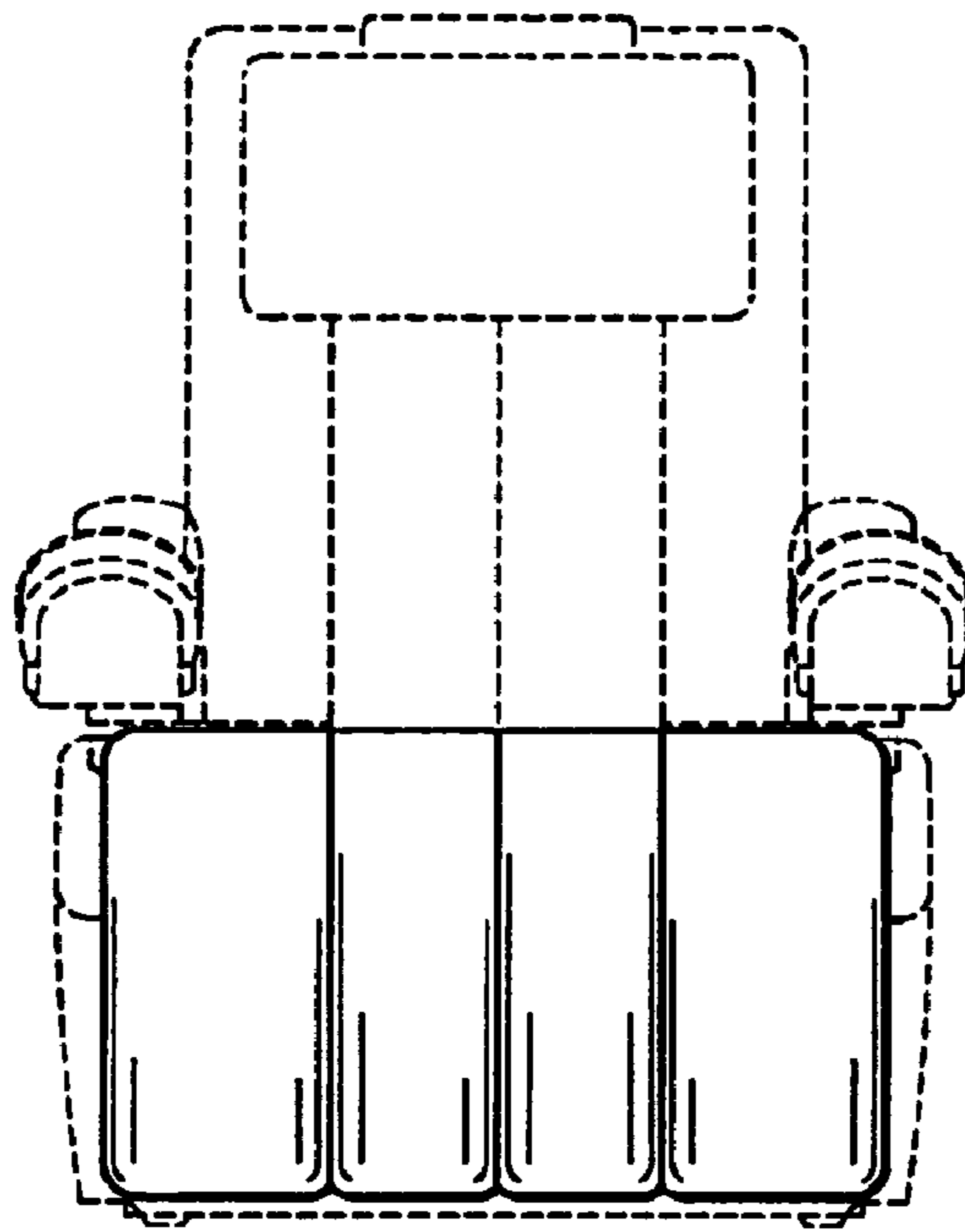


FIG. 1

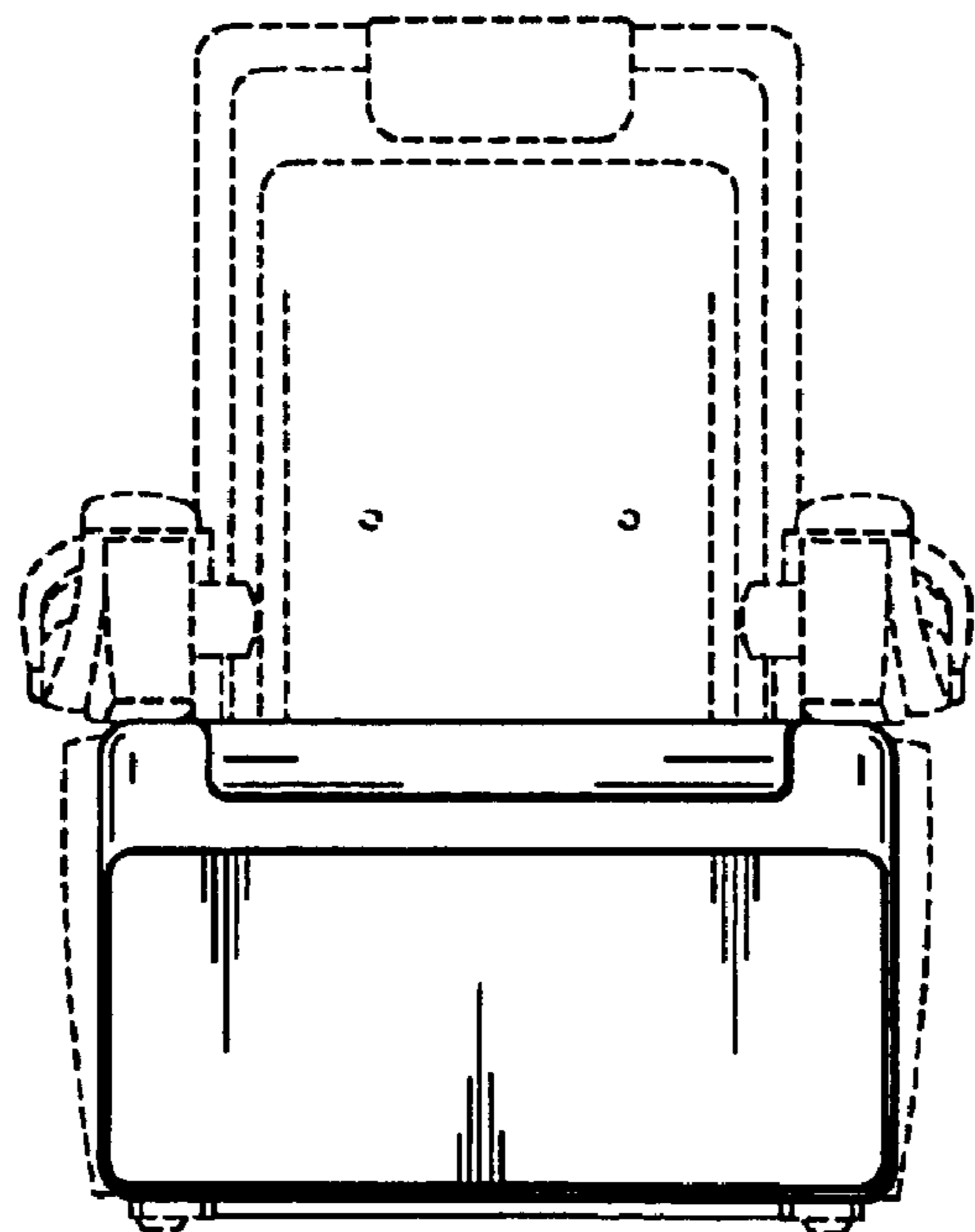


FIG. 2

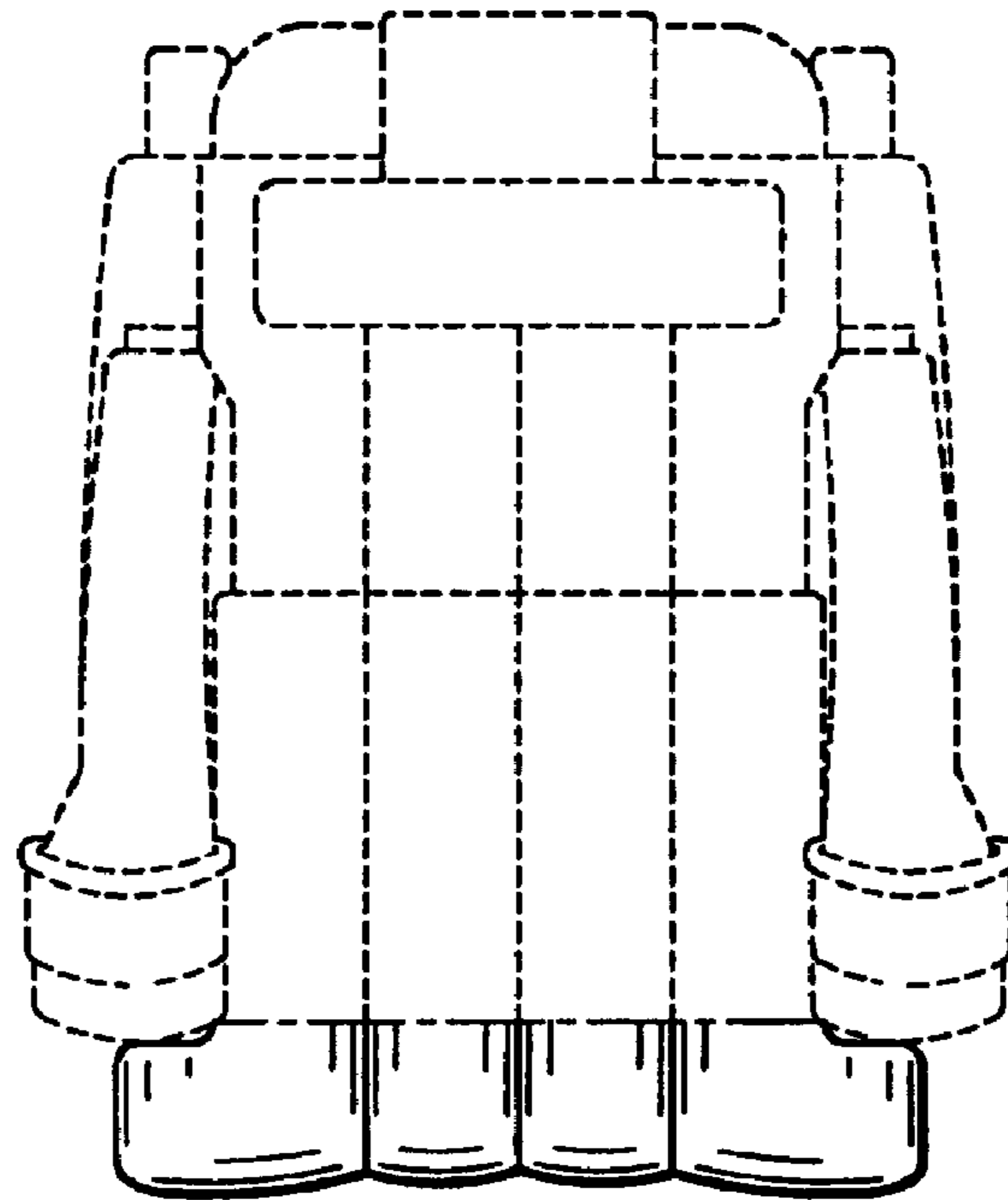


FIG. 3

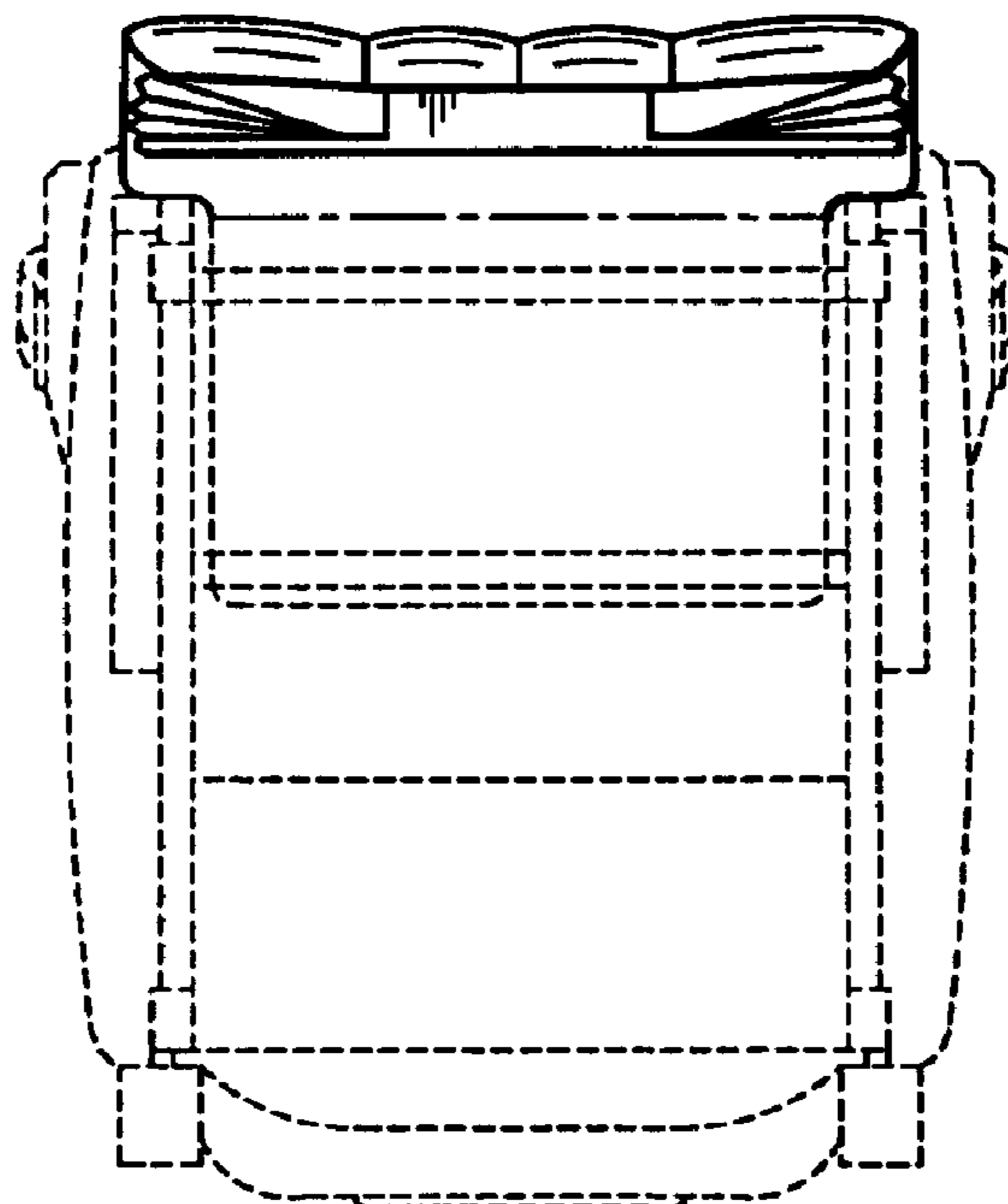


FIG. 4

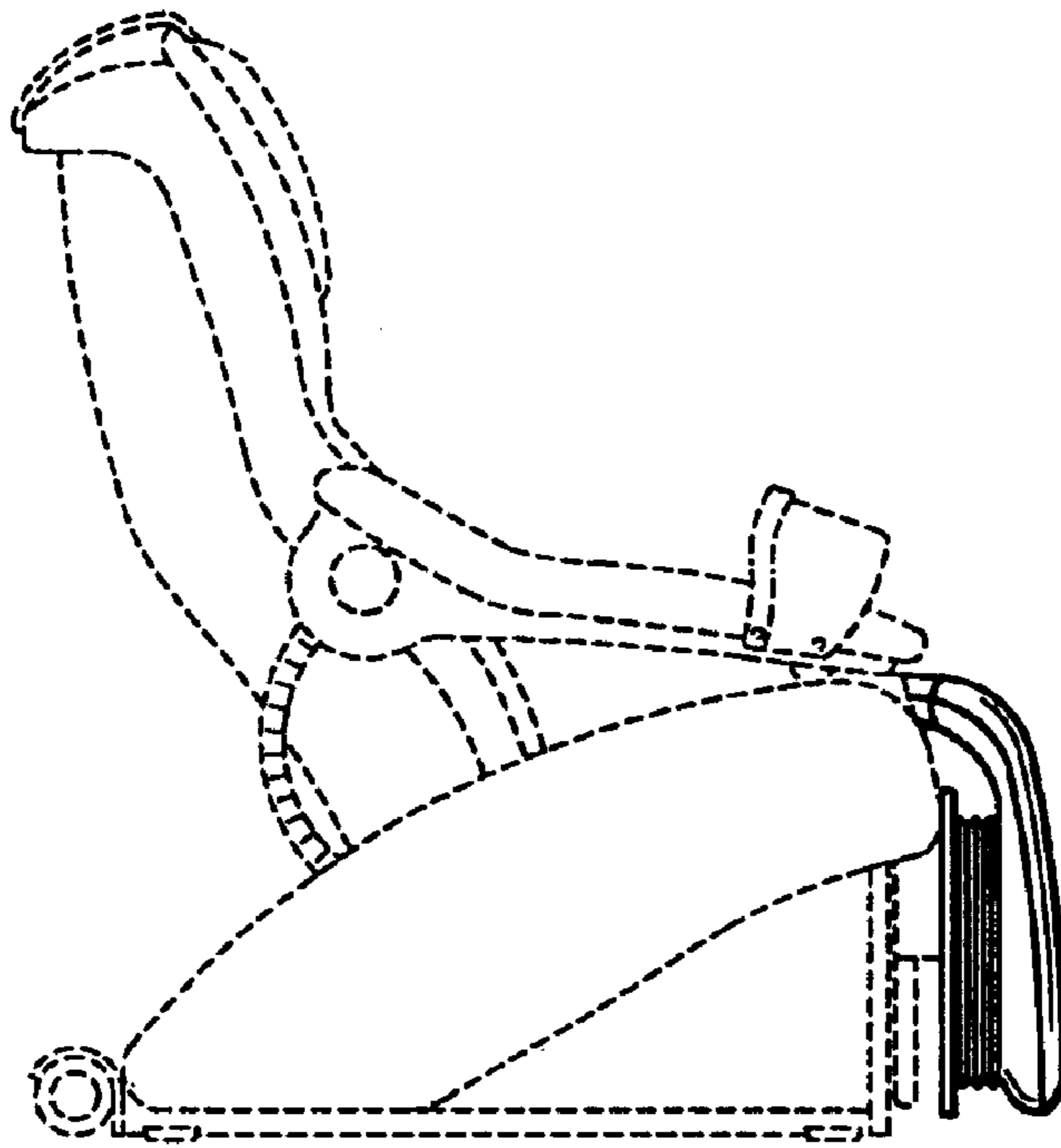


FIG. 5

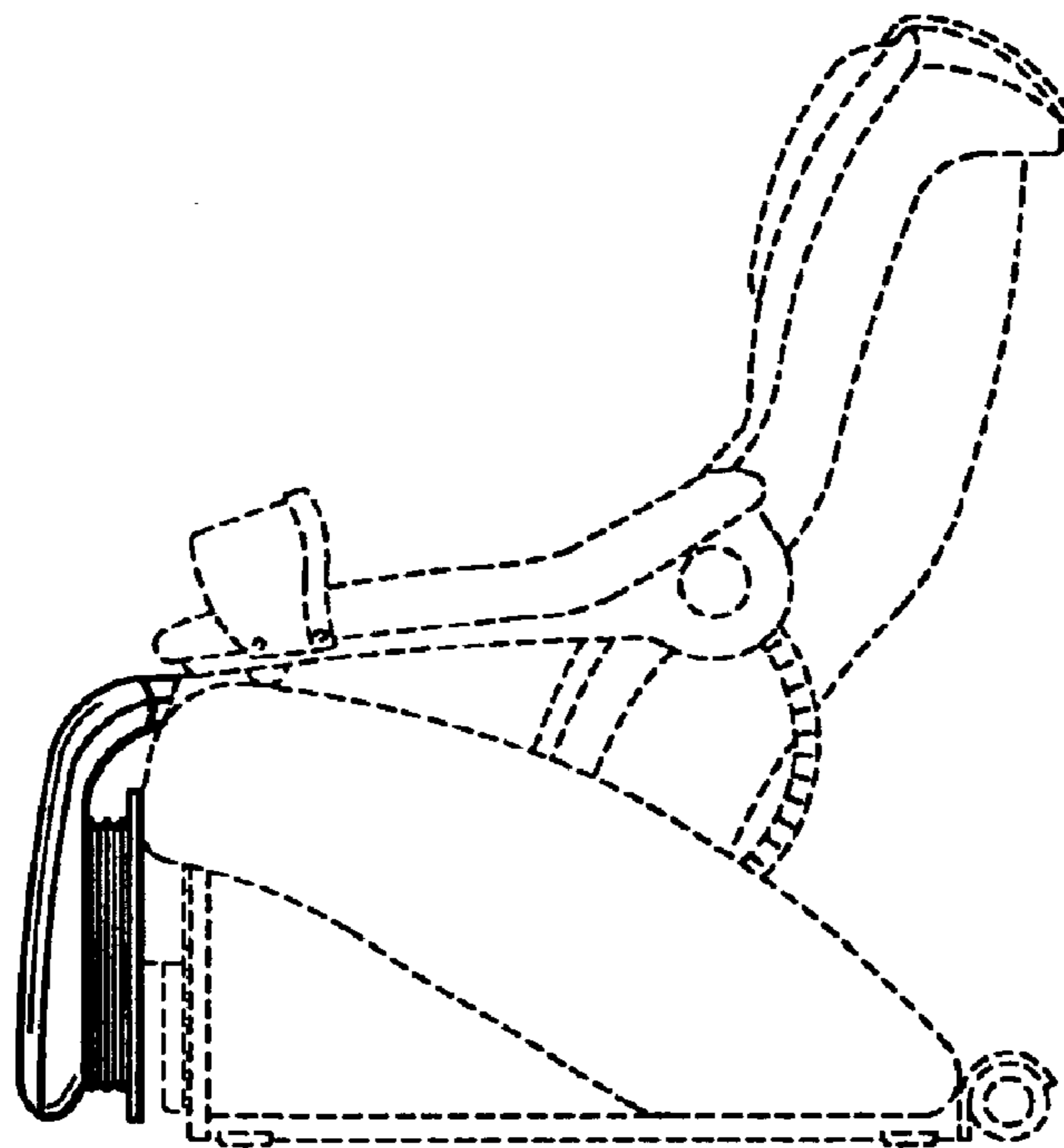


FIG. 6

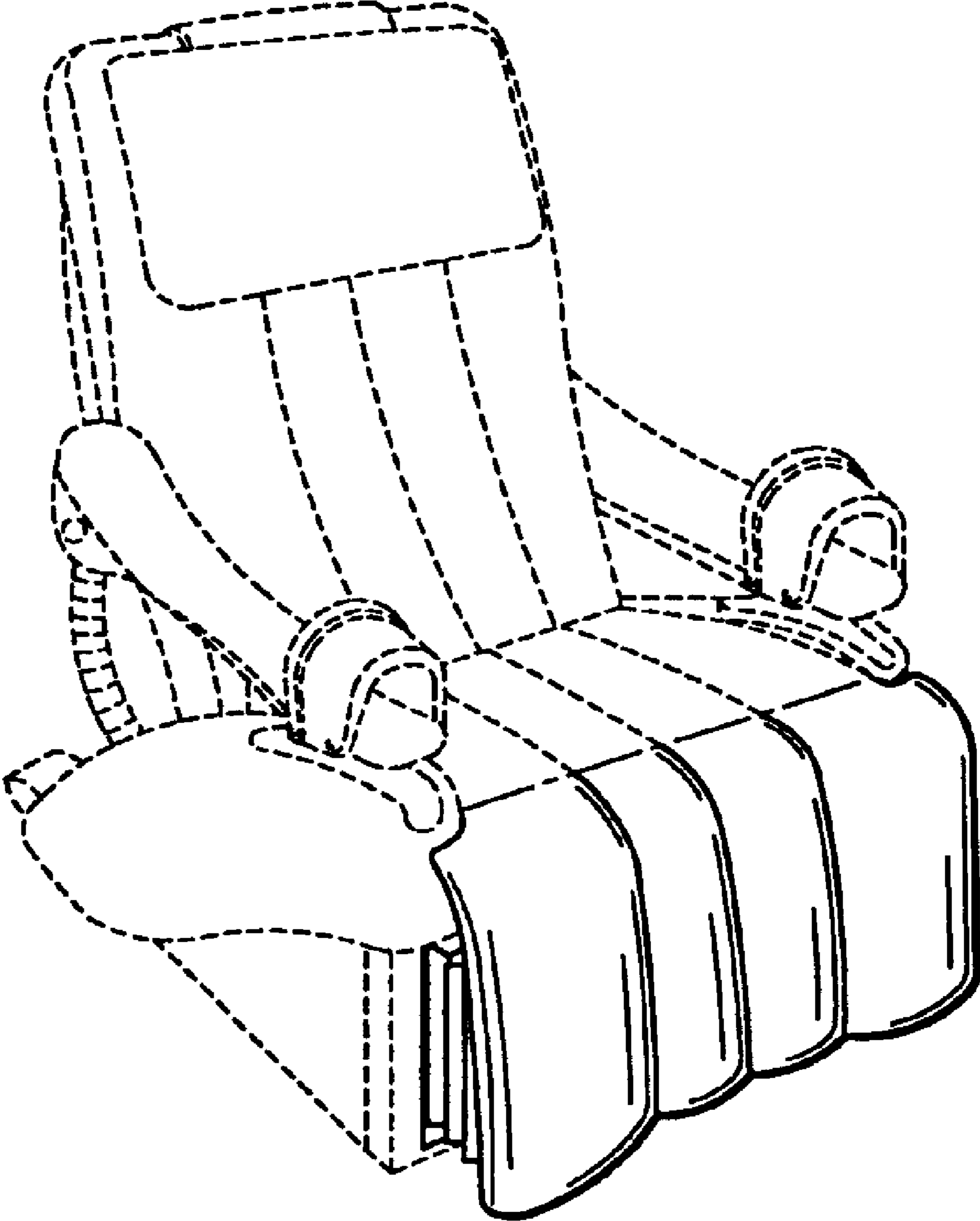


FIG. 7

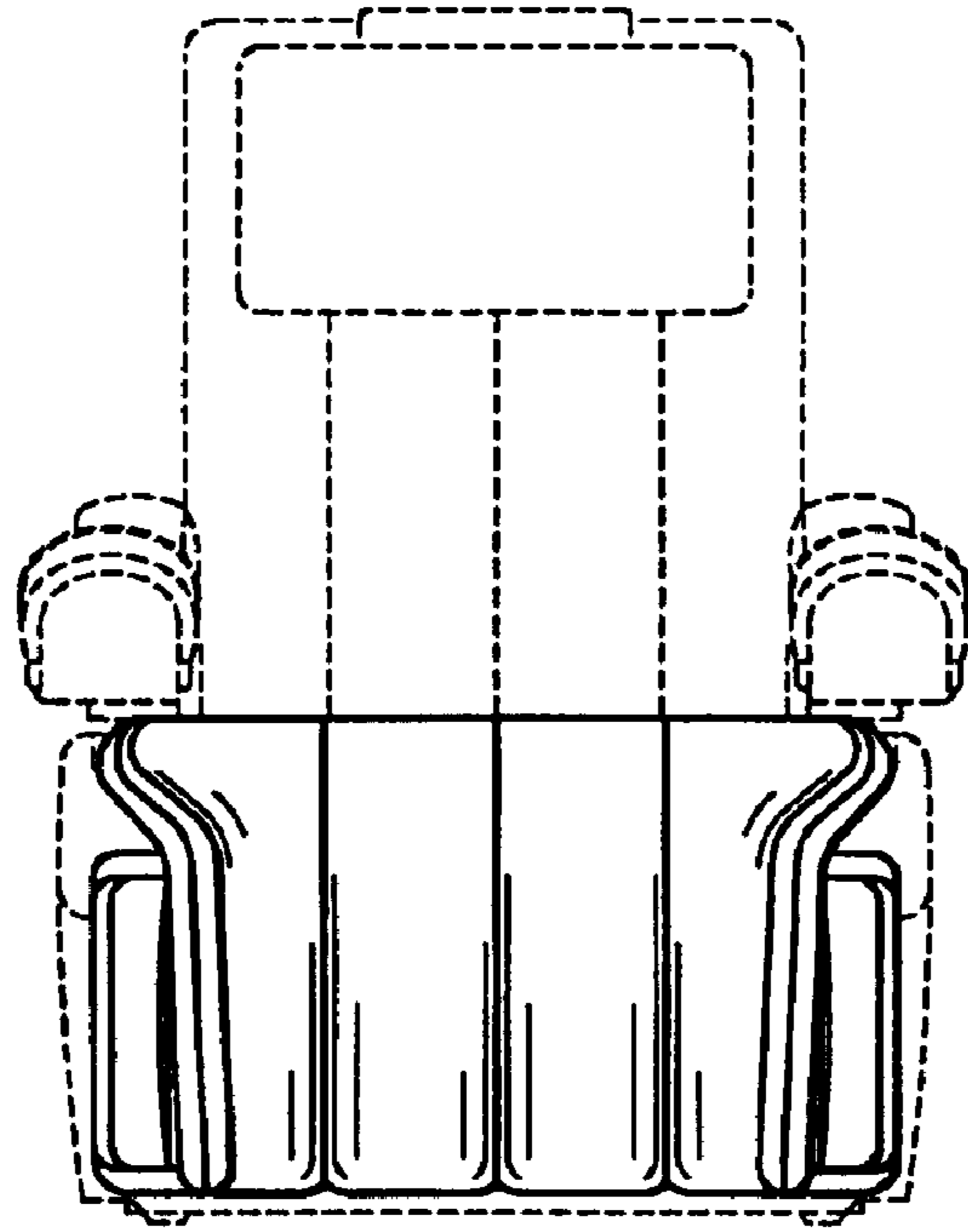


FIG. 8

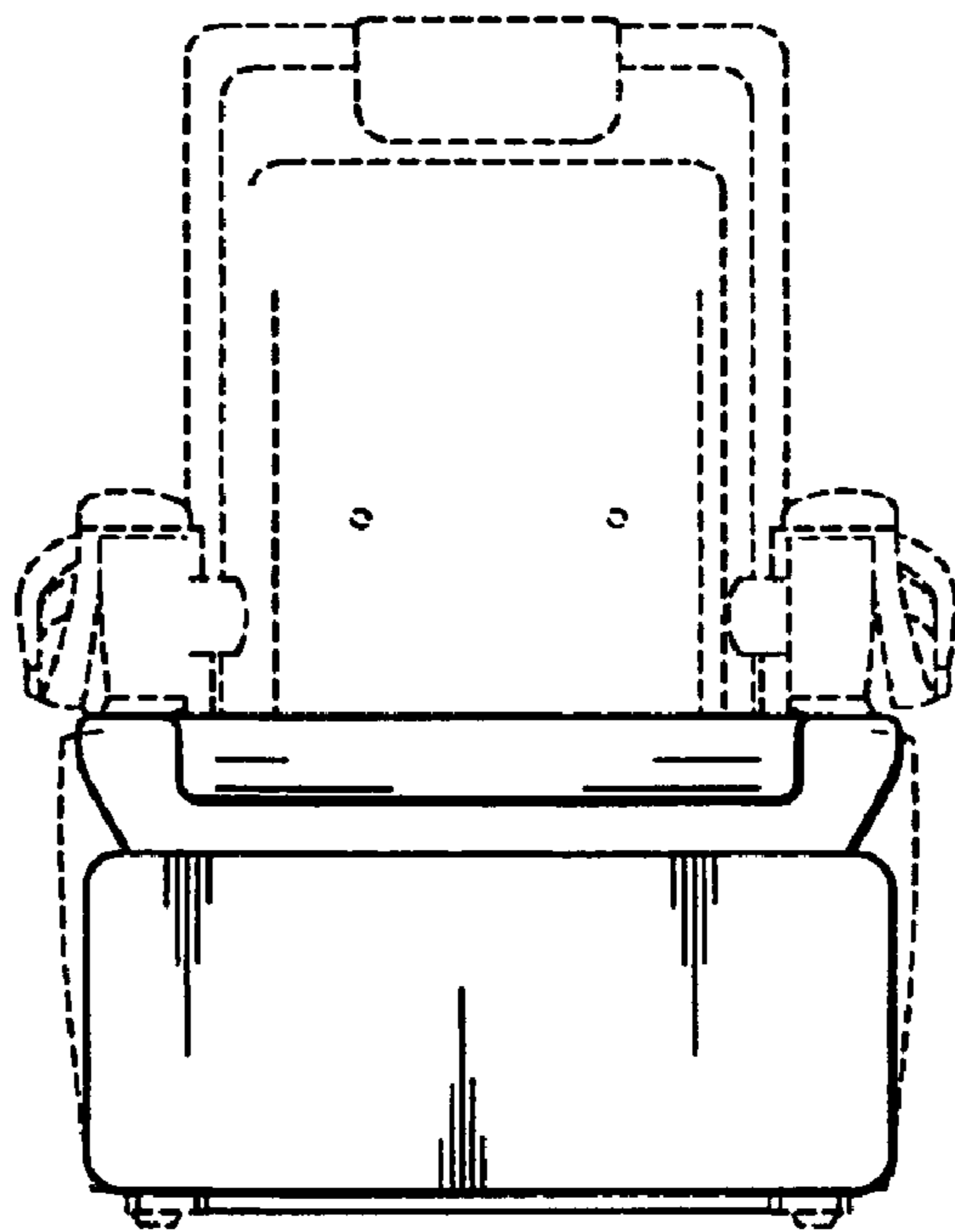


FIG. 9

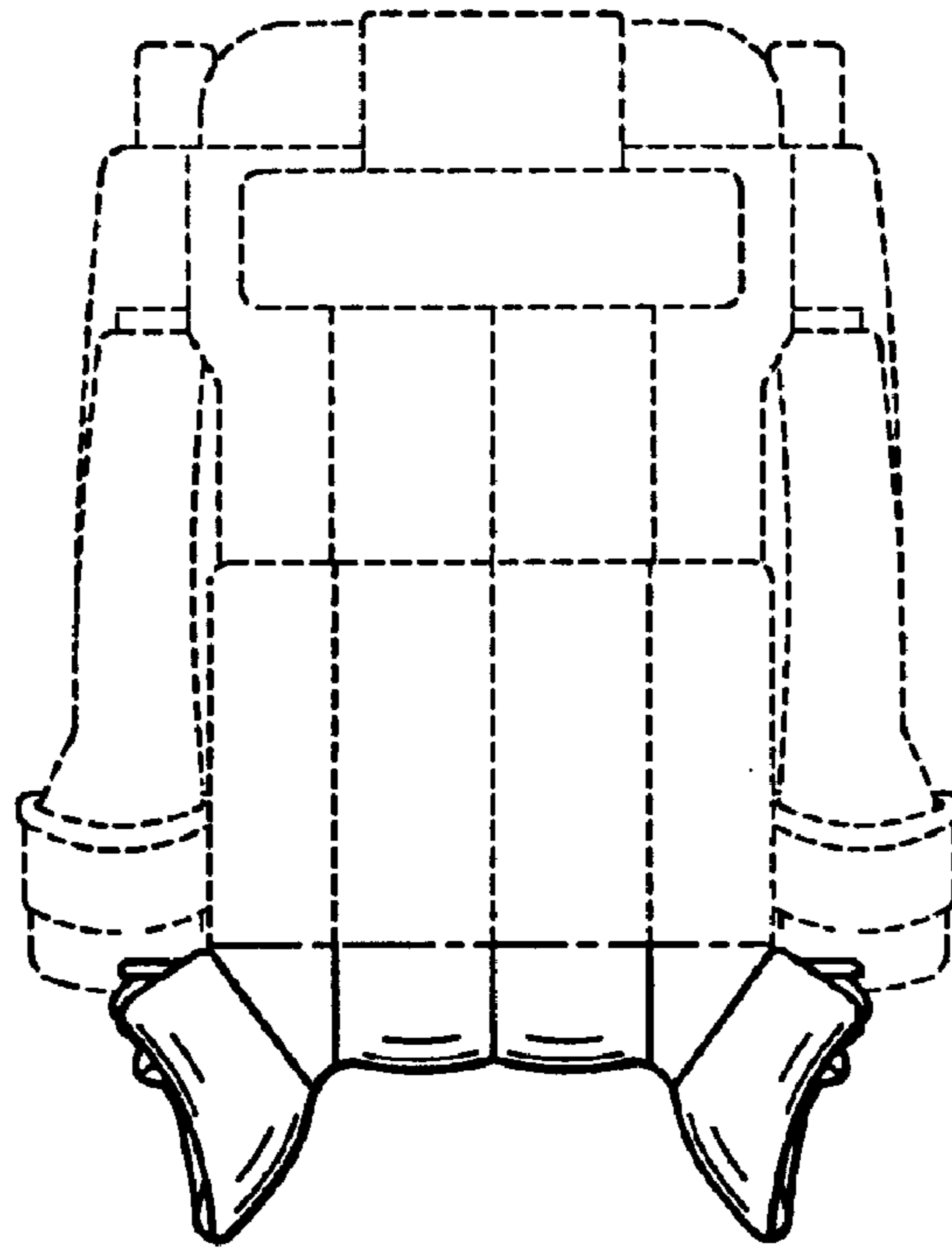


FIG. 10

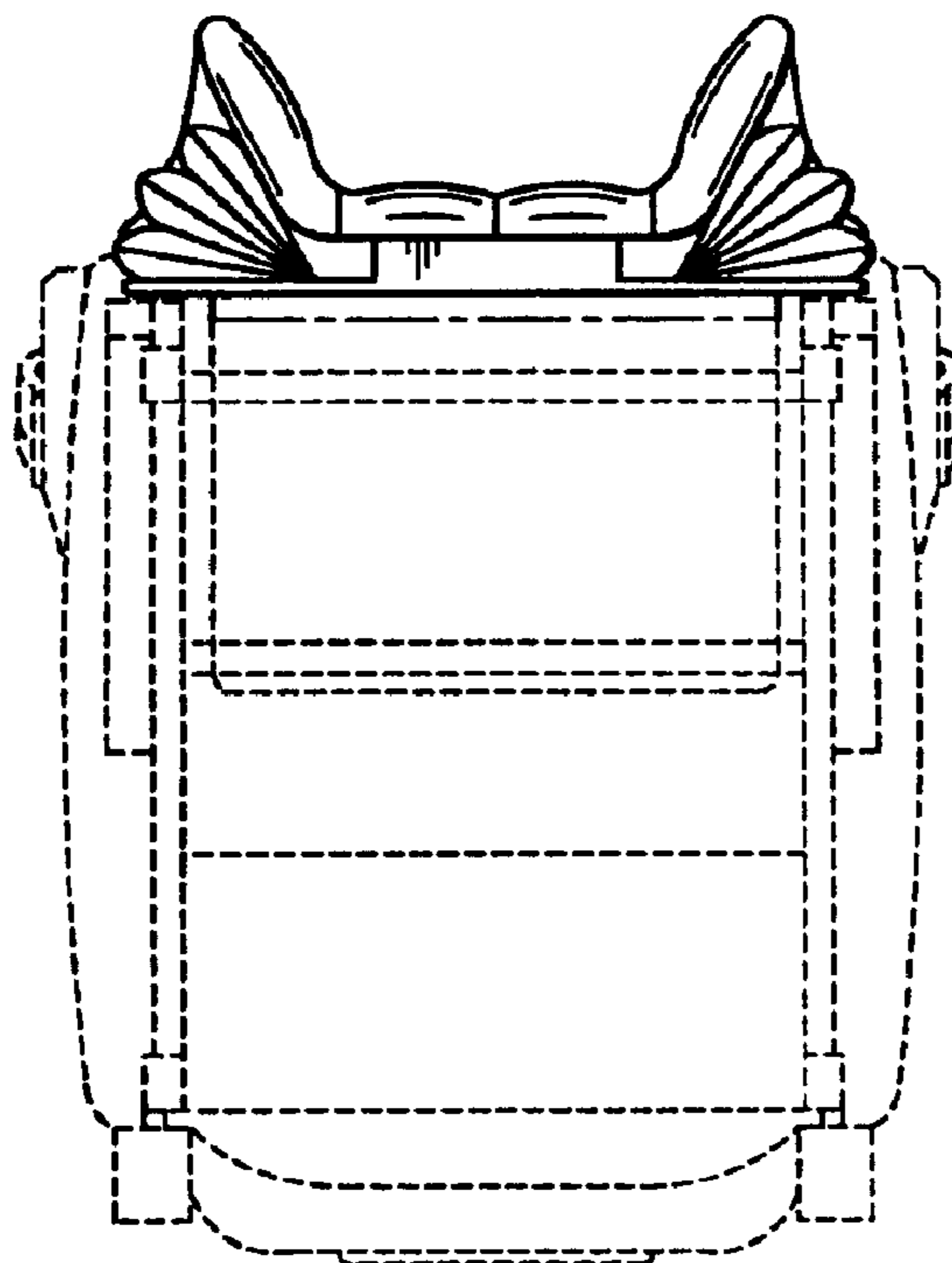


FIG. 11

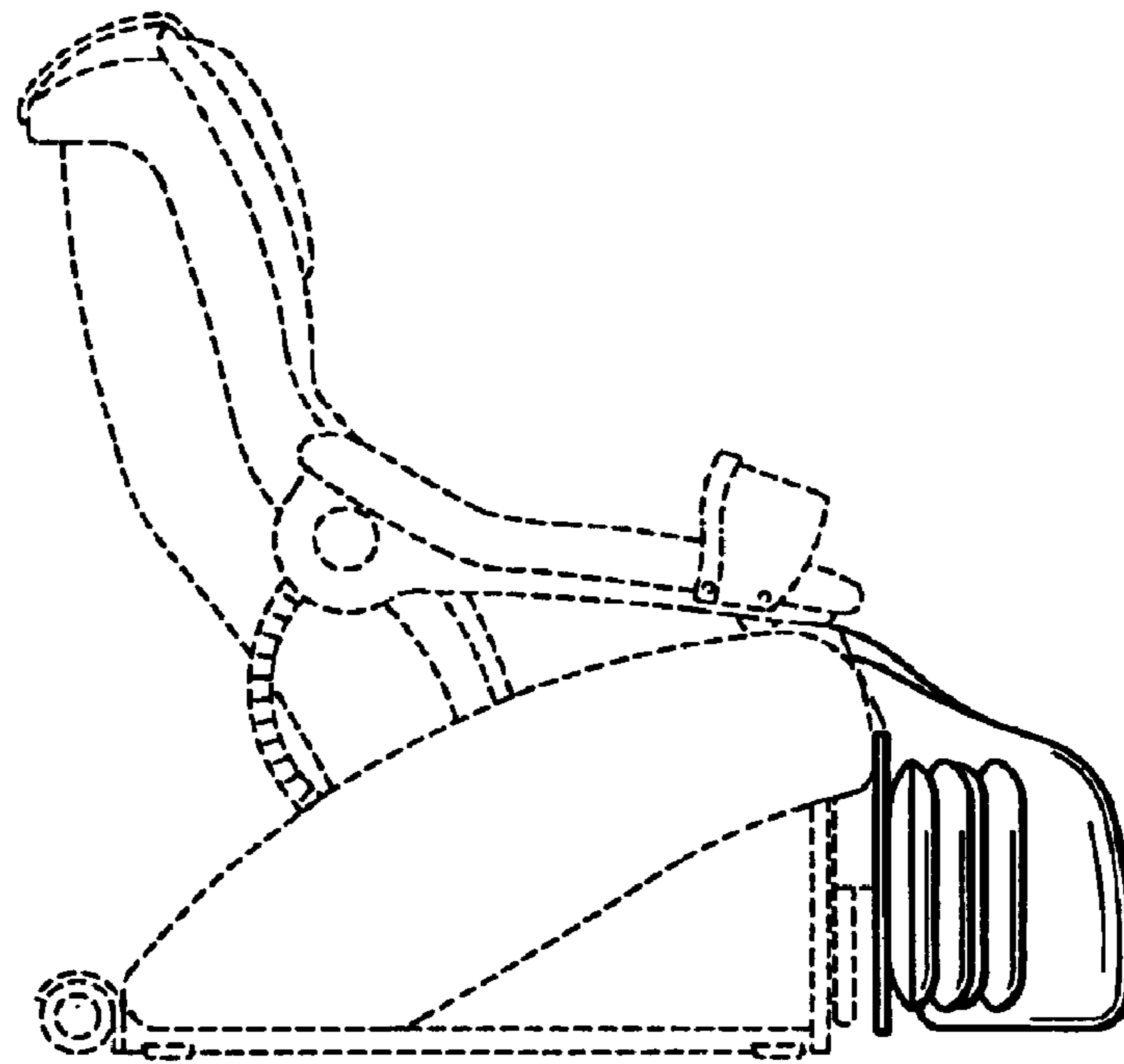


FIG. 12

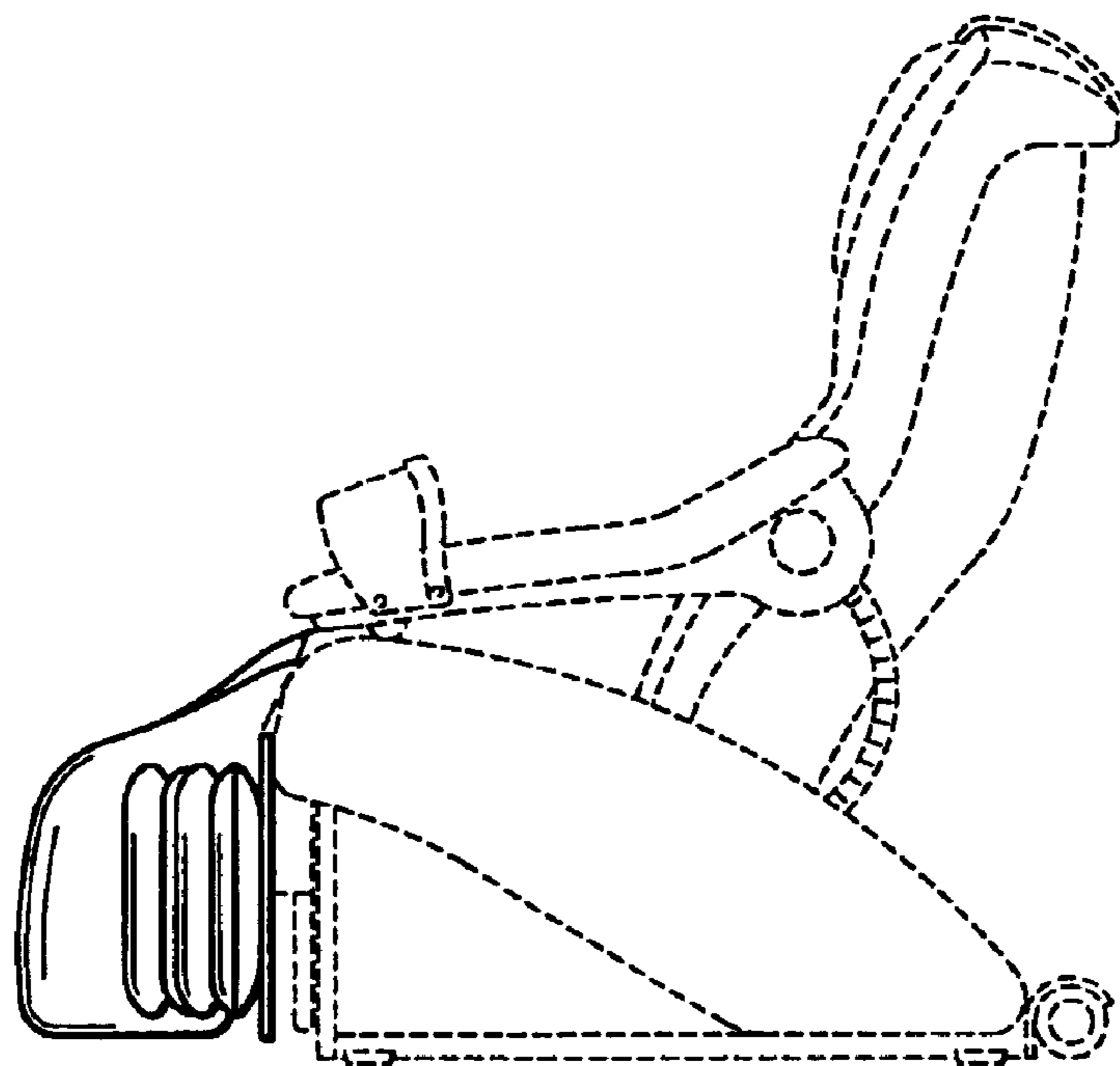


FIG. 13