

US00D502829S

(12) **United States Design Patent**  
**Grove**

(10) **Patent No.:** **US D502,829 S**

(45) **Date of Patent:** **\*\* Mar. 15, 2005**

(54) **WRAP AROUND CHAIR ARMS**

D451,722 S \* 12/2001 Grove ..... D6/500  
D452,785 S \* 1/2002 Chu ..... D6/500

(76) **Inventor:** **James E. Grove**, 4316 Marina City Dr.,  
#423CTN, Marina del Rey, CA (US)  
90292

\* cited by examiner

*Primary Examiner*—Gary D. Watson

(74) *Attorney, Agent, or Firm*—Jack C. Munro

(\*\*) **Term:** **14 Years**

(57) **CLAIM**

(21) **Appl. No.:** **29/200,266**

The ornamental design for wrap around chair arms, as shown and described.

(22) **Filed:** **Feb. 24, 2004**

**DESCRIPTION**

(51) **LOC (7) Cl.** ..... **06-01**

(52) **U.S. Cl.** ..... **D6/501; D6/366**

(58) **Field of Search** ..... D6/334, 335, 364–367,  
D6/379, 500–502; 297/411.2, 411.27, 411.28

FIG. 1 is a front perspective view of the wrap around chair arms showing my new design. The broken lines showing a chair back are for illustrative purposes only and form no part of the claimed design.

FIG. 2 is a front elevational view thereof;

FIG. 3 is a right side elevational view thereof with the left side elevational view being a mirror image thereof;

FIG. 4 is a rear side elevational view thereof;

FIG. 5 is a top plan view thereof; and,

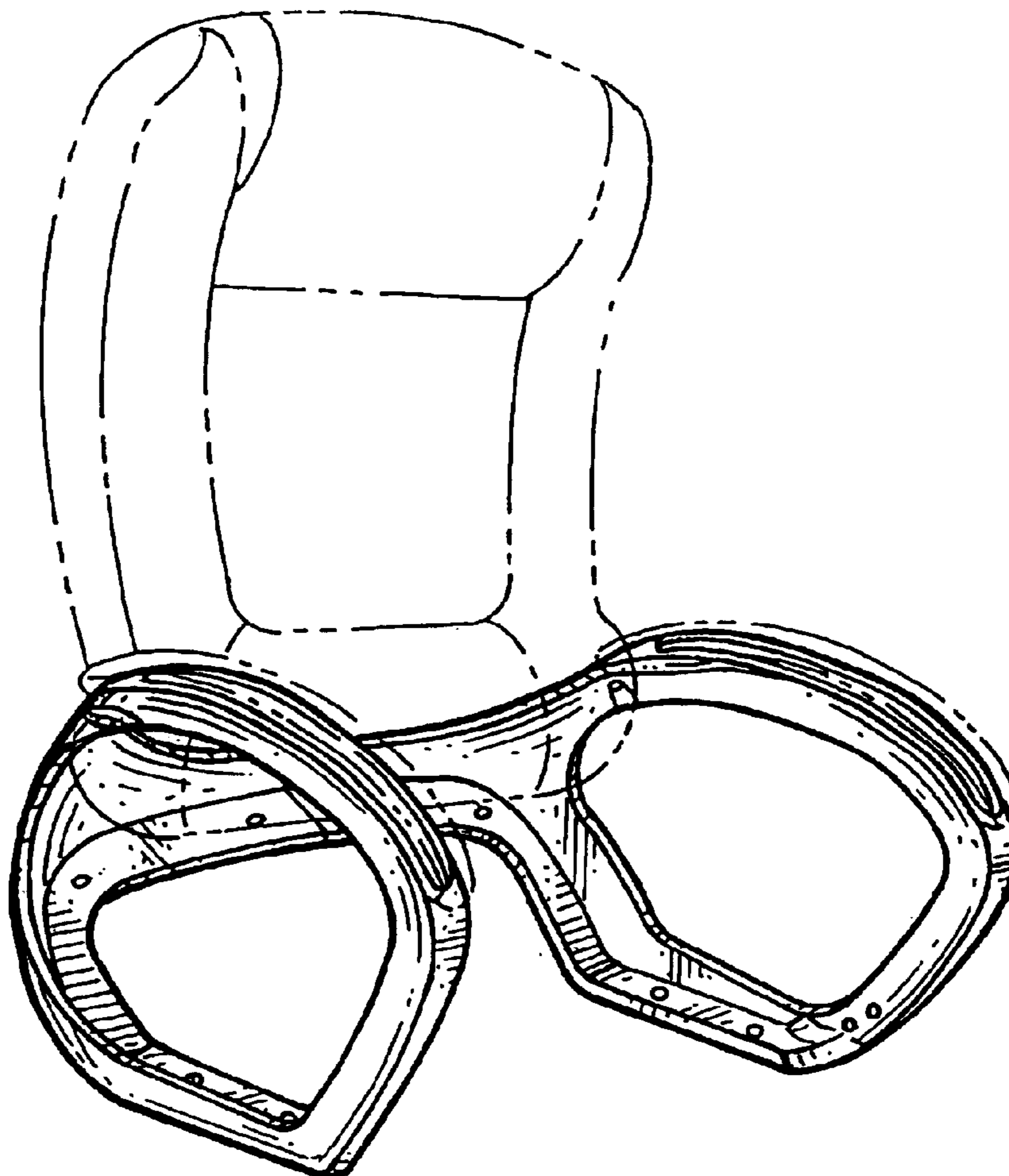
FIG. 6 is a bottom plan view thereof.

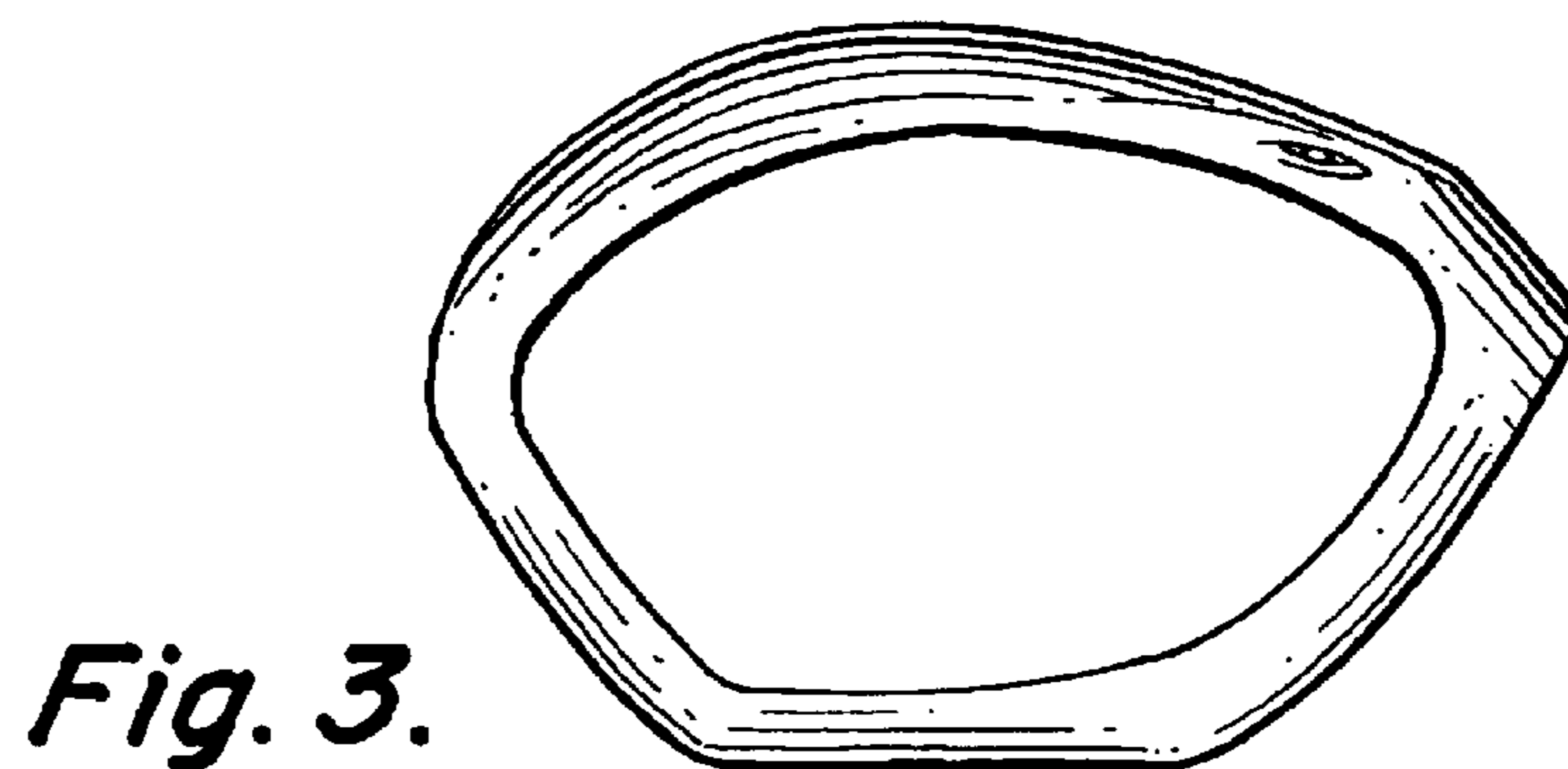
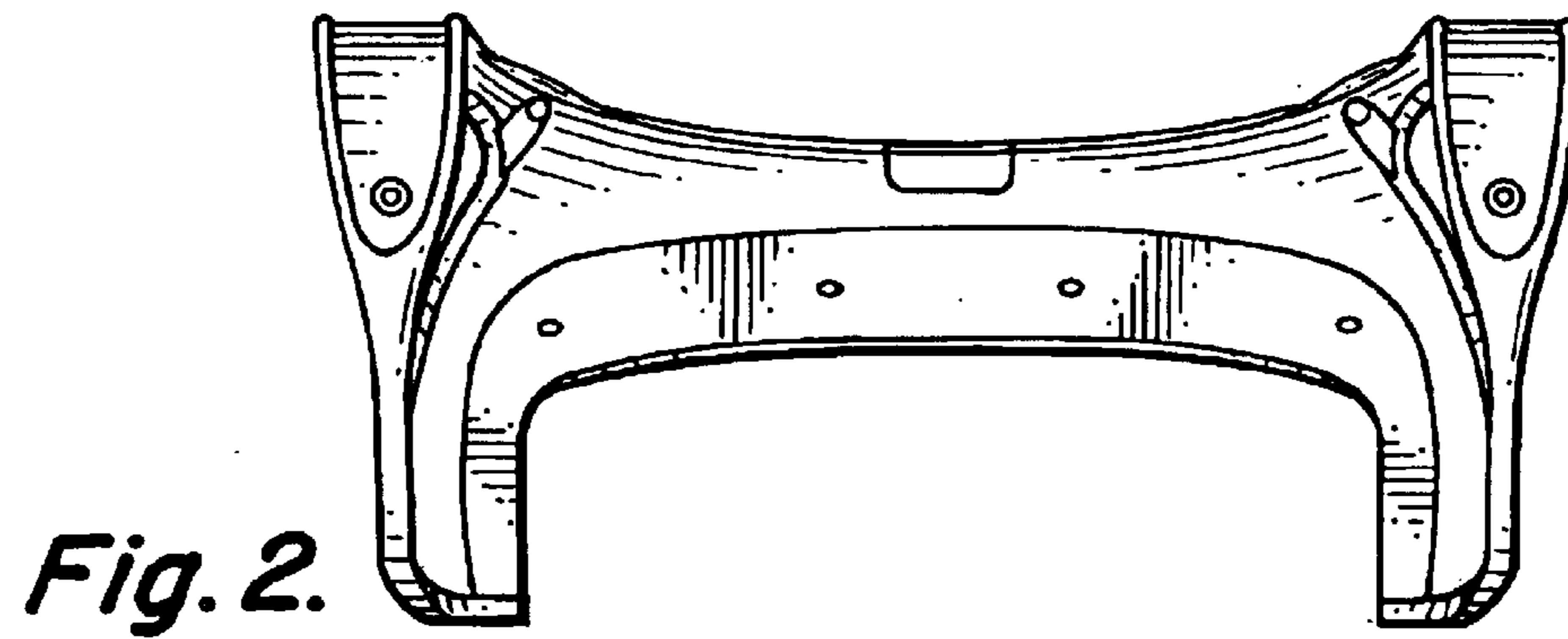
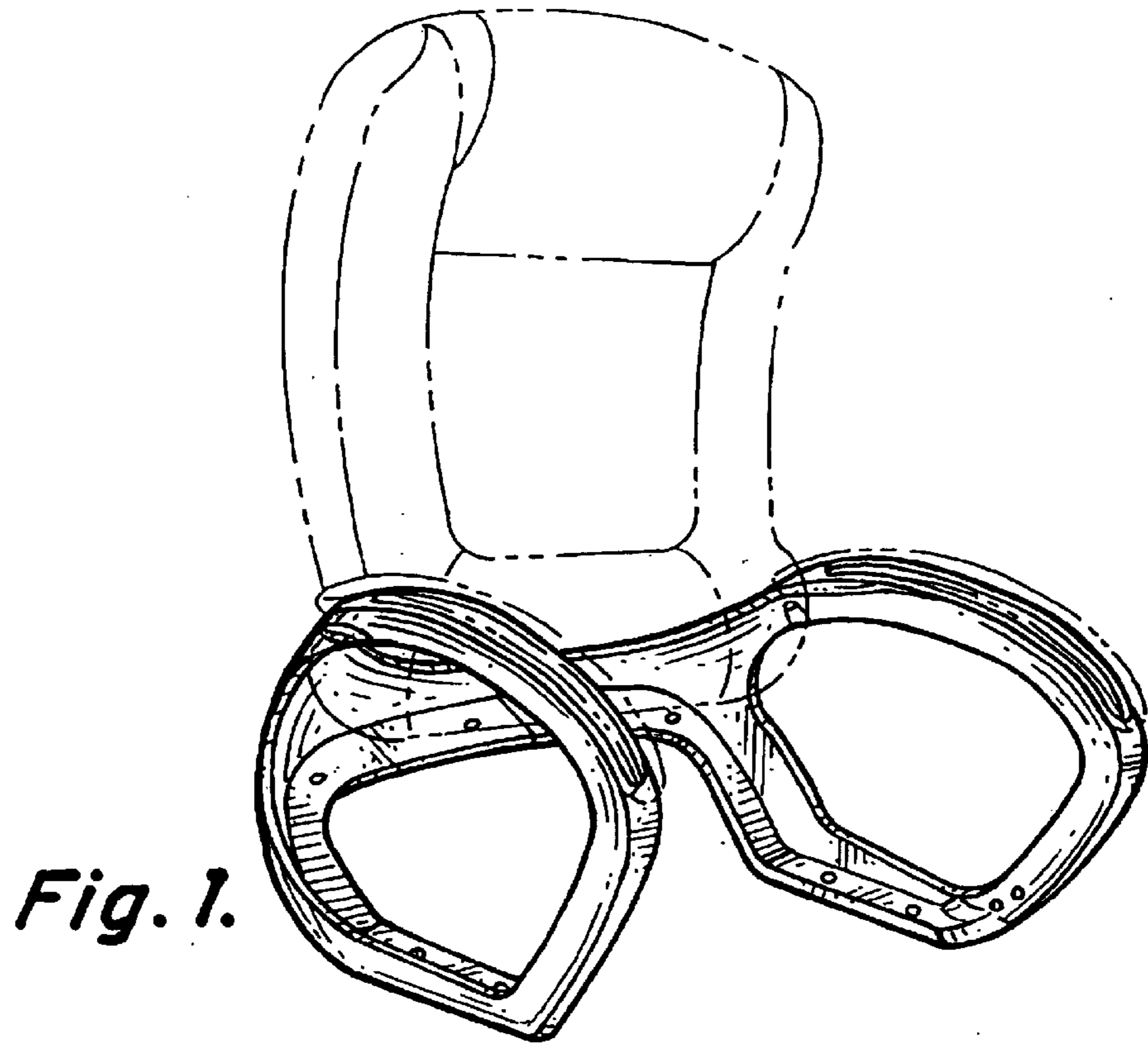
(56) **References Cited**

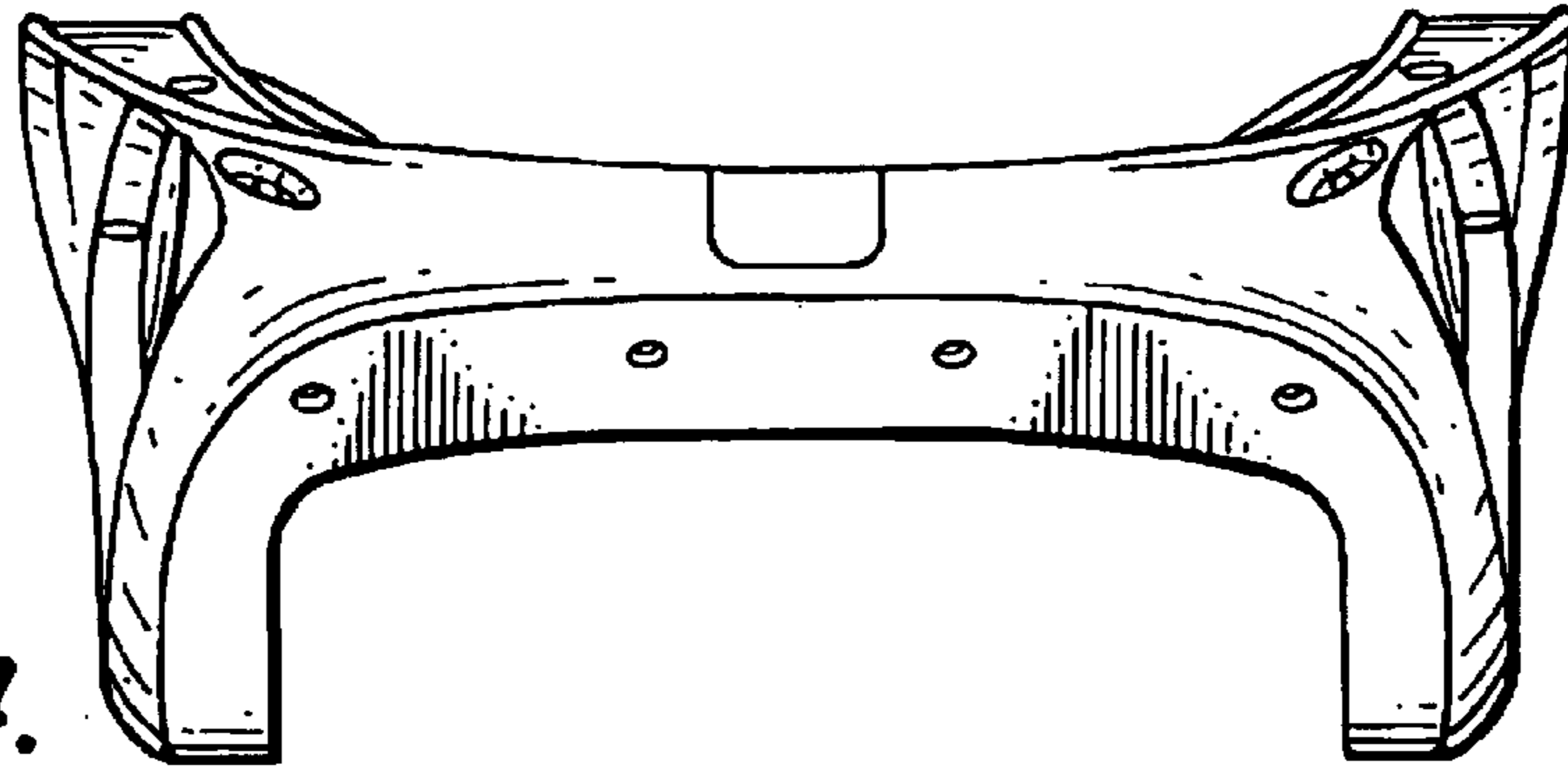
**U.S. PATENT DOCUMENTS**

|            |   |         |                 |       |          |
|------------|---|---------|-----------------|-------|----------|
| D292,351 S | * | 10/1987 | Brossard et al. | ..... | D6/366   |
| D308,605 S | * | 6/1990  | Uecker et al.   | ..... | D6/366   |
| D369,705 S | * | 5/1996  | George et al.   | ..... | D6/500   |
| D405,970 S | * | 2/1999  | Kaczmarek       | ..... | D6/366   |
| D409,405 S | * | 5/1999  | Schultz et al.  | ..... | D6/379 X |
| D418,316 S | * | 1/2000  | Vogtherr        | ..... | D6/366   |

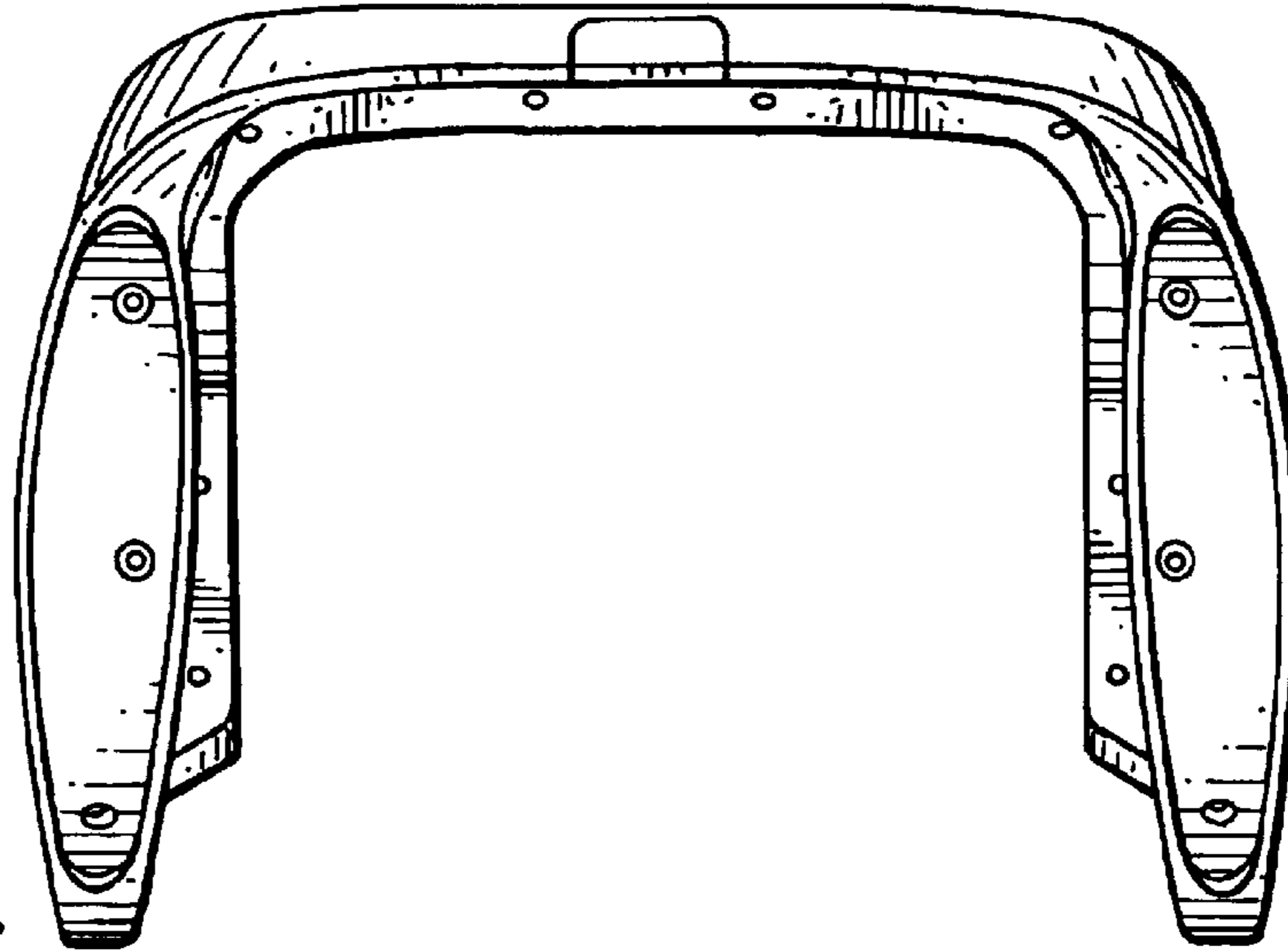
**1 Claim, 2 Drawing Sheets**



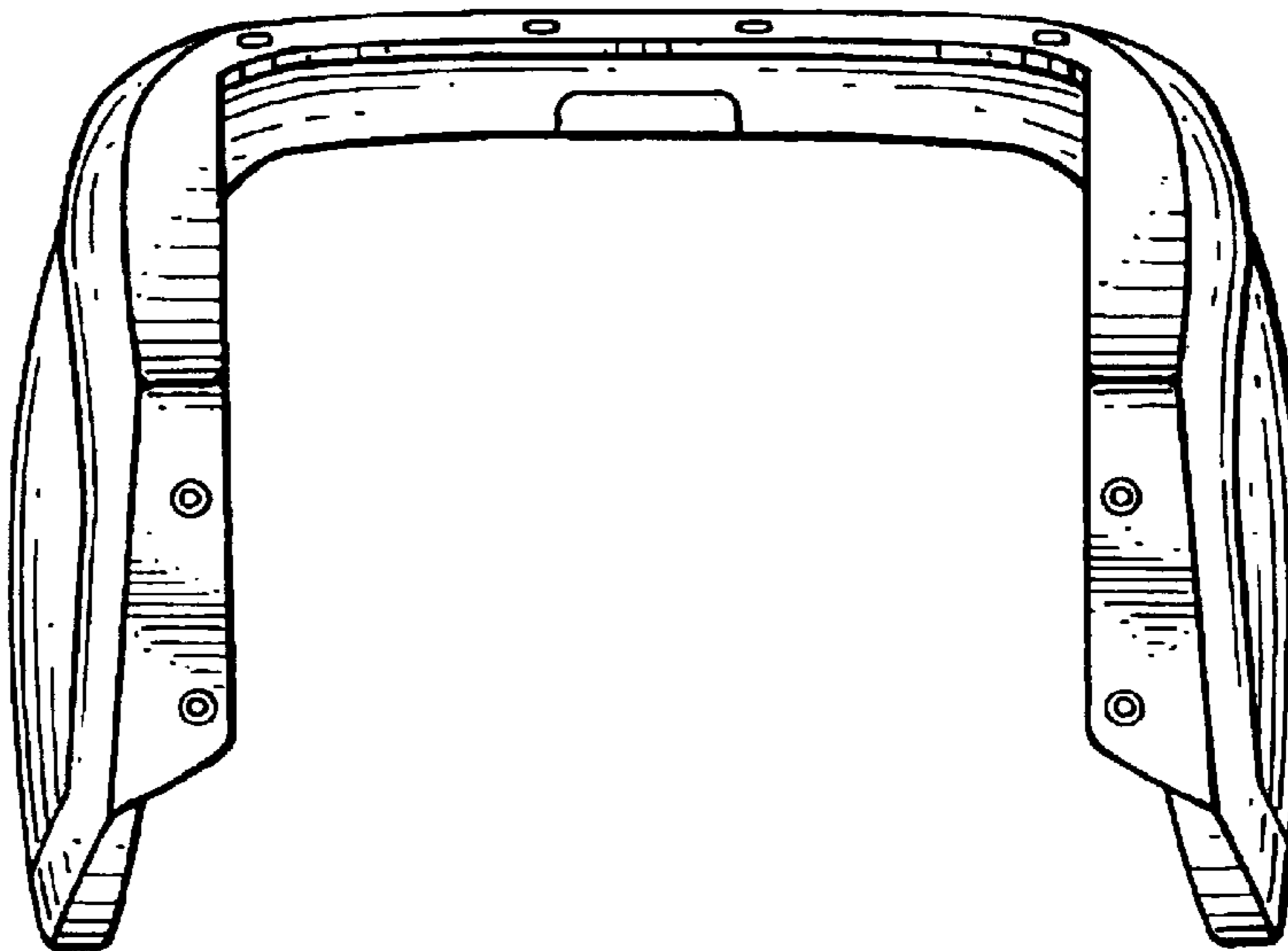




*Fig. 4.*



*Fig. 5.*



*Fig. 6.*