

US00D502828S

(12) **United States Design Patent**  
**Lin**

(10) **Patent No.:** **US D502,828 S**  
(45) **Date of Patent:** **\*\* Mar. 15, 2005**

(54) **ARMREST**

(76) **Inventor:** **Kuo-Hsiung Lin**, No. 16, Lane 207,  
Tsu Tzu Road, Nan Tou City, Nan Tou  
Hsien (TW)

(\*\*) **Term:** **14 Years**

(21) **Appl. No.:** **29/199,907**

(22) **Filed:** **Feb. 20, 2004**

(51) **LOC (7) Cl.** ..... **06-01**

(52) **U.S. Cl.** ..... **D6/501; D6/366**

(58) **Field of Search** ..... D6/334, 335, 364-367,  
D6/379, 500-502; 297/411.2, 411.27, 411.28,  
411.36

(56) **References Cited**

**U.S. PATENT DOCUMENTS**

D398,174 S	*	9/1998	Fahnstrom et al.	.....	D6/501
D453,079 S	*	1/2002	Ma	.....	D6/366
D471,388 S	*	3/2003	Wang	.....	D6/501
D488,652 S	*	4/2004	Lee	.....	D6/501

D492,520 S	*	7/2004	Ho	.....	D6/501
D494,768 S	*	8/2004	Su	.....	D6/366
D494,791 S	*	8/2004	True	.....	D6/501
D495,509 S	*	9/2004	Breen	.....	D6/366

\* cited by examiner

*Primary Examiner*—Gary D. Watson

(74) *Attorney, Agent, or Firm*—Alan D. Kamratj; Nikolai & Mersereau, P.A.

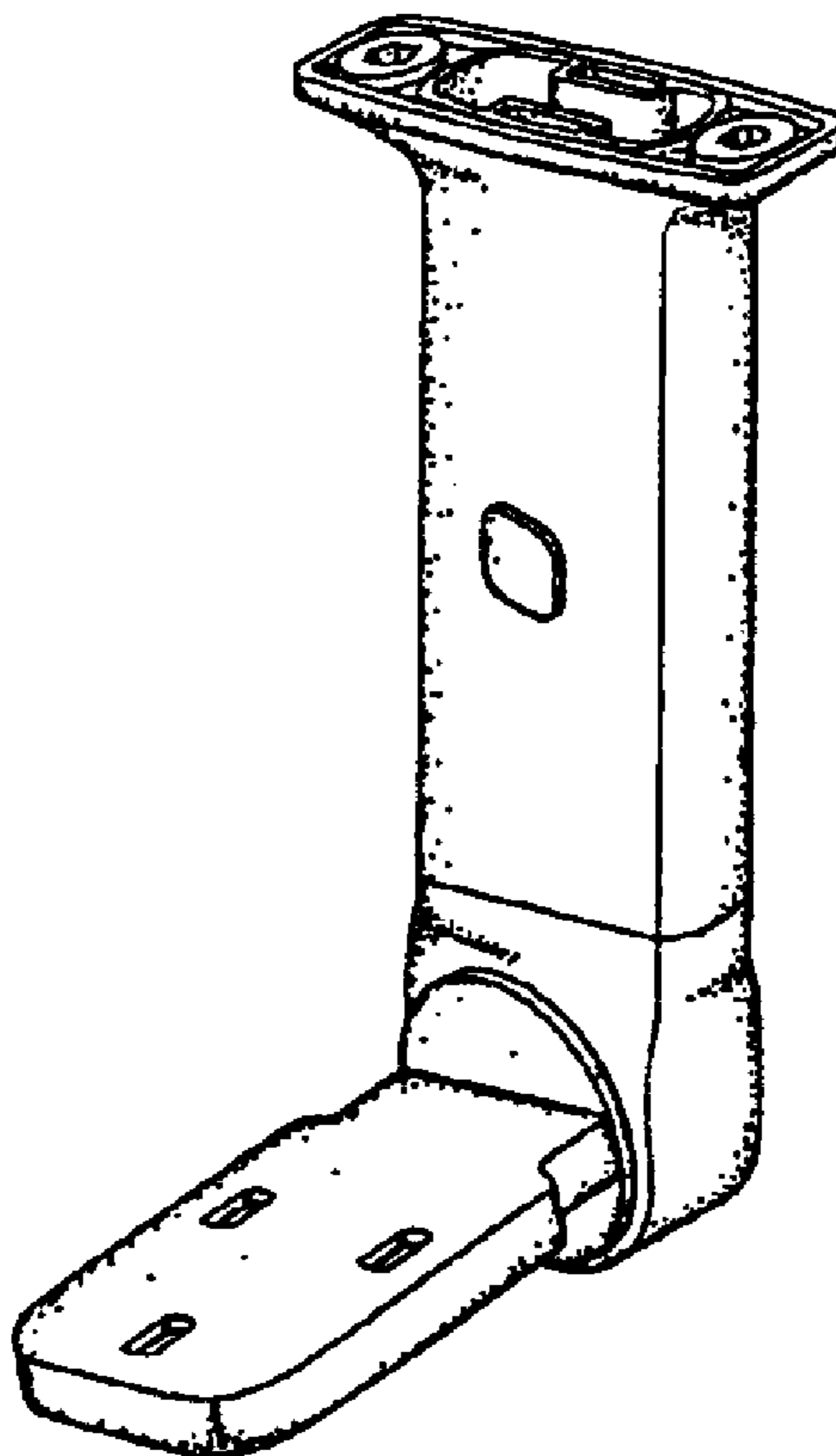
(57) **CLAIM**

The ornamental design for armrest, as shown and described.

**DESCRIPTION**

FIG. 1 is a perspective view of a armrest showing my new design;  
FIG. 2 is a front view thereof;  
FIG. 3 is a rear view thereof;  
FIG. 4 is a left view thereof;  
FIG. 5 is a right view thereof;  
FIG. 6 is a top view thereof; and,  
FIG. 7 is a bottom view thereof.

**1 Claim, 1 Drawing Sheet**



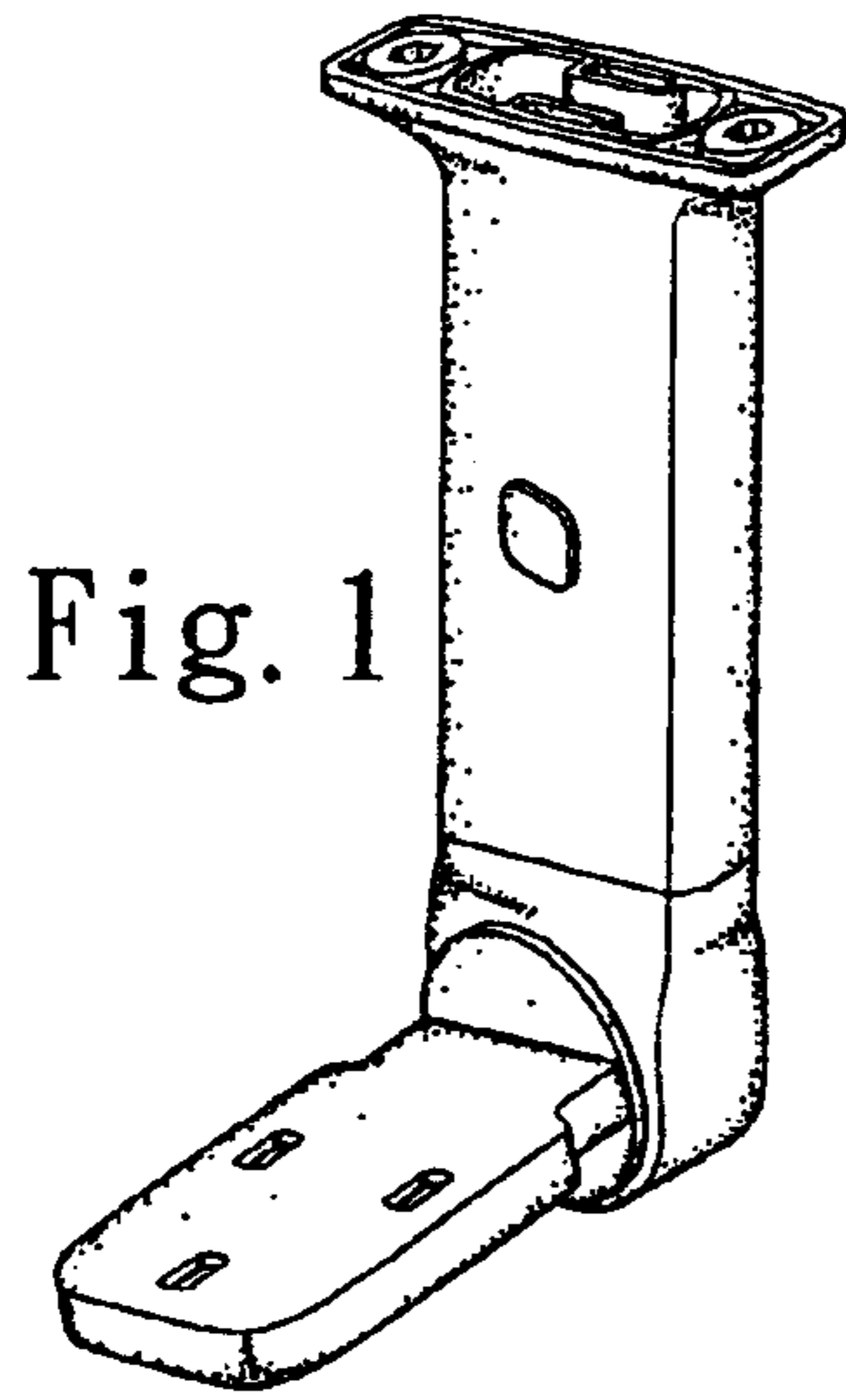


Fig. 1

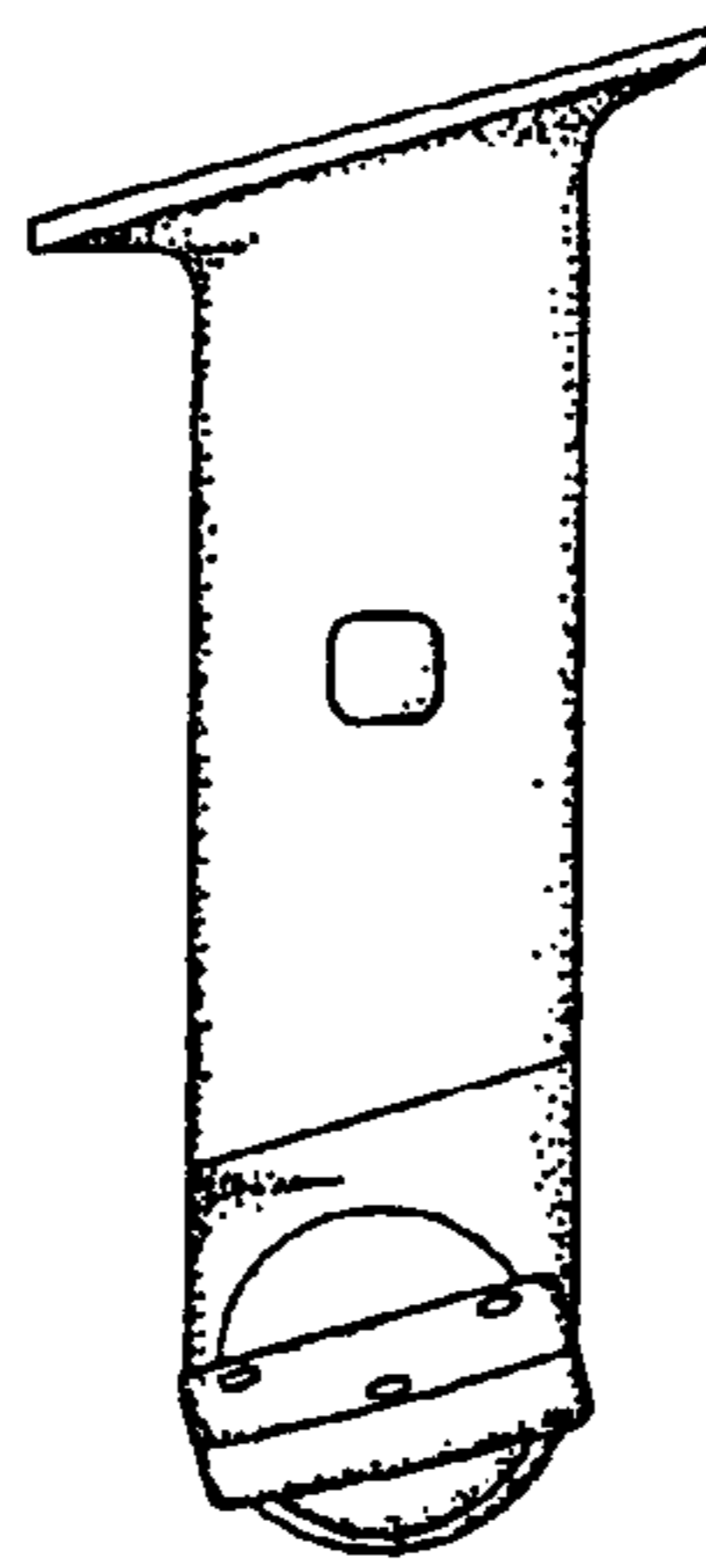


Fig. 2

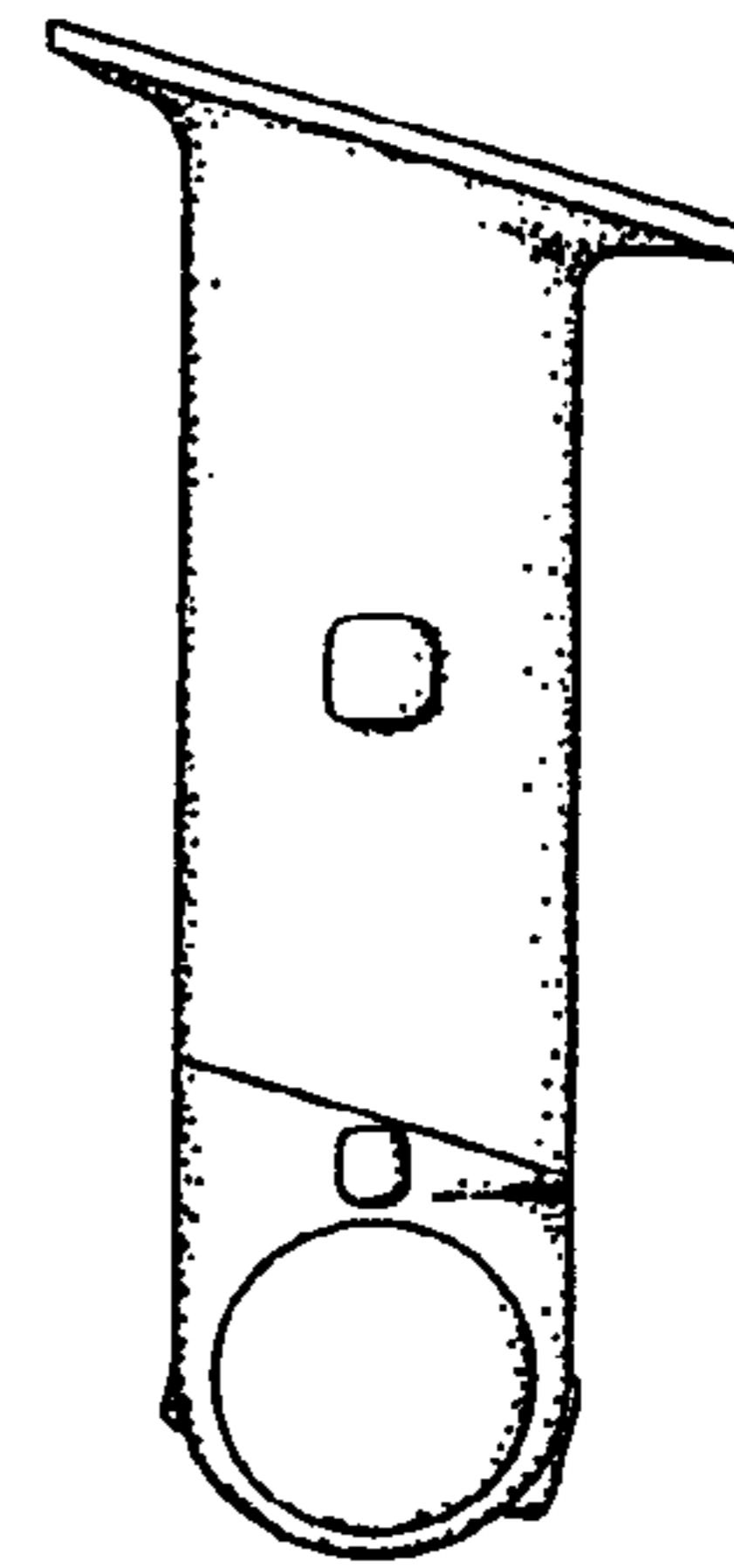


Fig. 3

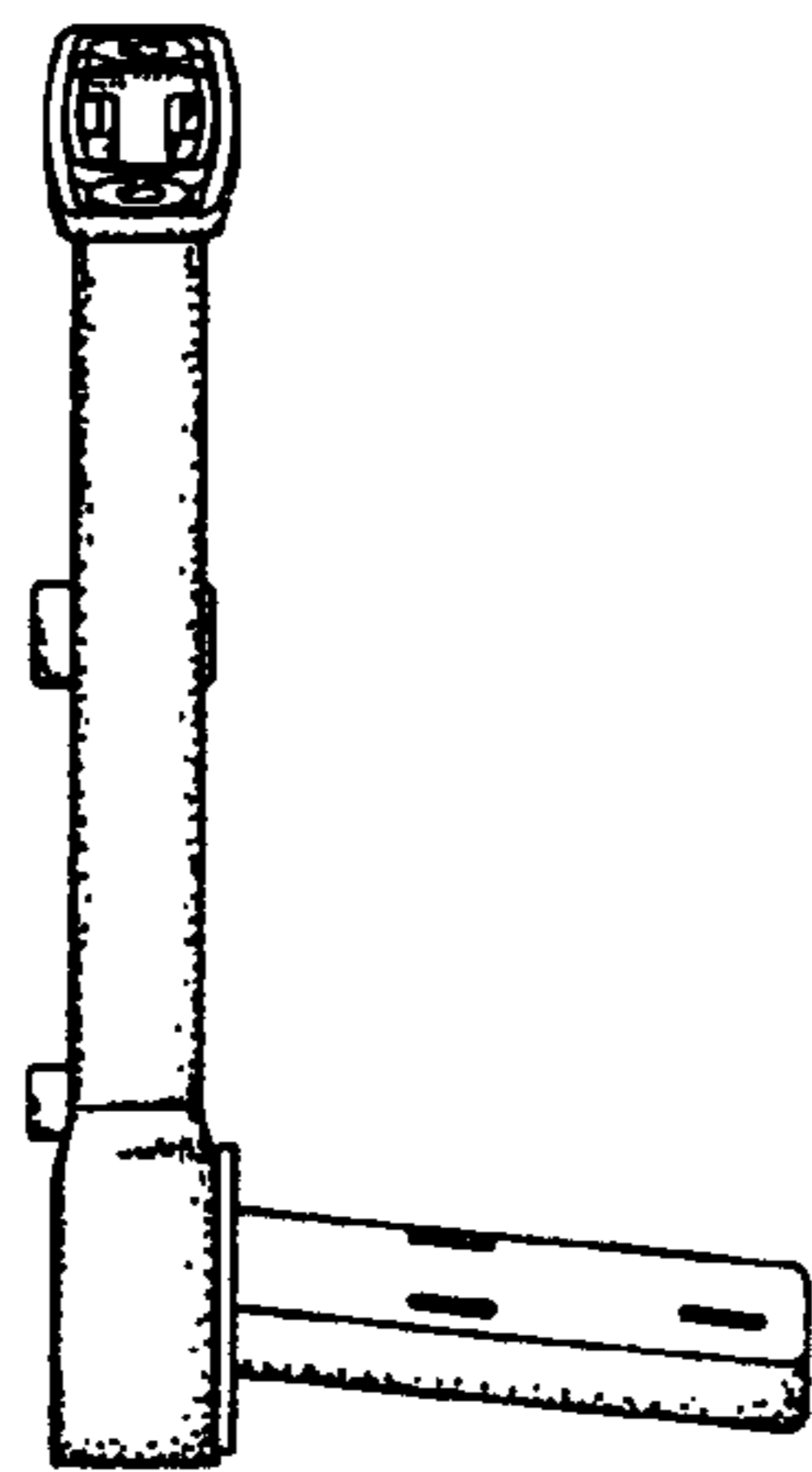


Fig. 4

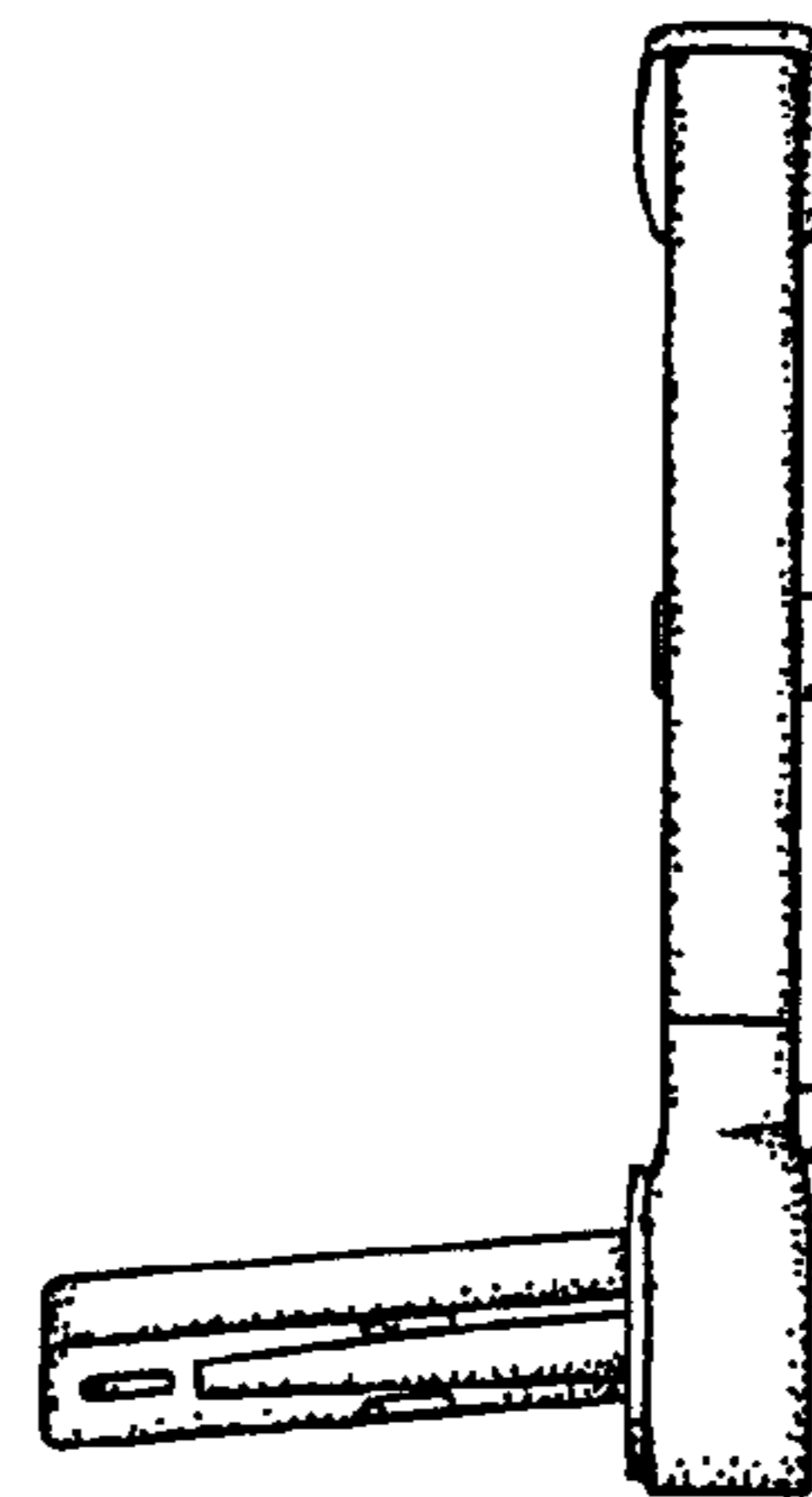


Fig. 5

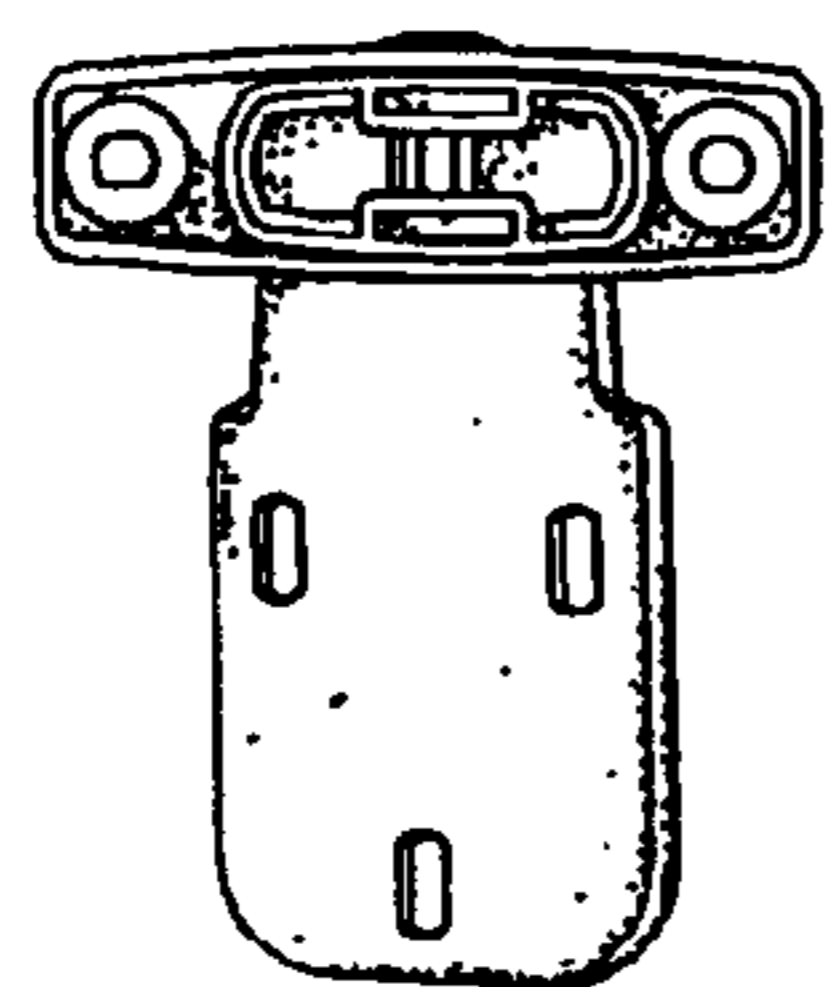


Fig. 6

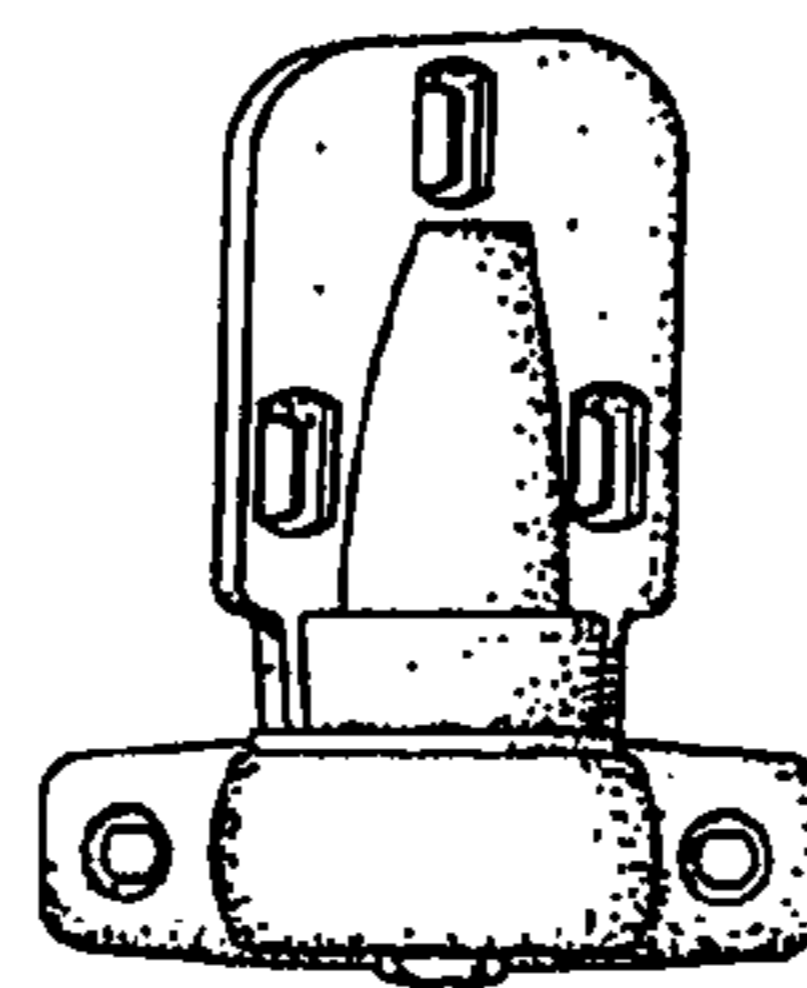


Fig. 7