

US00D502827S

(12) **United States Design Patent**
Yun

(10) **Patent No.:** **US D502,827 S**
(45) **Date of Patent:** **** Mar. 15, 2005**

(54) **CHAIR ARMREST**

D463,175 S * 9/2002 Wu D6/501
D476,513 S * 7/2003 Lee D6/501

(75) Inventor: **Tsai-Fu Yun**, Chang Hua Hsien (TW)

* cited by examiner

(73) Assignee: **Chang Yee Steel Co., Ltd.**, Chang Hua Hsien (TW)

Primary Examiner—Gary D. Watson

(74) *Attorney, Agent, or Firm*—Alan D. Kamrath; Nikolai & Mersereau, P.A.

(**) Term: **14 Years**

(57) **CLAIM**

(21) Appl. No.: **29/188,380**

The ornamental design for chair armrest, as shown and described.

(22) Filed: **Aug. 18, 2003**

(51) **LOC (7) Cl.** **06-01**

DESCRIPTION

(52) **U.S. Cl.** **D6/501; D6/366**

(58) **Field of Search** D6/334, 335, 364–367,
D6/379, 500–502; 297/411.2, 411.27, 411.28,
411.36

FIG. 1 is a perspective view of a chair armrest showing my new design;

FIG. 2 is a front view thereof;

FIG. 3 is a rear view thereof;

FIG. 4 is a left view thereof;

FIG. 5 is a right view thereof;

FIG. 6 is a top view thereof; and,

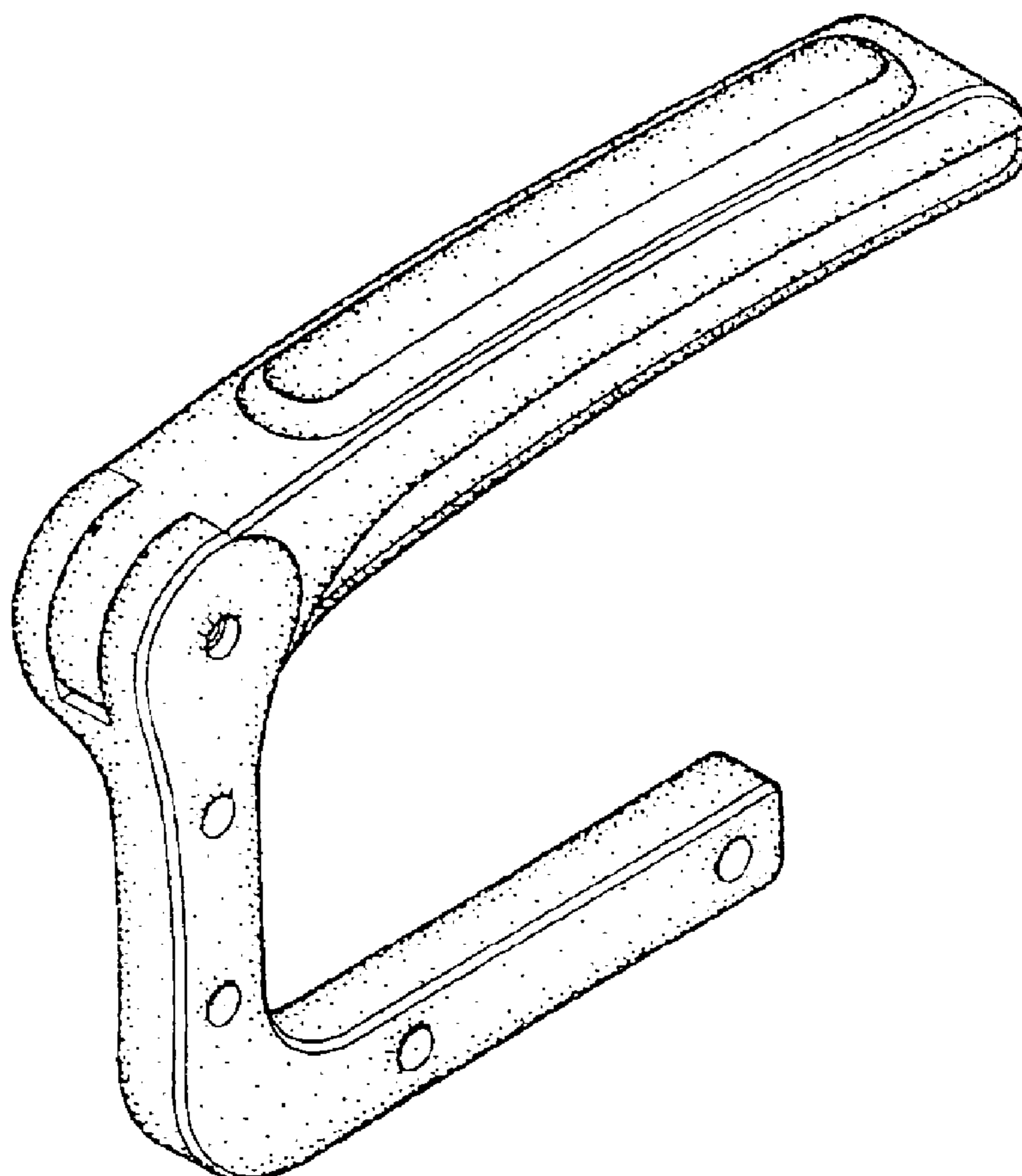
FIG. 7 is a bottom view thereof.

(56) **References Cited**

U.S. PATENT DOCUMENTS

D446,061 S * 8/2001 Su D6/501
D451,320 S * 12/2001 Chi D6/501
D462,549 S * 9/2002 Chu D6/501

1 Claim, 2 Drawing Sheets



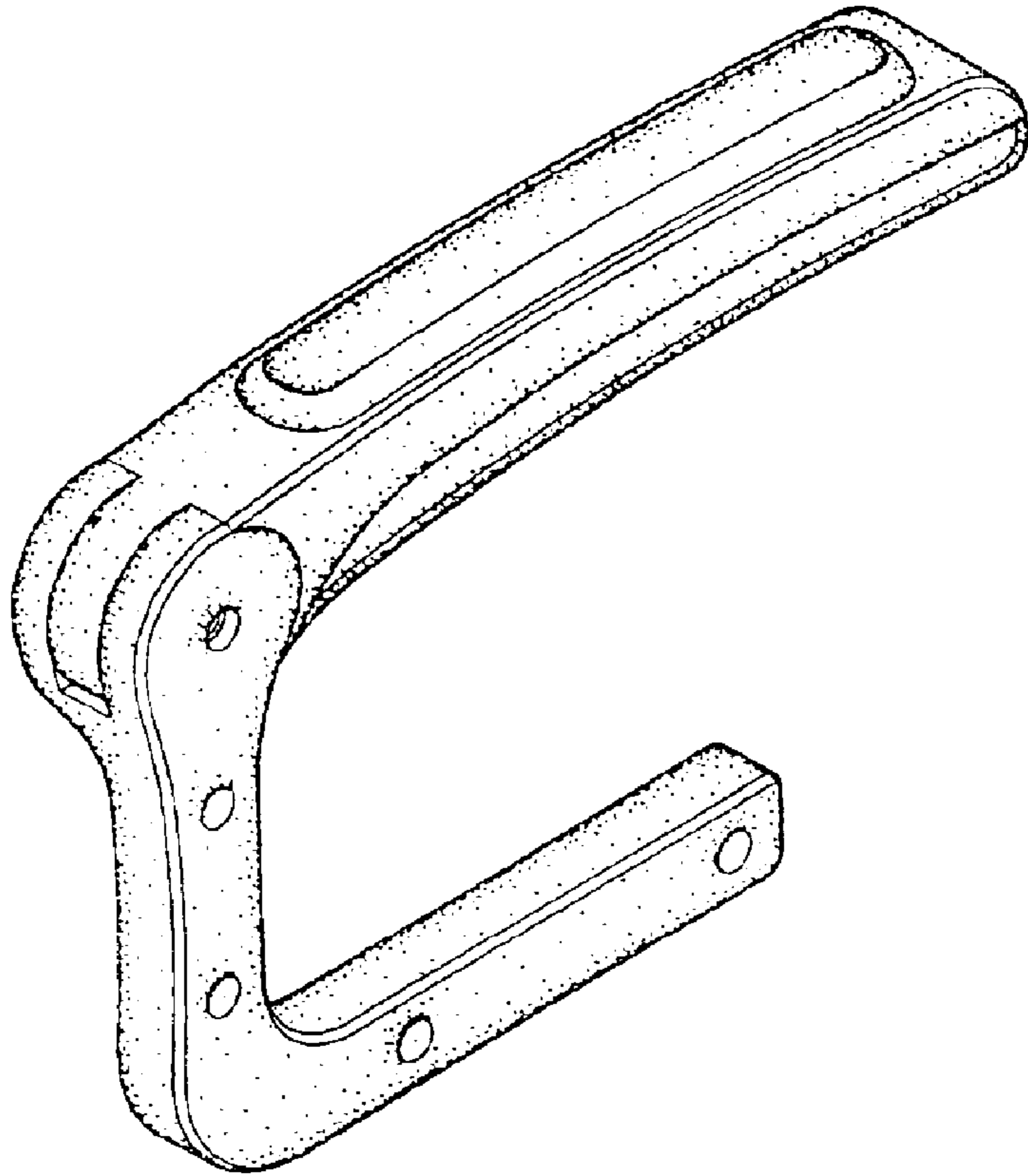


Fig. 1

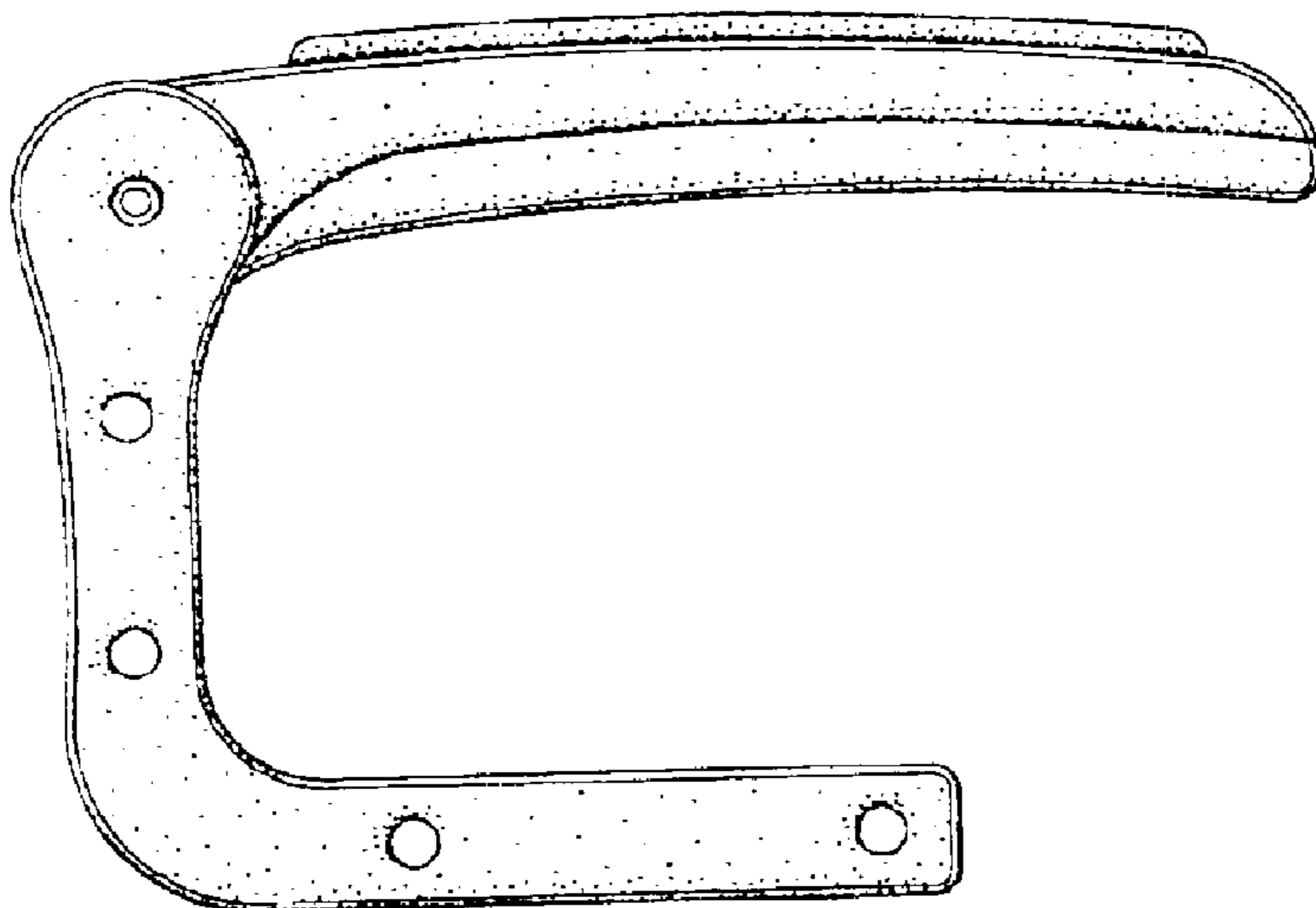


Fig. 2

Fig. 3

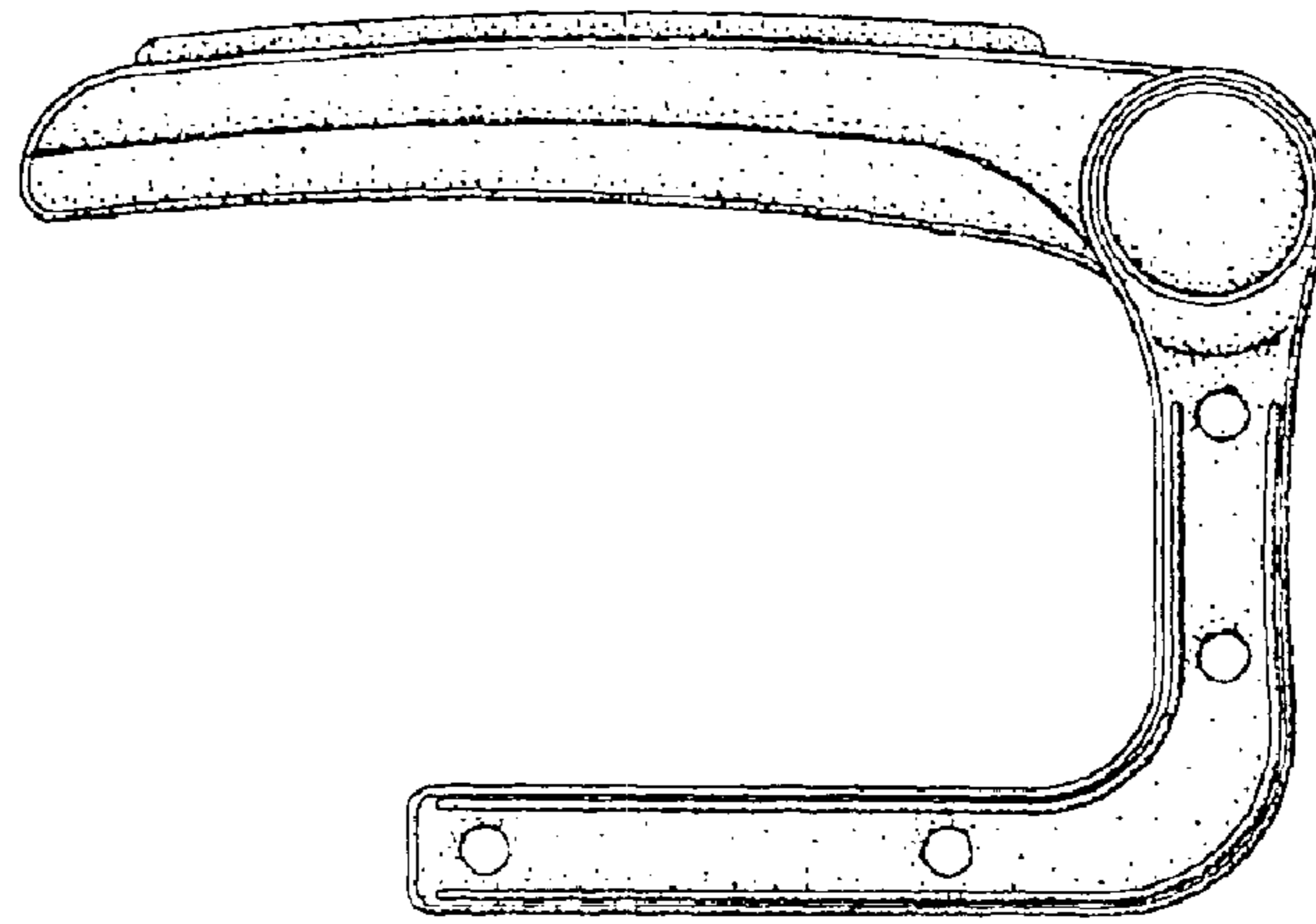


Fig. 4

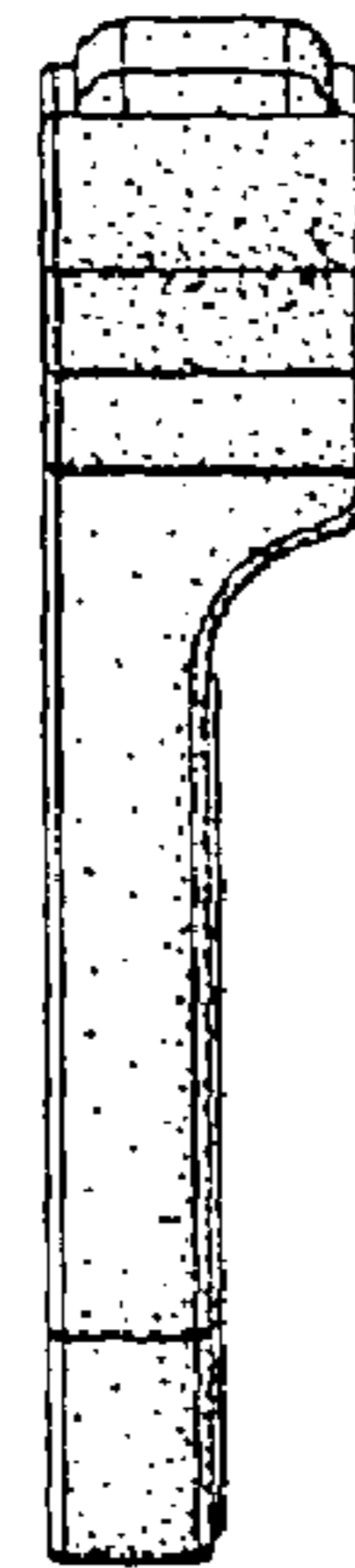


Fig. 5

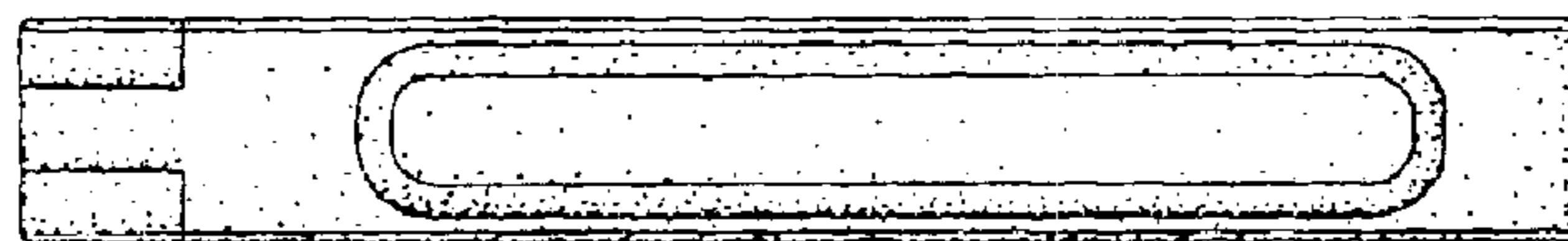


Fig. 6

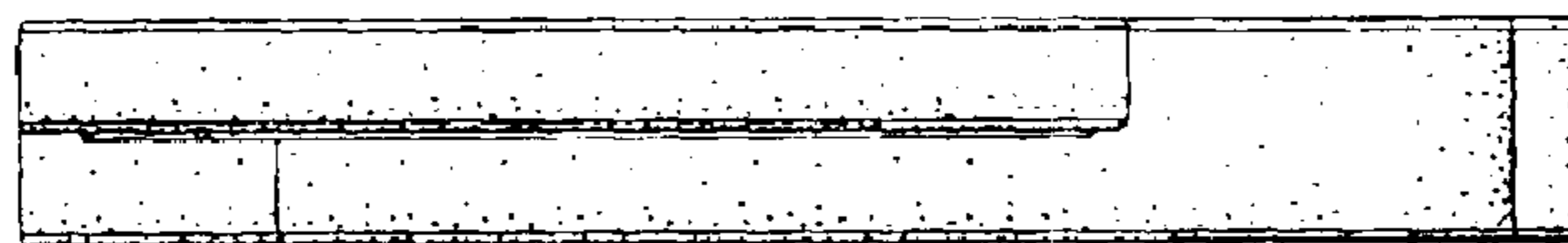


Fig. 7