

US00D502826S

(12) **United States Design Patent**
Farber et al.

(10) **Patent No.: US D502,826 S**
(45) **Date of Patent: ** Mar. 15, 2005**

(54) **TABLE LEG**
(75) Inventors: **Robert Farber, Montreal (CA); Jason C. Farber, Montreal (CA)**
(73) Assignee: **GSC Technology Corporation, St. Jean (CA)**
(**) Term: **14 Years**

2,609,627 A 9/1952 Delf et al.
2,624,469 A 1/1953 Cadwell
2,673,773 A 3/1954 Dusenbury
2,678,858 A 5/1954 Davis
2,683,944 A 7/1954 Kiel
2,733,971 A 2/1956 House
2,802,578 A 8/1957 Barile

(List continued on next page.)

(21) Appl. No.: **29/193,314**
(22) Filed: **Nov. 7, 2003**

FOREIGN PATENT DOCUMENTS

(51) **LOC (7) Cl. 06-06**
(52) **U.S. Cl. D6/499**
(58) **Field of Search D6/480-489, 495-499, D6/429; 108/153.1, 155, 156, 157.1, 161, 159.1, 157.12, 115, 118, 130; 248/188, 188.1, 188.8, 432, 164**

DE 33 39 903 A1 5/1985
EP 0 153 045 A2 1/1985
EP 0 193 201 A1 3/1986
GB 2 215 191 A 9/1989

OTHER PUBLICATIONS

Copy of U.S. Appl. No. 29/181,441, filed May 9, 2003, Farber et al.
Copy of U.S. Appl. No. 29/181,431, filed May 9, 2003, Farber et al.

(56) **References Cited**
U.S. PATENT DOCUMENTS

Primary Examiner—Janice E. Seeger
(74) *Attorney, Agent, or Firm*—Cook, Alex, McFarron, Manzo, Cummings & Mehler, Ltd.

152,691 A 6/1874 Samson
166,874 A 8/1875 Hood
200,057 A * 2/1878 Hart 108/116
291,525 A 1/1884 Long
292,084 A 1/1884 Witt
313,632 A 2/1885 Stowell
349,627 A 9/1886 Blackmer
366,069 A 7/1887 Blackmer
981,114 A 1/1911 Ridgely
1,053,357 A 2/1913 Carter
1,062,434 A 5/1913 Brooks
1,190,984 A 7/1916 Clark
1,278,797 A 9/1918 Broyles
1,391,755 A 9/1921 Boysen
1,593,835 A 7/1926 McNeal et al.
1,942,190 A 1/1934 Smullin
2,106,309 A * 1/1938 Sweeney 108/116
D145,965 S 11/1946 Baker
2,432,192 A * 12/1947 Gaudette 108/116
D149,619 S 5/1948 Dahm
2,472,722 A 6/1949 Newstead
2,582,791 A 1/1952 Page

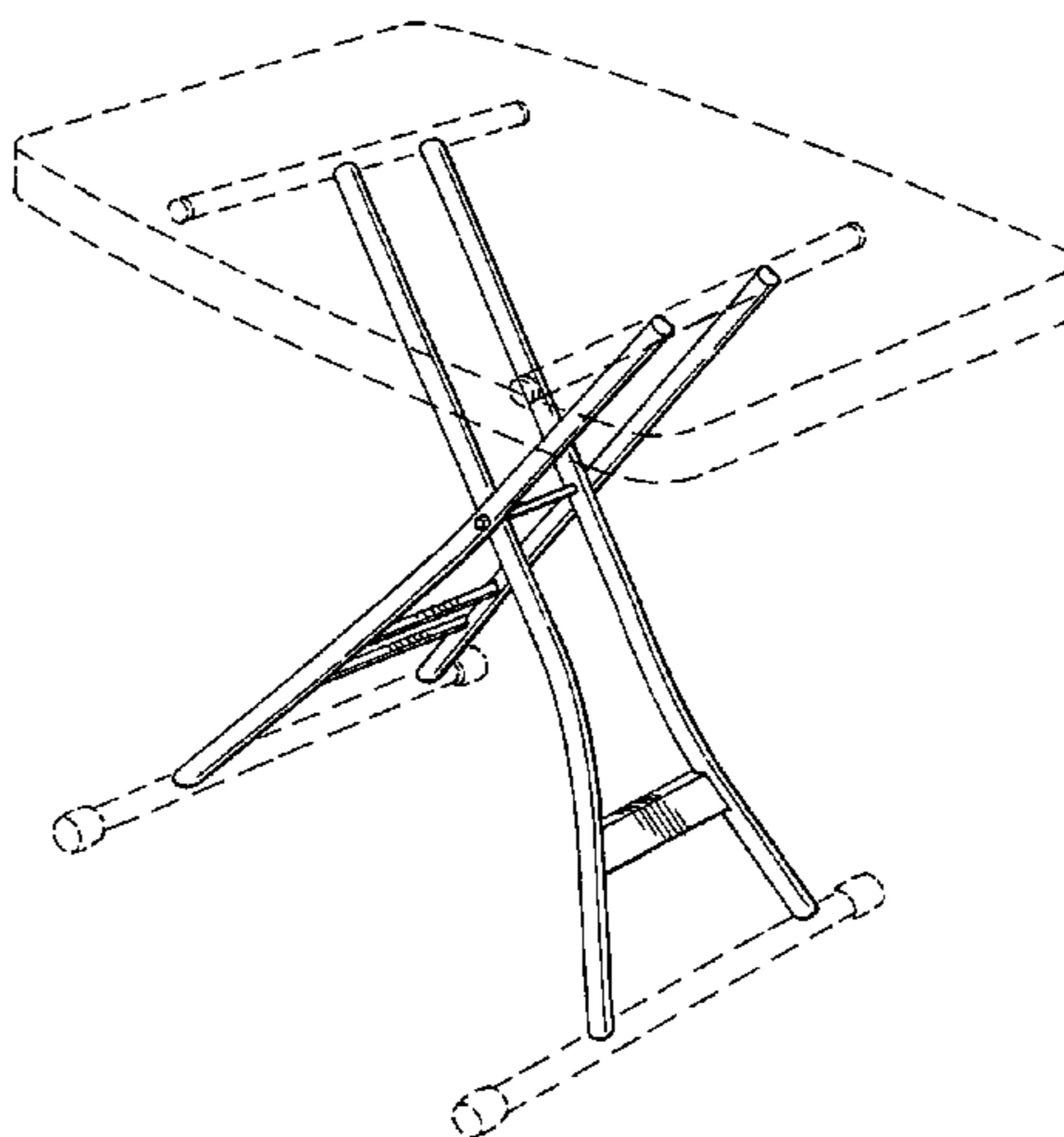
(57) **CLAIM**

The ornamental design for a table leg, as shown and described.

DESCRIPTION

FIG. 1 is a front perspective view of our new design for a table leg;
FIG. 2 is a top view of the table leg shown in FIG. 1;
FIG. 3 is a bottom view of the table leg shown in FIG. 1;
FIG. 4 is a front view of the table leg shown in FIG. 1;
FIG. 5 is a rear view of the table leg shown in FIG. 1;
FIG. 6 is a left side view of the table leg shown in FIG. 1; and,
FIG. 7 is a right side view of the table leg shown in FIG. 1.
The broken lines in the drawings are for illustrative purposes only and form no part of the invention.

1 Claim, 4 Drawing Sheets



US D502,826 S

U.S. PATENT DOCUMENTS

2,977,169 A	3/1961	Geller	D391,788 S	3/1998	Hutton
3,025,119 A	3/1962	Lucier	D392,812 S	3/1998	Hicks
3,185,113 A	5/1965	Nathan et al.	5,732,637 A	3/1998	Raab
3,199,472 A	8/1965	Stelniceanu	D399,684 S	10/1998	Glass
3,298,328 A	1/1967	Hoodis	5,823,121 A	10/1998	Reiter
3,393,649 A	7/1968	Miotke	5,829,365 A *	11/1998	Cheng et al. 108/118
3,401,653 A	9/1968	Knoblock	D402,830 S	12/1998	Chalmers
3,491,705 A	1/1970	Blanke	D403,182 S	12/1998	Fu
D219,080 S	10/1970	Zellner	D403,183 S	12/1998	Lewis
3,680,942 A	8/1972	Davis	5,868,081 A	2/1999	Raab
D226,603 S	4/1973	Knighten	5,947,037 A	9/1999	Hornberger et al.
3,738,286 A	6/1973	Hoffman	D416,148 S	11/1999	Pagnon et al.
3,742,871 A	7/1973	Kienel	6,058,854 A	5/2000	Tarnay et al.
D229,999 S	1/1974	Blazey	6,089,667 A	7/2000	Hobbs
D230,232 S	2/1974	Howard	6,112,674 A	9/2000	Stanford
3,967,562 A	7/1976	Anacker	D438,033 S	2/2001	Schultz
D243,376 S	2/1977	Scott	D440,080 S	4/2001	Suzuki
D243,983 S	4/1977	Carter	D443,442 S	6/2001	Hutton
4,122,780 A	10/1978	Brickman	6,247,772 B1	6/2001	Tuttle et al.
D252,431 S	7/1979	Pfister	D444,650 S	7/2001	Jeup
D252,659 S	8/1979	Brickman	D449,184 S	10/2001	Cain
4,168,669 A	9/1979	Arnoff	6,371,034 B1	4/2002	Simpson et al.
D256,532 S	8/1980	Aulenti	6,431,092 B1	8/2002	Stanford
4,311,099 A	1/1982	Roberts	D463,687 S	10/2002	Goodworth
D266,218 S	9/1982	Hodson	D468,135 S	1/2003	Ashby et al.
D273,448 S	4/1984	Colquhoun	6,508,184 B1	1/2003	Winter et al.
D288,513 S	3/1987	Shelly	D469,994 S *	2/2003	Smith D6/499
D294,318 S	2/1988	Zapf	D469,996 S	2/2003	Ashby
4,850,282 A	7/1989	Postic	D470,352 S	2/2003	Strong
4,951,576 A	8/1990	Cobos et al.	6,520,094 B2	2/2003	Wen
D315,073 S	3/1991	Goetz	6,530,331 B2	3/2003	Stanford
D327,592 S	7/1992	Kerem	6,550,404 B2	4/2003	Stanford
5,271,338 A	12/1993	Bonham	6,550,728 B1	4/2003	Fuhrman
5,353,715 A	10/1994	Luyk	6,615,743 B2	9/2003	Nien
5,443,020 A	8/1995	Price	6,622,644 B2	9/2003	Buono
5,445,085 A	8/1995	Westerburgen	D481,559 S	11/2003	Weaver
5,584,254 A *	12/1996	Williams 108/118	6,732,663 B2	5/2004	Tsai
5,644,994 A	7/1997	Liang et al.	D493,989 S	8/2004	Farber et al.
5,678,491 A	10/1997	Price et al.	6,772,700 B2	8/2004	Wong
5,694,865 A	12/1997	Raab	D497,500 S *	10/2004	Farber et al. D6/499

* cited by examiner

FIG. 1

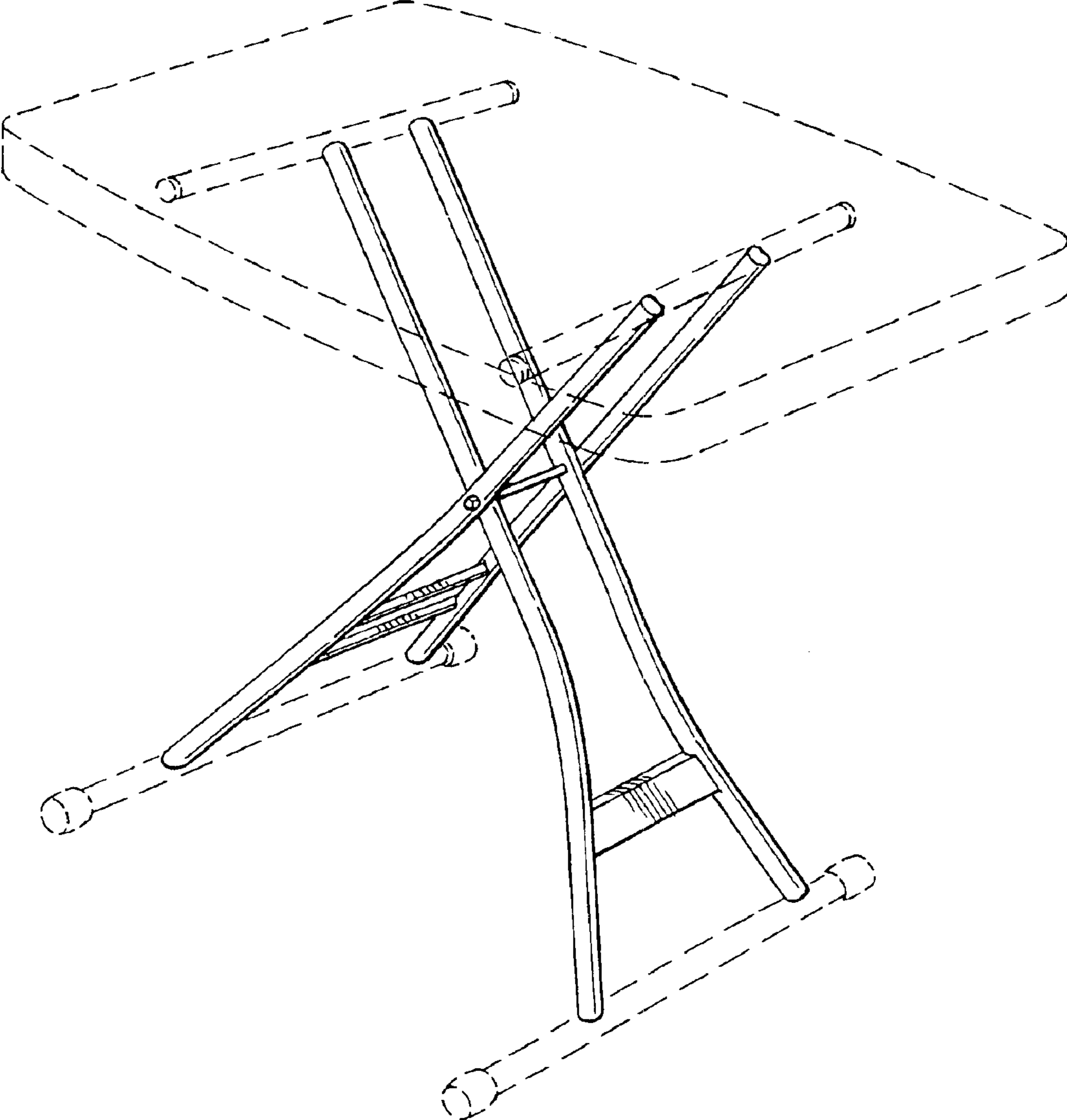


FIG.2

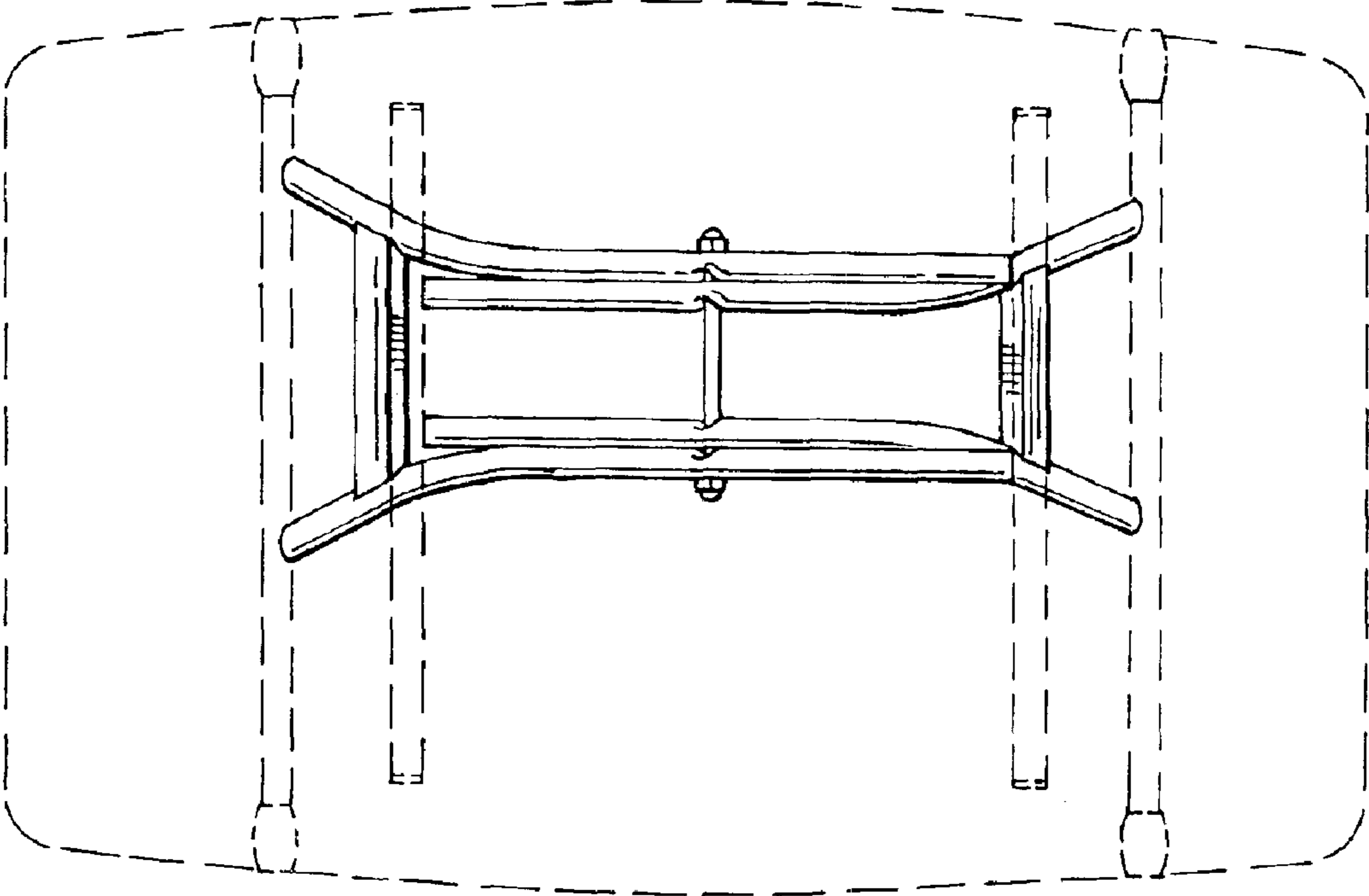


FIG.3

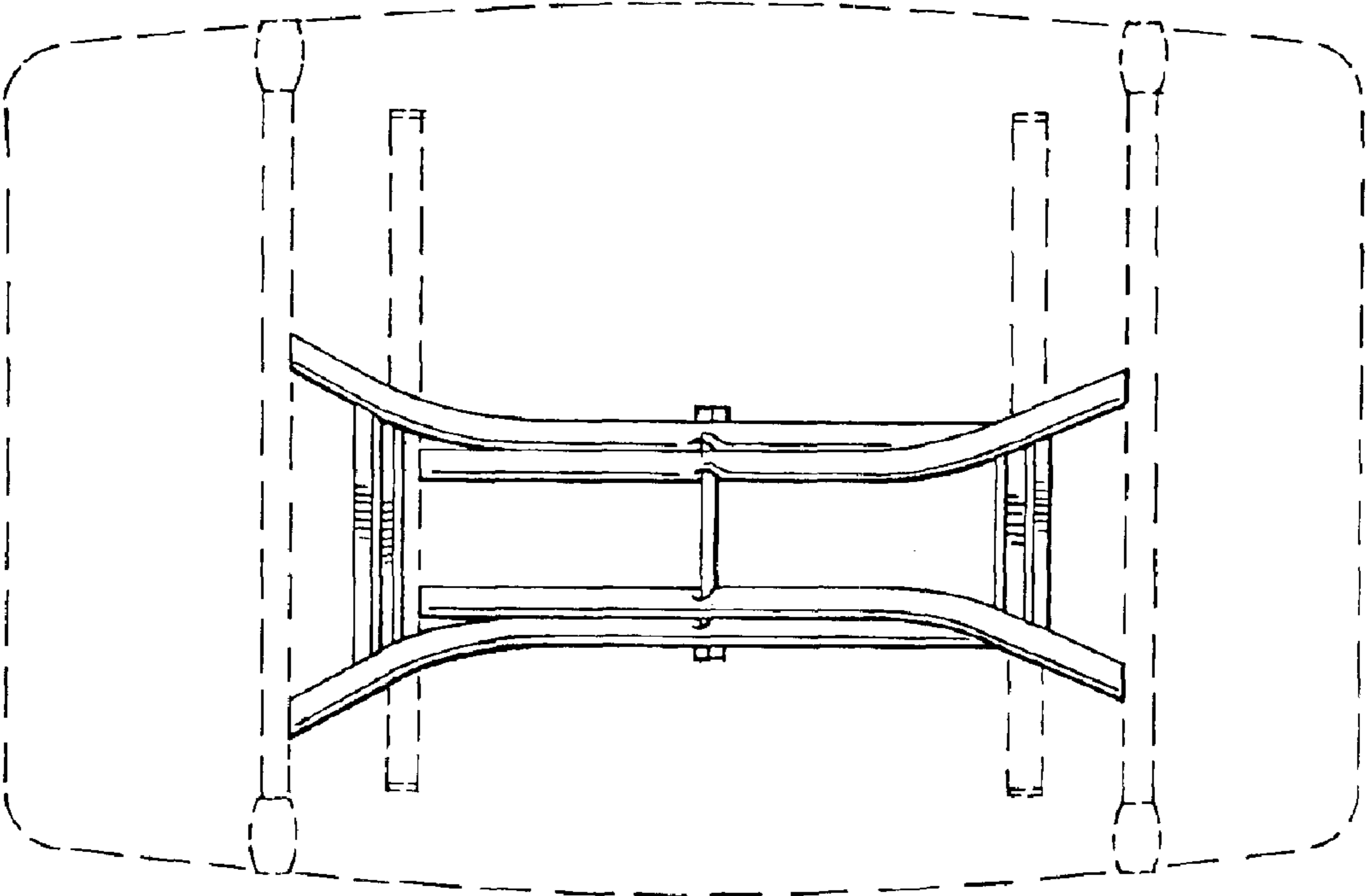


FIG.4

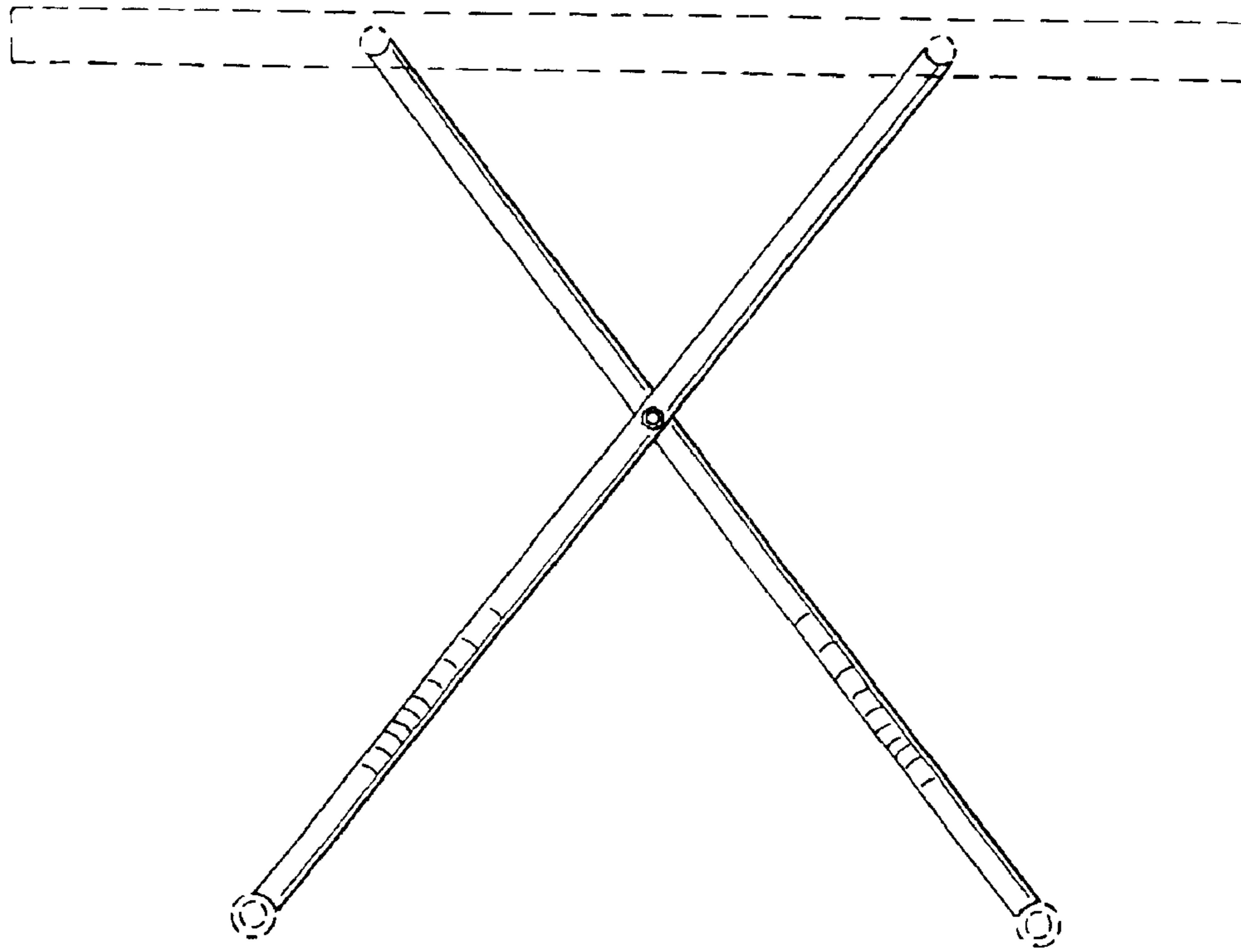


FIG.5

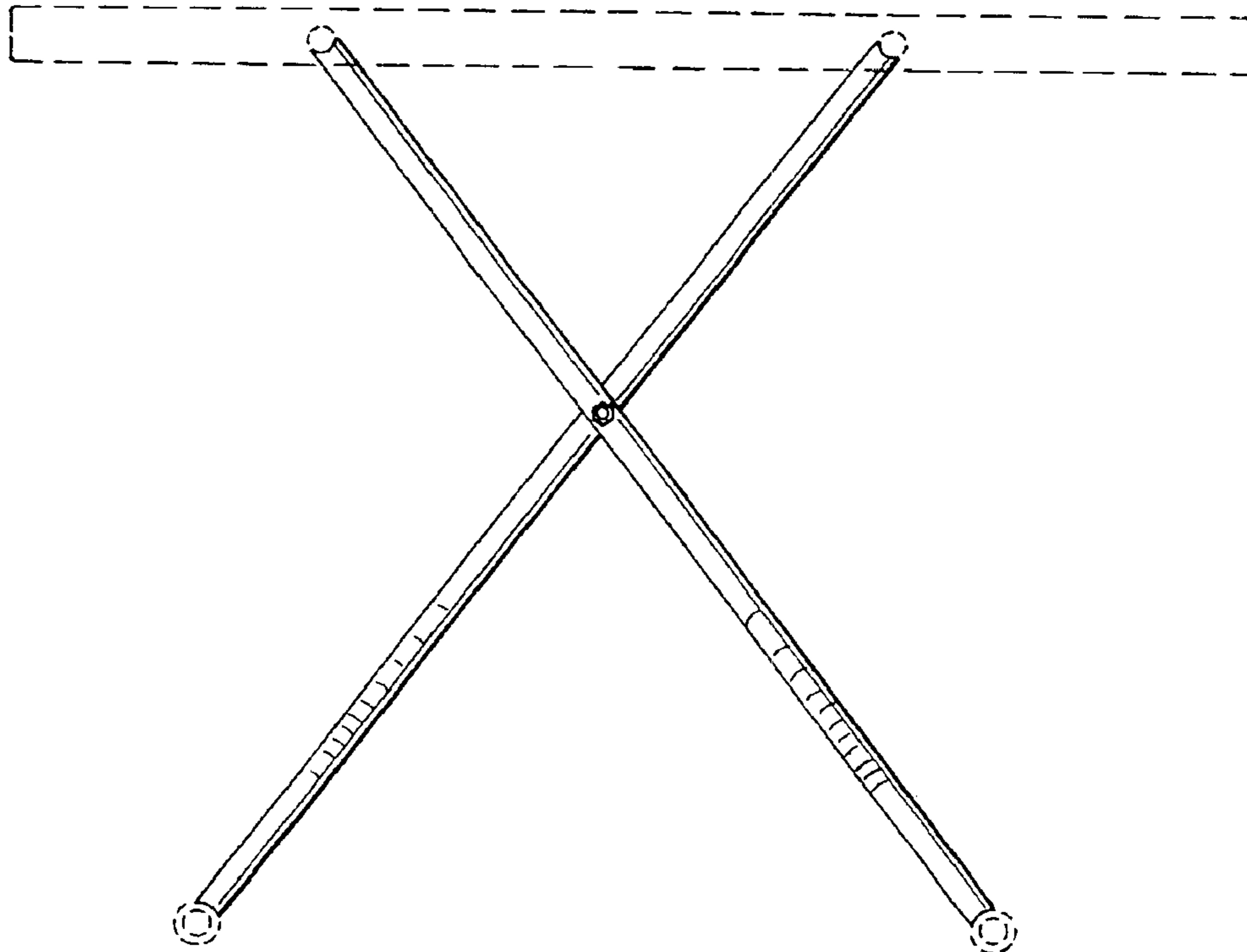


FIG.6

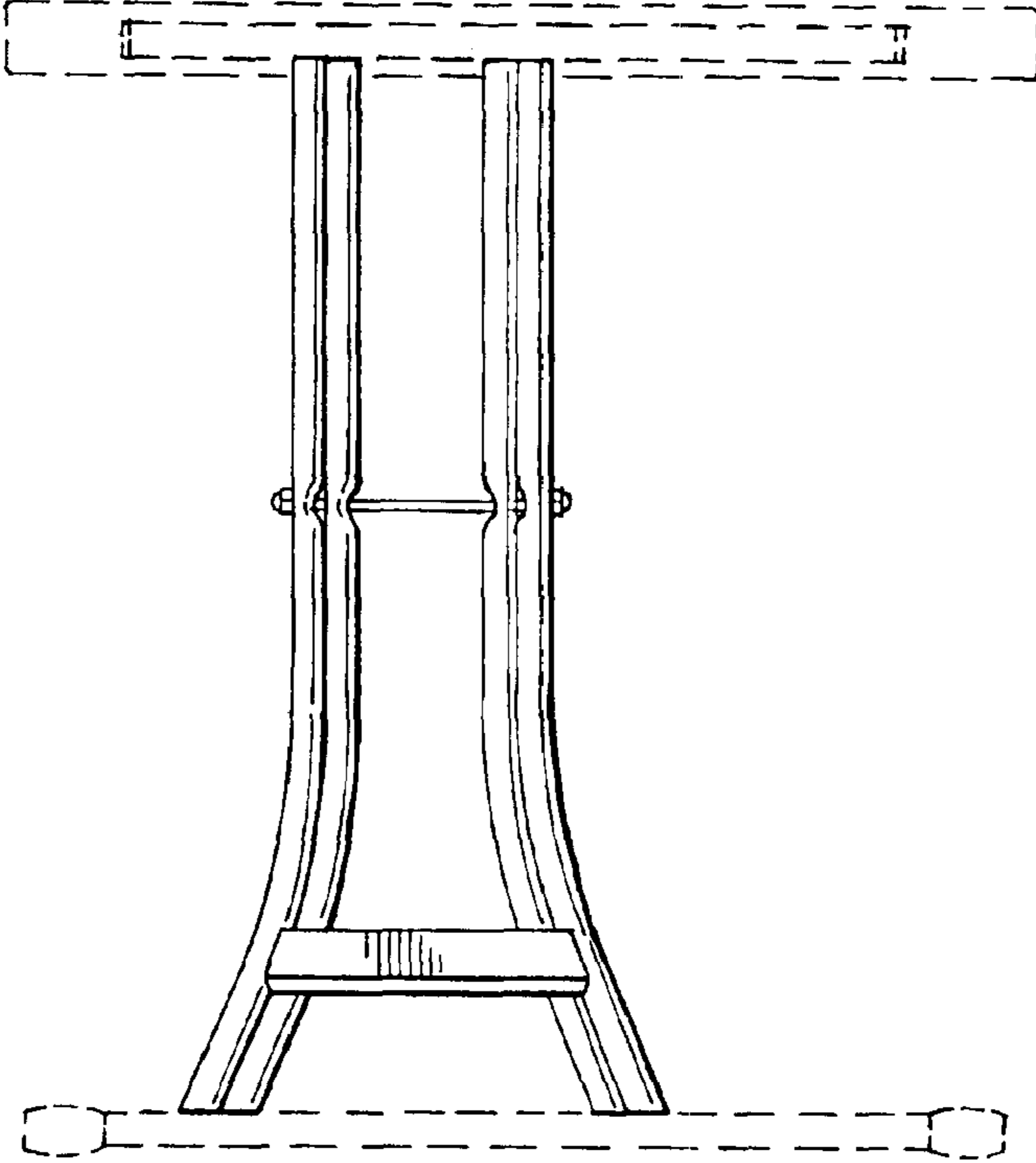


FIG.7

