



US00D502808S

(12) **United States Design Patent**
Hepworth et al.

(10) **Patent No.: US D502,808 S**
(45) **Date of Patent: ** Mar. 15, 2005**

(54) **CONTAINER**

(75) Inventors: **Paul Steabben Hepworth**, Guildford
(GB); **Simon James Skillings**,
Staffordshire (GB)

(73) Assignee: **Turner Intellectual Property Limited**,
Staffordshire (GB)

(**) Term: **14 Years**

(21) Appl. No.: **29/175,694**

(22) Filed: **Feb. 7, 2003**

(30) **Foreign Application Priority Data**

Aug. 9, 2002 (GB) 3006099

(51) **LOC (7) Cl.** **03-01**

(52) **U.S. Cl.** **D3/276; D3/294**

(58) **Field of Search** D3/273, 276, 294,
D3/281, 282, 302, 295; D9/415, 423, 424;
220/200, 212.5, 213, 315, 318

(56) **References Cited**

U.S. PATENT DOCUMENTS

D319,977 S * 9/1991 Curry D9/425
D363,663 S * 10/1995 Plater D9/425

D383,306 S * 9/1997 Pennoyer D3/294
D391,762 S * 3/1998 Ahern, Jr. D3/302
D401,763 S * 12/1998 Wolff D3/273

FOREIGN PATENT DOCUMENTS

GB 2103997 9/2001
GB 2104000 1/2002

* cited by examiner

Primary Examiner—Philip S. Hyder

(74) *Attorney, Agent, or Firm*—Nikolai & Mersereau, P.A.

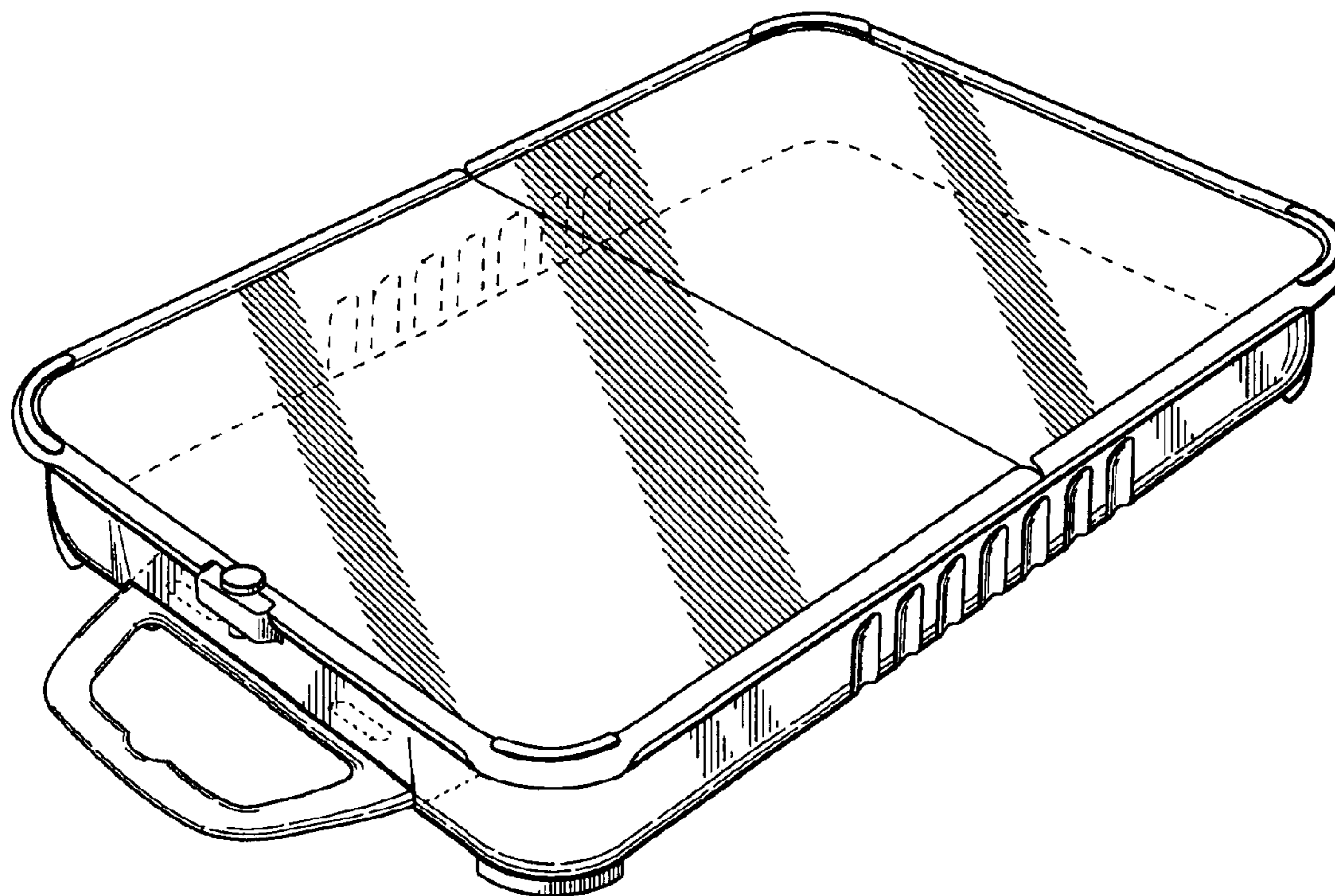
(57) **CLAIM**

The ornamental design for a container, as shown and described.

DESCRIPTION

FIG. 1 is a perspective view from front and above of a container showing the new design; FIG. 2 is a plan view from above thereof; FIG. 3 is a side elevational view thereof; FIG. 4 is a front elevational view thereof; FIG. 5 is a rear elevational view thereof; and, FIG. 6 is a perspective view from front and above showing a lid portion in an open position thereof.

1 Claim, 6 Drawing Sheets



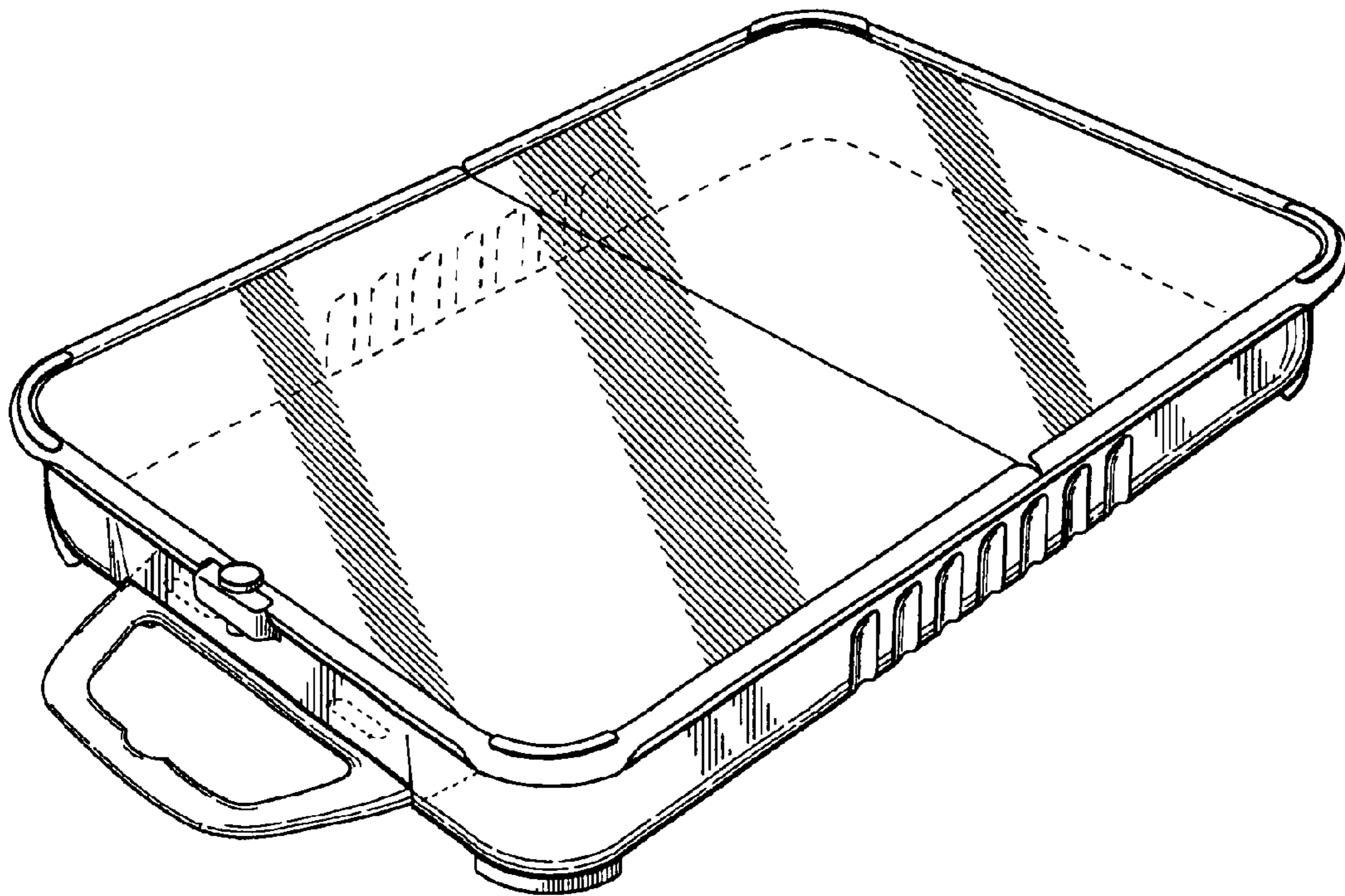


Fig. 1

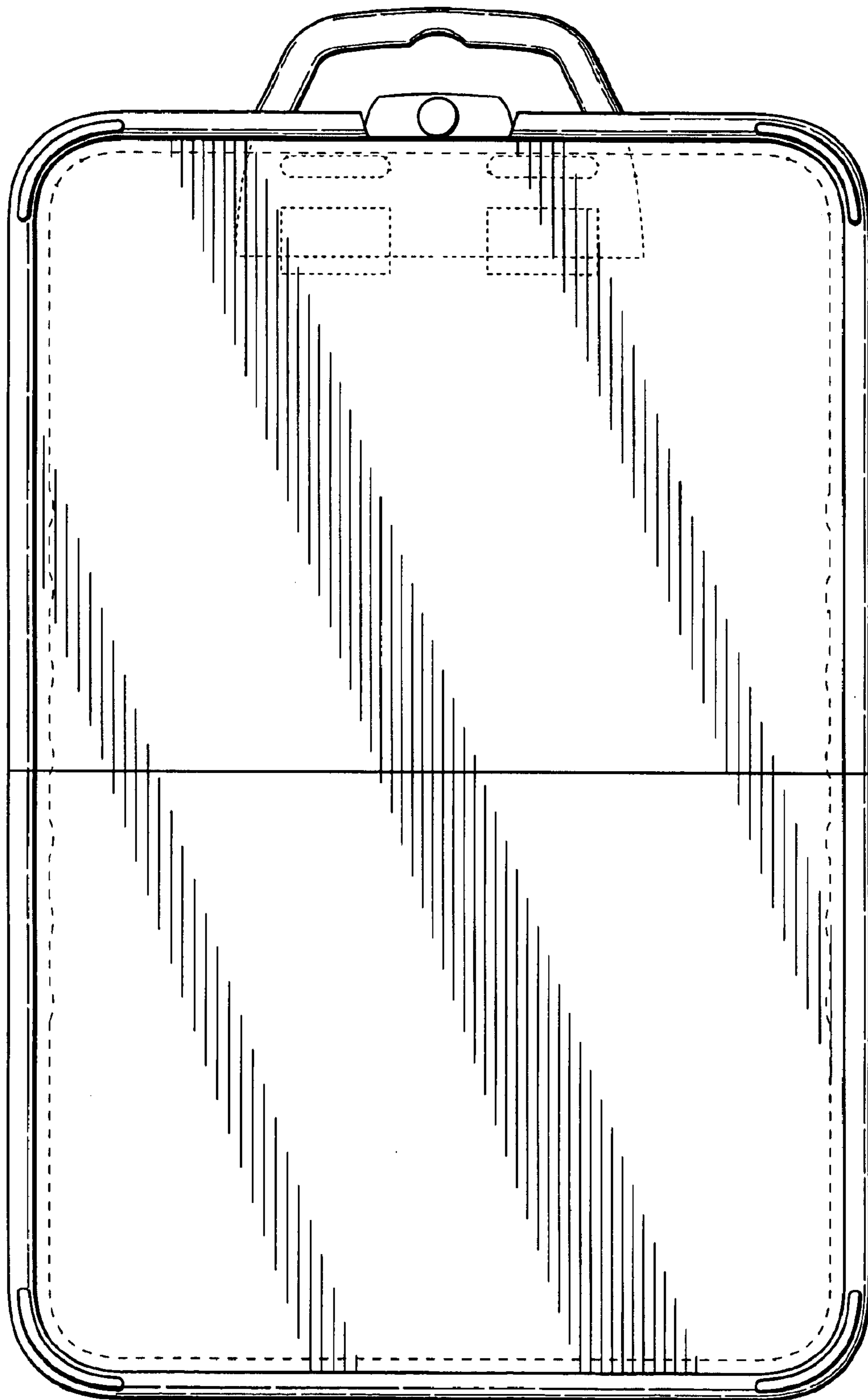


Fig. 2

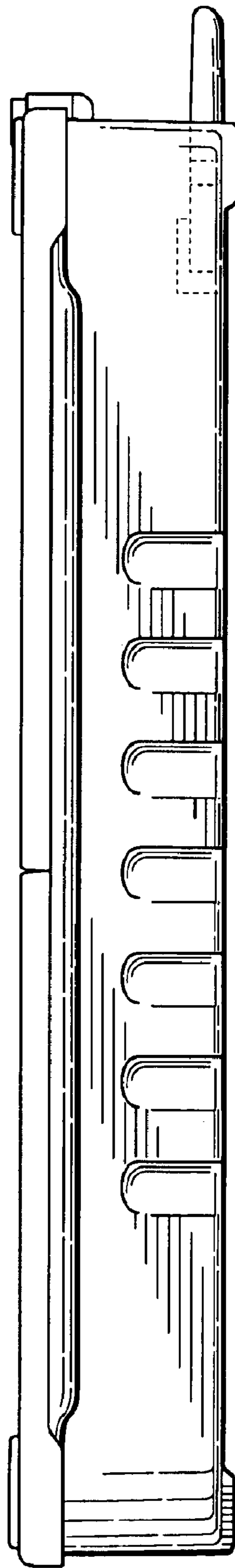


Fig. 3

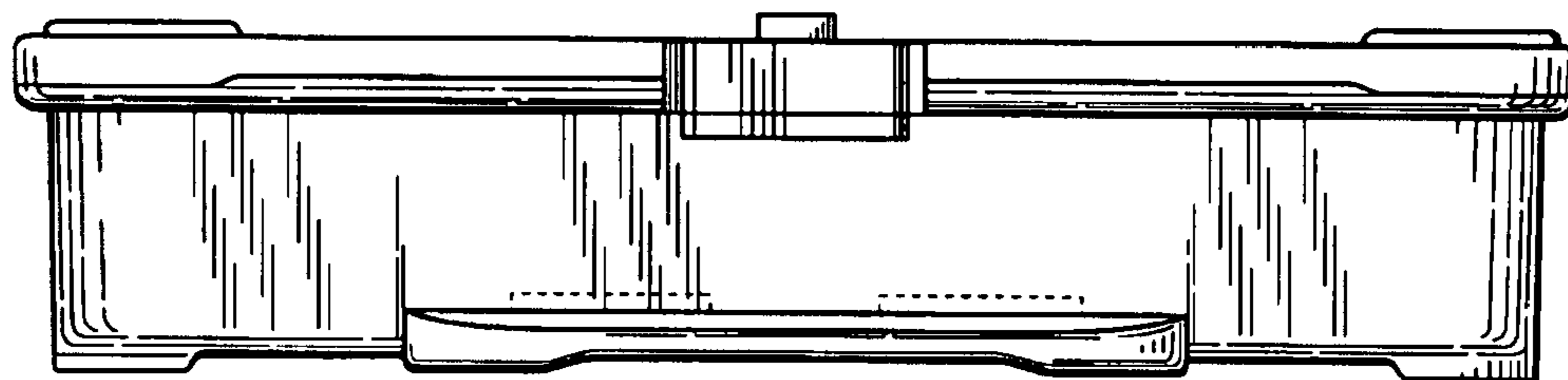


Fig. 4

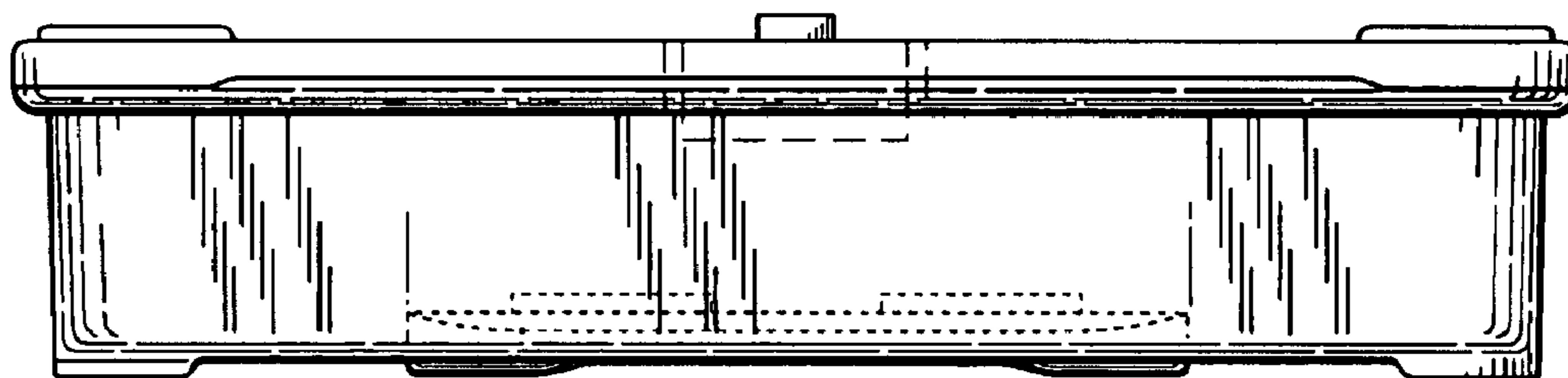


Fig. 5

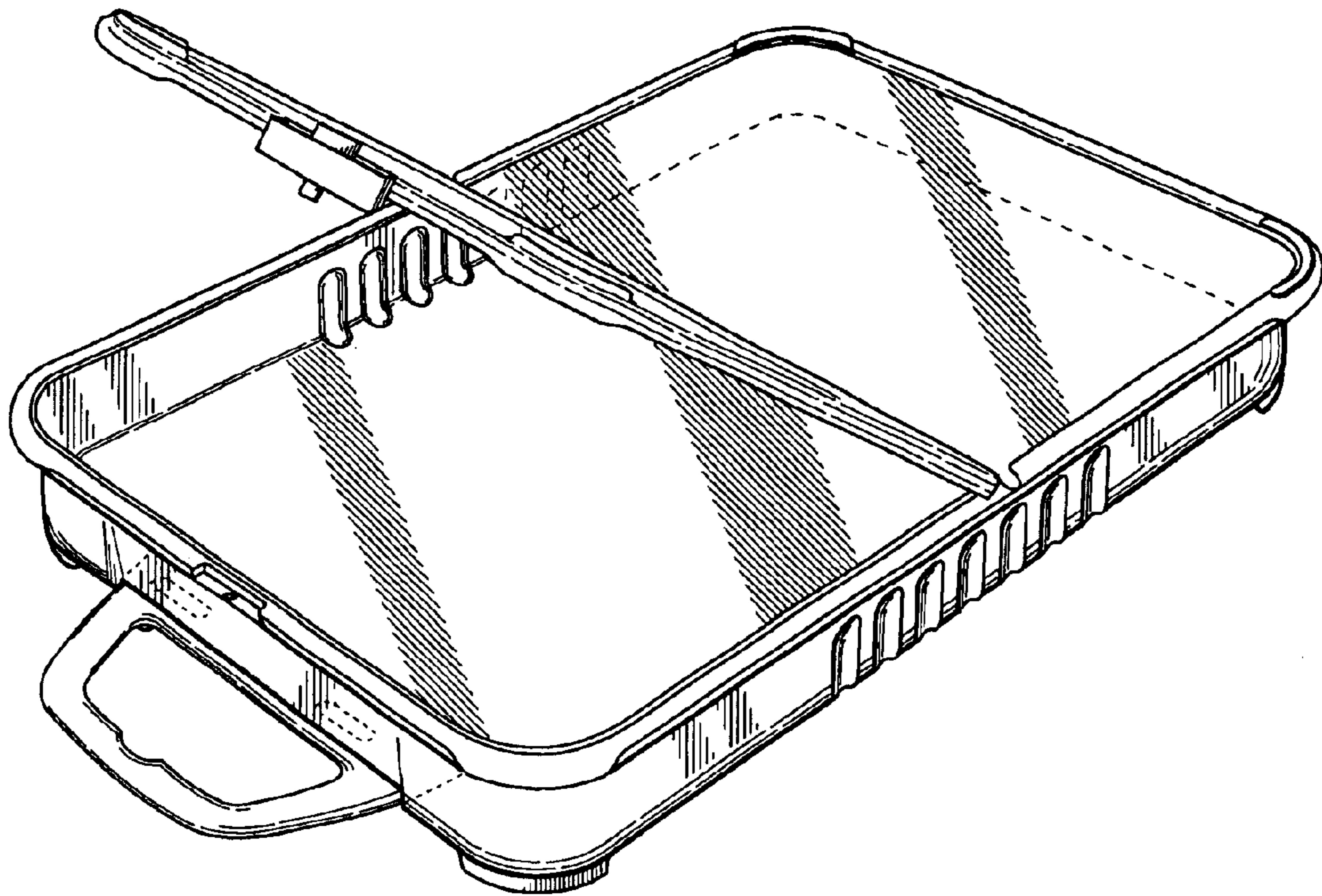


Fig. 6