



US00D502801S

(12) **United States Design Patent** (10) **Patent No.:** **US D502,801 S**
Baum (45) **Date of Patent:** **** Mar. 15, 2005**

(54) **COMBINED PILL DISPENSER AND PILL HOLDER**

(76) Inventor: **Elliot Baum**, 28 Randolph Ave., Dix Hills, NY (US) 11779

(**) Term: **14 Years**

(21) Appl. No.: **29/196,920**

(22) Filed: **Jan. 6, 2004**

(51) **LOC (7) Cl.** **03-01**

(52) **U.S. Cl.** **D3/203.3**

(58) **Field of Search** D3/203.1-203.8; D9/730-737; 206/532-540; D7/553.8

(56) **References Cited**

U.S. PATENT DOCUMENTS

D195,734 S	*	7/1963	Beumann	D3/203.4
D387,552 S	*	12/1997	Hayman	D3/203.2
D451,666 S	*	12/2001	Zastrow	D3/203.3
D460,897 S	*	7/2002	Leuenberger	D7/553.8
D473,786 S	*	4/2003	Chue	D3/203.4
D485,979 S	*	2/2004	Chue	D3/203.2

* cited by examiner

Primary Examiner—Catherine R. Oliver

(74) *Attorney, Agent, or Firm*—Frishauf, Holtz, Goodman & Chick, P.C.

(57) **CLAIM**

The ornamental design for a combined pill dispenser and pill holder, as shown and described.

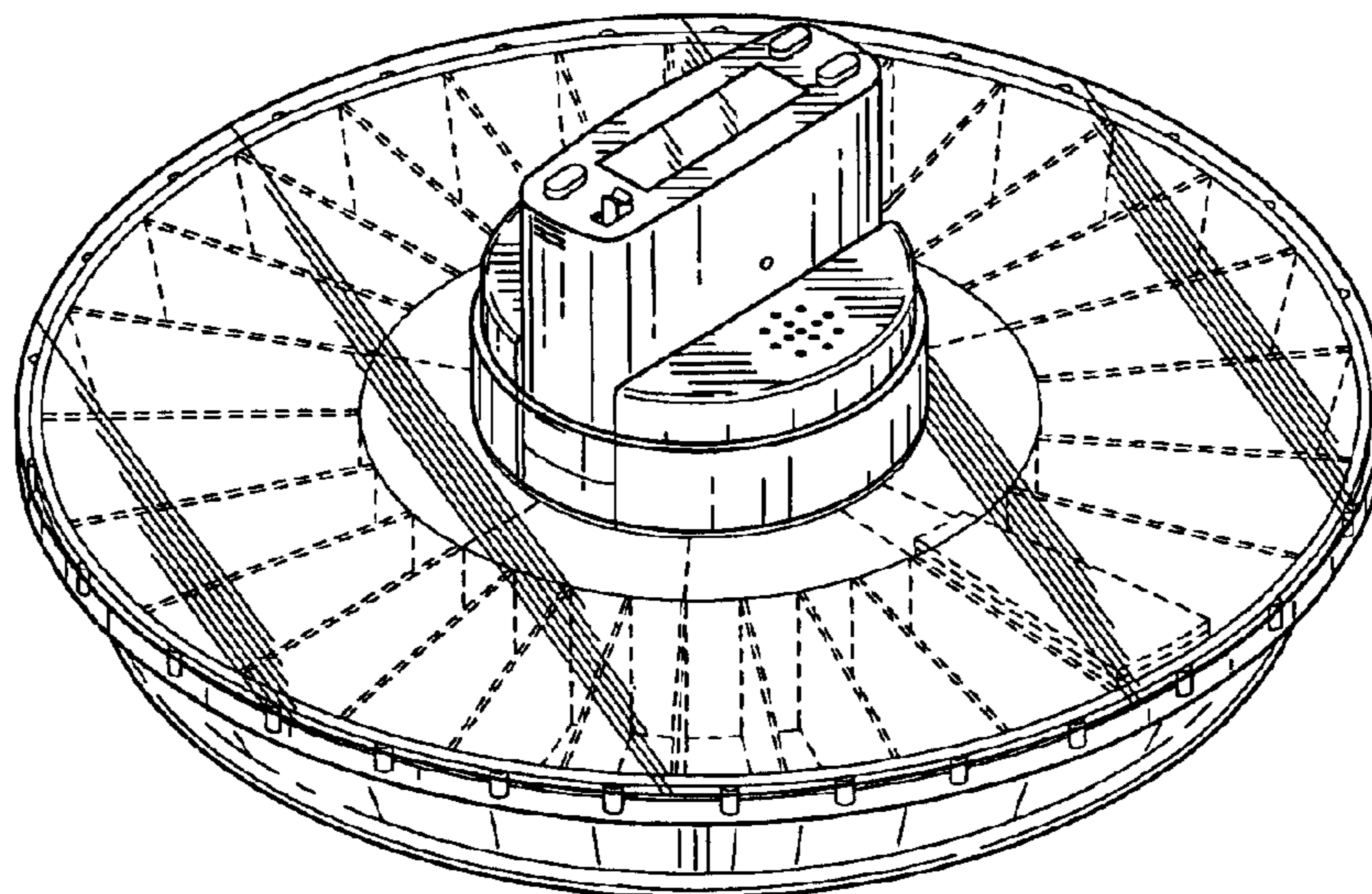
DESCRIPTION

FIG. 1 is a front, top, left-side perspective view of a combined pill dispenser and pill holder showing my new design;

FIG. 2 is a front elevational view thereof;
 FIG. 3 is a top plan view thereof;
 FIG. 4 is a rear elevational view thereof
 FIG. 5 is a bottom plan view thereof;
 FIG. 6 is a right side view thereof;
 FIG. 7 is a left side view thereof;
 FIG. 8 is a front, top, left-side perspective view of a modified embodiment of a combined pill dispenser and pill holder, the bottom plan view being the same as shown in FIG. 5;
 FIG. 9 is a rear elevational view thereof;
 FIG. 10 is a top plan view thereof;
 FIG. 11 is a right side view thereof, the left side view being a mirror image thereof;
 FIG. 12 is a front, top, left-side perspective view of the pill holder of the combined pill dispenser and pill holder shown in FIGS. 1-7;
 FIG. 13 is a front elevational view thereof;
 FIG. 14 is a right side view thereof;
 FIG. 15 is a left side view thereof;
 FIG. 16 is a rear elevational view thereof;
 FIG. 17 is a top plan view thereof;
 FIG. 18 is a bottom plan view thereof;
 FIG. 19 is a front, top, left-side perspective view of the pill holder of the combined pill dispenser and pill holder shown in FIGS. 8-11;
 FIG. 20 is a front elevational view thereof;
 FIG. 21 is a right side view thereof;
 FIG. 22 is a left side view thereof;
 FIG. 23 is a rear elevational view thereof;
 FIG. 24 is a top plan view thereof; and,
 FIG. 25 is a bottom plan view thereof.

The broken line showing of environment in the drawings is for illustrative purposes only and forms no part of the claimed design.

1 Claim, 8 Drawing Sheets



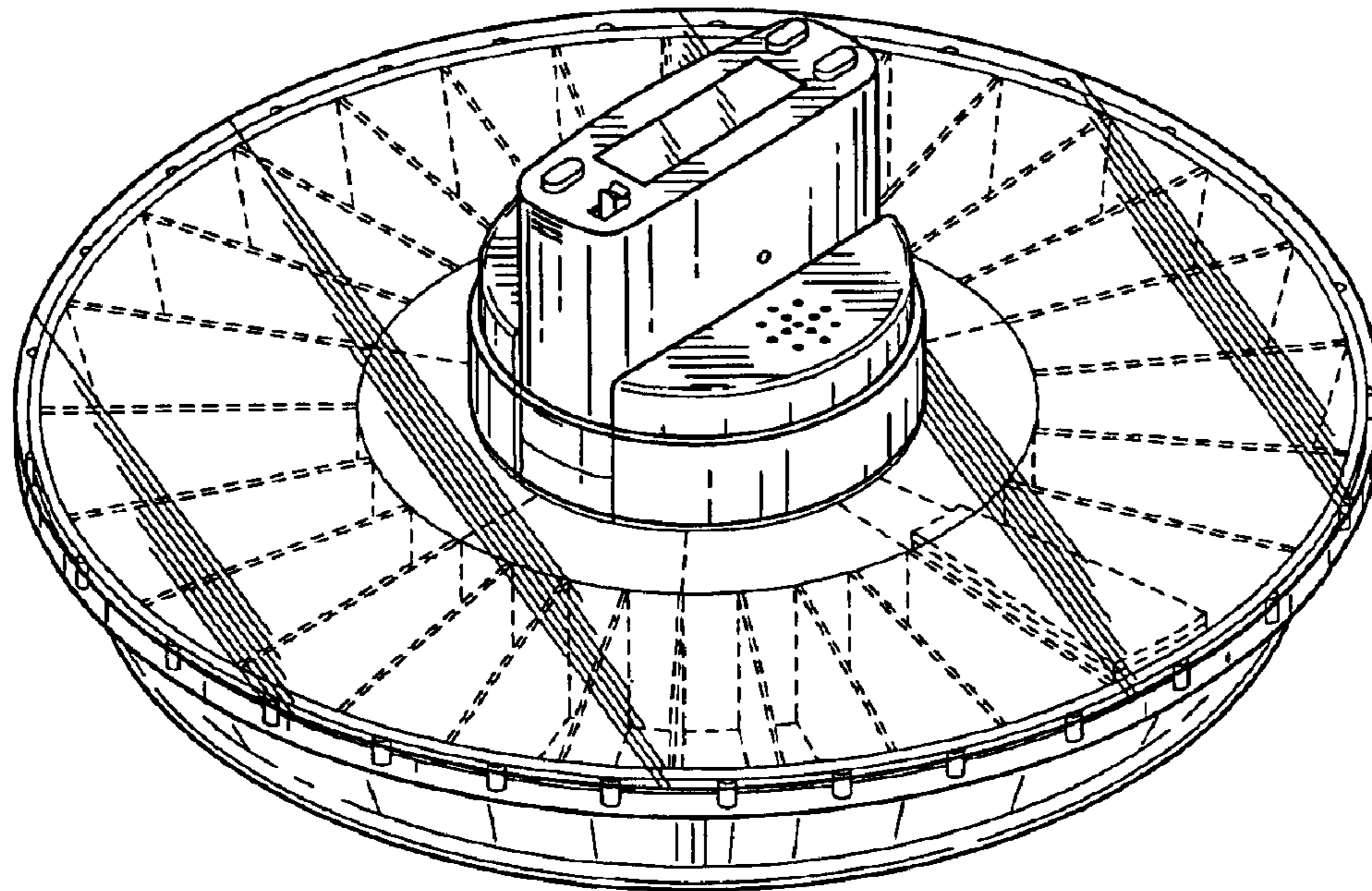


FIG. 1

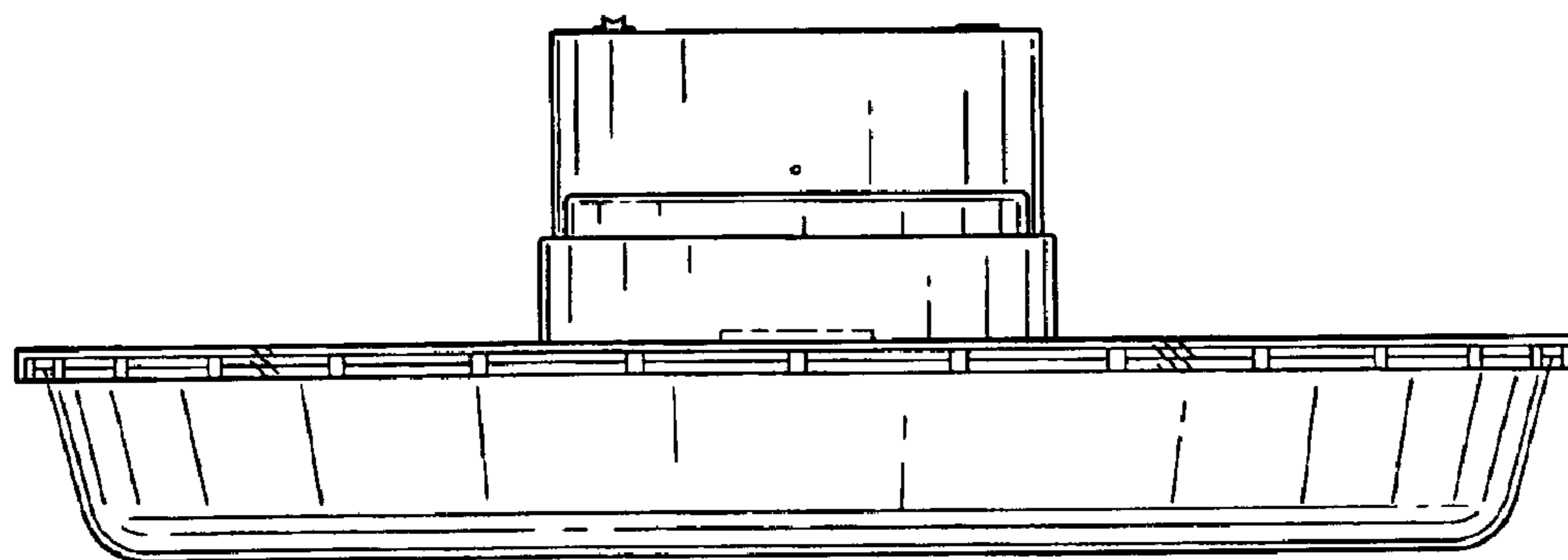


FIG. 2

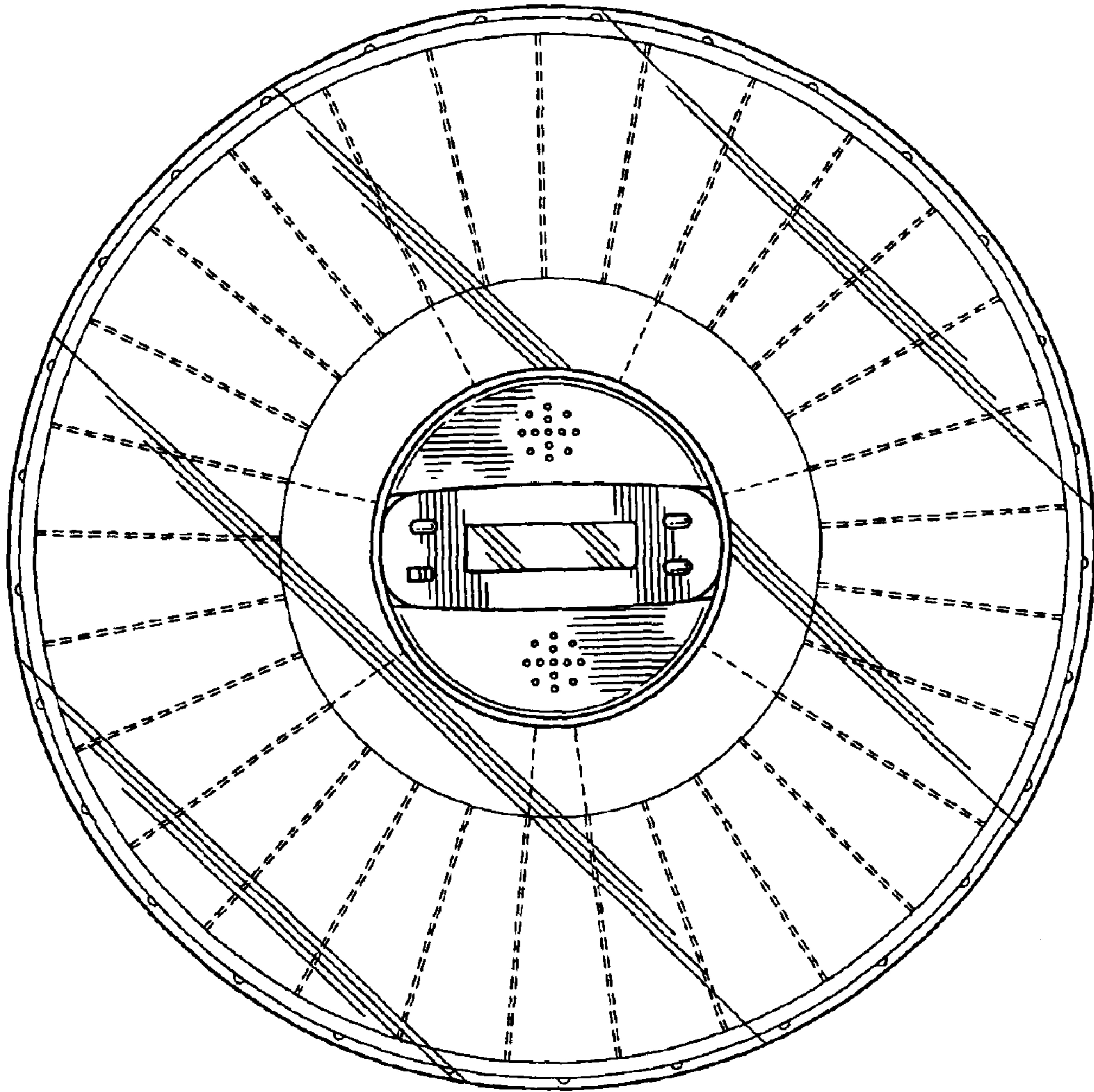


FIG. 3

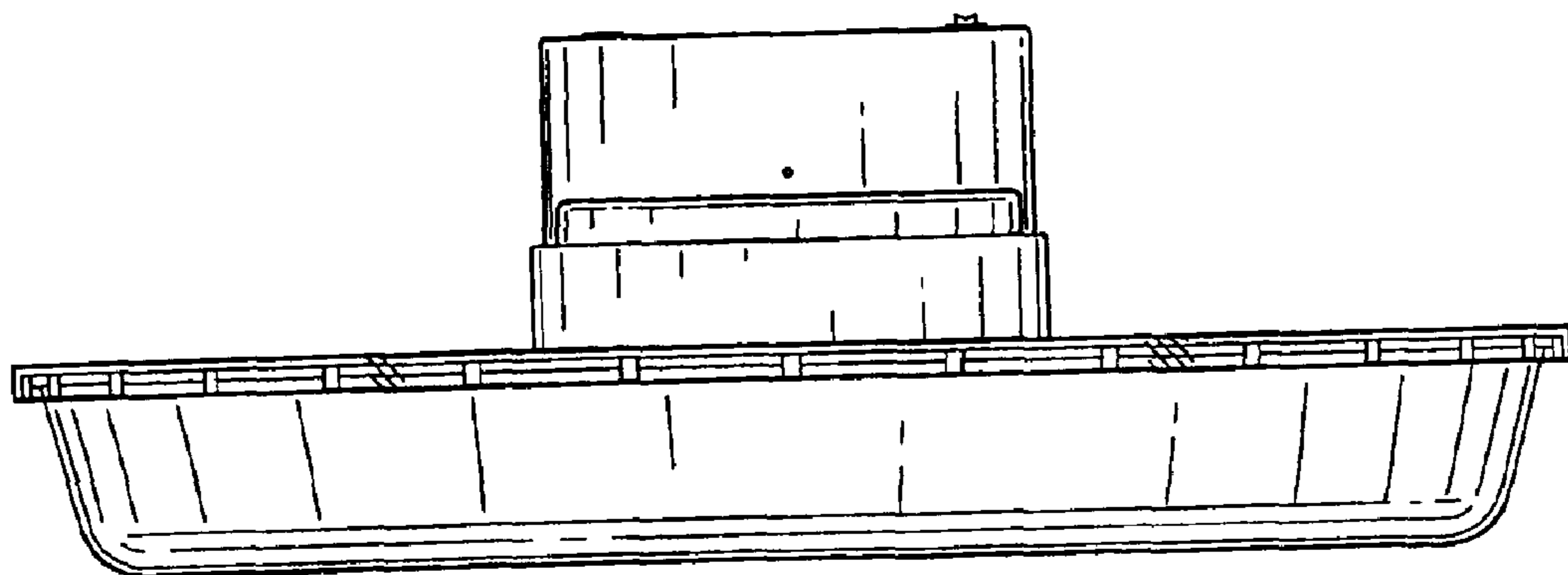


FIG. 4

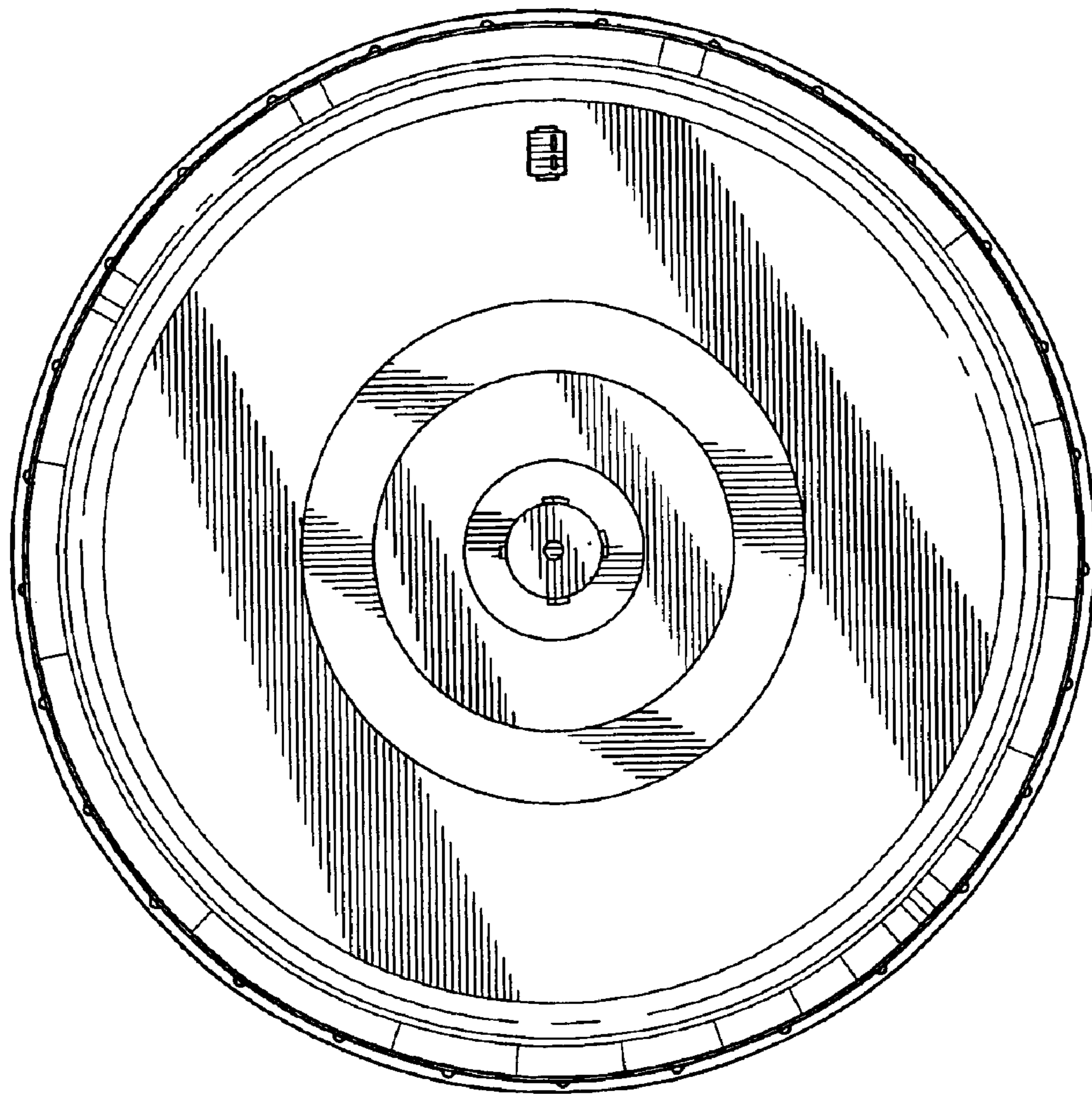


FIG. 5

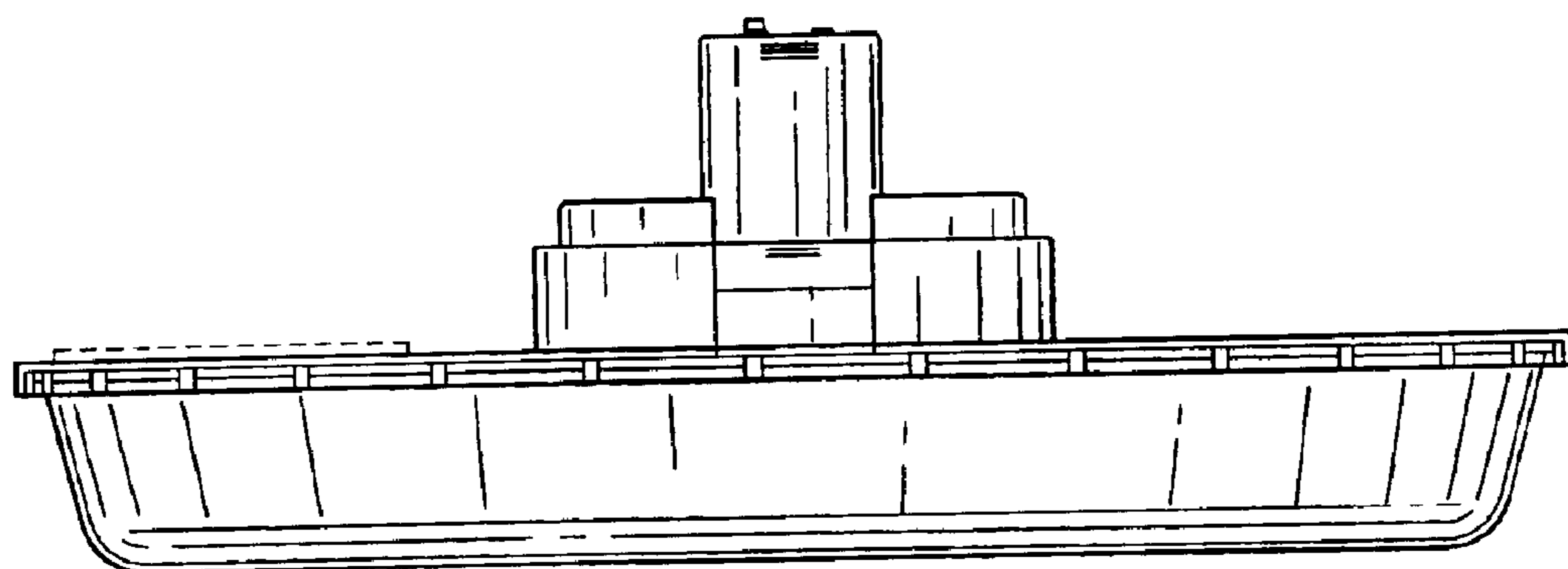


FIG. 6

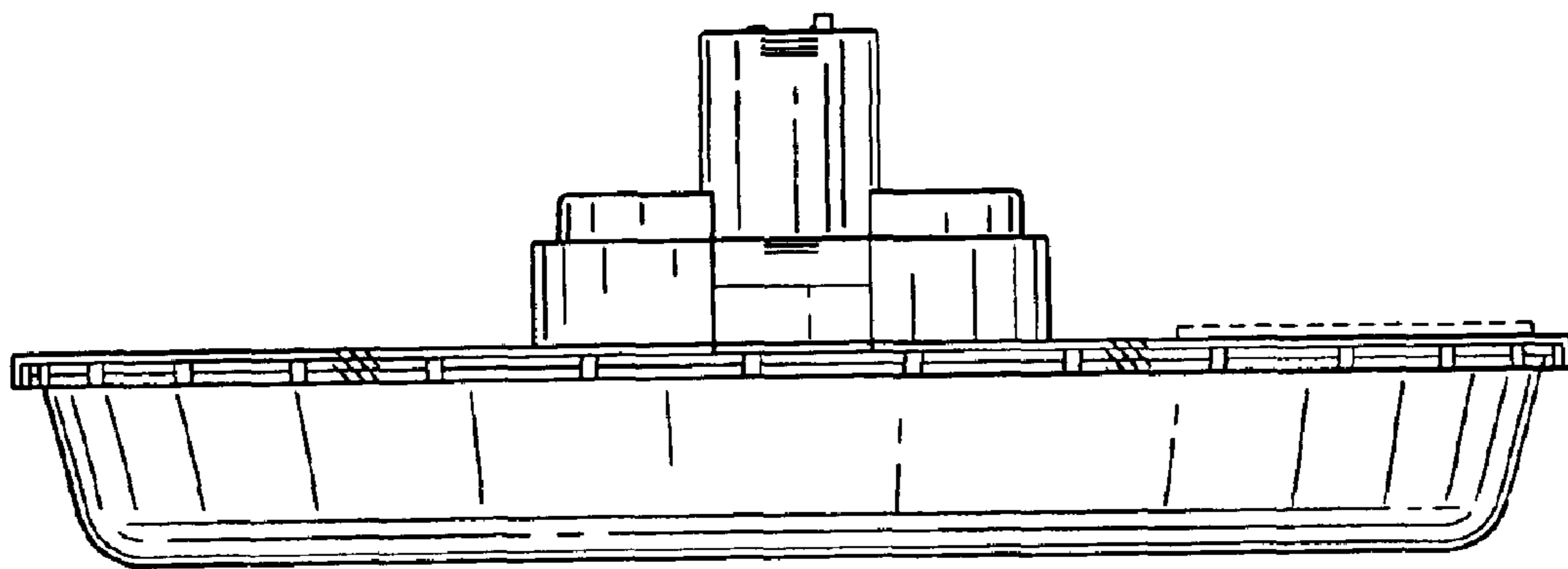


FIG. 7

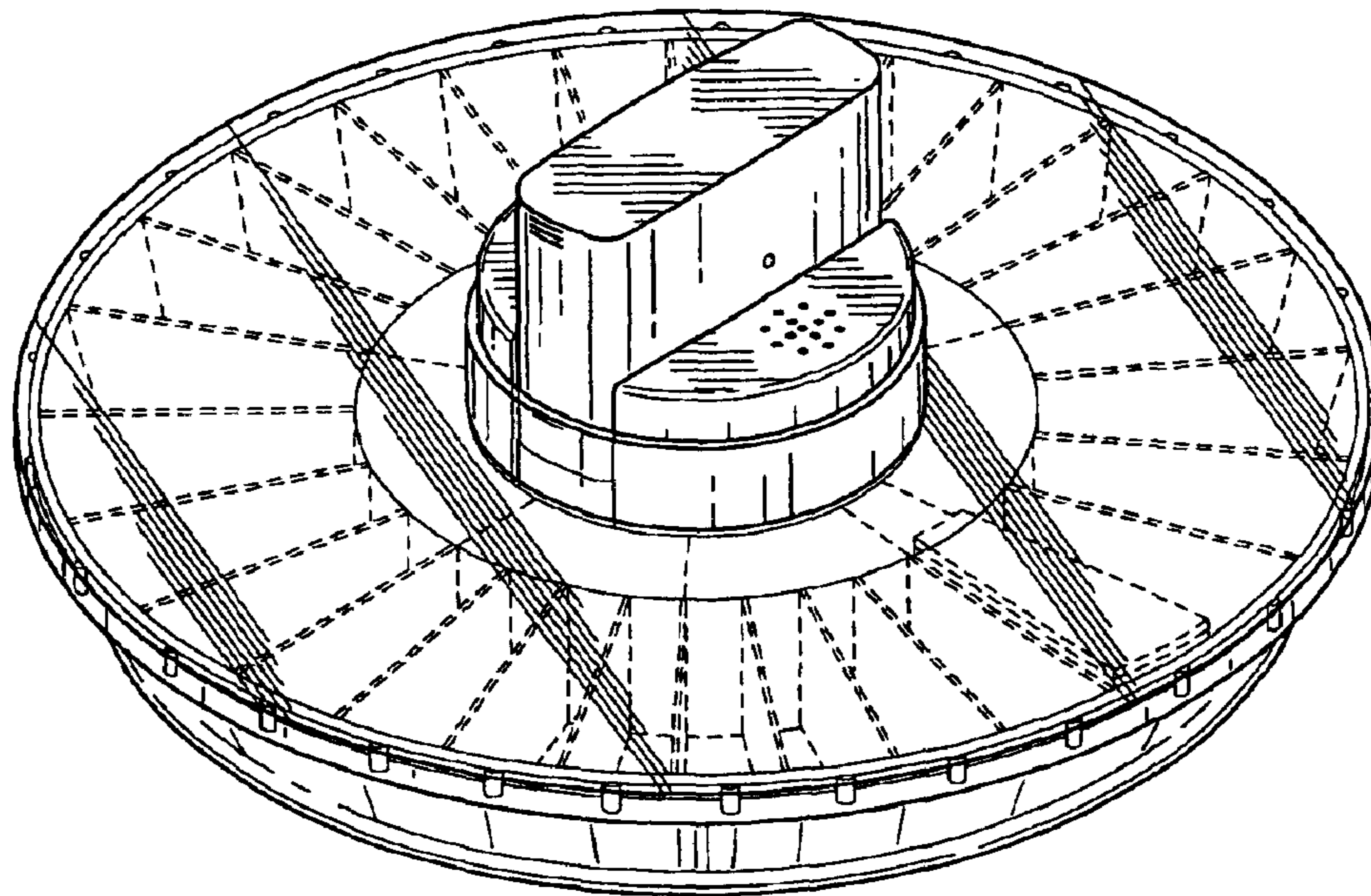


FIG. 8

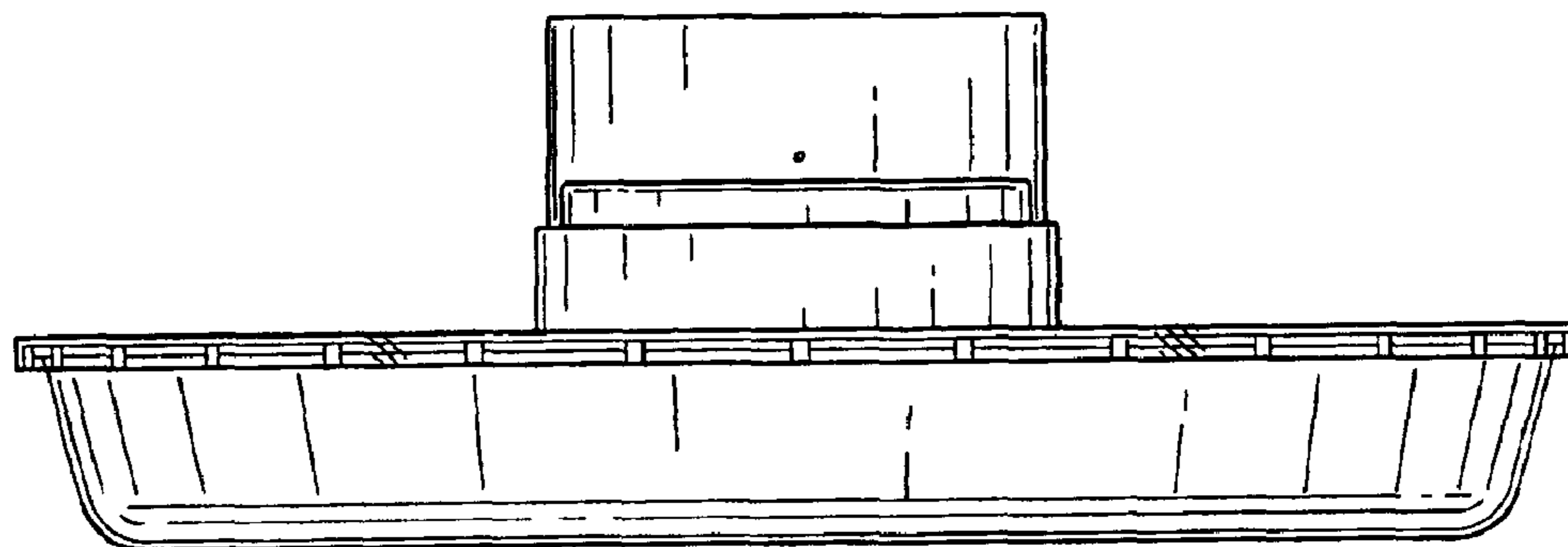


FIG. 9

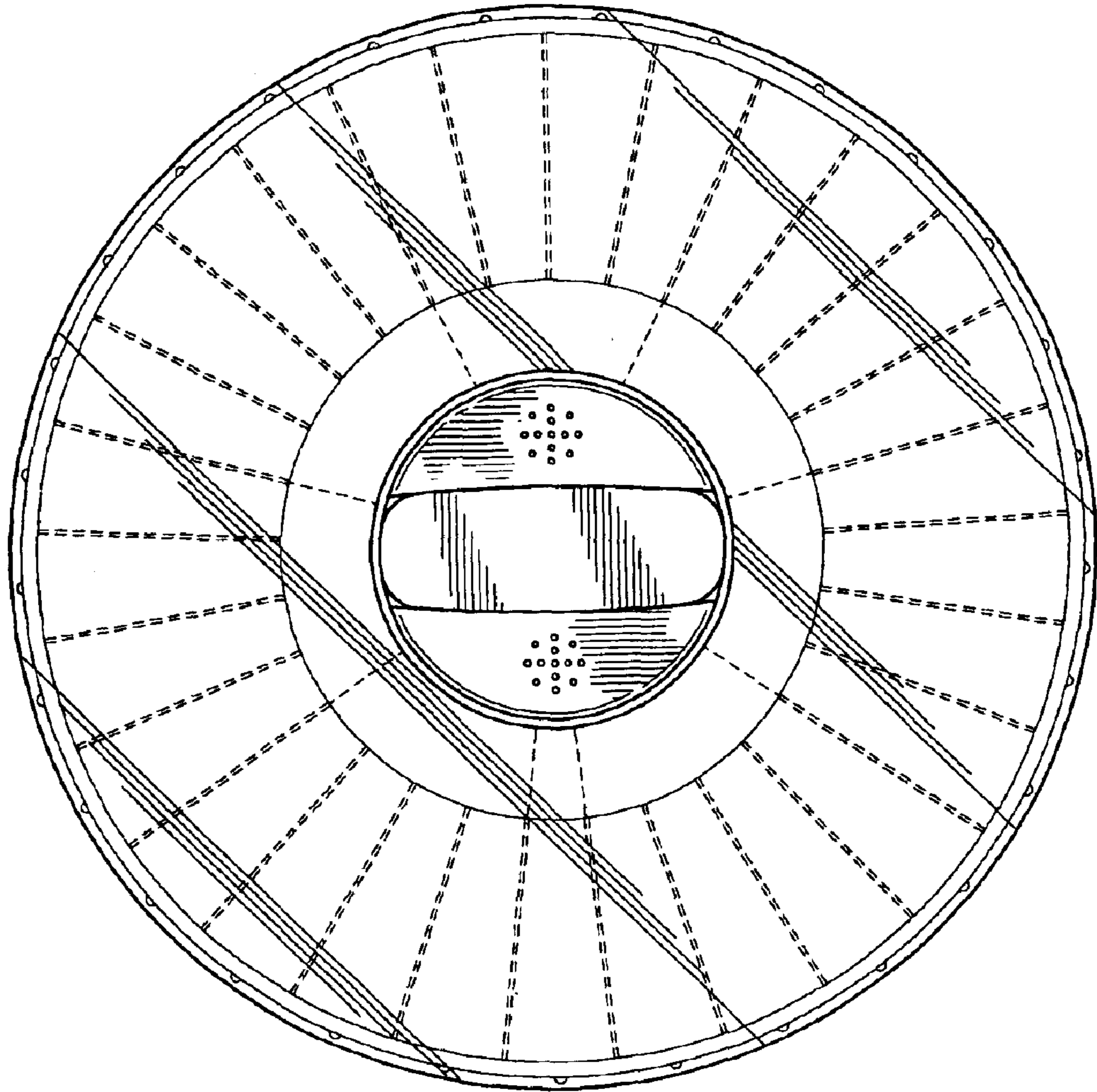


FIG. 10

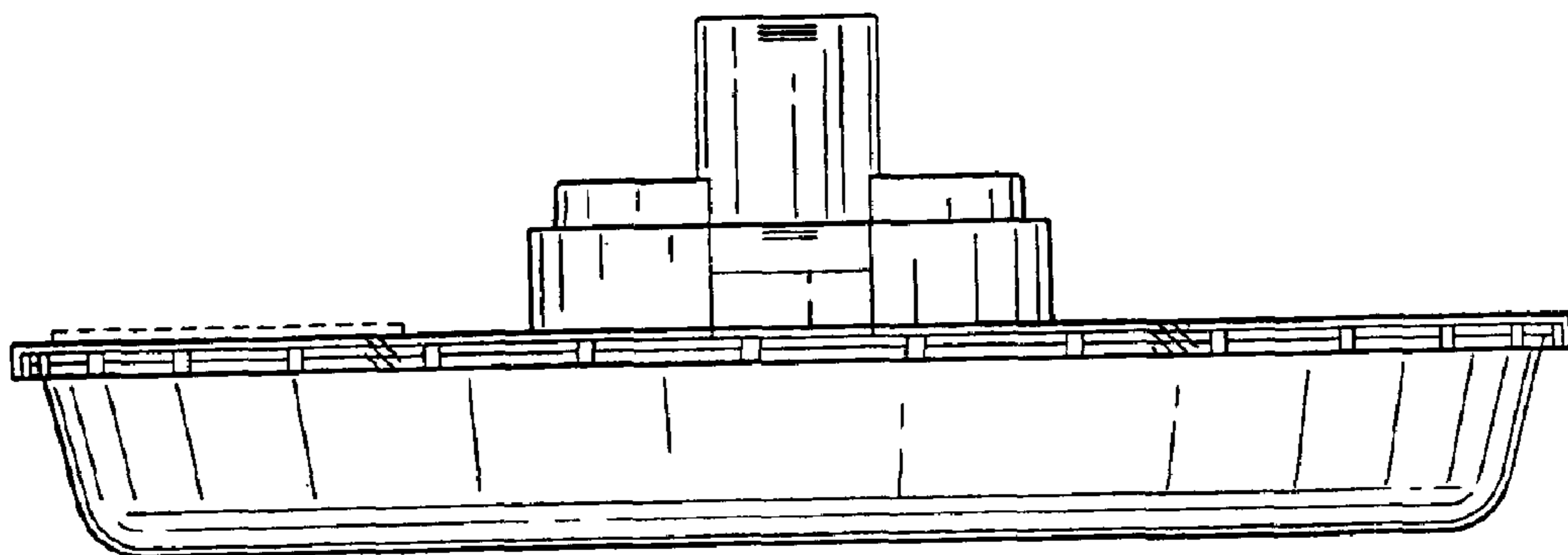


FIG. 11

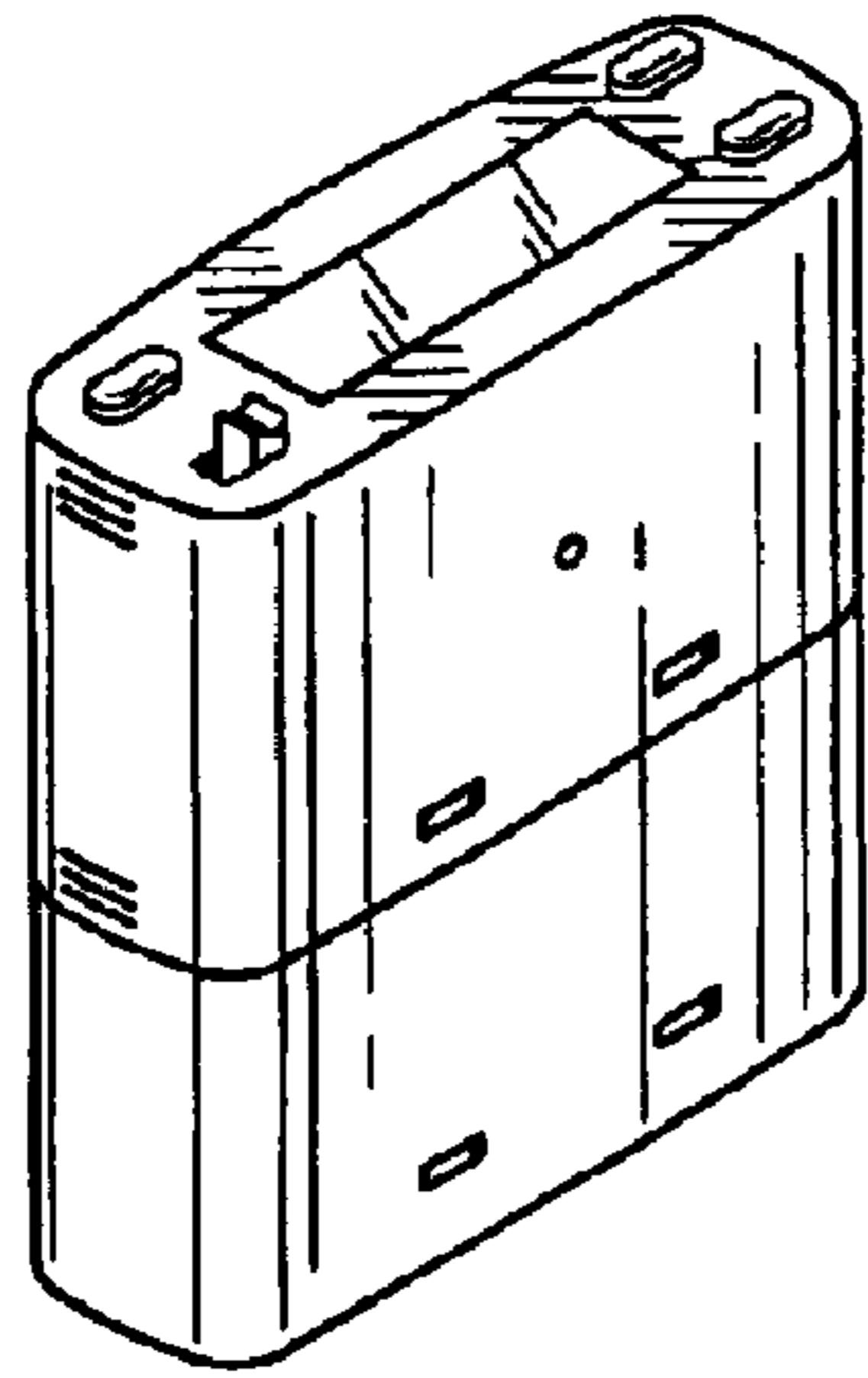


FIG. 12

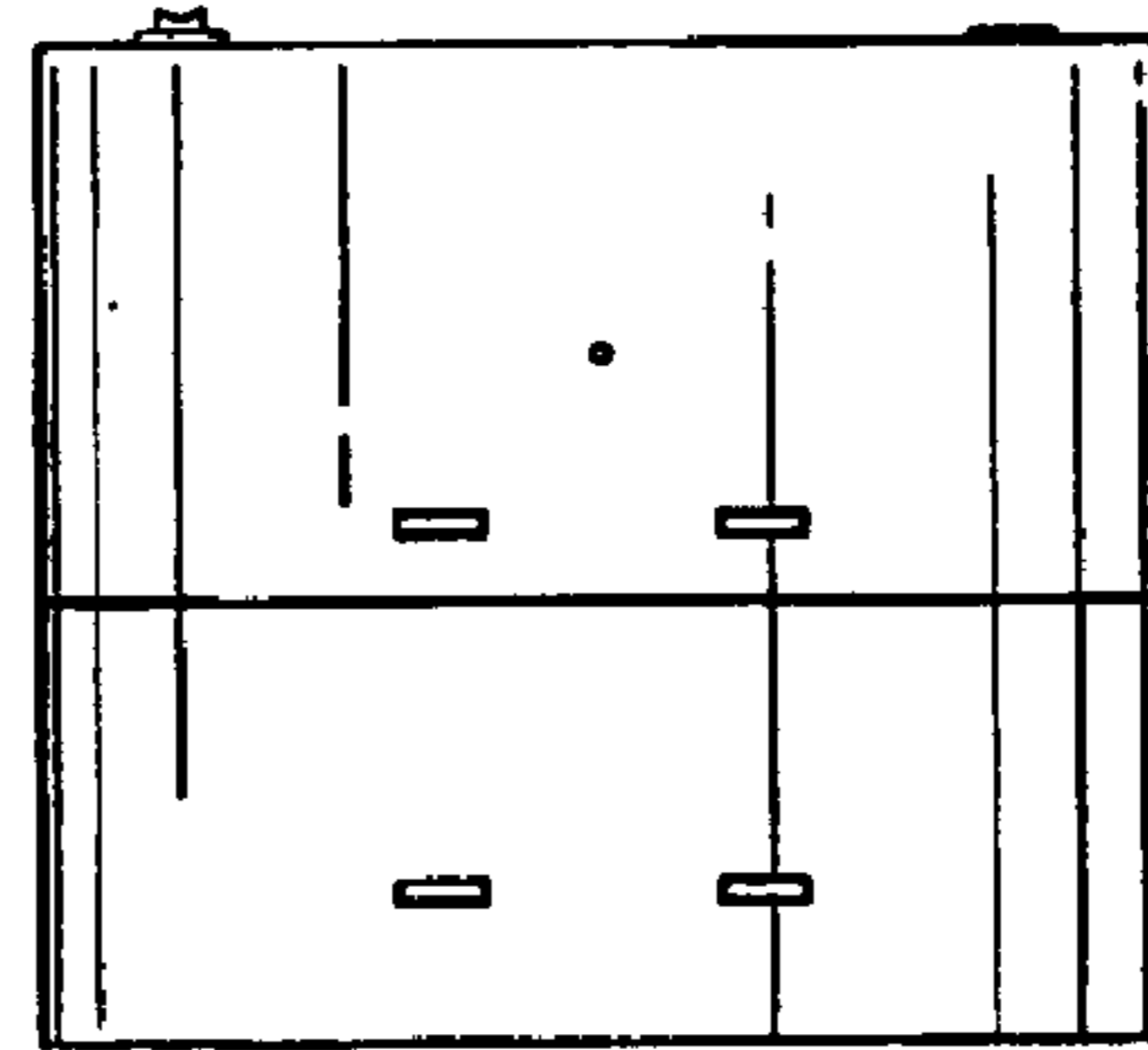


FIG. 13



FIG. 14



FIG. 15

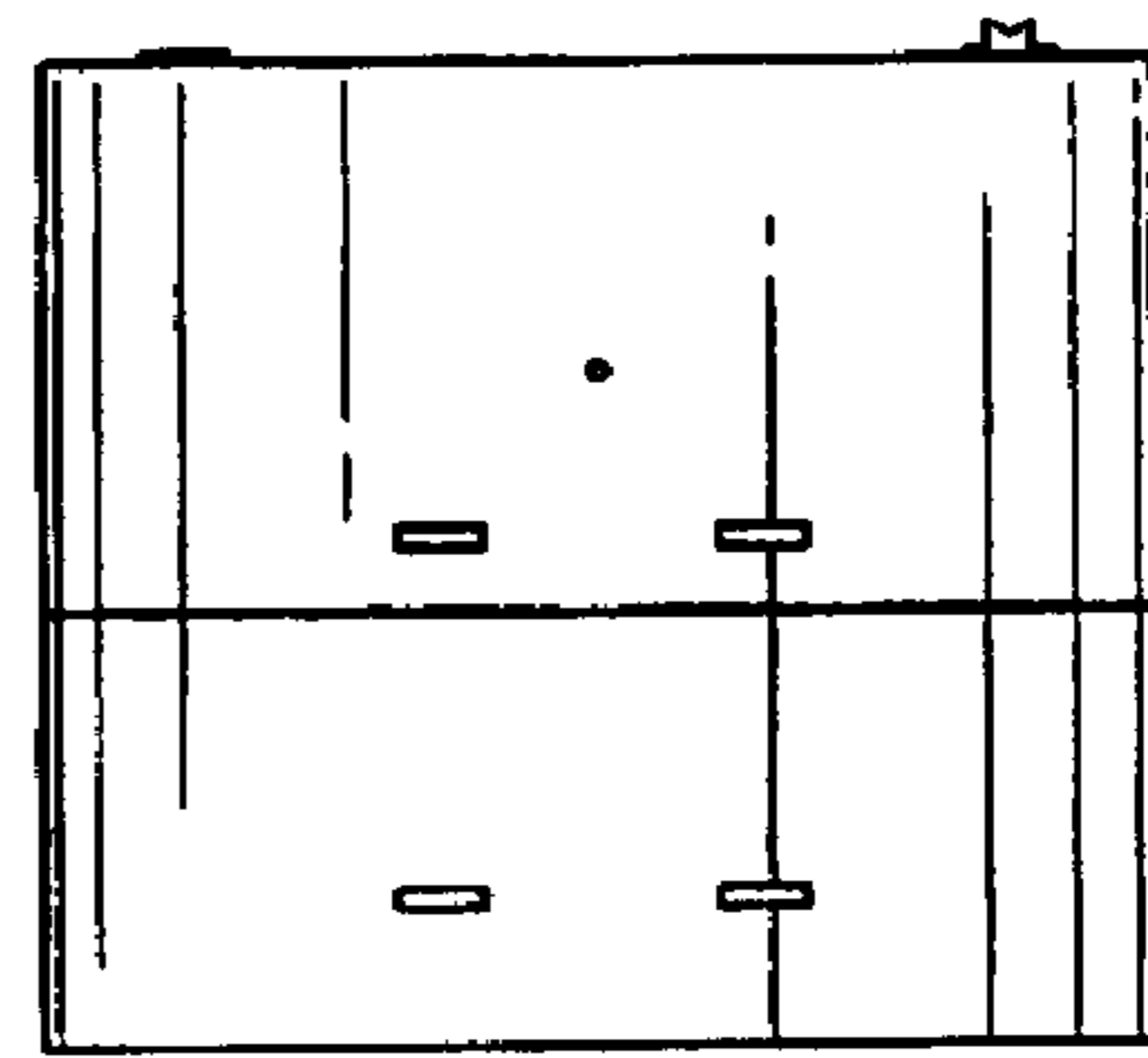


FIG. 16

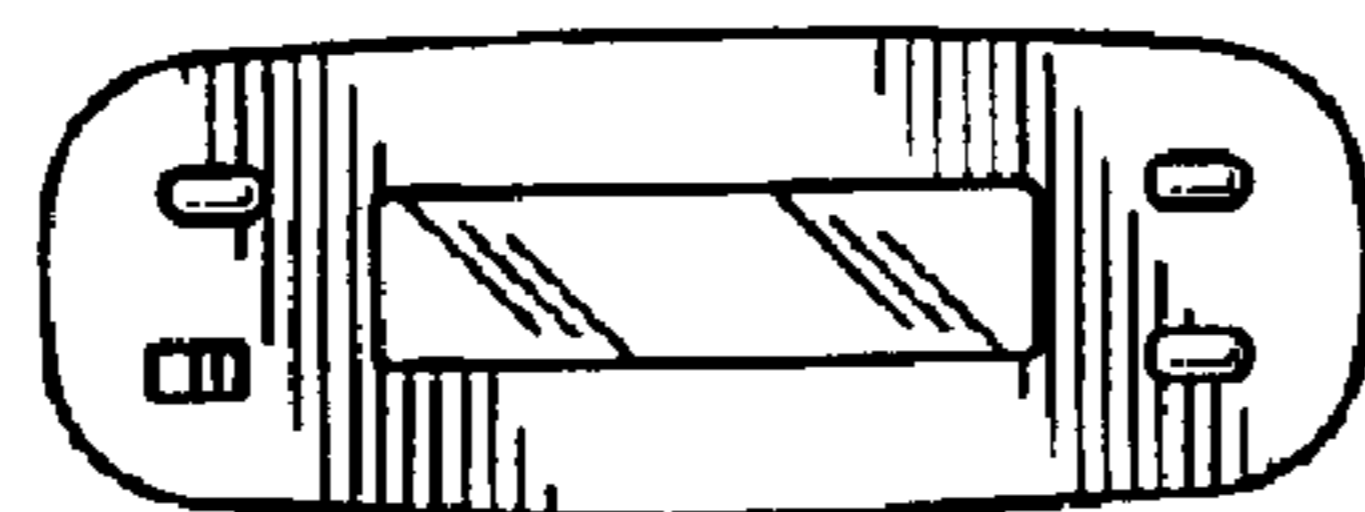


FIG. 17

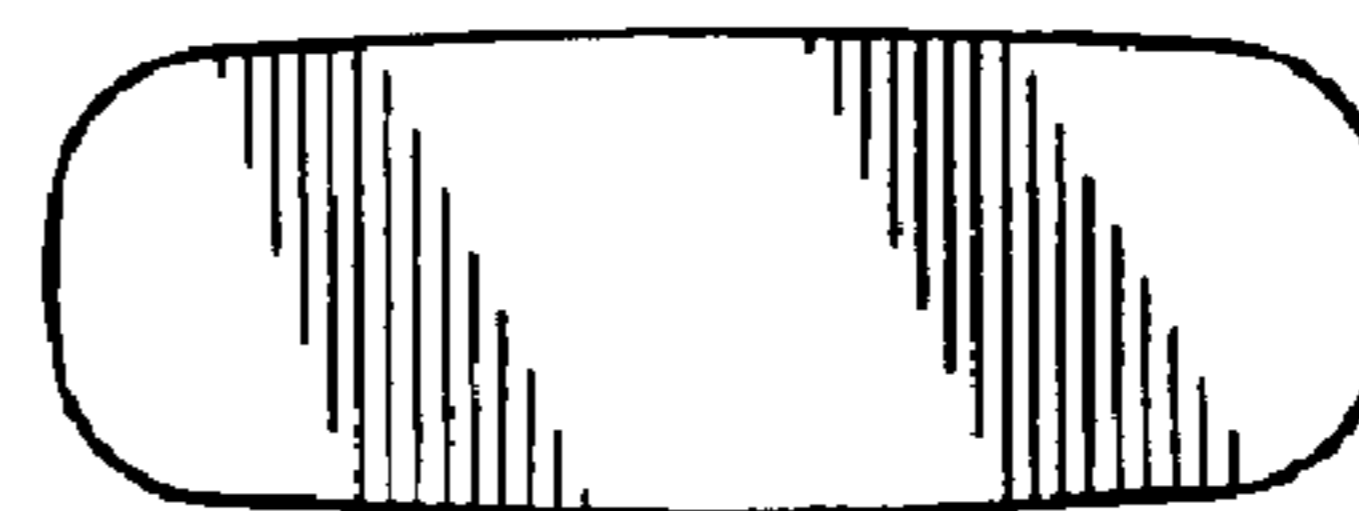


FIG. 18

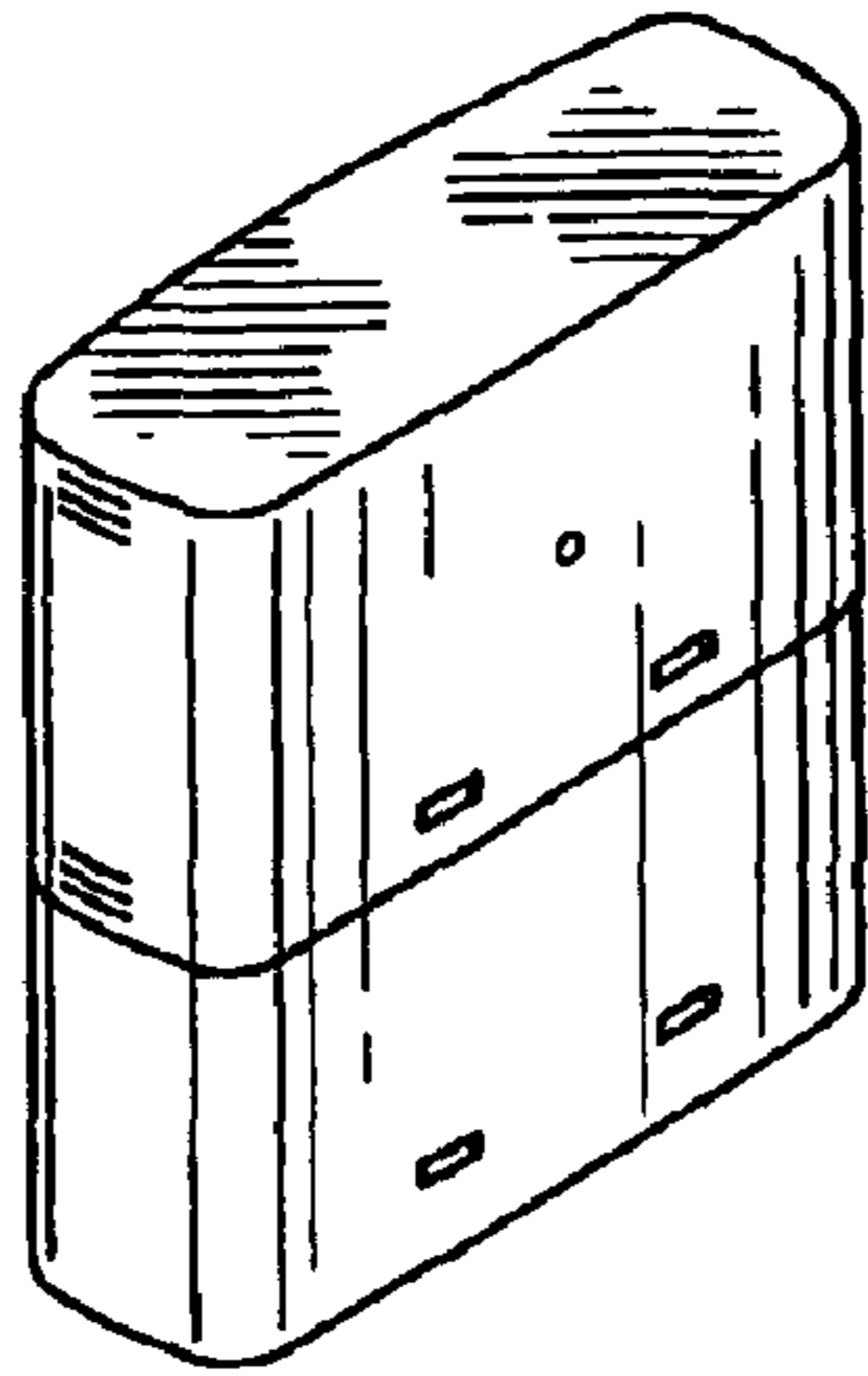


FIG. 19

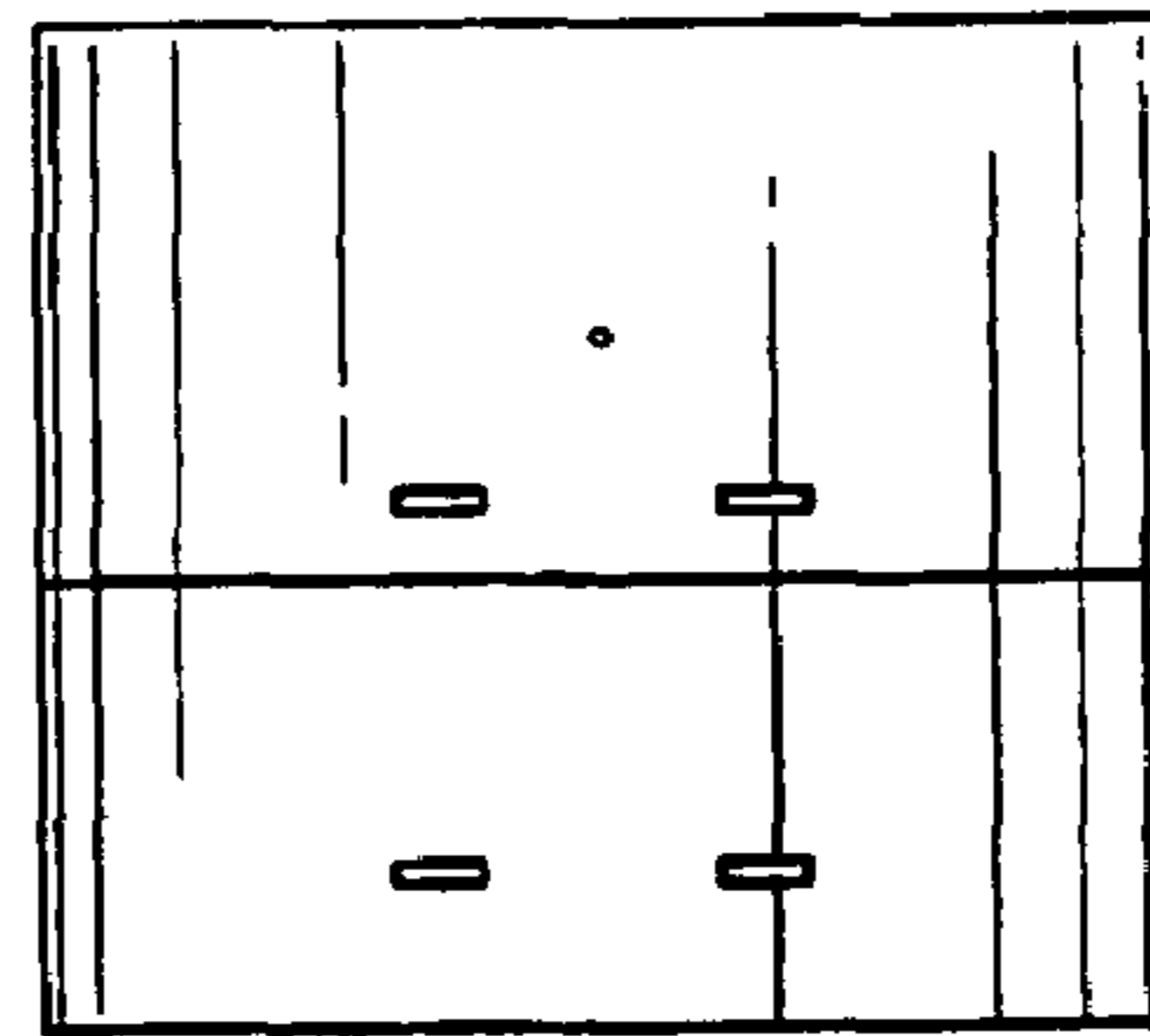


FIG. 20



FIG. 21



FIG. 22

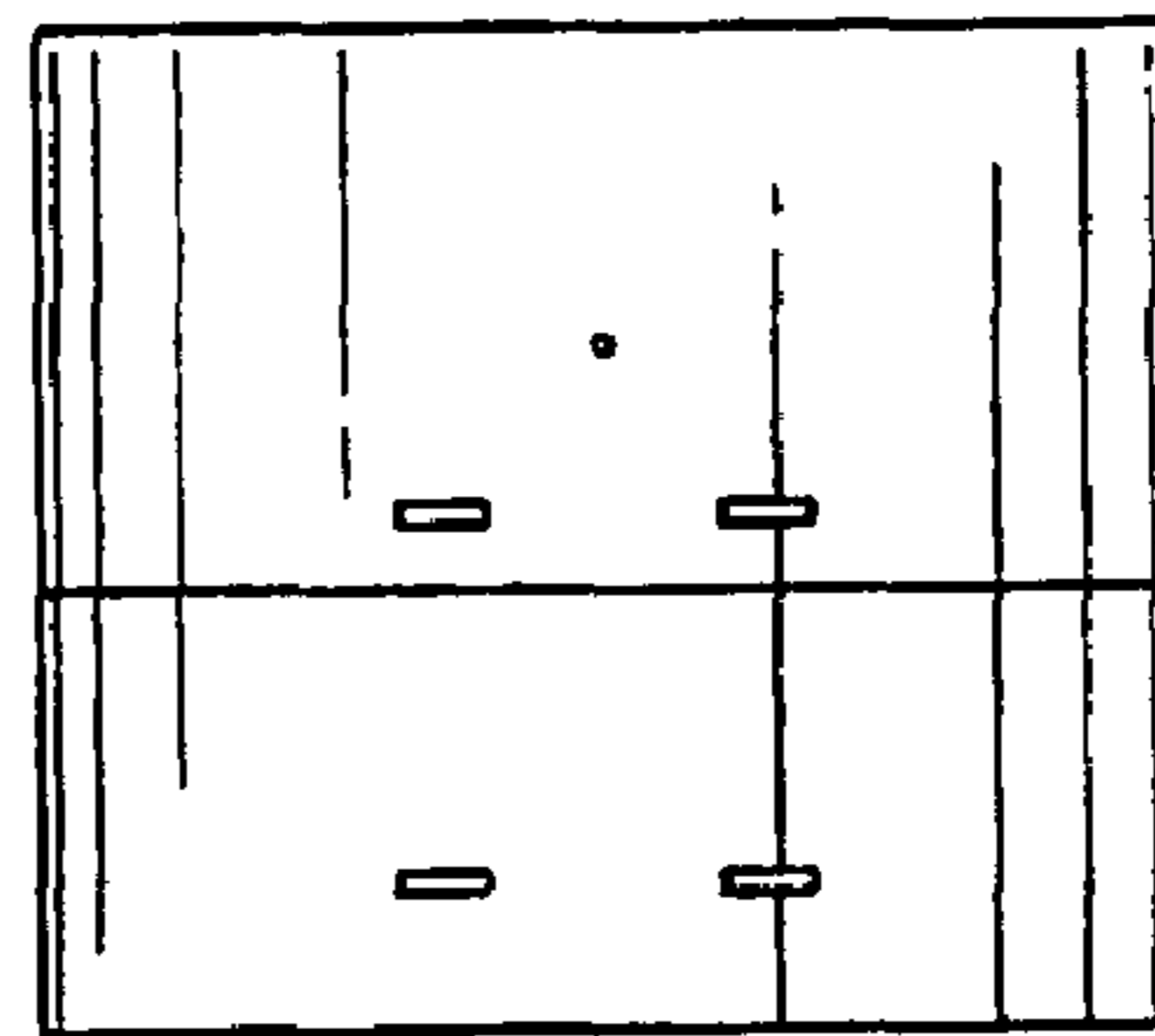


FIG. 23



FIG. 24

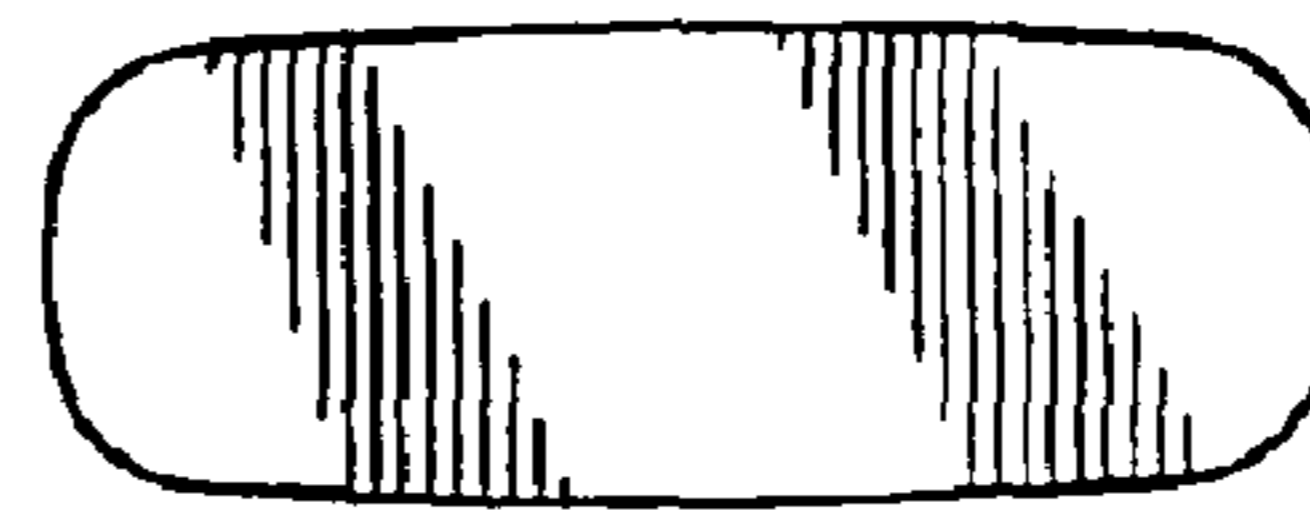


FIG. 25