

US00D502800S

(12) **United States Design Patent**
Snyders

(10) **Patent No.:** **US D502,800 S**
(45) **Date of Patent:** **** Mar. 15, 2005**

(54) **UP-AND-OVER SCREEN ASSEMBLY**

FOREIGN PATENT DOCUMENTS

(76) **Inventor:** **Mark Snyders**, 4 Alexandria Parade,
Coogee, N.S.W. 2034 (AU)

AU 20021598 * 5/2002
AU 3389/2002 * 10/2002

(**) **Term:** **14 Years**

* cited by examiner

(21) **Appl. No.:** **29/180,128**

Primary Examiner—Robert A. Delehanty
(74) *Attorney, Agent, or Firm*—Smith-Hill and Bedell

(22) **Filed:** **Apr. 16, 2003**

(57) **CLAIM**

(30) **Foreign Application Priority Data**

The new and ornamental design for an improved up-and-over screen assembly, as shown and described.

Oct. 29, 2002 (AU) 3389/2002

(51) **LOC (7) Cl.** **03-03**

DESCRIPTION

(52) **U.S. Cl.** **D3/5**

(58) **Field of Search** D3/5-6, 10-17;
135/98, 15.1, 16, 20.1, 25.1, 27; 297/184.16

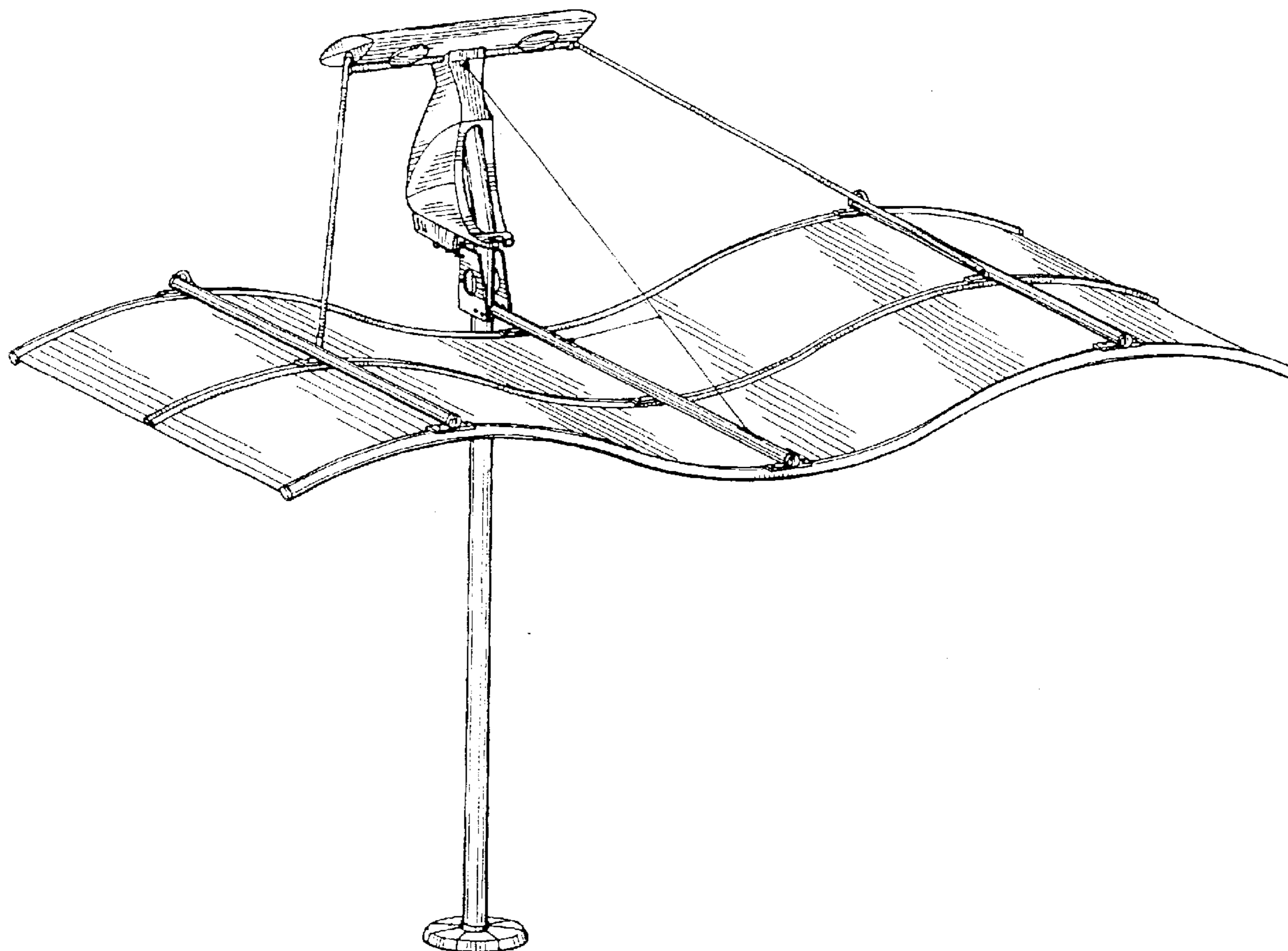
FIG. 1 is a perspective view of an up-and-over screen assembly showing my new design, FIG. 2 is a front elevation thereof, FIG. 3 is a plan view thereof, FIG. 4 is a right side view, the left side view being a mirror image, thereof, FIG. 5 is a rear elevation thereof FIG. 6 is an inverted plan view thereof; and, FIG. 7 is a perspective view of the asswmbly in the vertical configuration thereof.

(56) **References Cited**

U.S. PATENT DOCUMENTS

3,252,469 A * 5/1966 Peake 135/98
3,289,612 A * 12/1966 Mouw D3/5
4,086,931 A * 5/1978 Hall 135/98
5,441,067 A * 8/1995 James et al. 135/96
5,944,041 A * 8/1999 Kitchens 135/98
5,960,806 A * 10/1999 Steiner 135/20.1
D471,003 S * 3/2003 Naylor D3/5

1 Claim, 5 Drawing Sheets



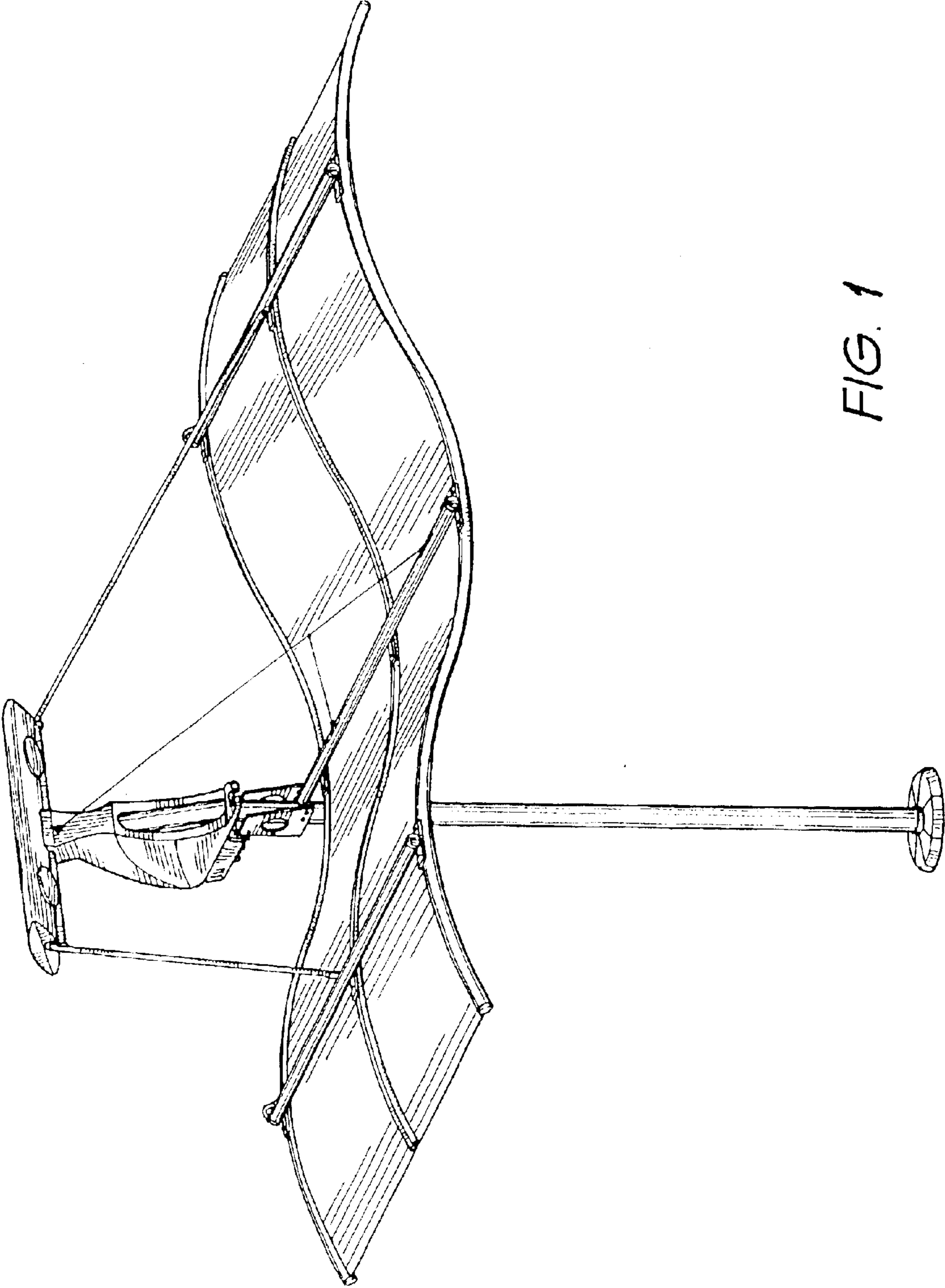


FIG. 1

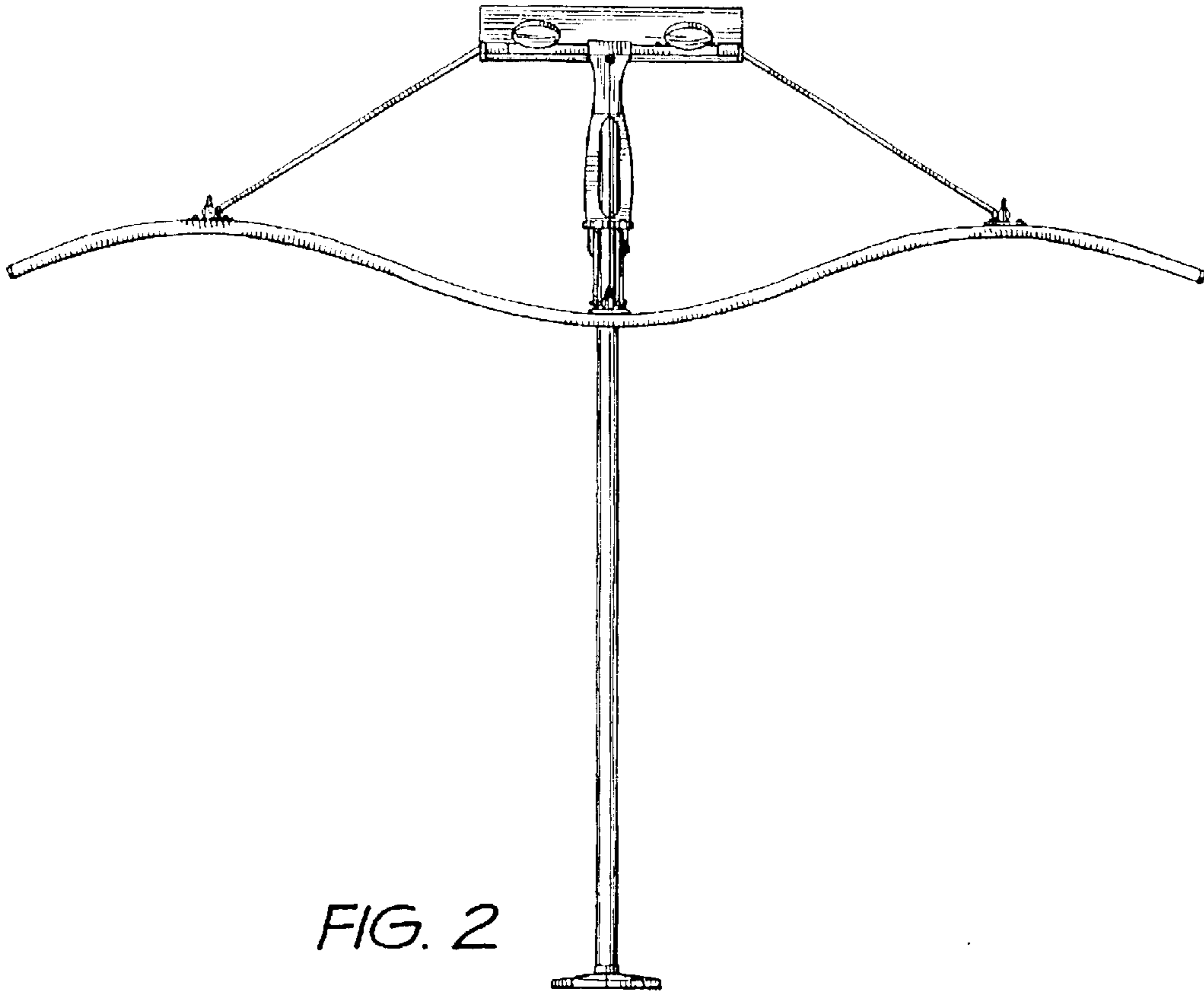


FIG. 2

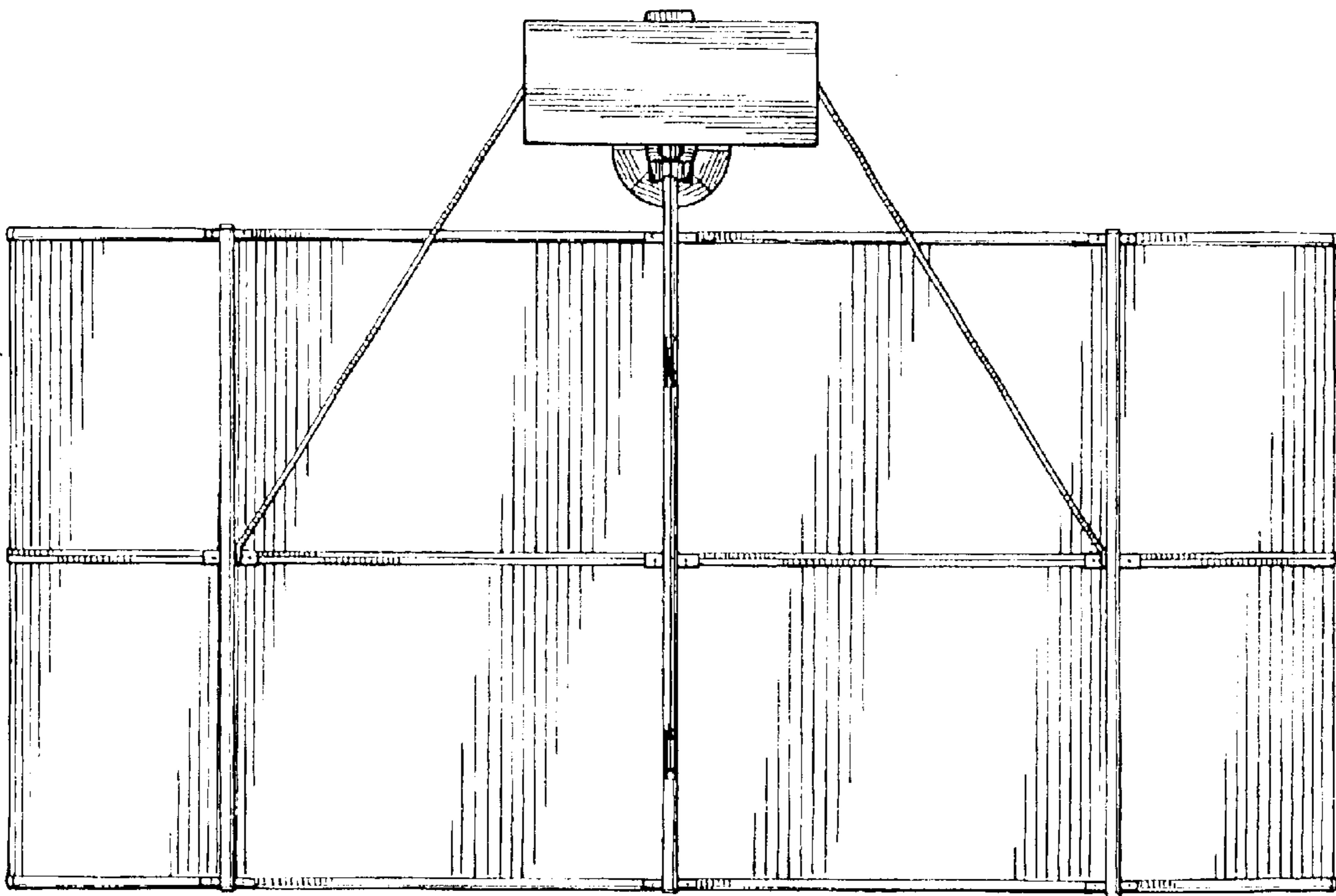


FIG. 3

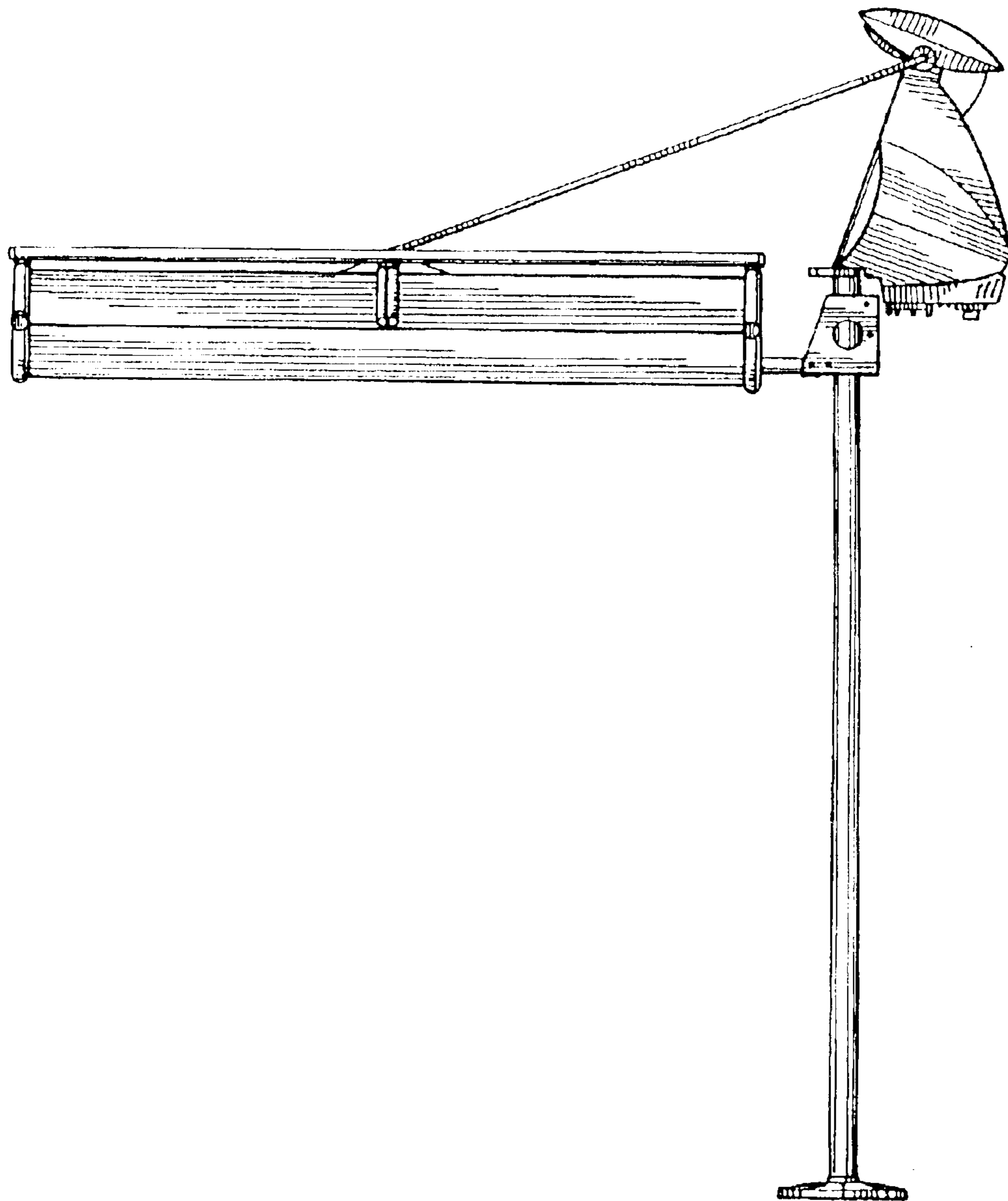
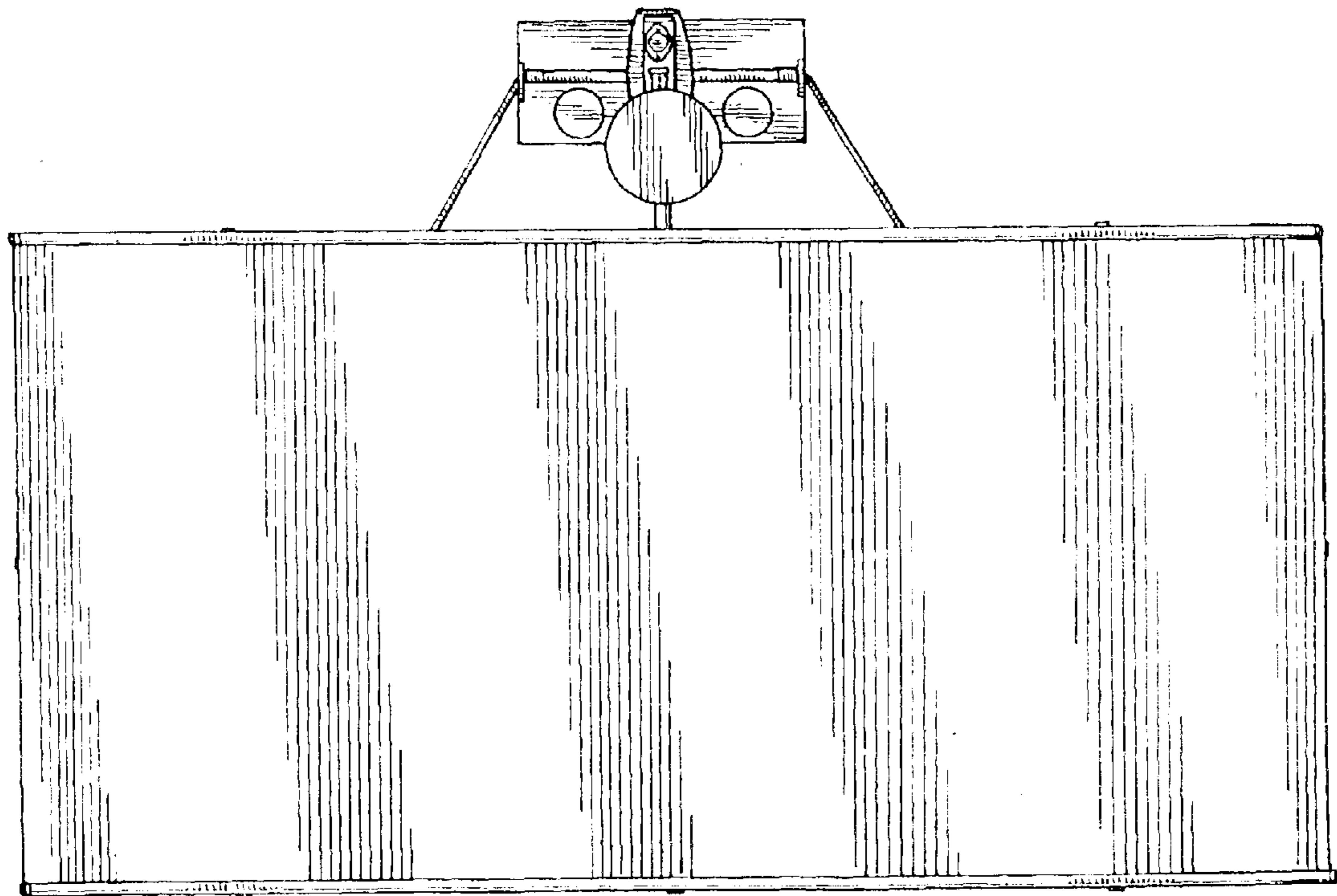
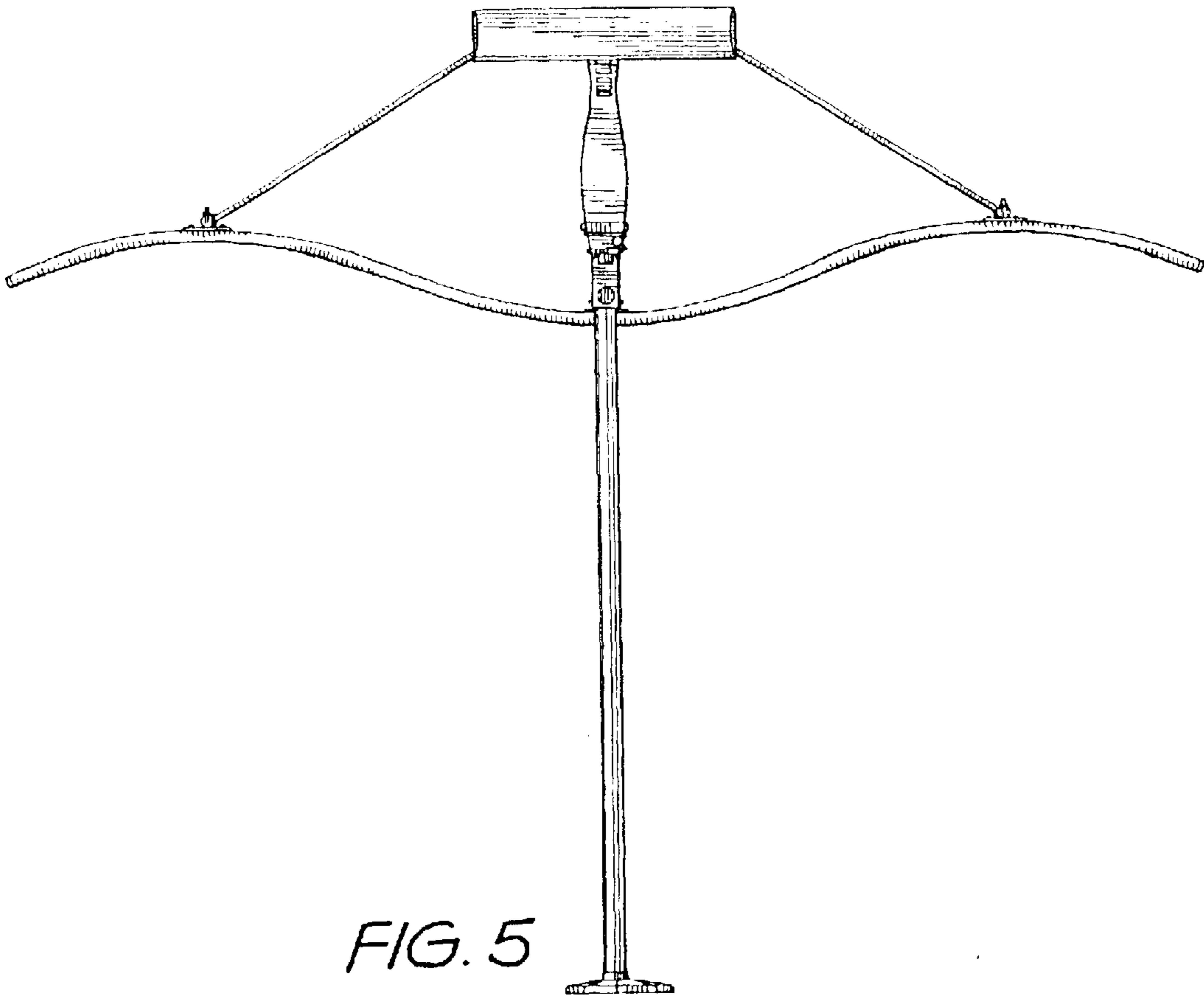


FIG. 4



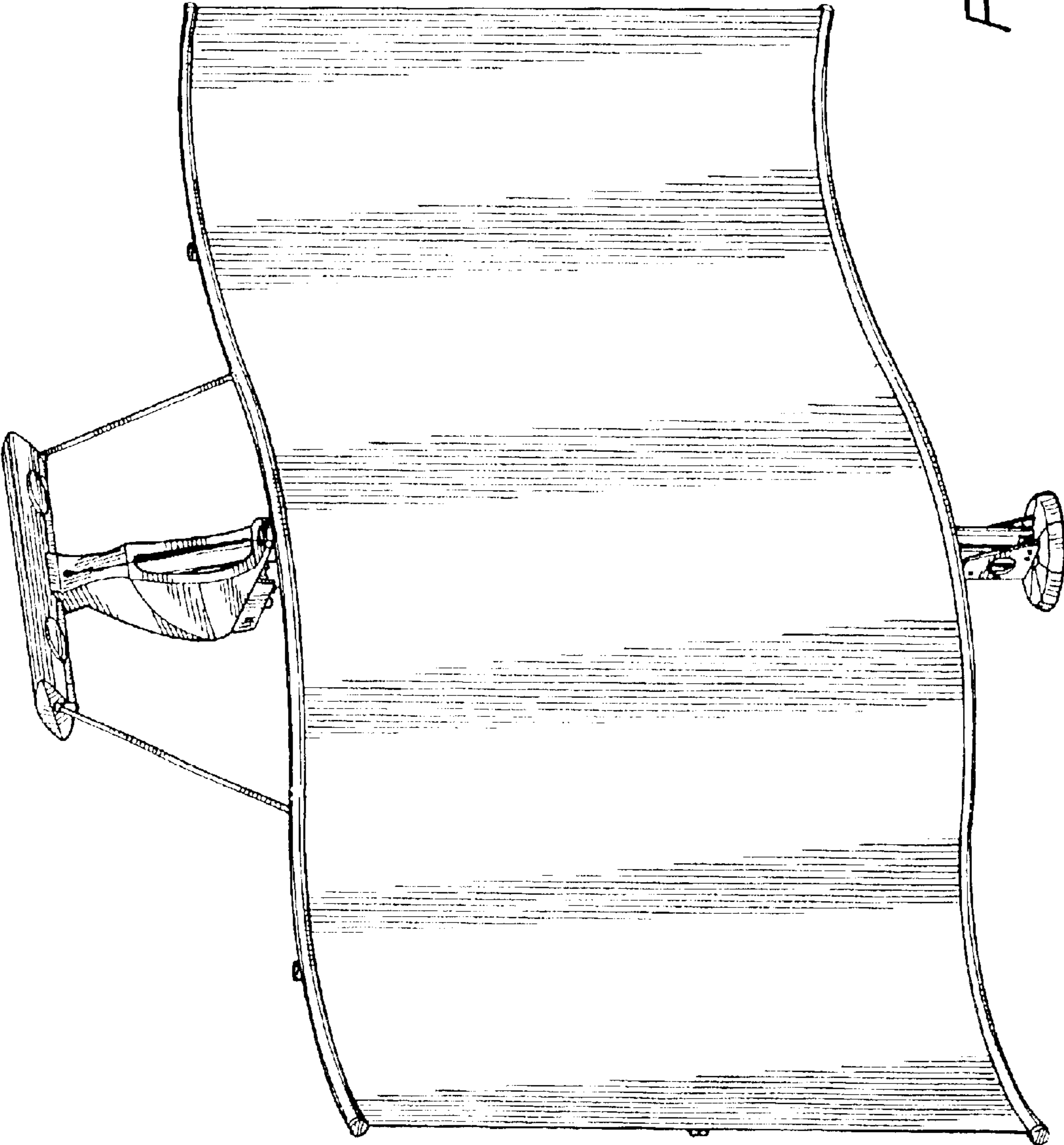


FIG. 7