

US00D502793S

(12) **United States Design Patent**
Porter

(10) **Patent No.:** **US D502,793 S**

(45) **Date of Patent:** **** Mar. 8, 2005**

(54) **CART**

D472,027 S * 3/2003 Walter D34/21
D493,932 S * 8/2004 Prather et al. D34/21

(75) **Inventor:** **Terrill Porter**, Chesterfield, VA (US)

* cited by examiner

(73) **Assignee:** **Rehrig International, Inc.**, Richmond, VA (US)

Primary Examiner—Holly Baynham
(74) *Attorney, Agent, or Firm*—McGuireWoods LLP

(**) **Term:** **14 Years**

(57) **CLAIM**

(21) **Appl. No.:** **29/191,311**

I claim the ornamental design for a cart, as shown.

(22) **Filed:** **Oct. 7, 2003**

DESCRIPTION

(51) **LOC (7) Cl.** **12-02**

FIG. 1 is a side plan view of an embodiment of a cart;
FIG. 2 is a front plan view of the embodiment of the cart;
FIG. 3 is a top plan view of the embodiment of the cart;
FIG. 4 is a bottom plan view of the embodiment of the cart;
FIG. 5 is a rear plan view of the embodiment of the cart; and,
FIG. 6 is a perspective view of the embodiment of the cart.
The broken line showing of caster wheels are for illustrative purposes only and forms no part of the claimed design.

(52) **U.S. Cl.** **D34/12**

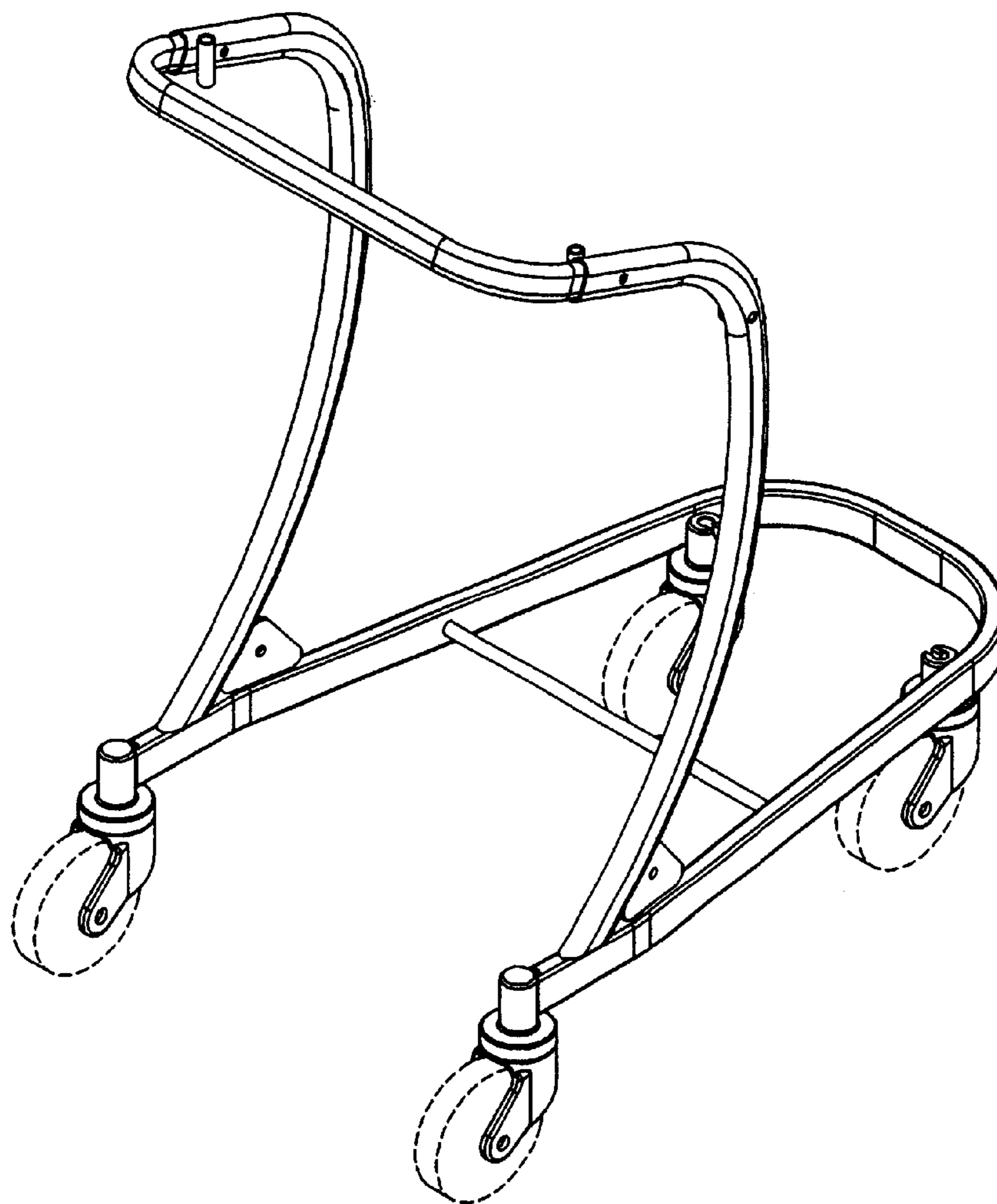
(58) **Field of Search** D34/12-14, 17-24;
280/33.991, 33.992, 33.993, 33.994, 47.18,
47.26, 47.34

(56) **References Cited**

U.S. PATENT DOCUMENTS

D455,243 S * 4/2002 Walter D34/21

1 Claim, 6 Drawing Sheets



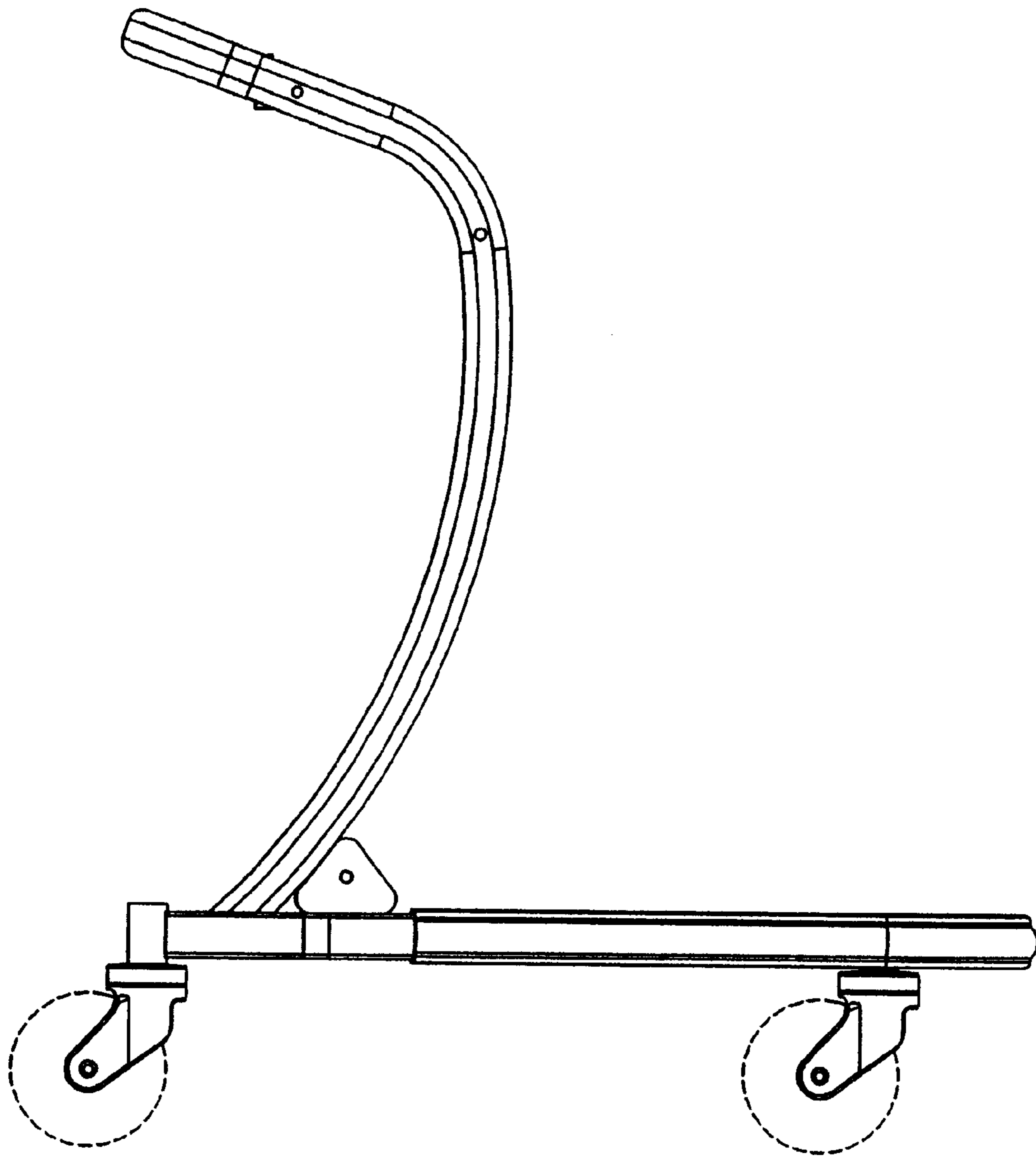


FIG. 1

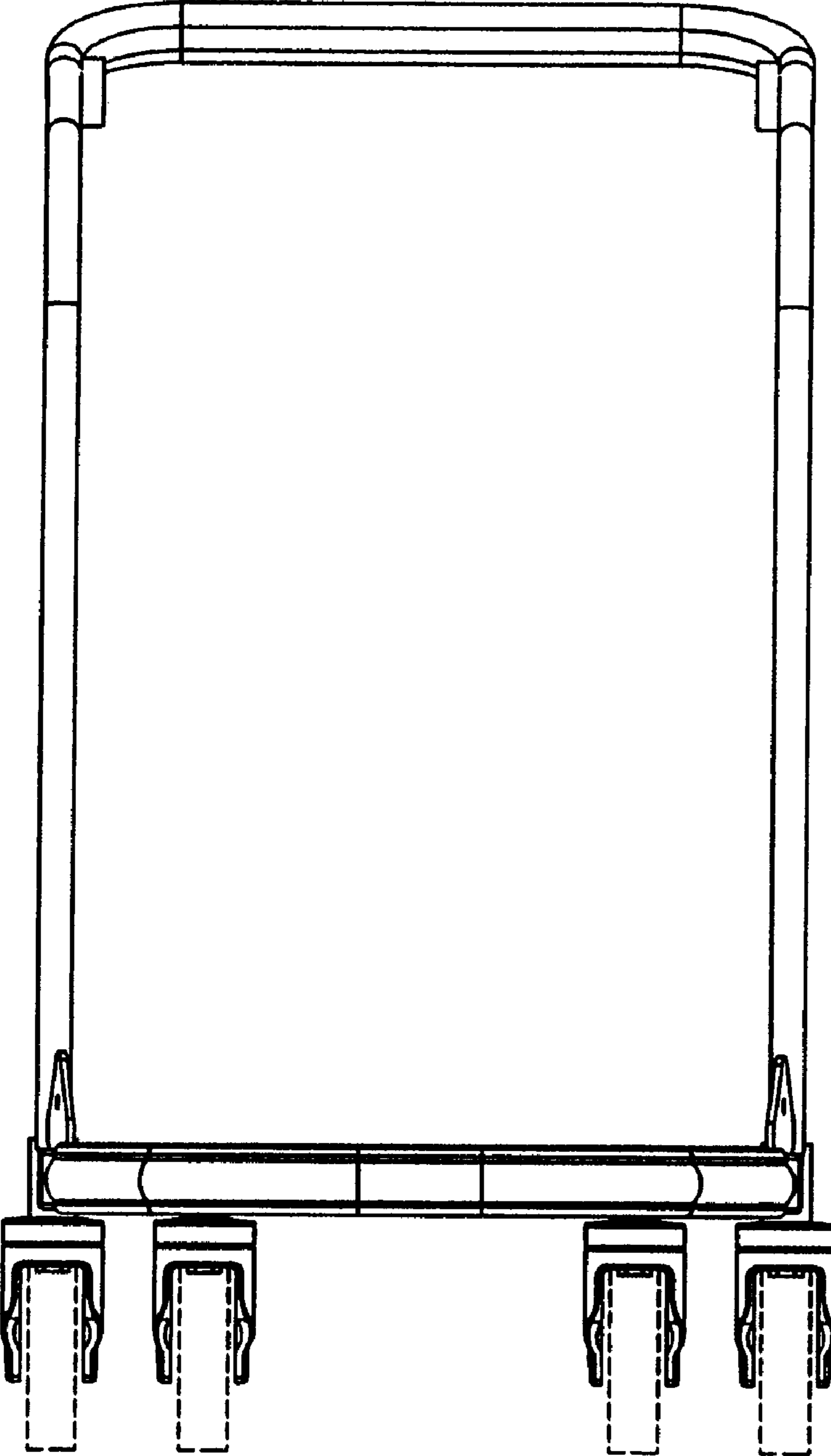


FIG. 2

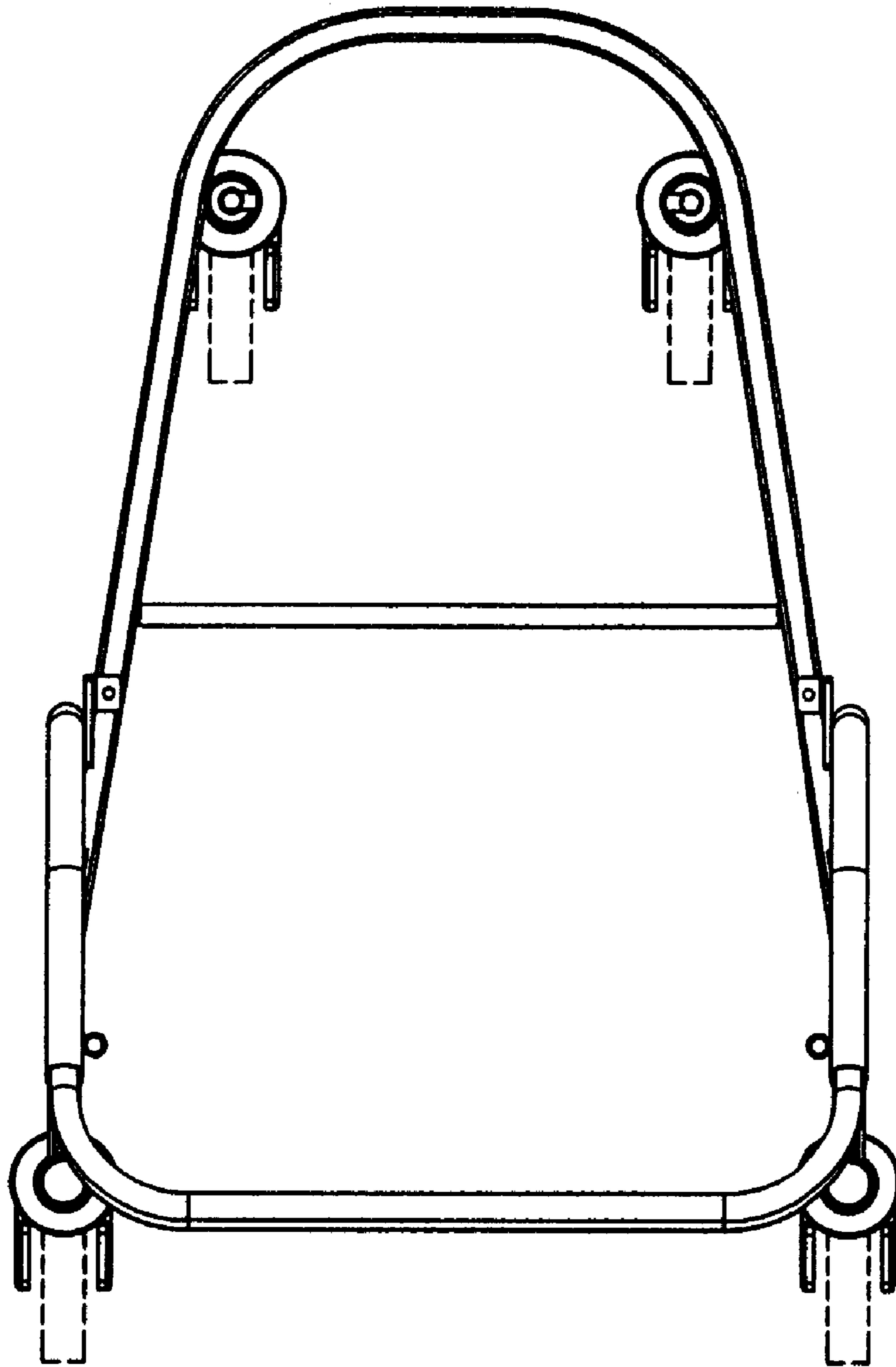


FIG. 3

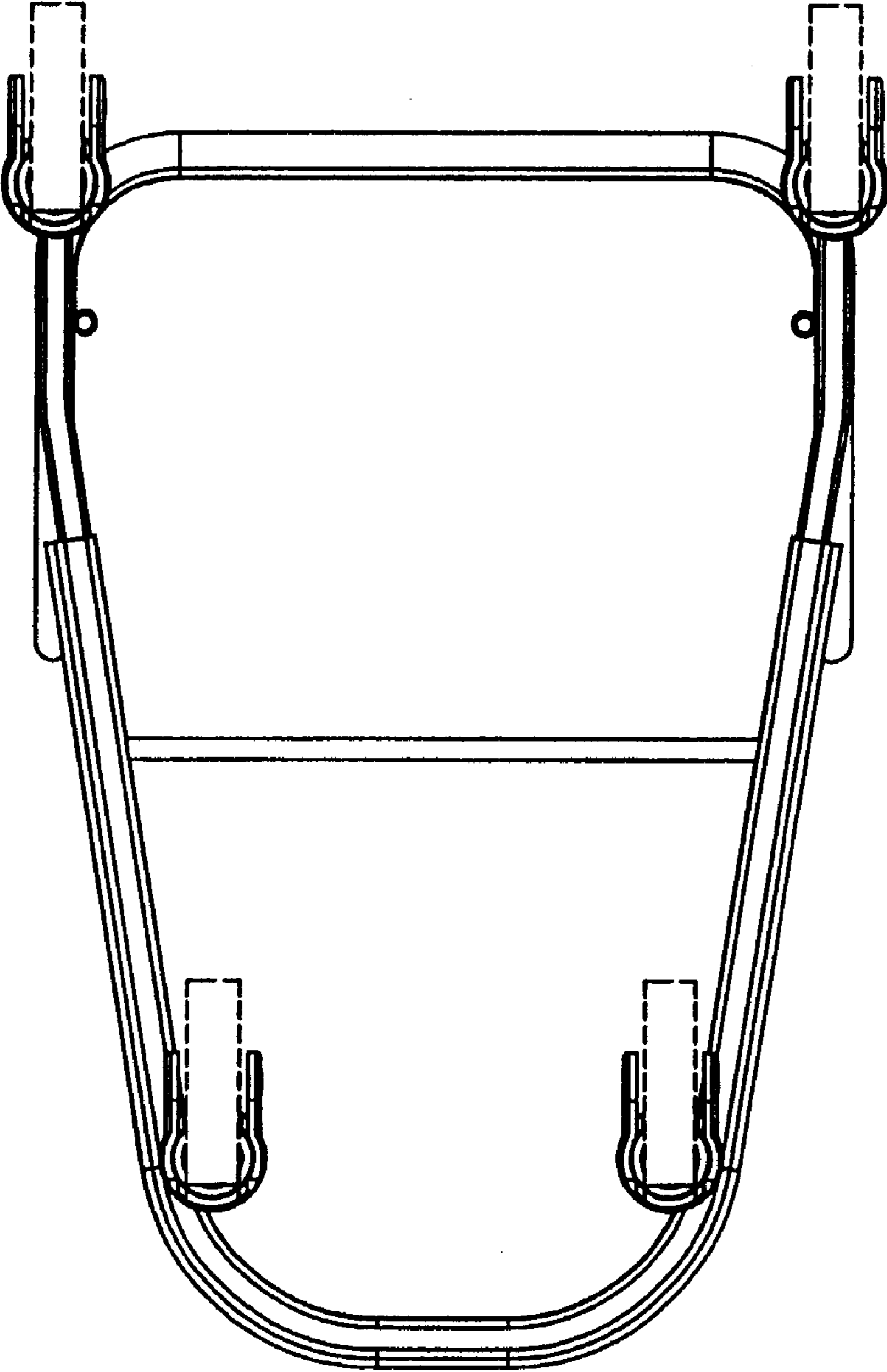


FIG. 4

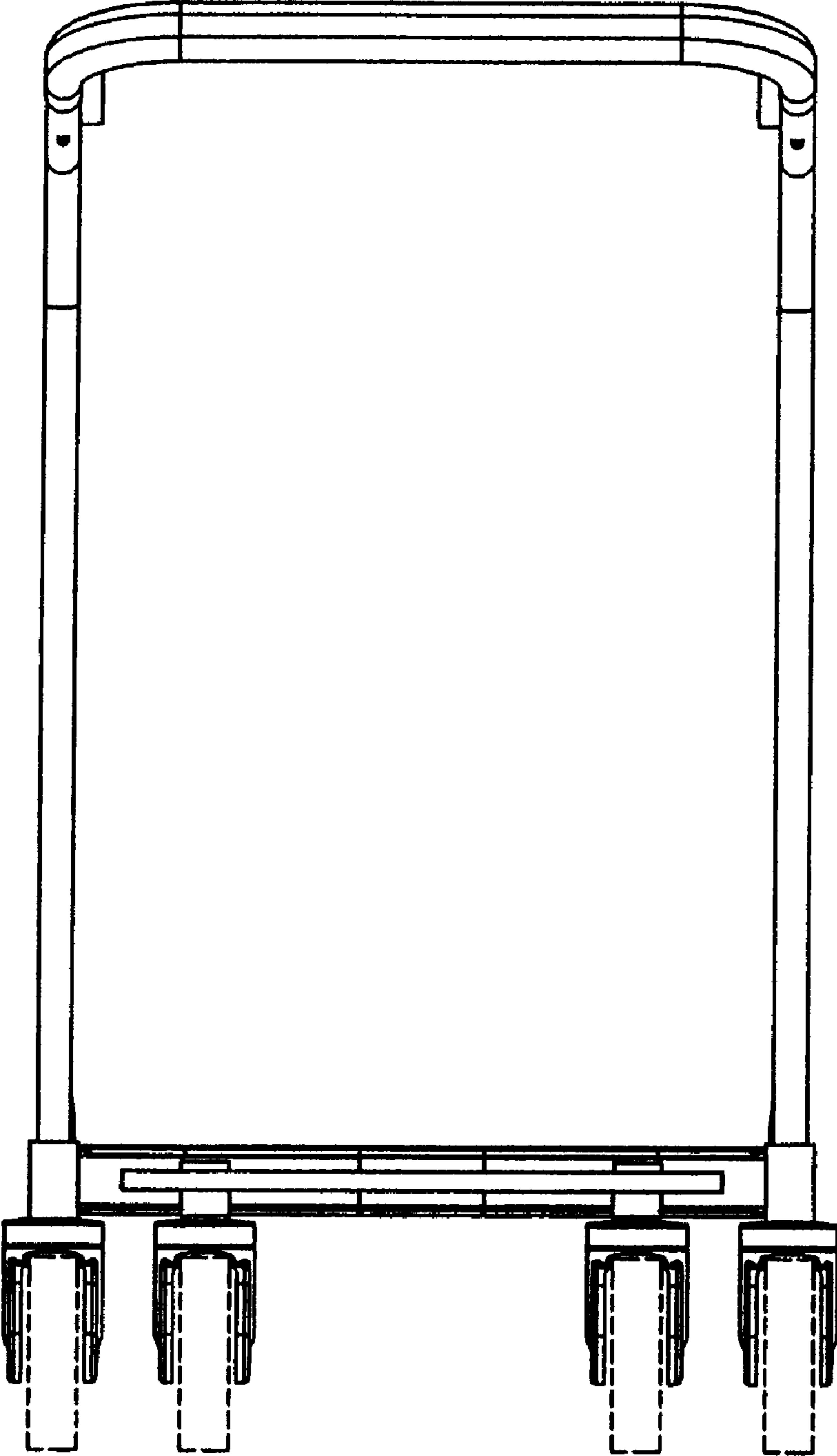


FIG. 5

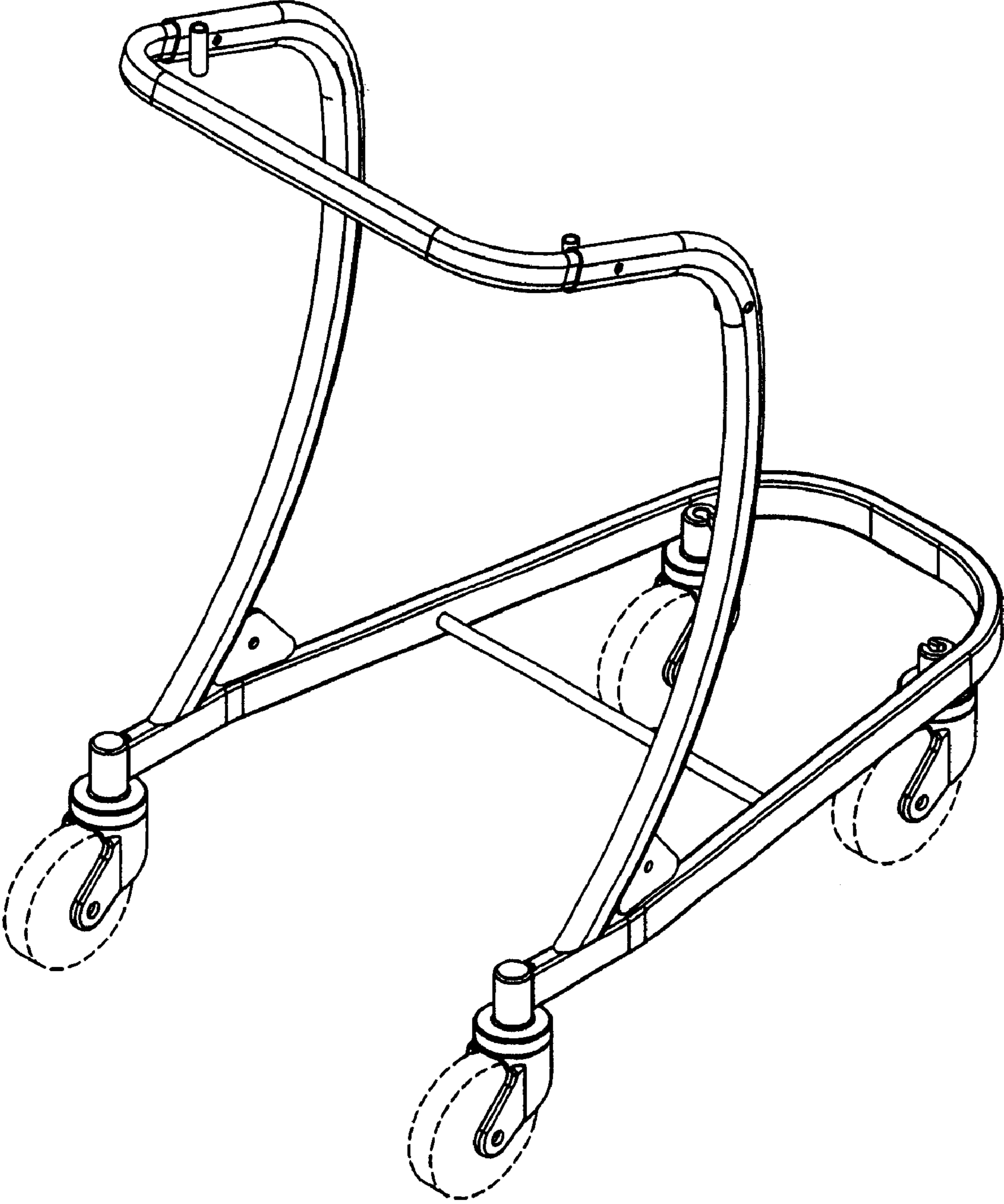


FIG. 6