

US00D502787S

(12) **United States Design Patent**  
**Liu**

(10) **Patent No.:** **US D502,787 S**  
(45) **Date of Patent:** **\*\* Mar. 8, 2005**

(54) **MOUTH GUARD**

(75) Inventor: **Ker-Chuan Liu, Tainan (TW)**

(73) Assignee: **Guan Dai Technology Co., Ltd.,  
Tainan Hsien (TW)**

(\*\*) Term: **14 Years**

(21) Appl. No.: **29/194,428**

(22) Filed: **Nov. 25, 2003**

(51) **LOC (7) Cl.** ..... **29-02**

(52) **U.S. Cl.** ..... **D29/108**

(58) **Field of Search** ..... D24/152, 153,  
D24/154, 155, 156, 180, 182, 140, 181,  
141; 433/8, 9, 10, 13, 16, 6, 37, 215, 41-48;  
128/861, 862, 859; D28/68; D29/108

(56) **References Cited**

**U.S. PATENT DOCUMENTS**

D215,685 S	*	10/1969	Helmer	.....	D29/108
D307,473 S	*	4/1990	Hannula	.....	D24/153
D336,683 S	*	6/1993	Inoue et al.	.....	D24/156
D373,421 S	*	9/1996	Brown	.....	D24/180

5,732,715 A	*	3/1998	Jacobs et al.	.....	128/861
D397,442 S	*	8/1998	Kittelsen	.....	D24/180
6,152,138 A	*	11/2000	Brown et al.	.....	128/859
D473,976 S	*	4/2003	Wilkens	.....	D29/108
6,584,978 B1	*	7/2003	Brett et al.	.....	128/859
D493,578 S	*	7/2004	Manzo et al.	.....	D29/108

\* cited by examiner

*Primary Examiner*—Charles A. Rademaker

(74) *Attorney, Agent, or Firm*—Rosenberg, Klein & Lee

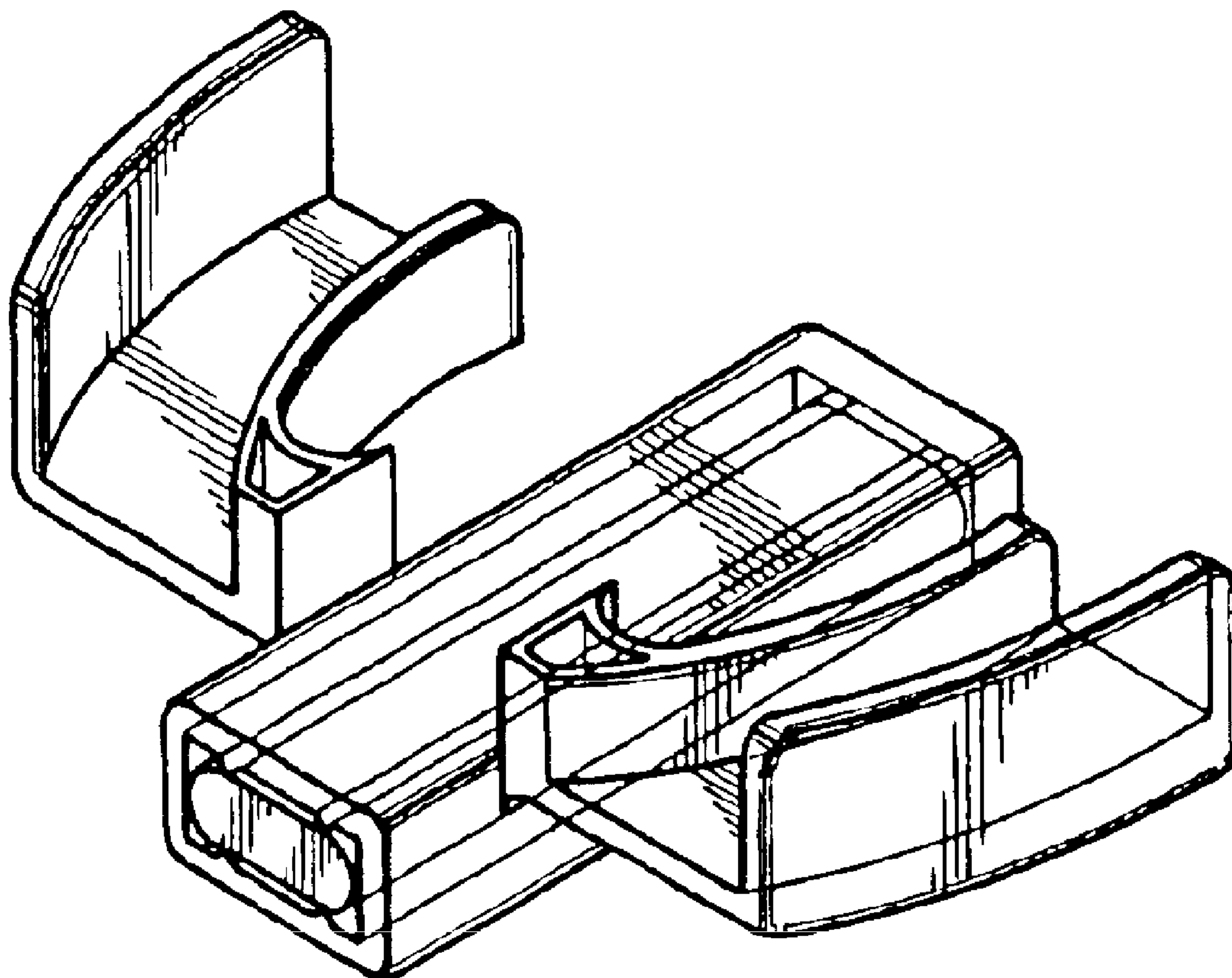
(57) **CLAIM**

The ornamental design for a mouth guard, as shown and described.

**DESCRIPTION**

FIG. 1 is a perspective view of a mouth guard showing my new design;  
FIG. 2 is a front elevational view thereof;  
FIG. 3 is a rear elevational view thereof;  
FIG. 4 is a left side elevational view thereof;  
FIG. 5 is a right side elevational view thereof;  
FIG. 6 is a top plan view thereof; and,  
FIG. 7 is a bottom plan view thereof.

**1 Claim, 3 Drawing Sheets**



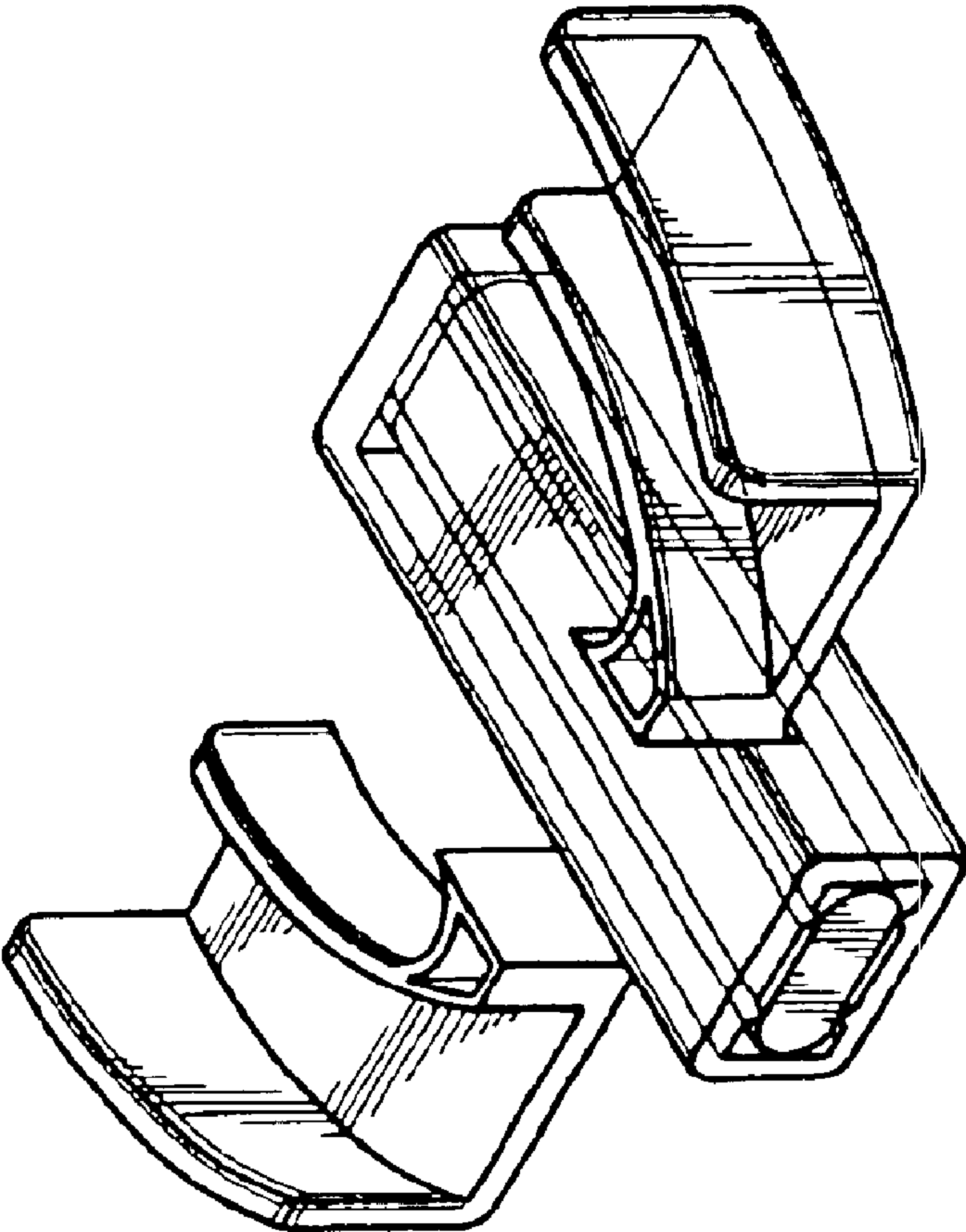


FIG. 1

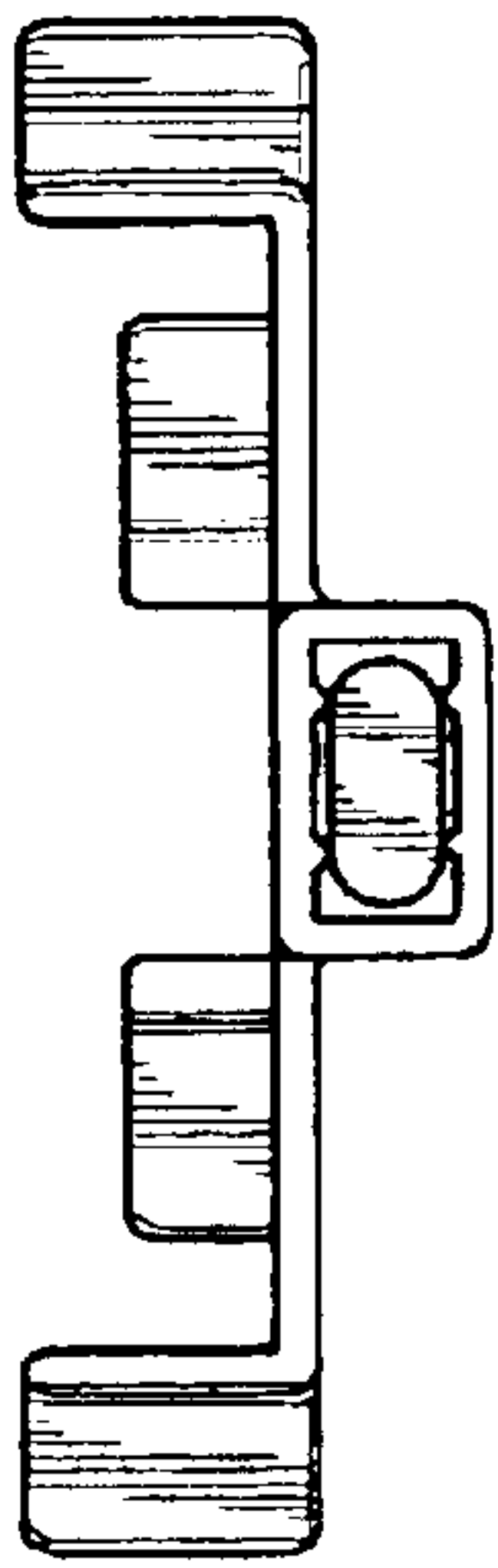


FIG. 2

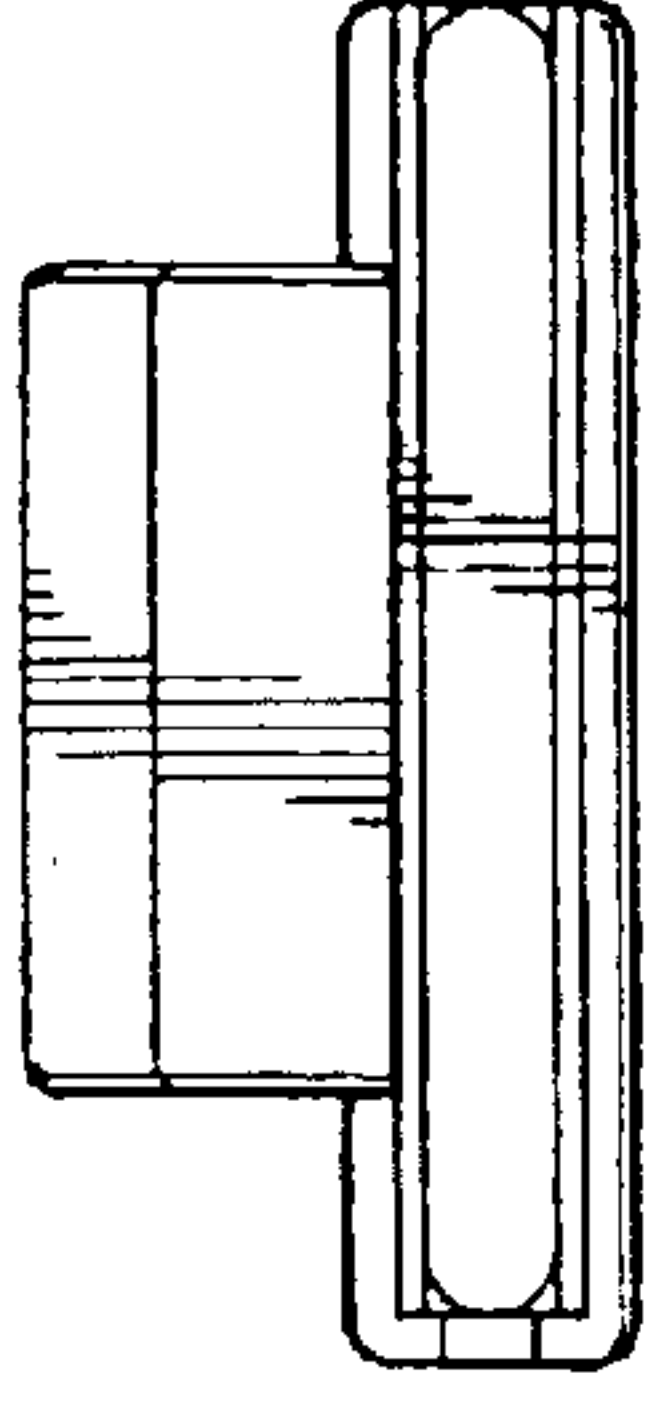


FIG. 4

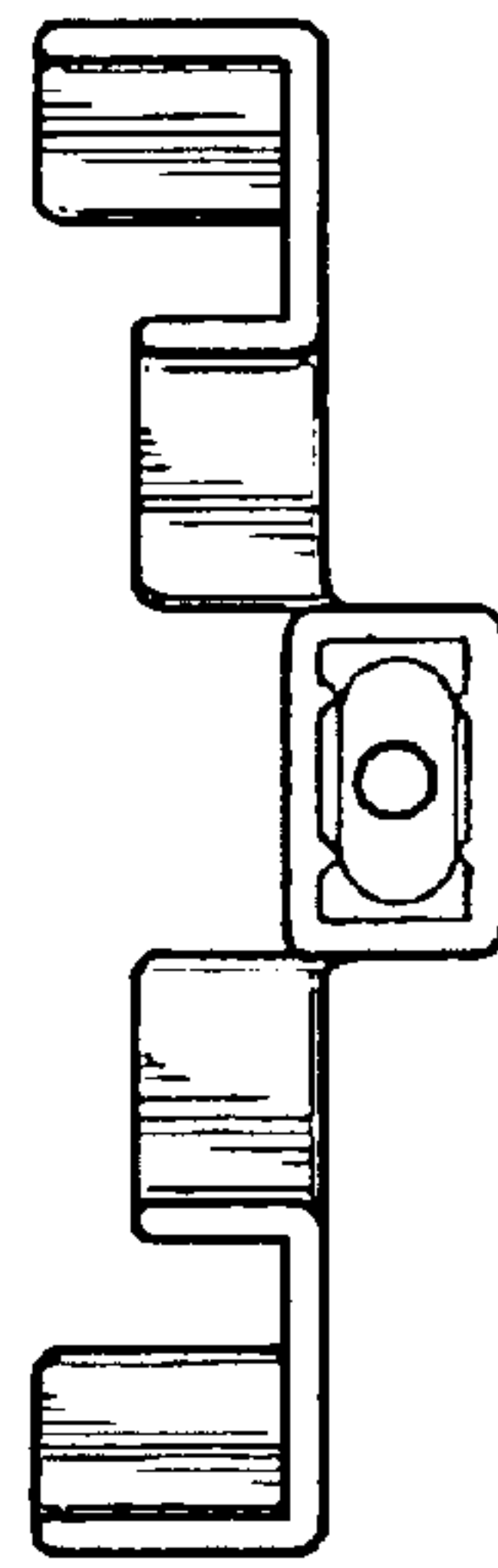


FIG. 3

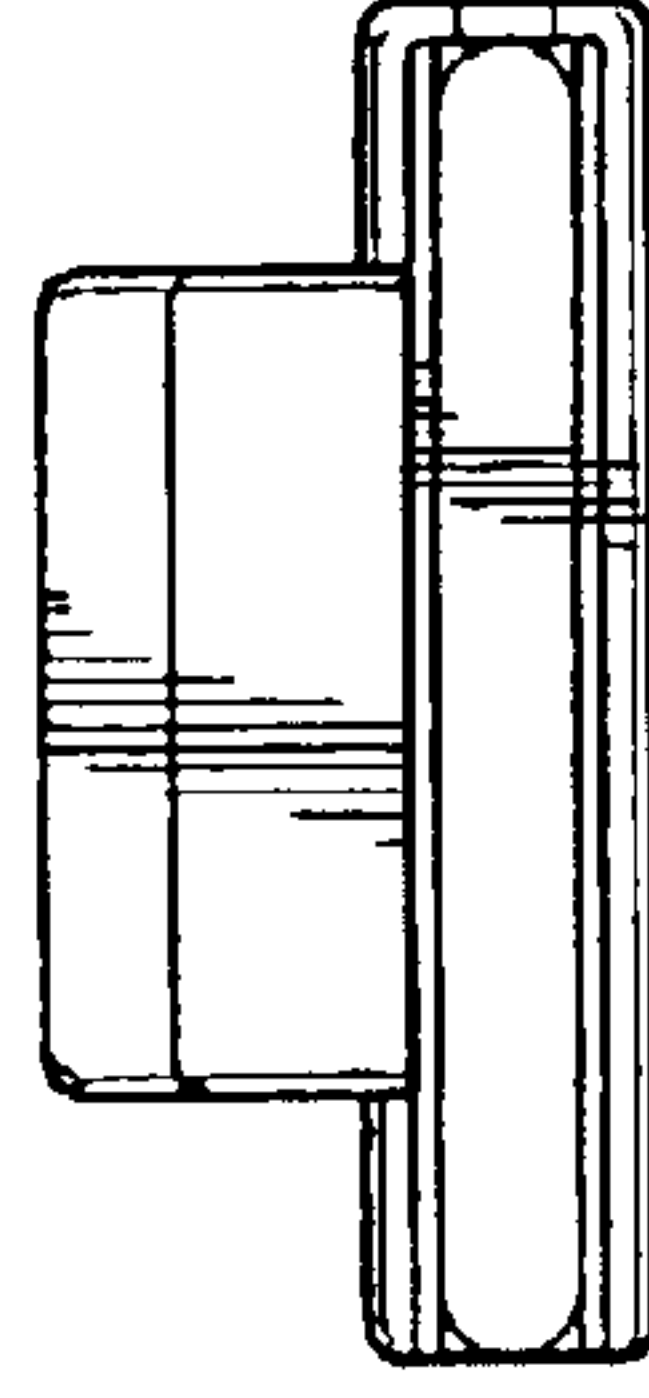


FIG. 5

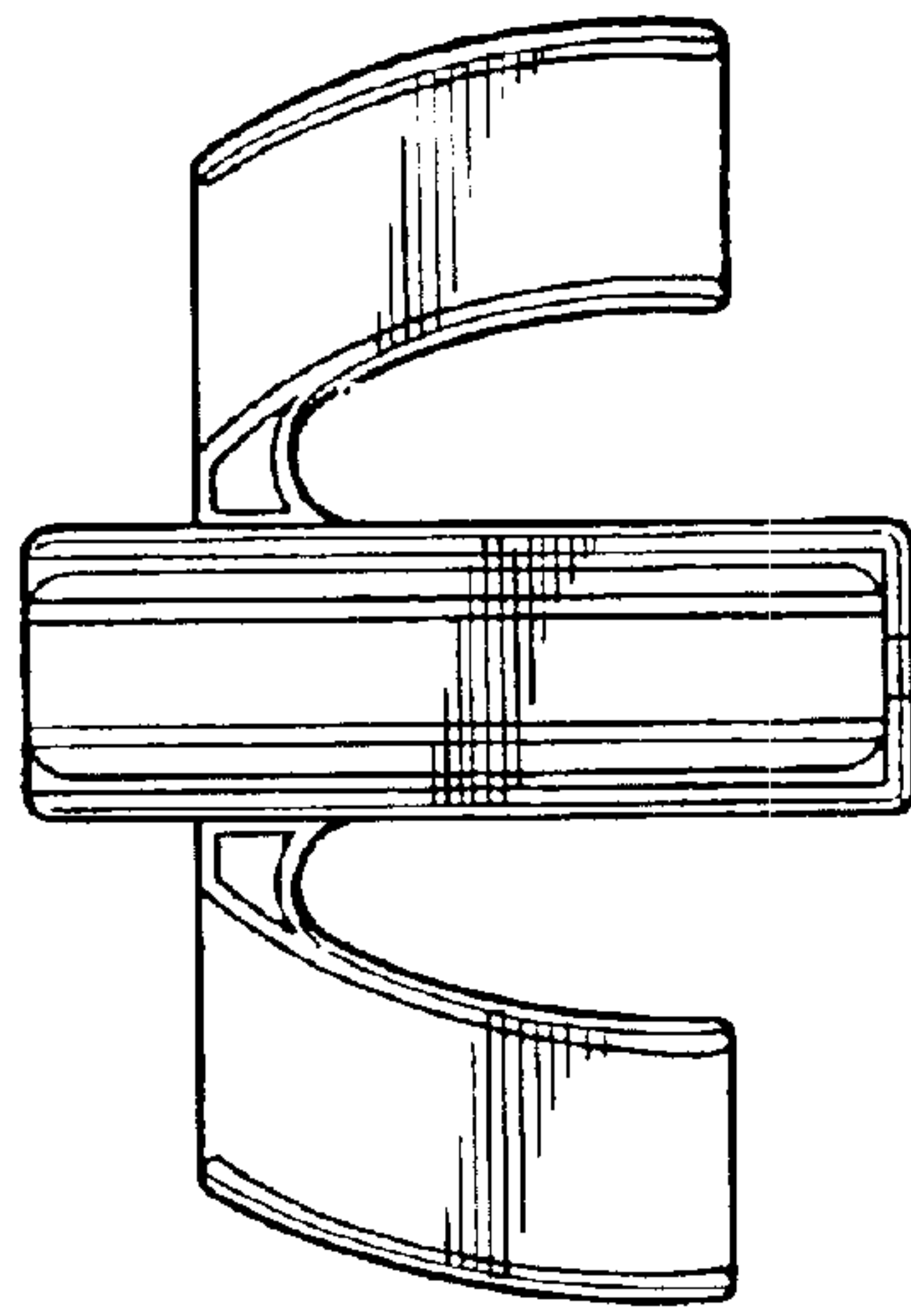


FIG. 7

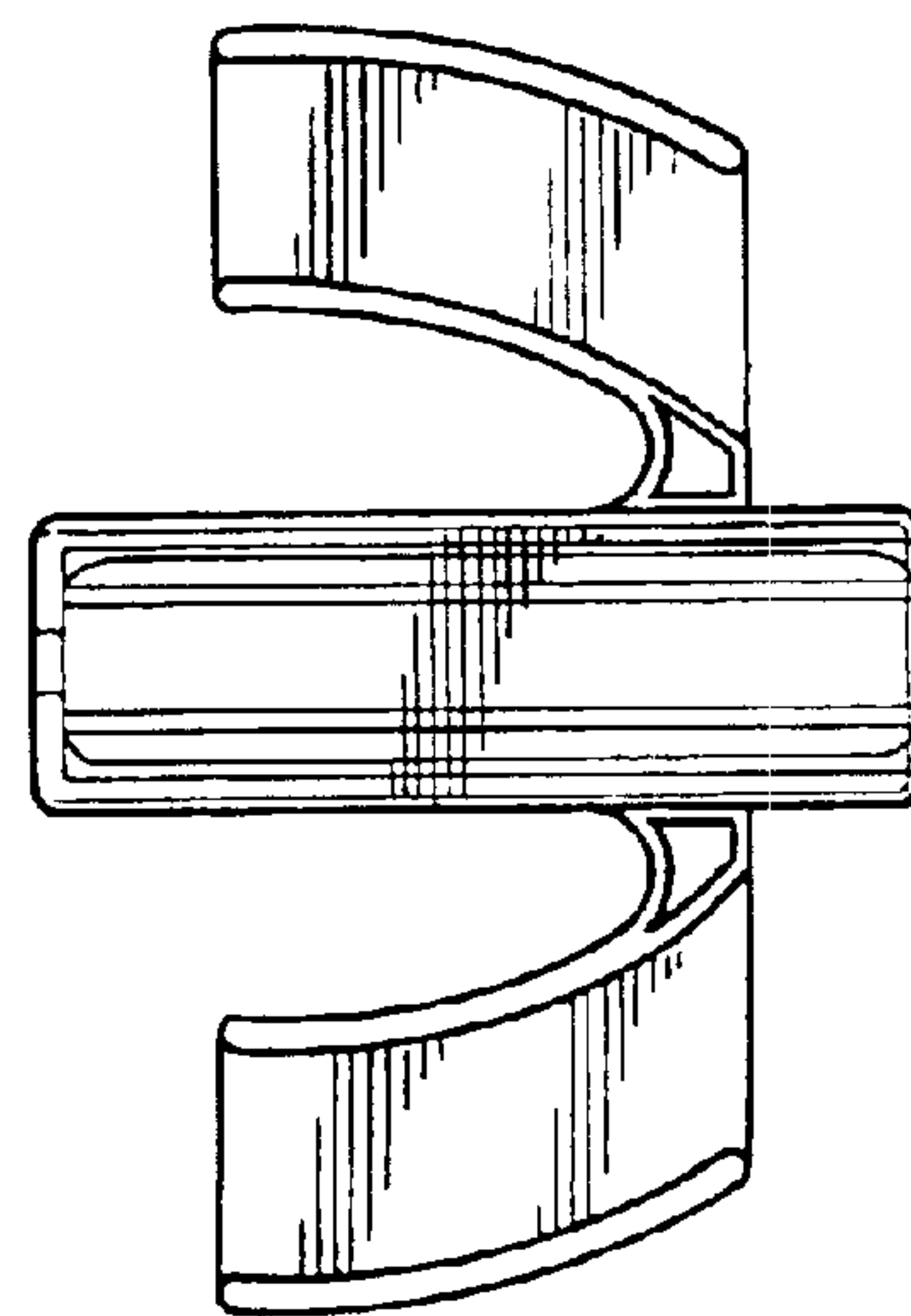


FIG. 6