

US00D502781S

(12) **United States Design Patent**
Chen

(10) **Patent No.:** **US D502,781 S**

(45) **Date of Patent:** **** Mar. 8, 2005**

(54) **CABANA SOLAR LIGHT**

(75) **Inventor:** **Chi Gon Chen**, Guang Zhou (CN)

(73) **Assignee:** **International Development Corporation**, Spouthlake, TX (US)

(**) **Term:** **14 Years**

(21) **Appl. No.:** **29/202,929**

(22) **Filed:** **Apr. 7, 2004**

(51) **LOC (7) Cl.** **26-05**

(52) **U.S. Cl.** **D26/68; D26/67**

(58) **Field of Search** **D26/67-72, 87, D26/92, 118; 362/152, 153, 153.1, 159, 183, 266, 363, 431, 432**

(56) **References Cited**

U.S. PATENT DOCUMENTS

D326,728 S	*	6/1992	Layne	D26/67
D346,873 S	*	5/1994	Frost	D26/67
D391,384 S	*	2/1998	Lerch	D26/67
D421,316 S	*	2/2000	Fiorato	D26/74
D445,209 S		7/2001	Chen		
D445,210 S		7/2001	Chen		
D445,524 S		7/2001	Chen		
D445,525 S		7/2001	Pan		
D445,939 S		7/2001	Pan		
D451,620 S		12/2001	Chen		
D452,029 S		12/2001	Chen		
D457,979 S		5/2002	Chen		
D464,158 S	*	10/2002	Hon Siu Cheong	D26/67
D466,243 S		11/2002	Chen		
D468,470 S		1/2003	Chen		
D468,471 S		1/2003	Chen		
D469,907 S		2/2003	Chen		
D469,908 S		2/2003	Chen		
D469,909 S		2/2003	Chen		
D483,138 S		12/2003	Chen		
D484,630 S		12/2003	Chen		
D484,631 S		12/2003	Chen		

D485,000 S	1/2004	Chen	
D485,001 S	1/2004	Chen	
D485,930 S	1/2004	Chen	
D488,576 S	4/2004	Chen	
6,719,442 B1	4/2004	Chen	
2003/0081406 A1 *	5/2003	Lin 362/96

FOREIGN PATENT DOCUMENTS

CA	99516	6/2003
CA	99517	6/2003
CA	99518	6/2003
CA	99519	6/2003
CA	100603	2/2004

OTHER PUBLICATIONS

Stainless Steel Solar Light. Item # 18583 from Frontgate. Found online at frontgate.com on Aug. 24, 2004.*

* cited by examiner

Primary Examiner—Clare E Heflin

(74) *Attorney, Agent, or Firm*—Gardere Wynne Sewell LLP; Kenneth T. Emanuelson

(57) **CLAIM**

The ornamental design for a cabana solar light, as shown and described.

DESCRIPTION

FIG. 1 is a perspective view of a cabana solar light in accordance with my invention;

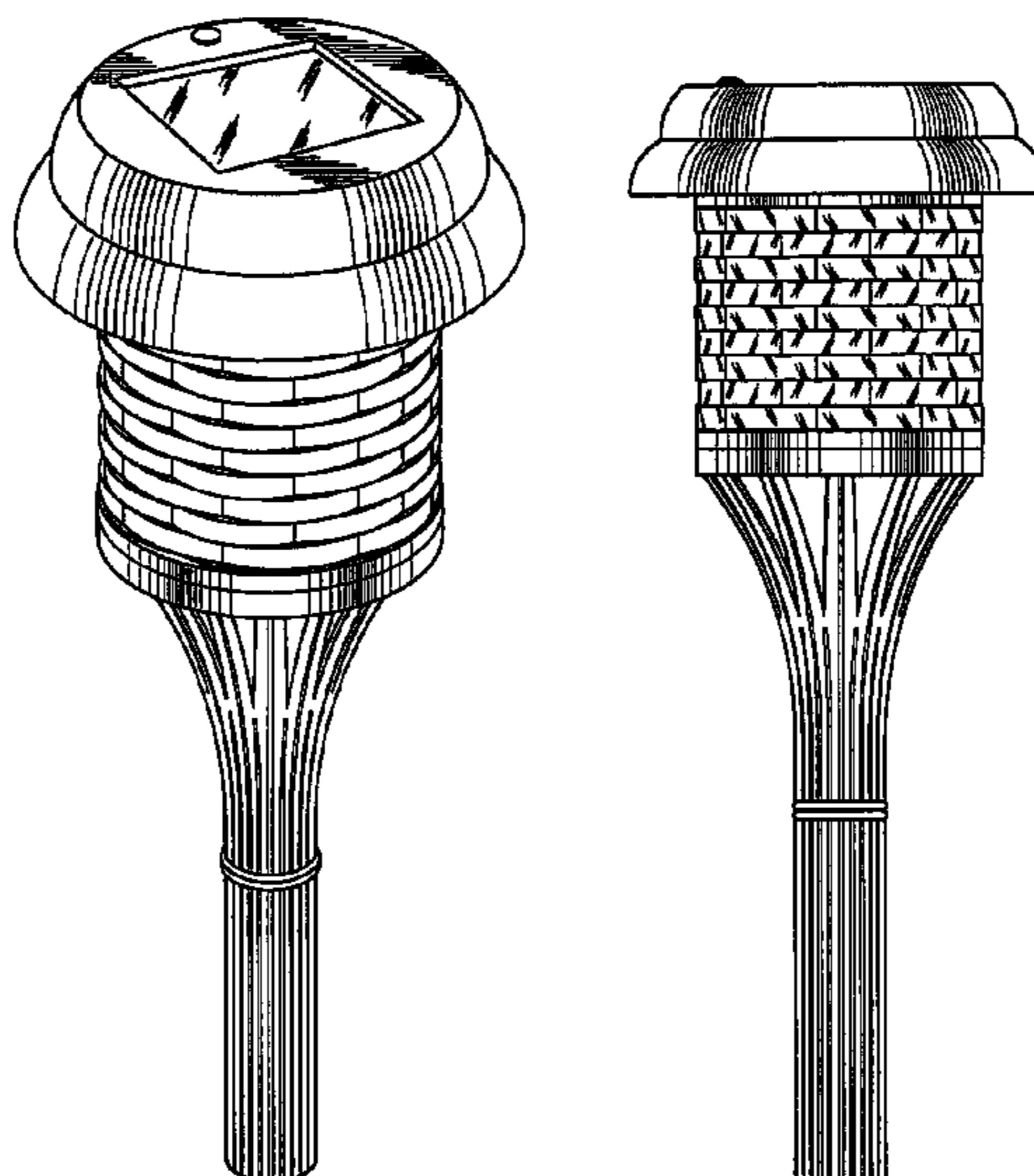
FIG. 2 is a SIDE view of the cabana solar light shown in FIG. 1;

FIG. 3 is a TOP view of the cabana solar light shown in FIG. 1; and,

FIG. 4 is a bottom view of the cabana solar light shown in FIG. 1.

The broken lines shown on the drawing are for illustrative purposes only and form no part of the claimed design.

1 Claim, 1 Drawing Sheet



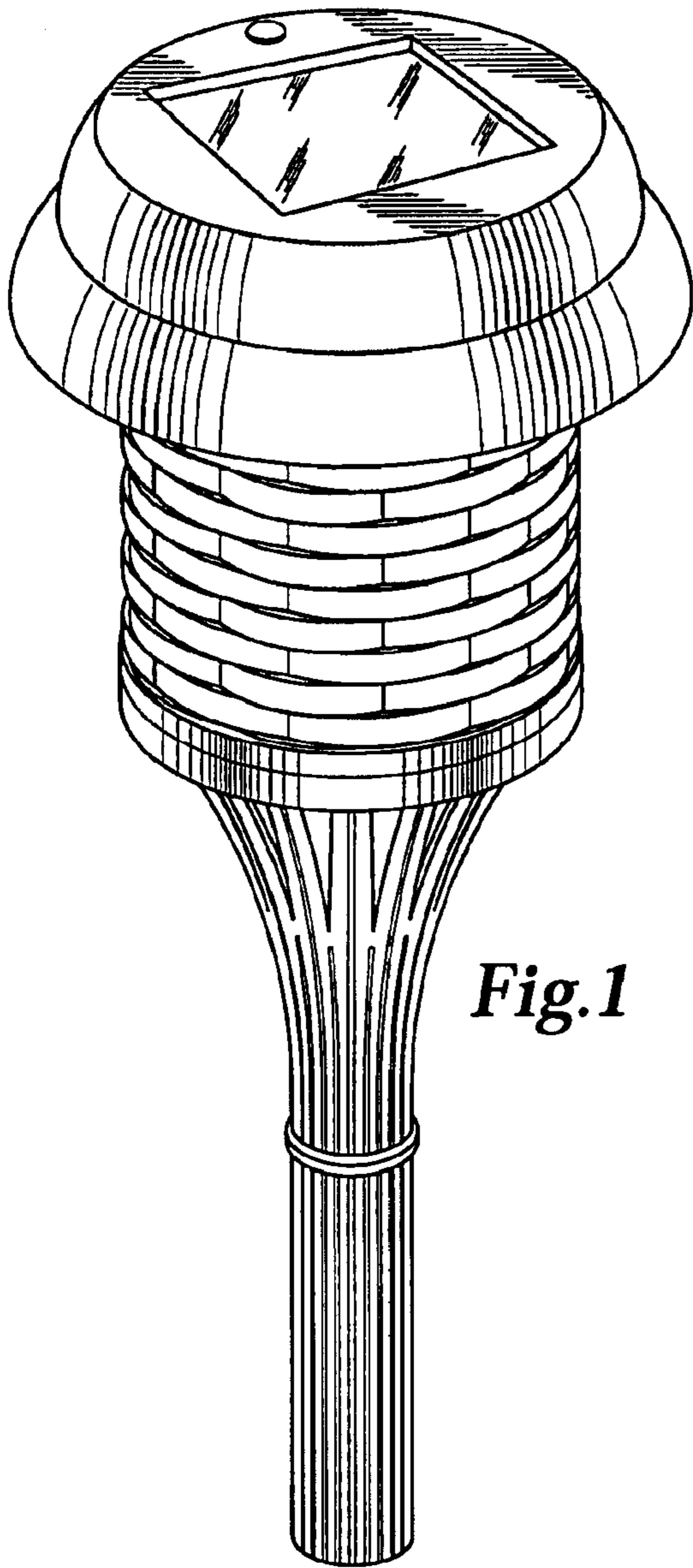


Fig.1

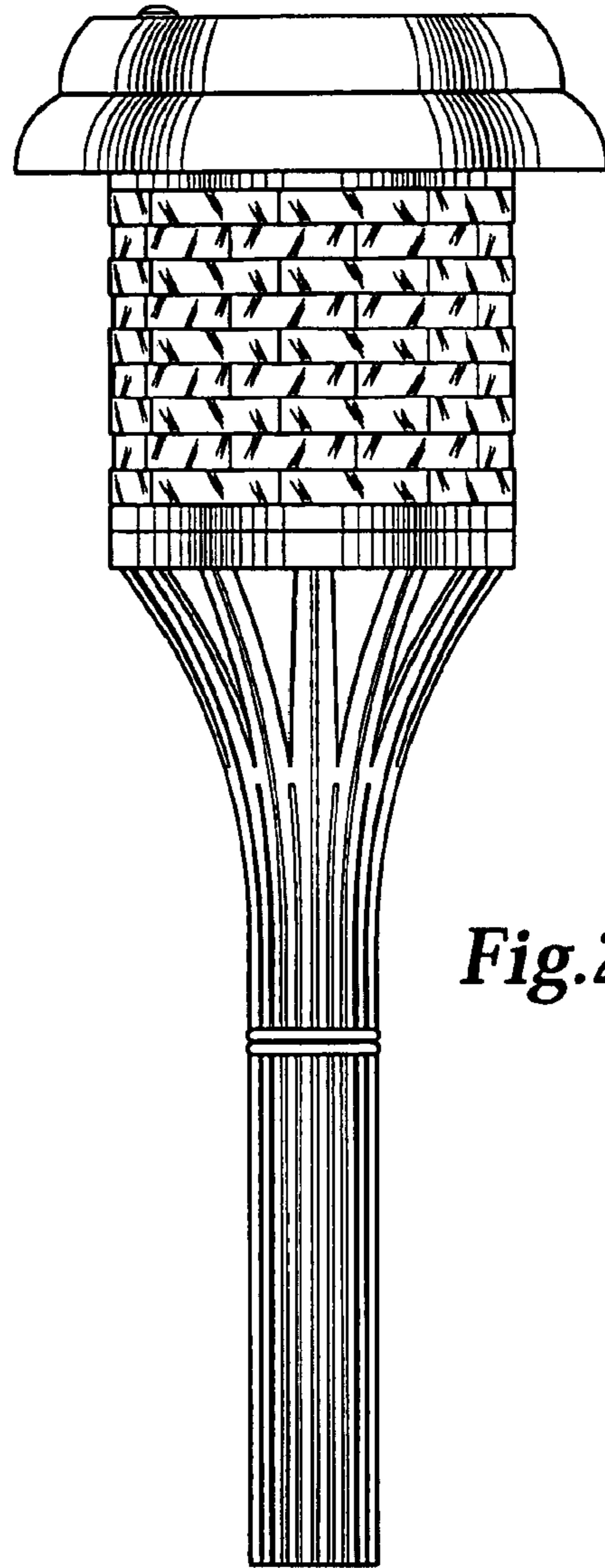


Fig.2

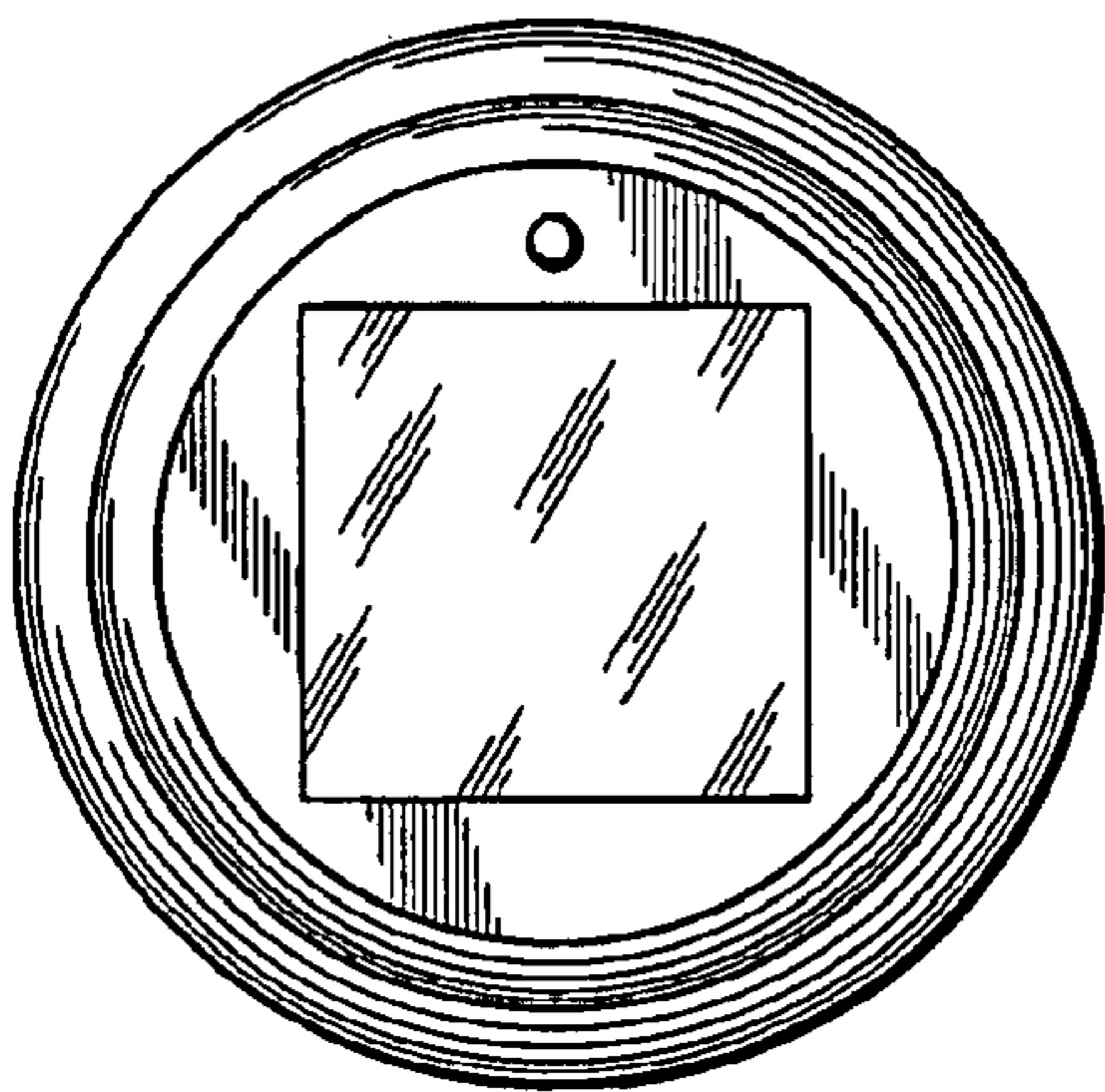


Fig.3

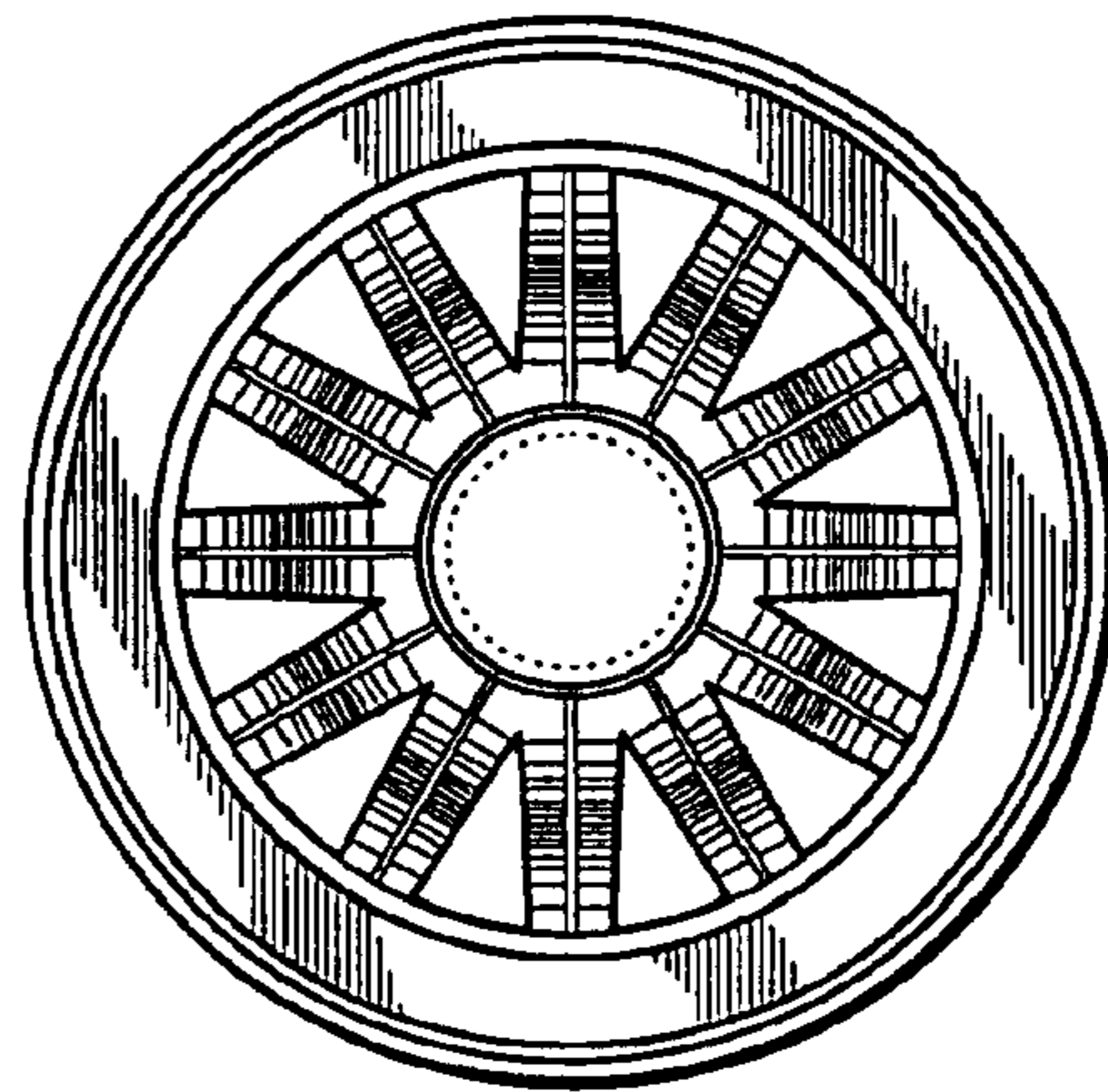


Fig.4