

US00D502780S

(12) **United States Design Patent**
Tamura

(10) **Patent No.:** **US D502,780 S**
(45) **Date of Patent:** **** Mar. 8, 2005**

(54) **REAR COMBINATION LAMP FOR AN
AUTOMOBILE**

(75) Inventor: **Hirotooshi Tamura, Saitama (JP)**

(73) Assignee: **Honda Motor Co., Ltd., Tokyo (JP)**

(**) Term: **14 Years**

(21) Appl. No.: **29/197,581**

(22) Filed: **Jan. 20, 2004**

(30) **Foreign Application Priority Data**

Jul. 22, 2003 (JP) 2003-021199

(51) **LOC (7) Cl.** **26-06**

(52) **U.S. Cl.** **D26/28**

(58) **Field of Search** D26/28-36; 362/459-468,
362/473-476, 485-487

(56) **References Cited**

U.S. PATENT DOCUMENTS

D472,991 S * 4/2003 Horowitz D26/28
D477,886 S * 7/2003 Lin D26/28
D480,487 S * 10/2003 Horowitz D26/28
D491,294 S * 6/2004 Lung D26/28

OTHER PUBLICATIONS

International Reg. No. DM/022 151 (1.1, 1.2, 1.3).
International Reg. No. DM/022 151 (3.1, 3.2, 3.3, 3.4).
International Reg. No. DM/022 508 (1).

International Reg. No. DM/022 508 (3.1, 3.2).

Japanese Design Reg. No. 1039393 similar No. 1.

* cited by examiner

Primary Examiner—Marcus A. Jackson

(74) *Attorney, Agent, or Firm*—Westerman, Hattori,
Daniels & Adrian, LLP

(57) **CLAIM**

The ornamental design for, rear combination lamp for an
automobile, as shown and described.

DESCRIPTION

FIG. 1 is a front elevational view of a rear combination lamp
for an automobile showing our new design;

FIG. 2 is a rear elevational view thereof;

FIG. 3 is a top plan view thereof;

FIG. 4 is a bottom plan view thereof;

FIG. 5 is a right side elevation view thereof;

FIG. 6 is a left side elevation view thereof;

FIG. 7 is a perspective view thereof; and,

FIG. 8 is another perspective view thereof.

1 Claim, 4 Drawing Sheets

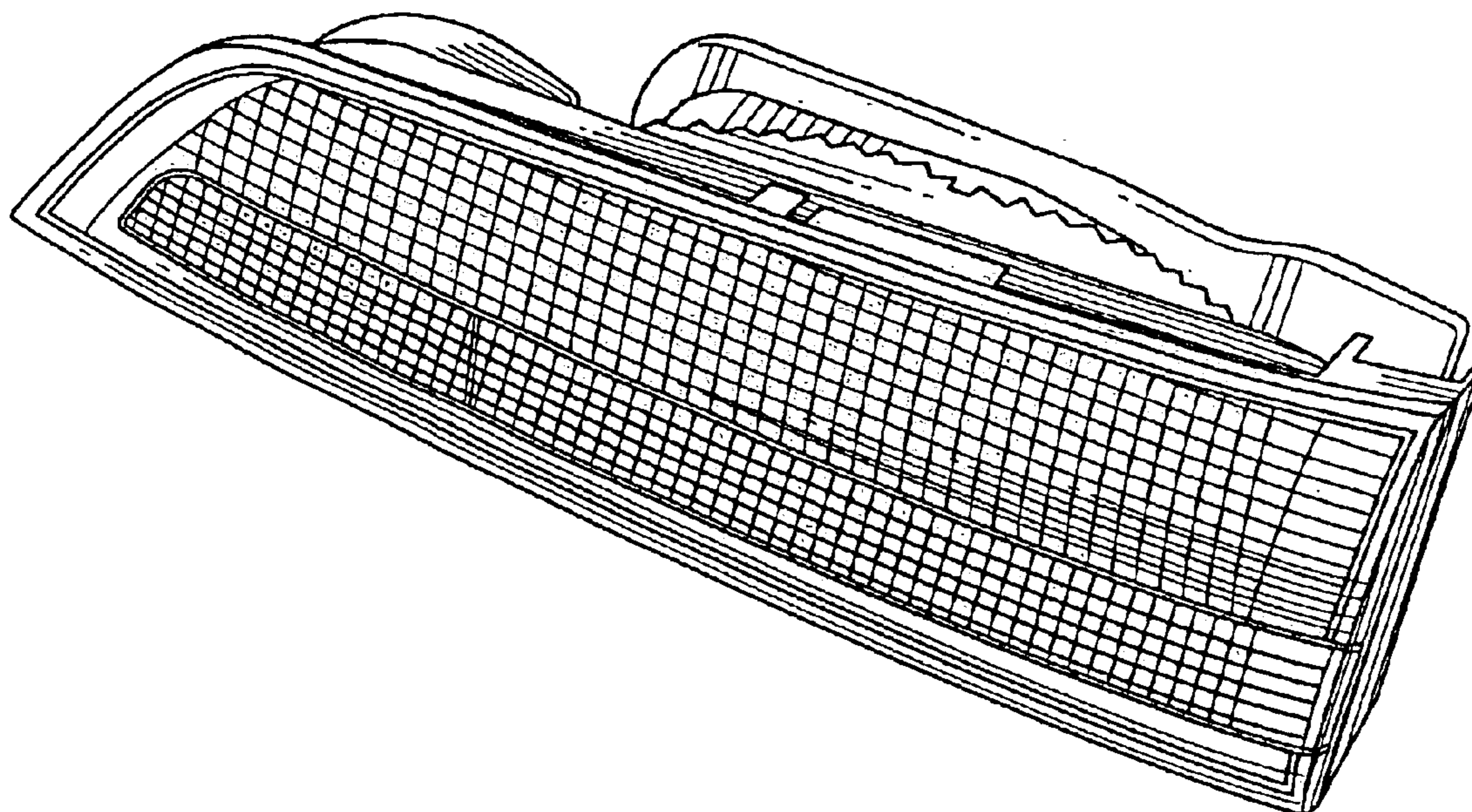


Fig. 1

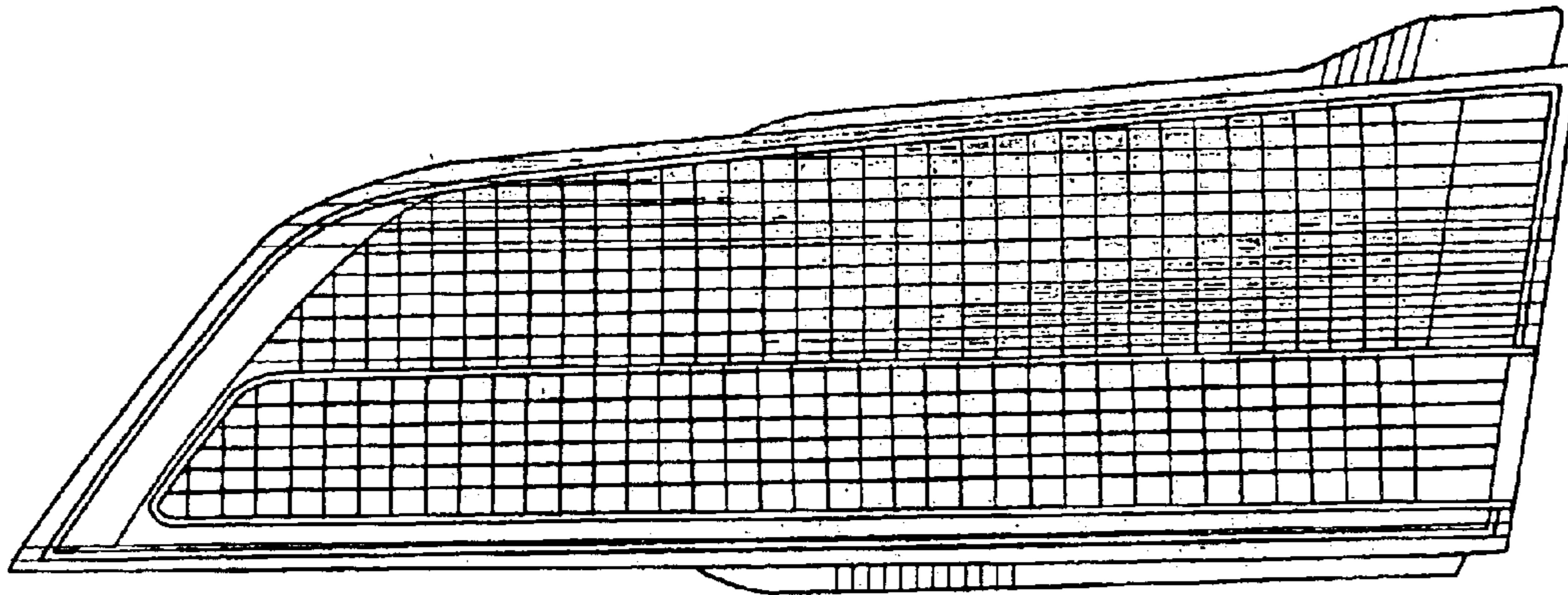


Fig. 2

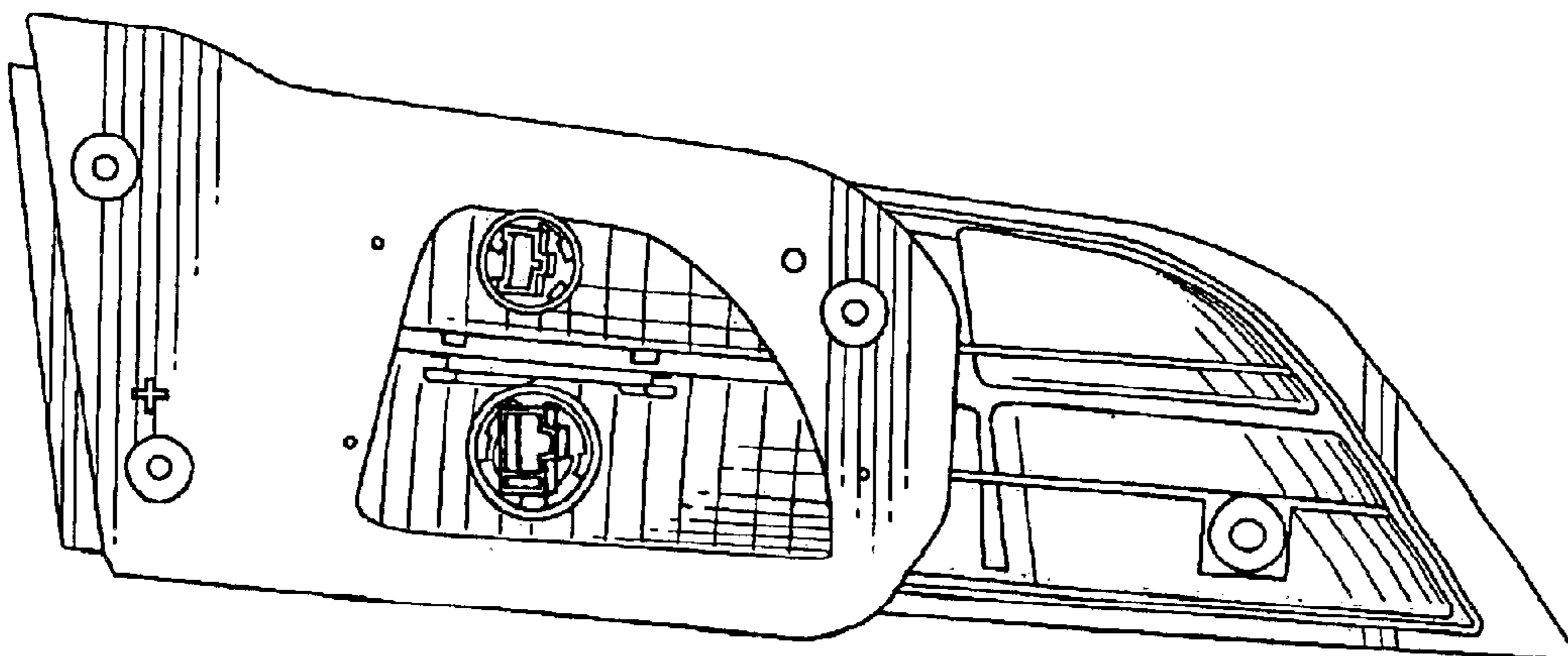


Fig.3

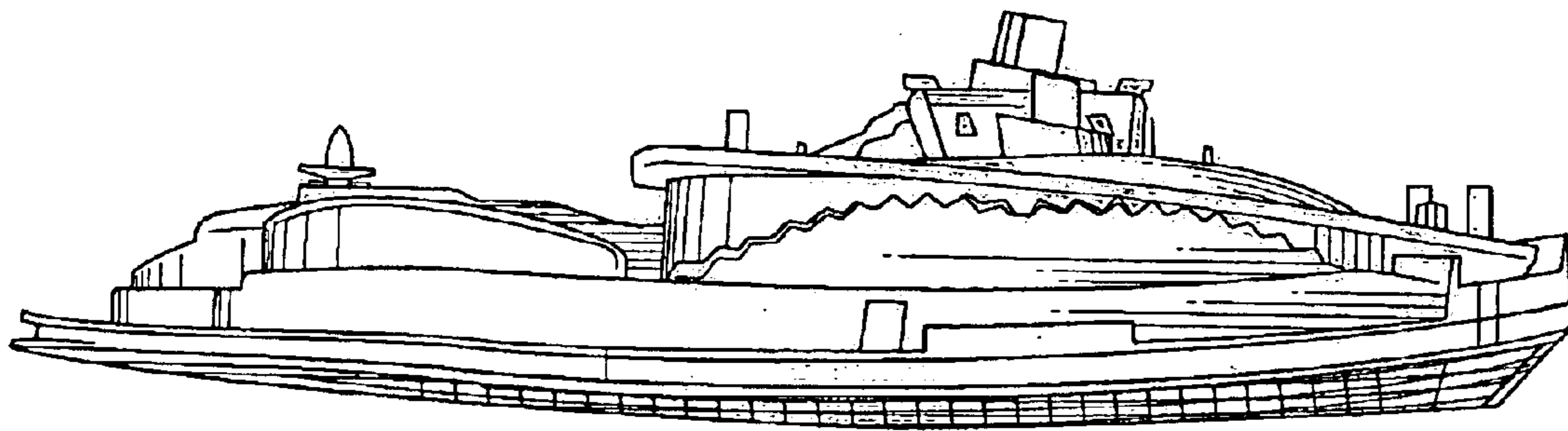


Fig.4

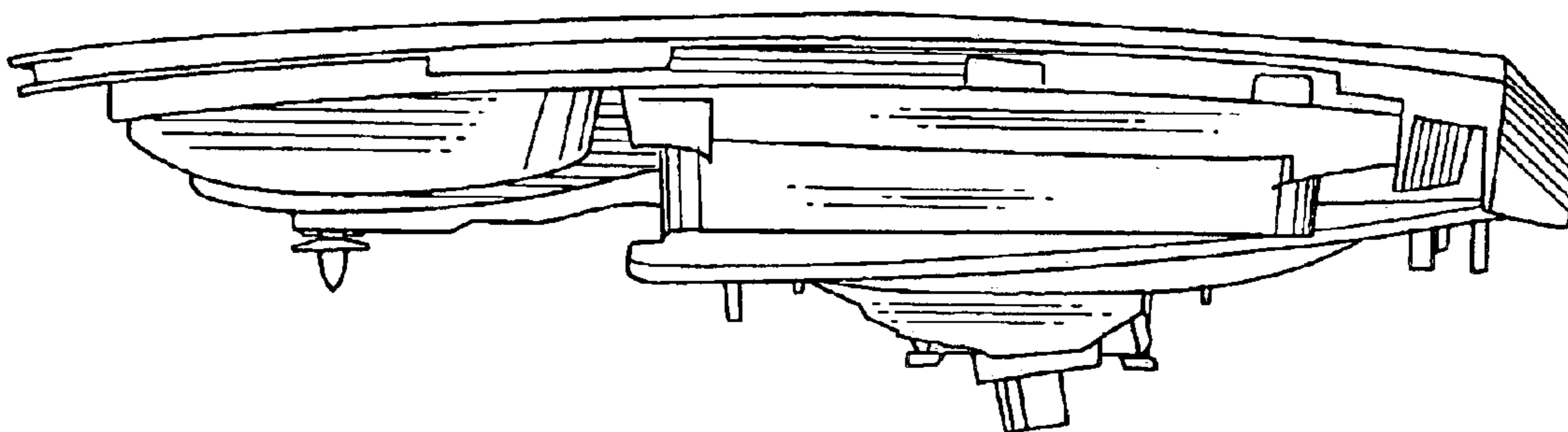


Fig.5

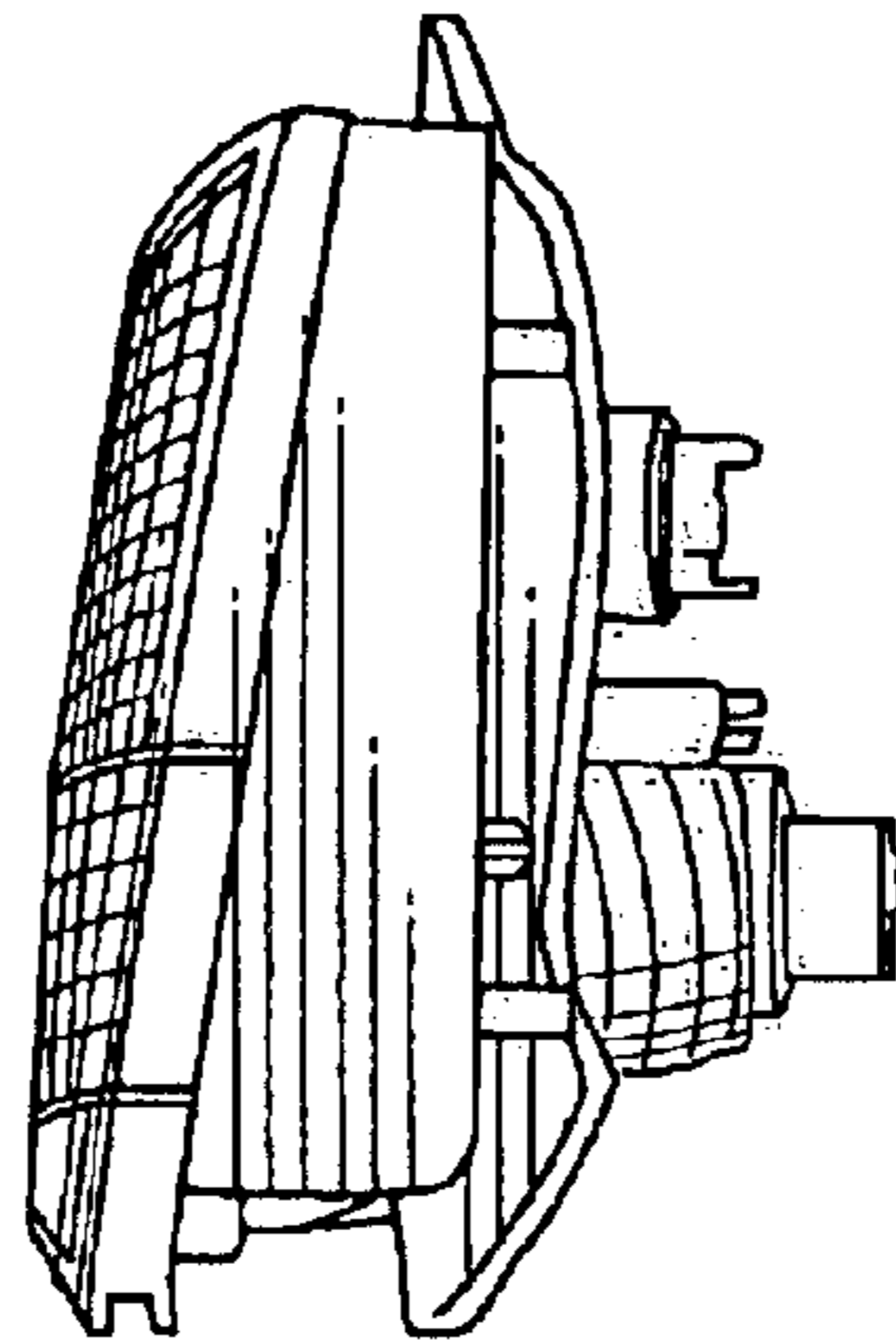


Fig.6

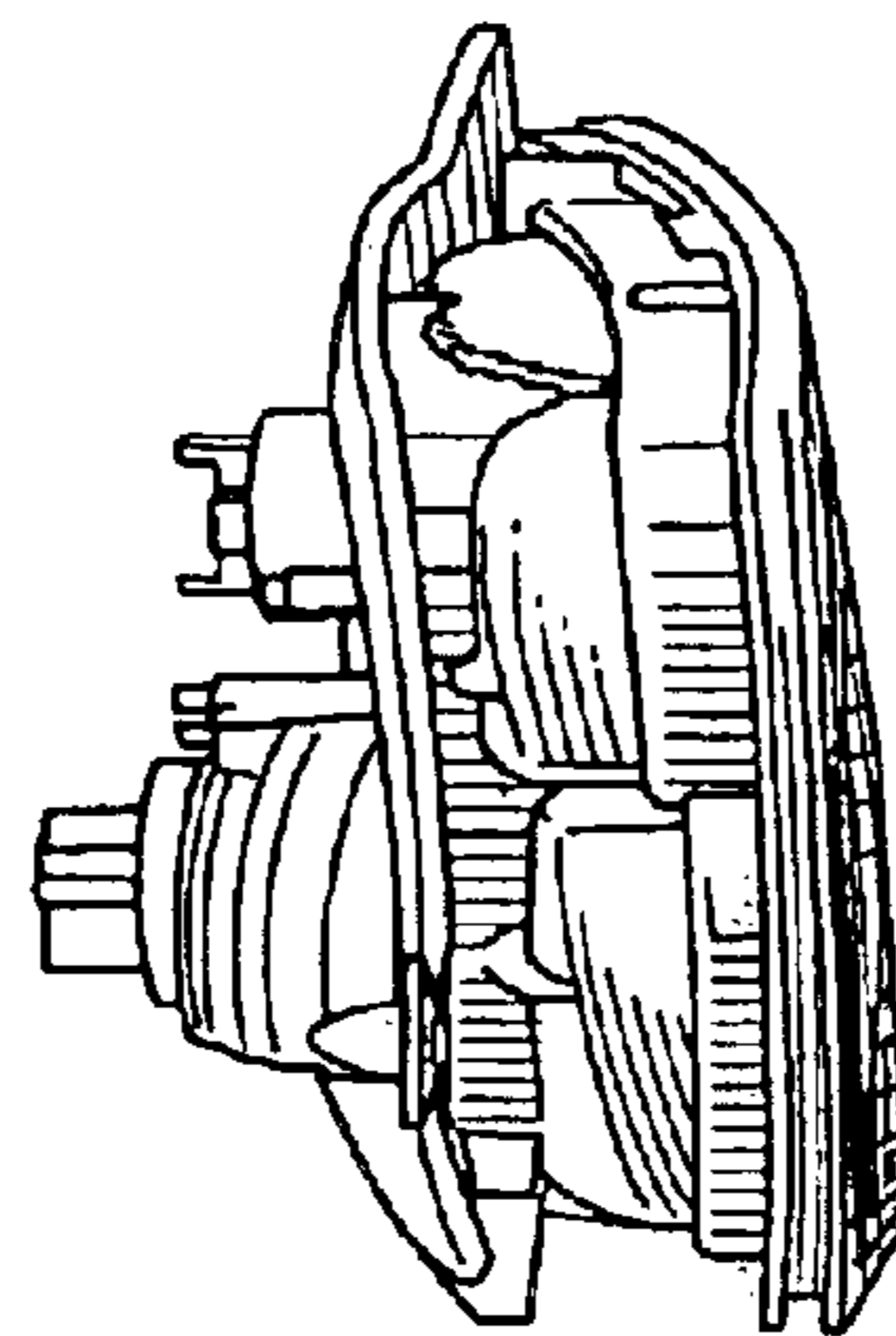


Fig.7

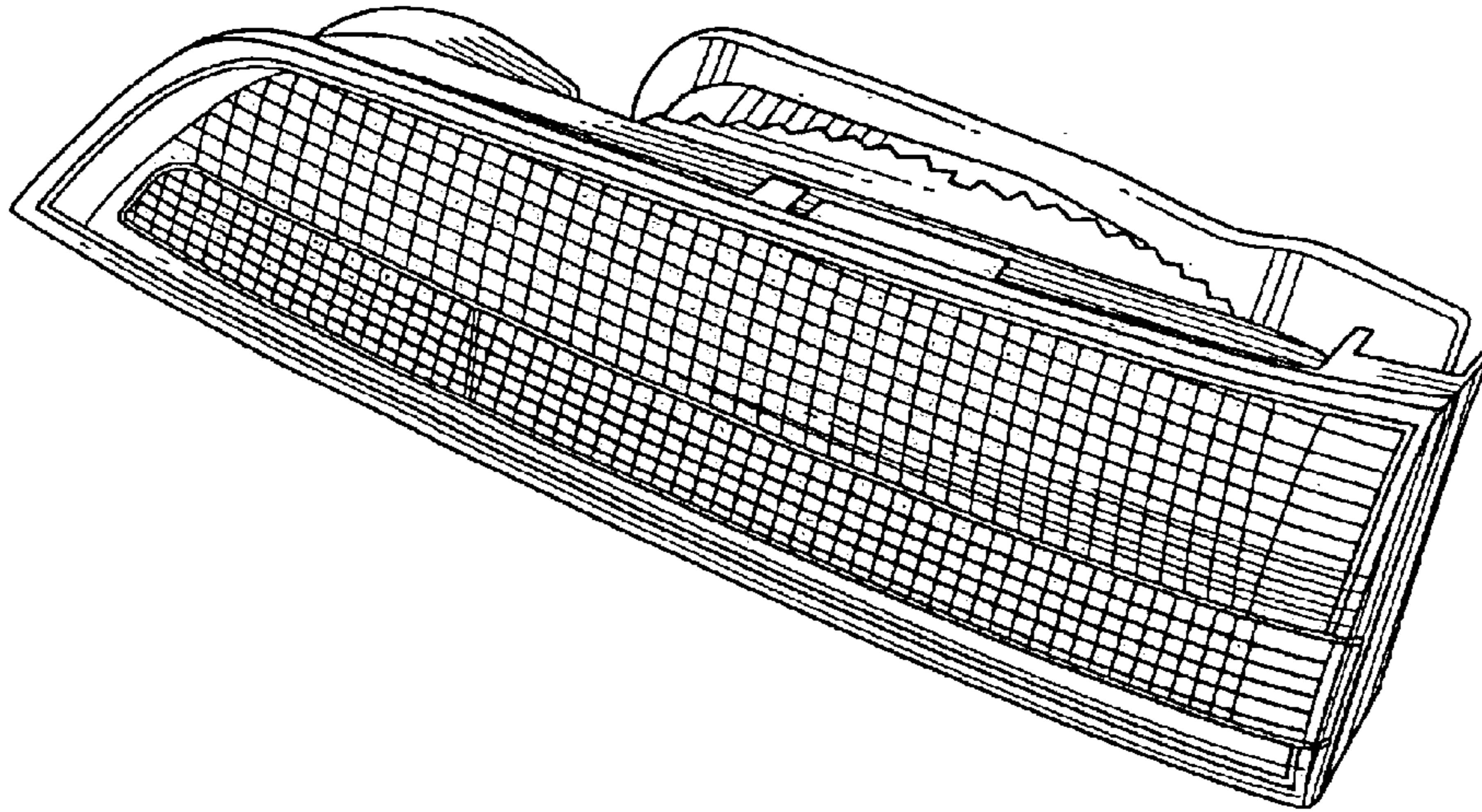


Fig.8

