

US00D502778S

(12) **United States Design Patent** (10) **Patent No.:** **US D502,778 S**
Fischer (45) **Date of Patent:** **** Mar. 8, 2005**

(54) **EXTRUDED ORGANIZER BAR**

(76) **Inventor:** **James R. Fischer**, 1717 Twin Oaks La., Sheboygan, WI (US) 53083

(**) **Term:** **14 Years**

(21) **Appl. No.:** **29/200,780**

(22) **Filed:** **Mar. 4, 2004**

(51) **LOC (7) Cl.** **25-01**

(52) **U.S. Cl.** **D25/124**

(58) **Field of Search** D25/124; 52/588.1, 52/36.5; 211/94.01

(56) **References Cited**

U.S. PATENT DOCUMENTS

D274,267 S	*	6/1984	Cushing	D25/124
D290,753 S	*	7/1987	Nilsson	D25/124
5,185,193 A	*	2/1993	Phenicie et al.	428/57
5,274,979 A	*	1/1994	Tsai	52/588.1
D400,270 S		10/1998	Current	D25/123
5,819,490 A		10/1998	Current	52/588.1
D403,085 S		12/1998	Current	D25/123
5,899,344 A		5/1999	Current et al.	211/94.01
6,574,924 B2	*	6/2003	Maniezzo	52/36.4

OTHER PUBLICATIONS

“Tooling Triad,” Gardner Publications, Inc., reprint of Sep. 2001 Modern Machine Shop Magazine article.

“Slatwall Systems” brochure, Jifram Extrusions, Inc., 2000.

“Extrusions and Fabrication Tooling” brochure, CPC Tooling Technologies, published prior to Dec. 15, 2002.

* cited by examiner

Primary Examiner—Doris Clark

(74) *Attorney, Agent, or Firm*—Andrus, Scales, Starke & Sawall, LLP

(57) **CLAIM**

The ornamental design of the extruded organizer bar, as shown and described.

DESCRIPTION

FIG. 1 is a perspective view of the new extruded organizer bar design shown with upper and lower panel segments that form an L-shaped slot and with a support lip at its lower end;

FIG. 2 is a front view of the extruded organizer bar;

FIG. 3 is a rear view of the extruded organizer bar;

FIG. 4 is a top end view of the extruded organizer bar;

FIG. 5 is a bottom end view of the extruded organizer bar;

FIG. 6 is a side view of the extruded organizer bar showing it mounted to a wall and supporting a hanger bracket, which are both shown in broken lines;

FIG. 7 is a perspective view of a second embodiment of the new extruded organizer bar design shown with the support lip offset from its lower end;

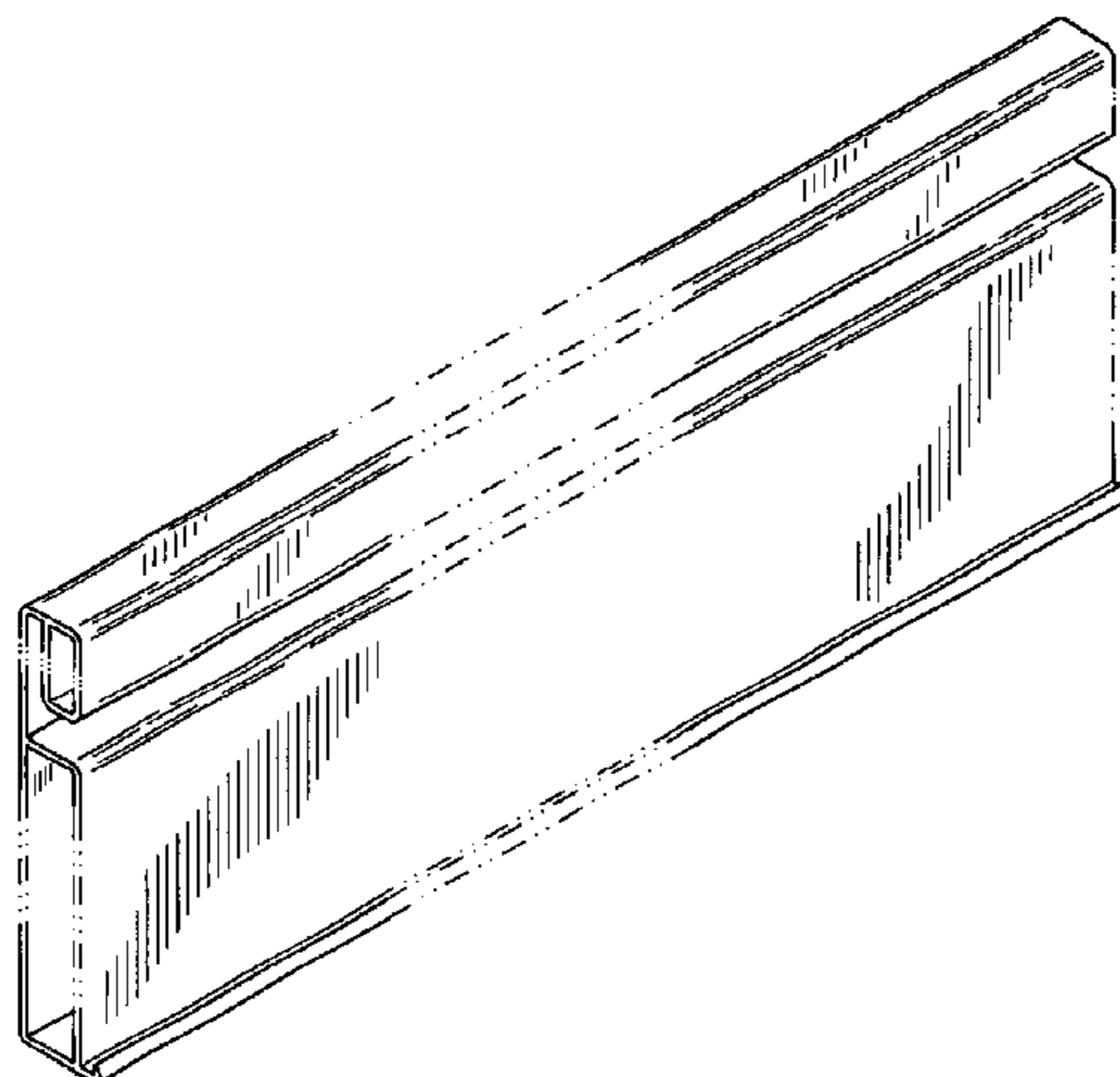
FIG. 8 is a side view of the second embodiment of the extruded organizer bar;

FIG. 9 is a perspective view of a third embodiment of the new extruded organizer bar design with an internal web proximal its lower end; and,

FIG. 10 is a side view of the third embodiment of the extruded organizer bar.

The side views opposite those in FIGS. 6, 8 and 10 are mirror images. The broken lines showing the connecting ends, fastener holes, internal web, wall and hanger bracket are for illustrative purposes only and form no part of the claimed design. The remaining broken lines in the drawings are to disclose the indeterminate length of the extruded organizer bar and the indeterminate width of its panel segments.

1 Claim, 5 Drawing Sheets



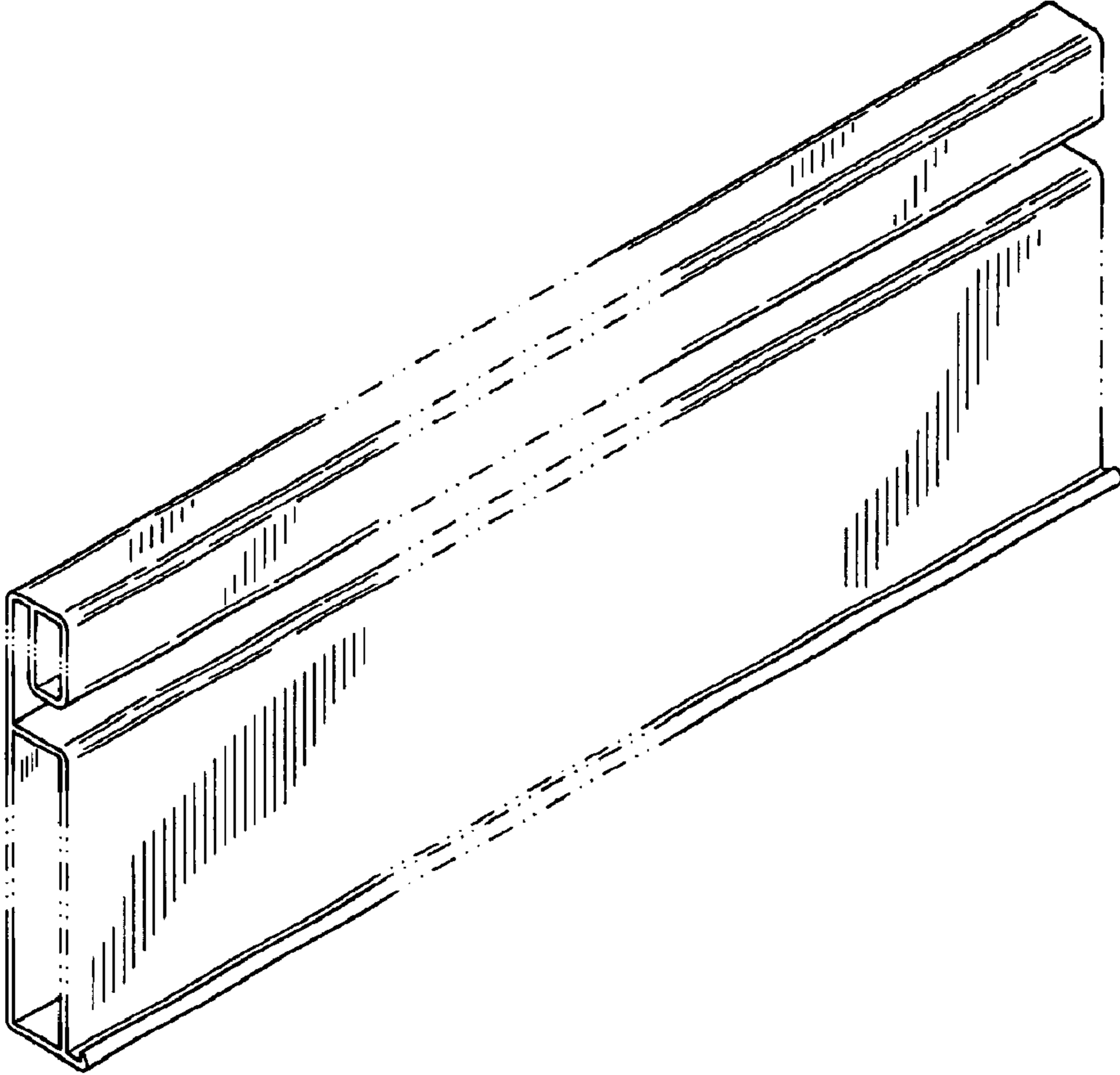


FIG. 1

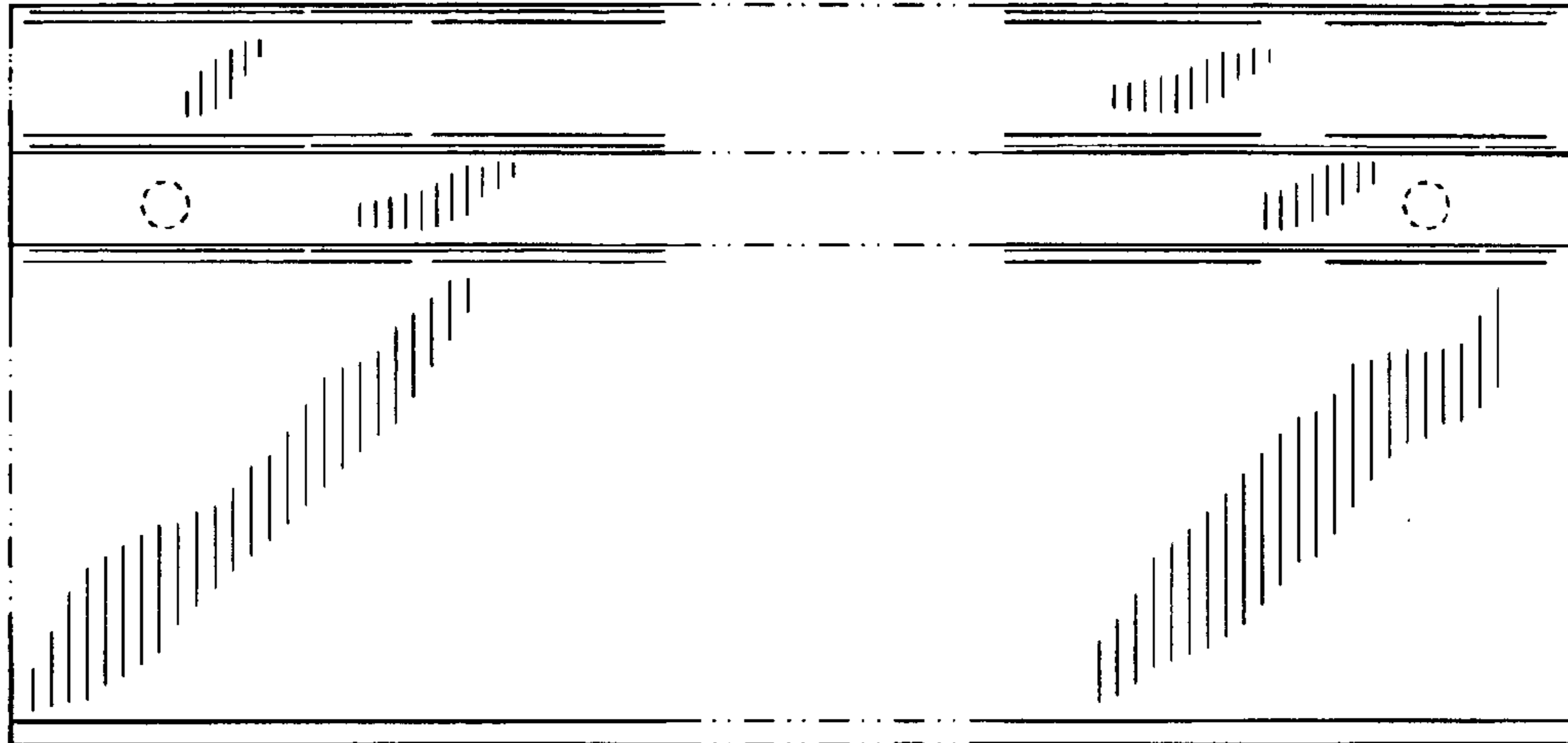


FIG. 2

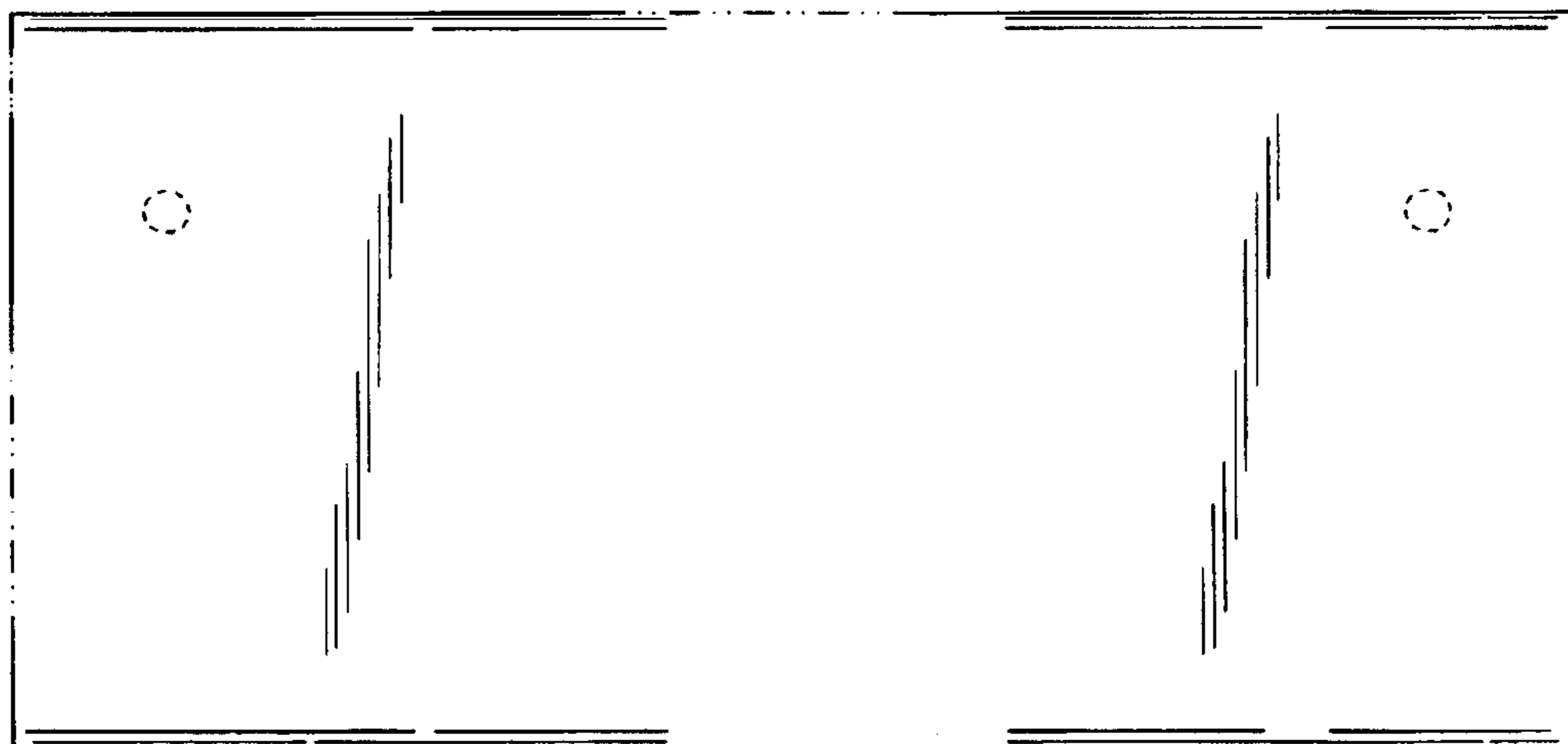


FIG. 3

FIG. 4

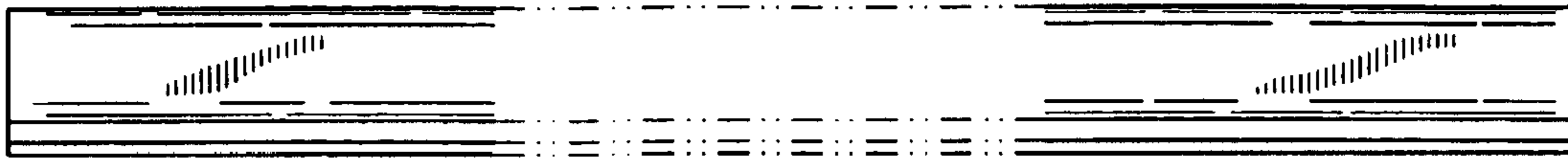


FIG. 5

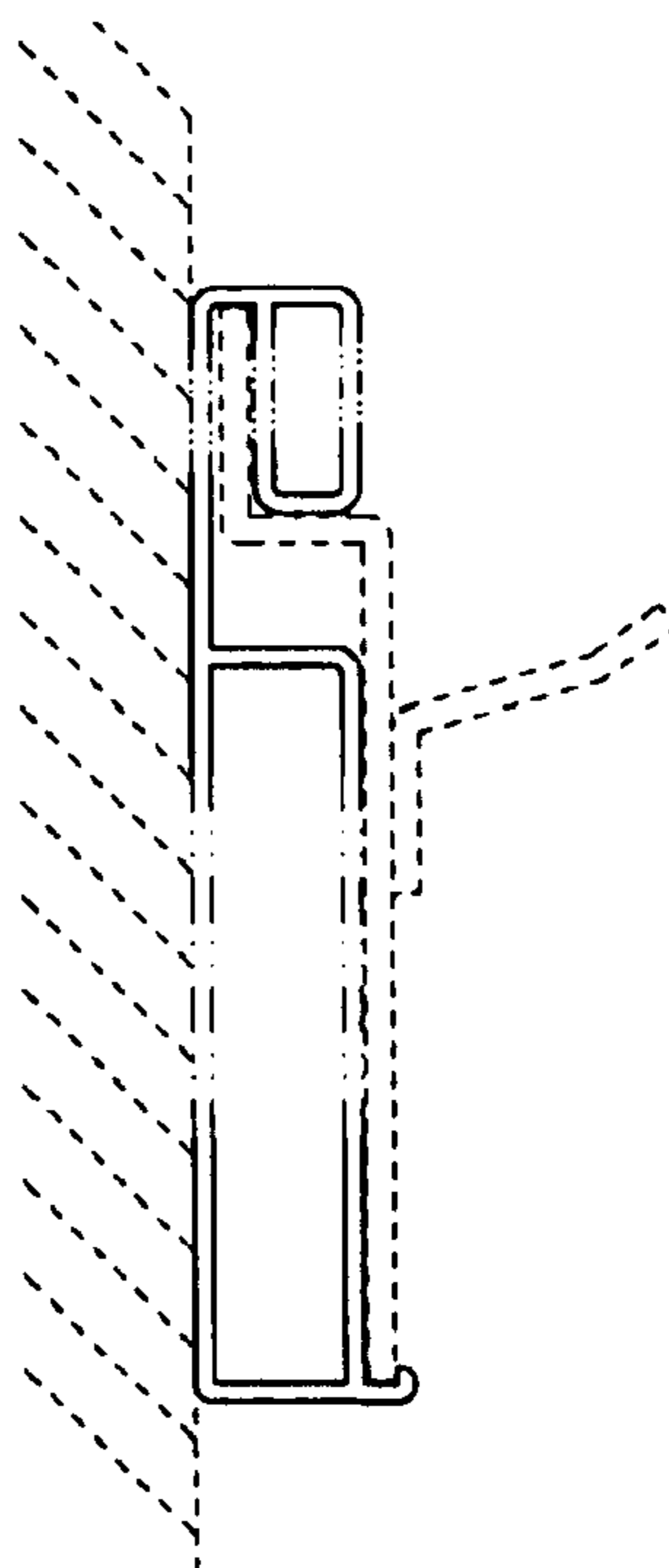


FIG. 6

FIG. 7

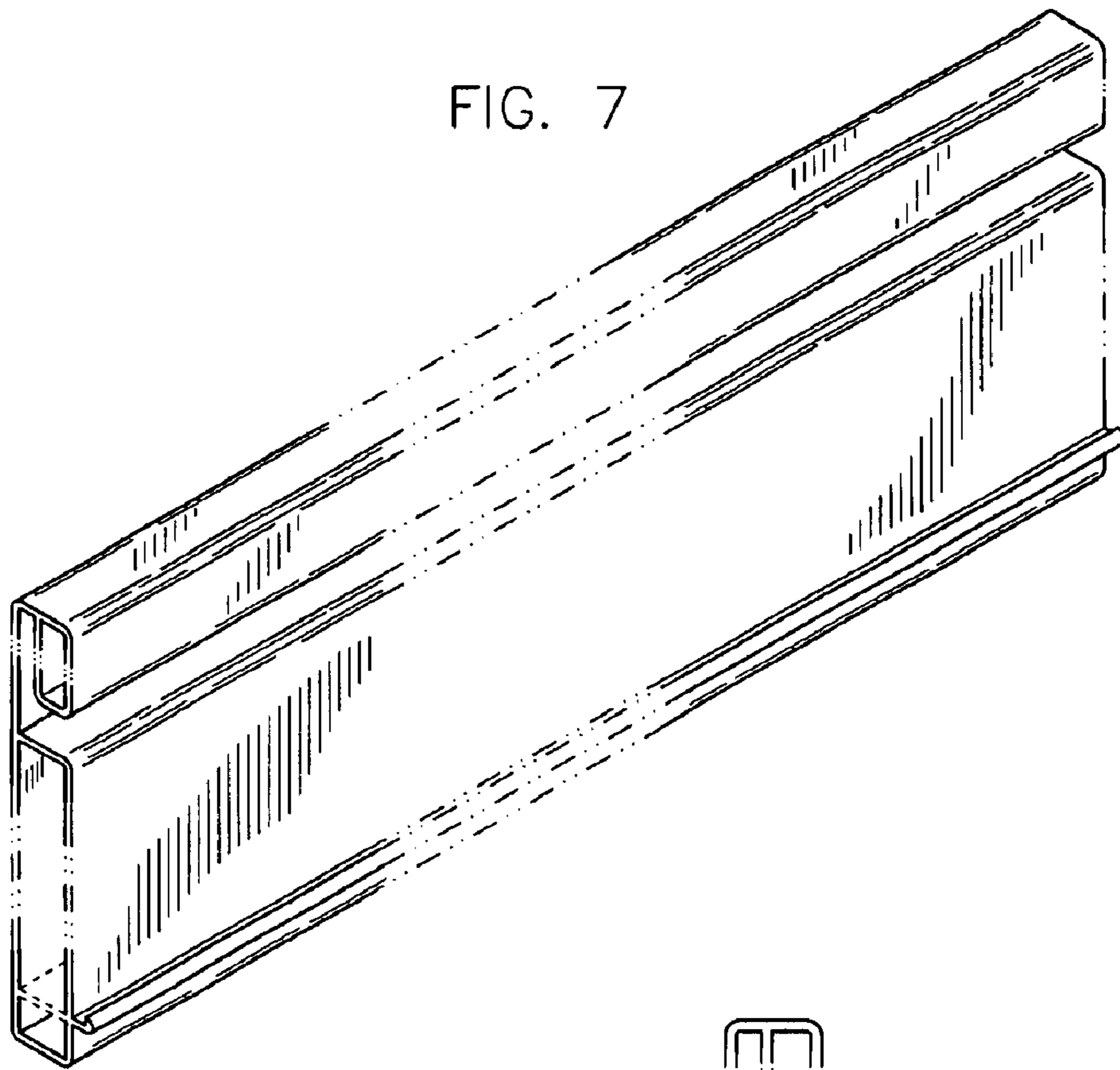


FIG. 8

FIG. 9

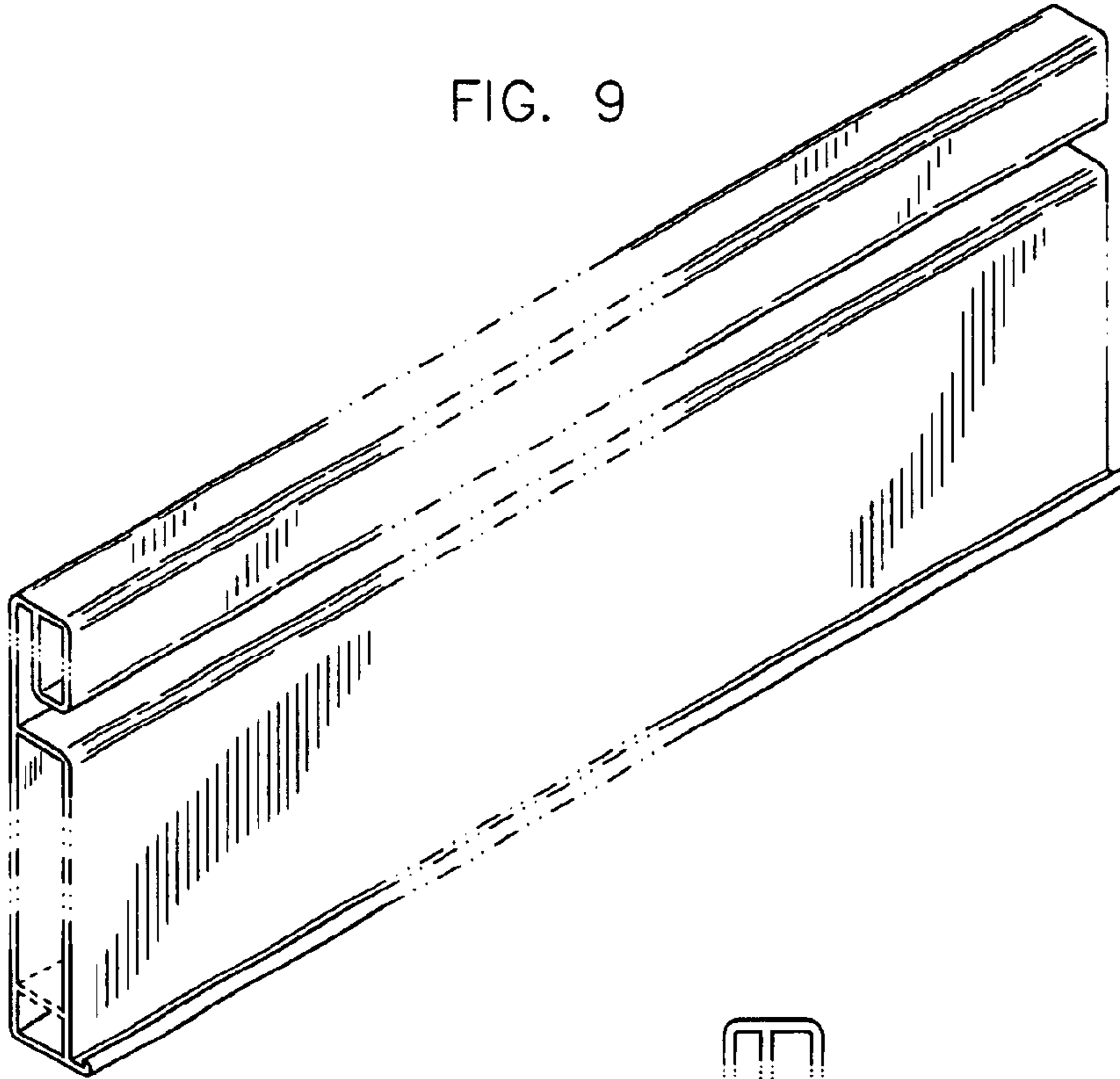


FIG. 10