

US00D502775S

(12) **United States Design Patent**
Kokaisel

(10) **Patent No.: US D502,775 S**
(45) **Date of Patent: ** Mar. 8, 2005**

(54) **EXTENDED PORT SAMPLE PROCESSING DEVICE**

(75) Inventor: **Christopher R. Kokaisel**, St. Paul, MN (US)

(73) Assignee: **3M Innovative Properties Company**, St. Paul, MN (US)

(**) Term: **14 Years**

(21) Appl. No.: **29/172,949**

(22) Filed: **Dec. 19, 2002**

(51) **LOC (7) Cl.** **24-02**

(52) **U.S. Cl.** **D24/226**

(58) **Field of Search** D24/216, 224, D24/226, 227, 229, 230; 422/99, 104, 101; 435/283.1, 288.3, 288.4, 288.5, 305.1, 305.2

(56) **References Cited**

U.S. PATENT DOCUMENTS

3,890,201 A	6/1975	Cady	
4,072,578 A	2/1978	Cady et al.	
4,545,958 A	10/1985	Dopatka	
5,164,067 A	11/1992	Marsoner et al.	
5,417,923 A	* 5/1995	Bojanic et al.	422/101
5,939,024 A	* 8/1999	Robertson	422/101
6,030,581 A	2/2000	Virtanen	
D435,300 S	12/2000	Bhullar et al.	
D463,570 S	* 9/2002	Bedingham et al.	D24/216
D463,863 S	10/2002	Carlson et al.	
D469,544 S	* 1/2003	Lafond et al.	D24/224

FOREIGN PATENT DOCUMENTS

EP	0 693 560 A2	2/1996
WO	WO 97/21090	6/1997
WO	WO 99/67639	12/1999
WO	WO 00/40750	7/2000
WO	WO 00/50172	8/2000
WO	WO 00/50642	8/2000
WO	WO 00/69560	11/2000

* cited by examiner

Primary Examiner—Stella Reid

(57) **CLAIM**

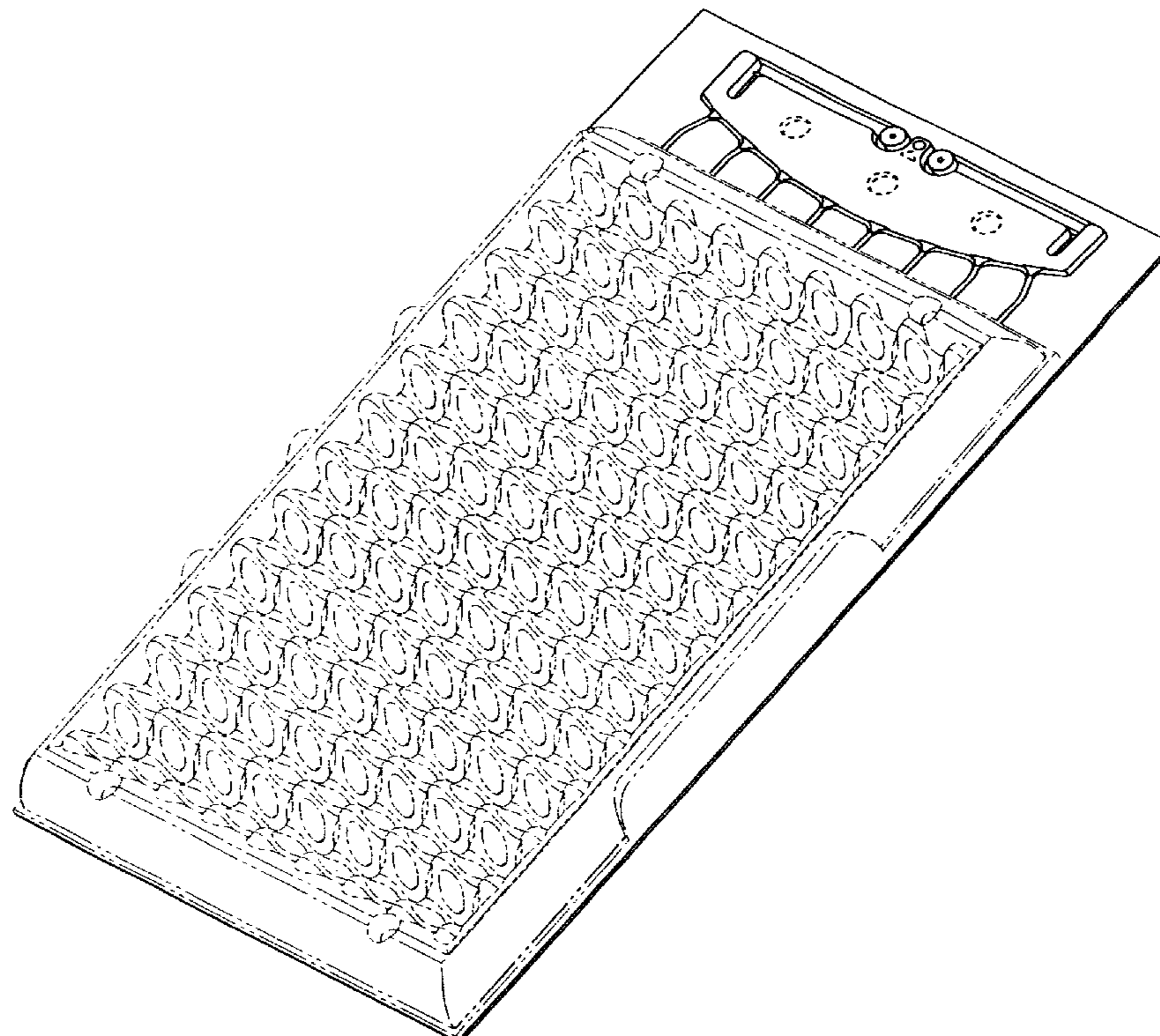
The ornamental design for an extended port sample processing device, as shown and described.

DESCRIPTION

FIG. 1 is a perspective view of an extended port sample processing device showing the new design;
 FIG. 2 is a top plan view thereof;
 FIG. 3 is a bottom plan view thereof;
 FIG. 4 is an end view taken from above the device as depicted in FIG. 2;
 FIG. 5 is an end view taken from below the device as depicted in FIG. 2;
 FIG. 6 is a right side view thereof; and,
 FIG. 7 is a left side view thereof.

The features illustrated in broken lines in the figures do not form a part of the claimed invention.

1 Claim, 2 Drawing Sheets



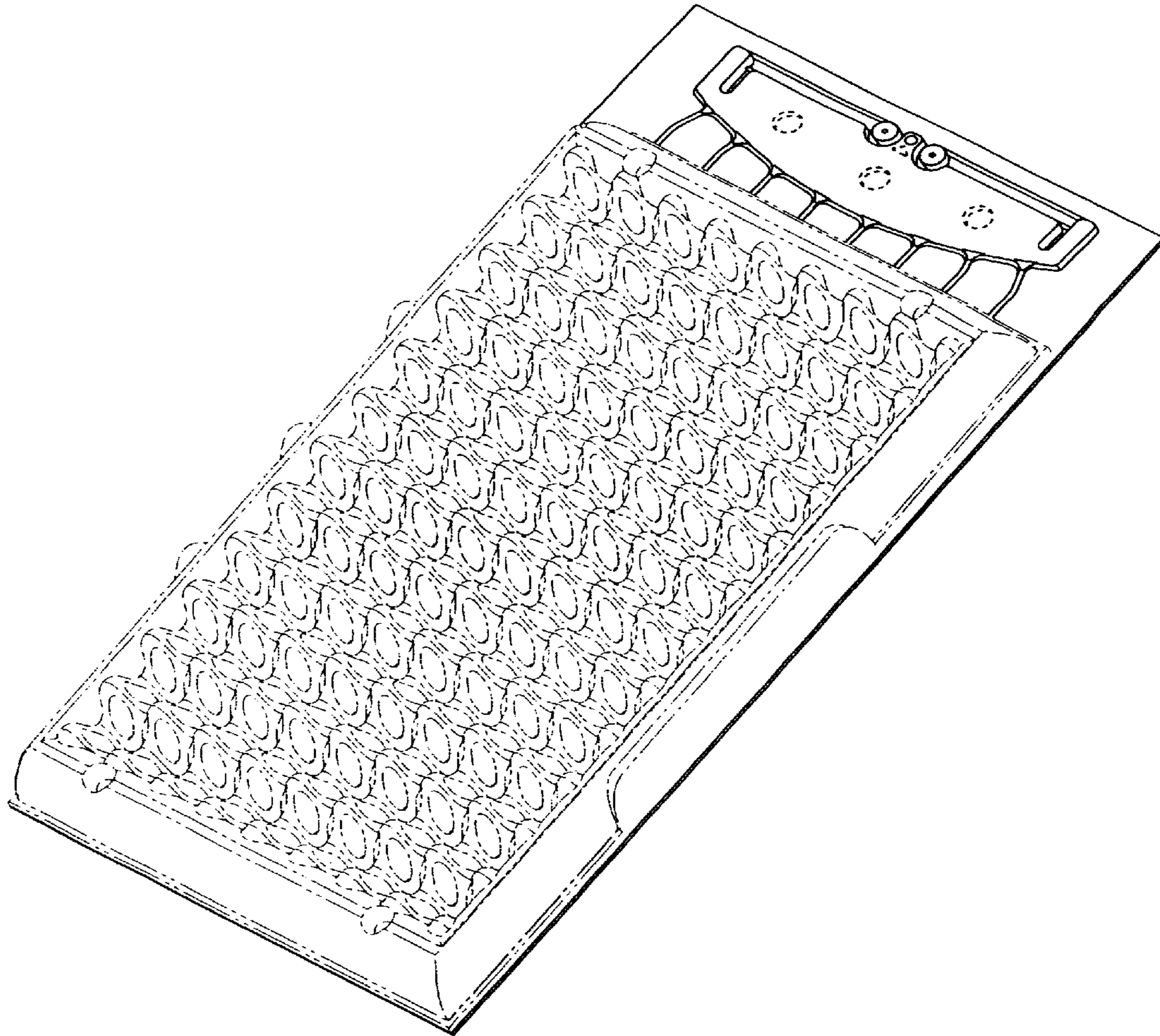


Fig. 1

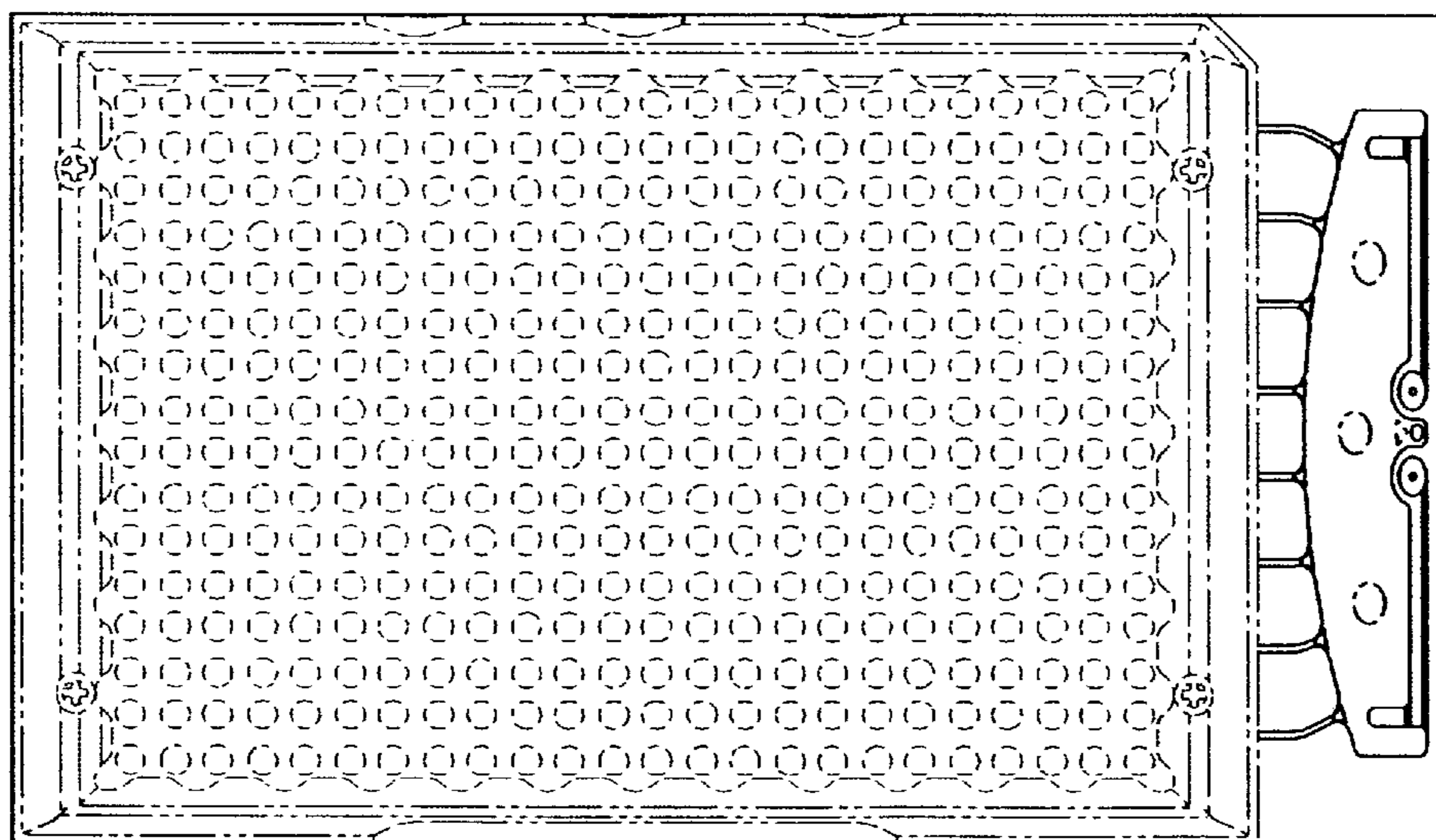


Fig. 2

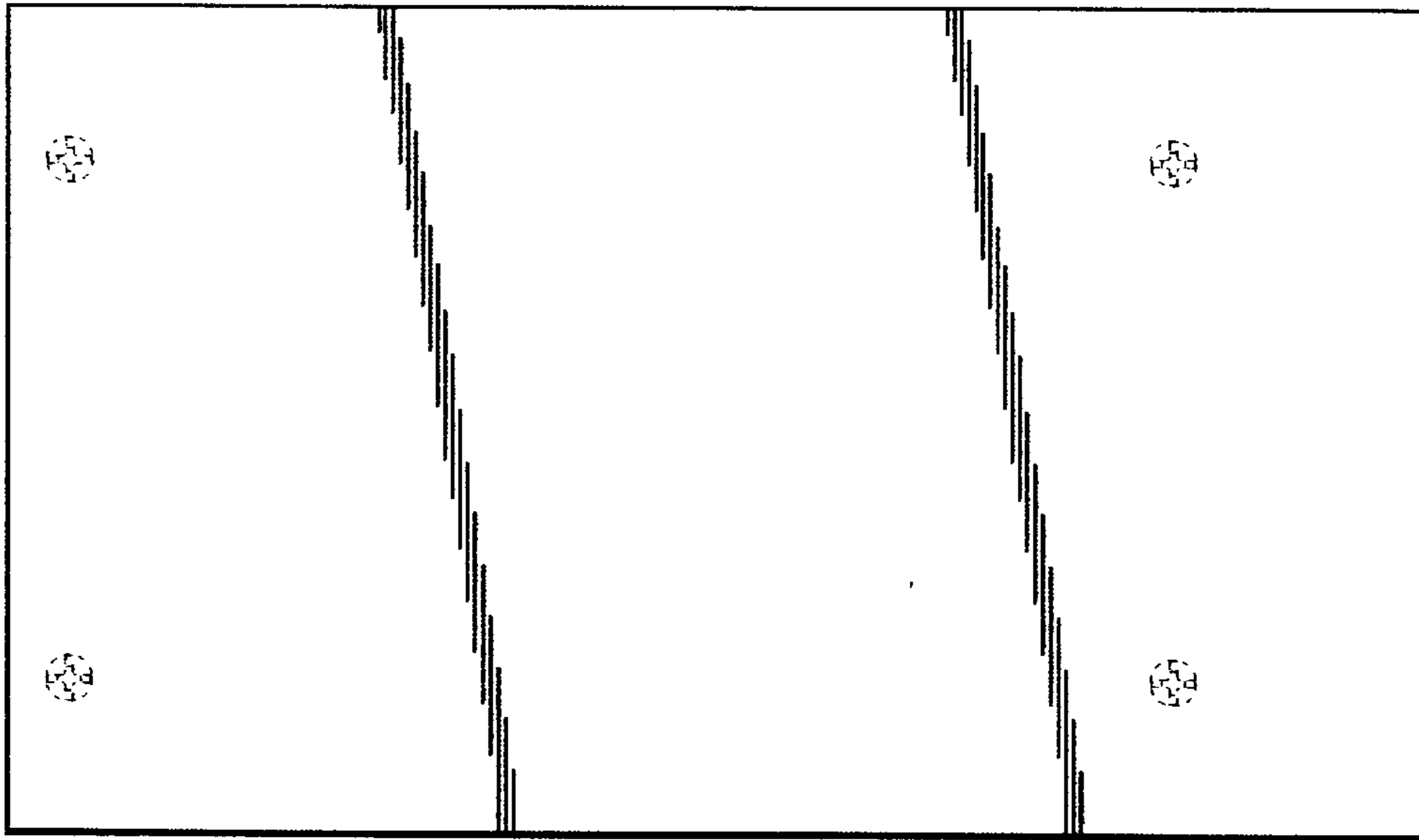


Fig. 3

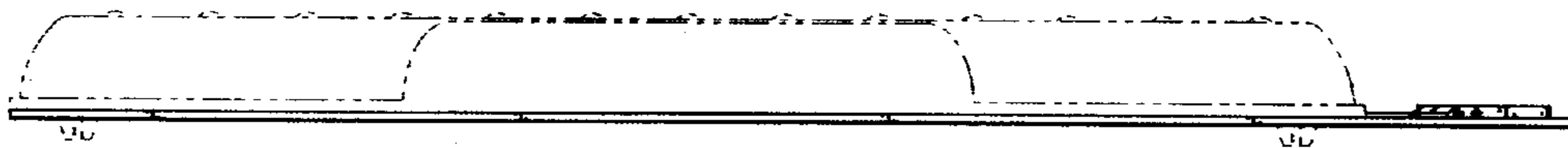


Fig. 4

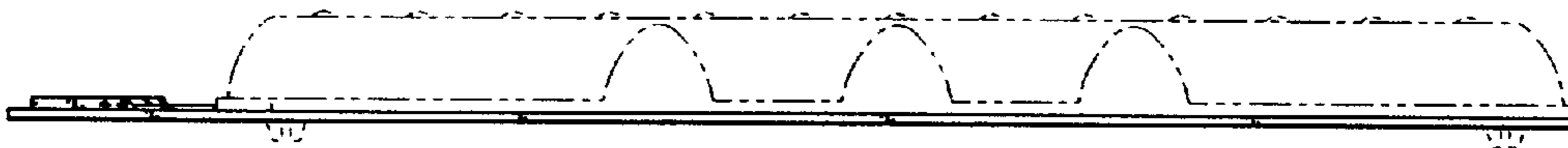


Fig. 5

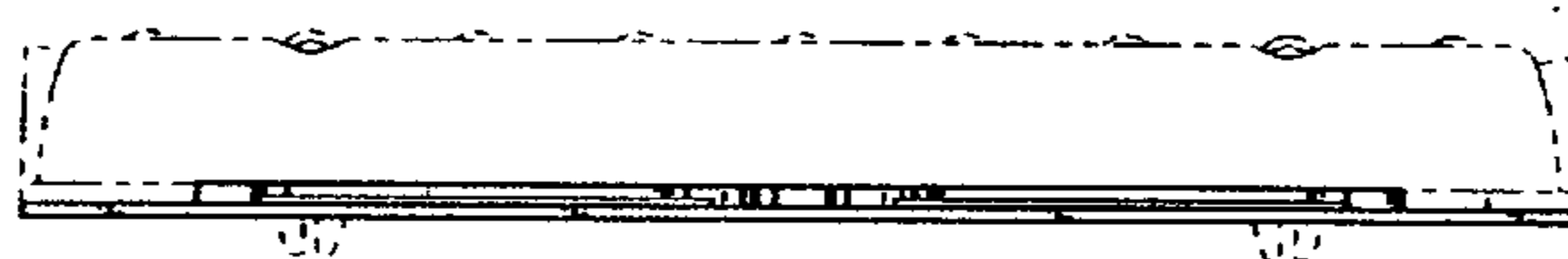


Fig. 6

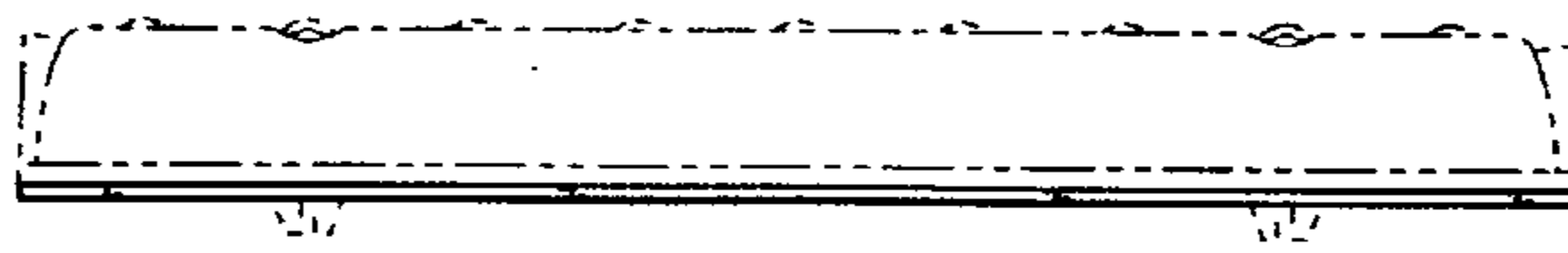


Fig. 7

UNITED STATES PATENT AND TRADEMARK OFFICE
Certificate

Patent No. D. 502,775 S

Patented: March 8, 2005

On petition requesting issuance of a certificate for correction of inventorship pursuant to 35 U.S.C. 256, it has been found that the above identified patent, through error and without any deceptive intent, improperly sets forth the inventorship.

Accordingly, it is hereby certified that the correct inventorship of this patent is: Christopher R. Kokaisel, St. Paul, MN (US); Kenneth B. Wood, Minneapolis, MN (US).

Signed and Sealed this Sixth Day of May 2008.

STELLA M. REID
Supervisory Patent Examiner
Art Unit 2912