

US00D502772S

(12) **United States Design Patent**
Abry

(10) **Patent No.:** **US D502,772 S**
(45) **Date of Patent:** **** Mar. 8, 2005**

(54) **TROLLEY STAND STOP BLOCK FOR MEDICAL LAMP**

D287,055 S * 12/1986 Fick et al. D24/128
D354,350 S * 1/1995 Pryor et al. D24/128

(75) Inventor: **Emil Abry**, Hoslekroken (NO)

* cited by examiner

(73) Assignee: **Photocure Asa**, Oslo (NO)

Primary Examiner—Ian Simmons

(**) Term: **14 Years**

(74) *Attorney, Agent, or Firm*—Kenyon & Kenyon

(21) Appl. No.: **29/185,122**

(57) **CLAIM**

(22) Filed: **Jun. 23, 2003**

The ornamental design for a trolley stand stop block for medical lamp, as shown and described.

(30) **Foreign Application Priority Data**

DESCRIPTION

Dec. 24, 2002 (GB) 3009680

FIG. 1 is a front perspective view of a trolley stand stop block for medical lamp showing my new design;

(51) **LOC (7) Cl.** **24-02**

FIG. 2 is a top plan view thereof;

(52) **U.S. Cl.** **D24/128; D24/209**

FIG. 3 is a front elevation view thereof;

(58) **Field of Search** D24/128, 209,

FIG. 4 is a rear elevation view thereof;

D24/107, 210, 169, 186, 185; D26/28, 65, 63; 362/410, 804, 457, 458; 248/127, 129, 519, 188.91

FIG. 5 is a side elevation view thereof, the opposite side being a mirror image thereto;

(56) **References Cited**

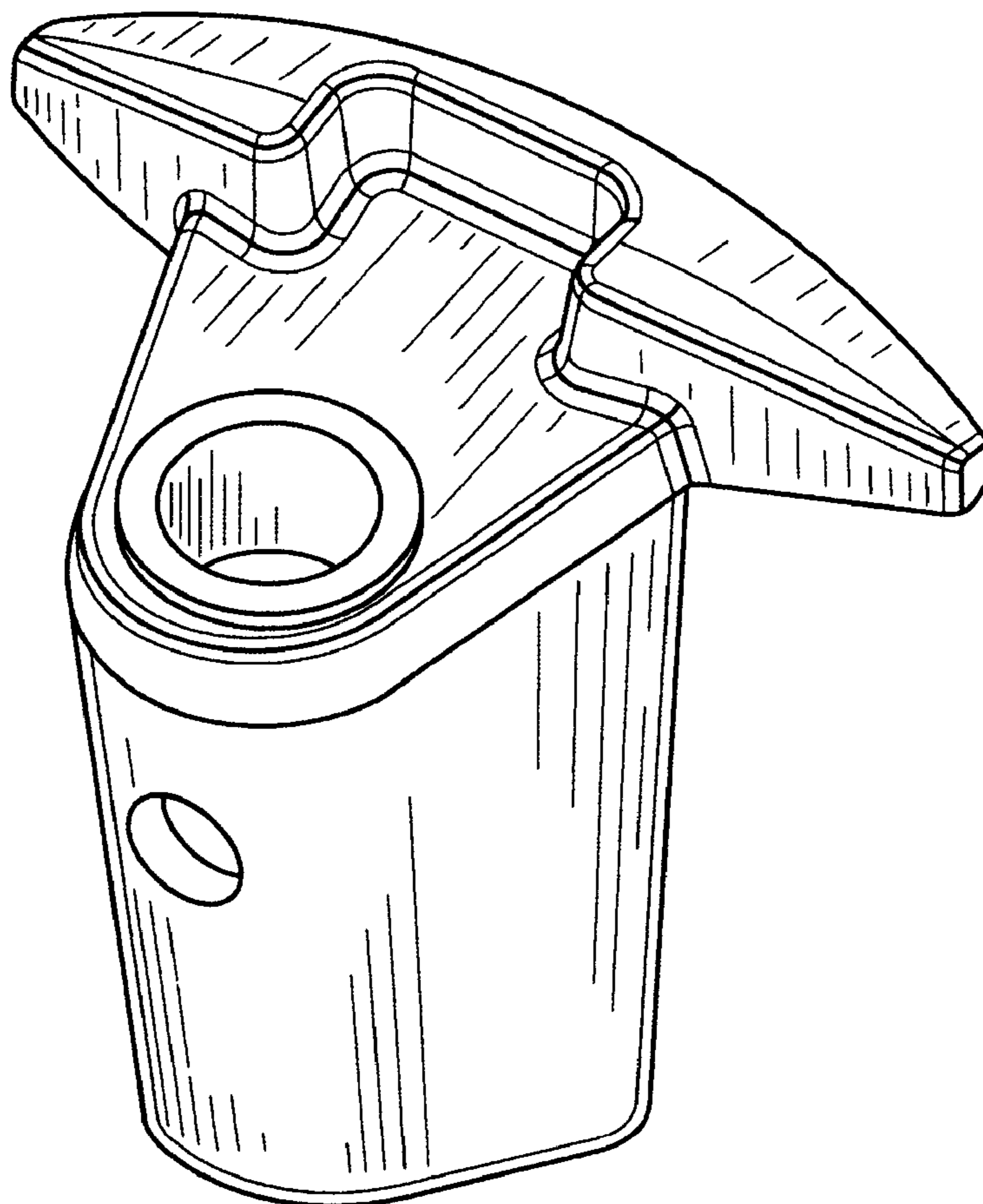
FIG. 6 is a perspective view thereof, the broken line showing is for illustrative purposes only and forms no part of the claimed design; and,

U.S. PATENT DOCUMENTS

FIG. 7 is a perspective view thereof.

D260,816 S * 9/1981 Zissimopoulos et al. ... D24/128

1 Claim, 4 Drawing Sheets



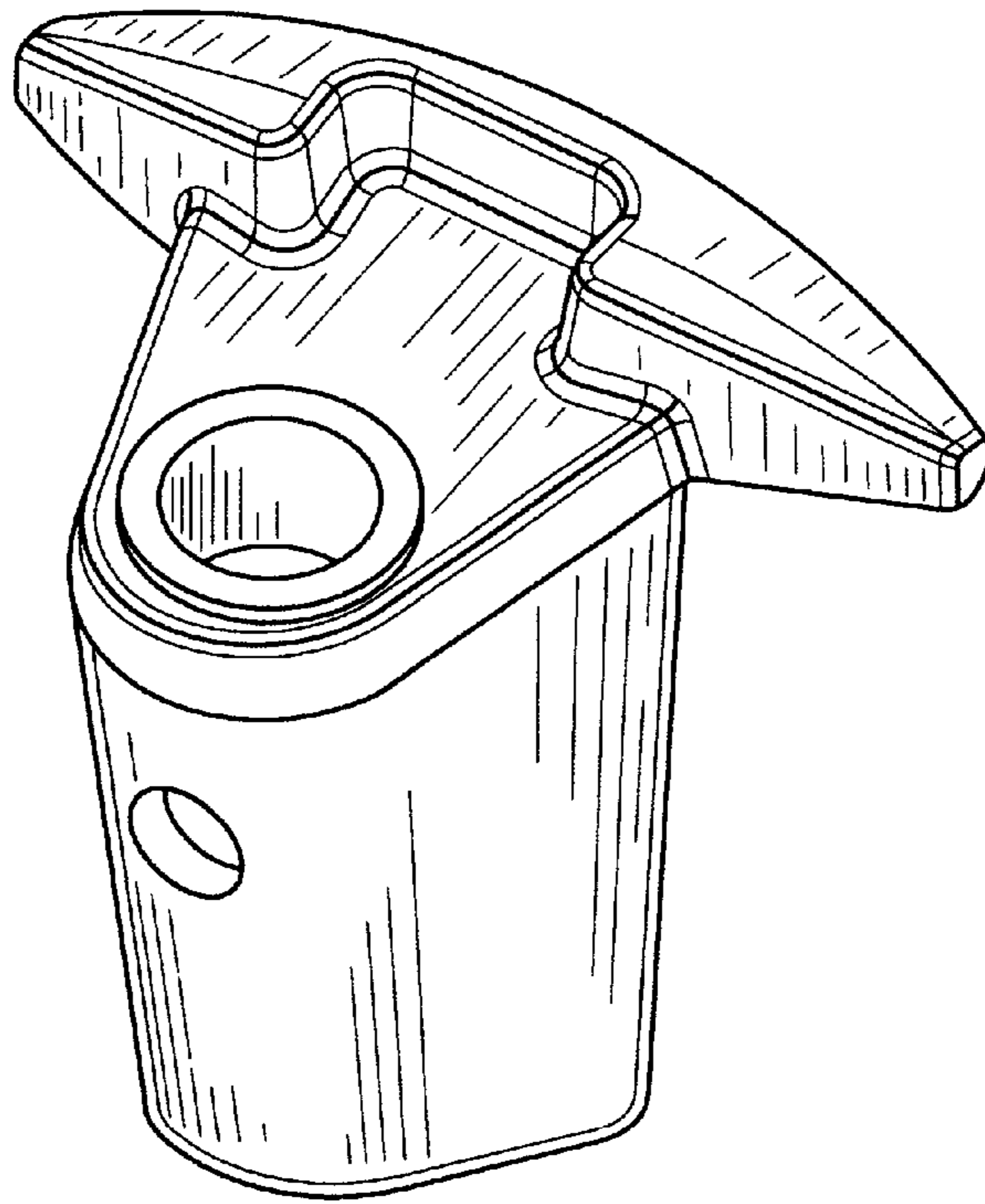


FIG. 1

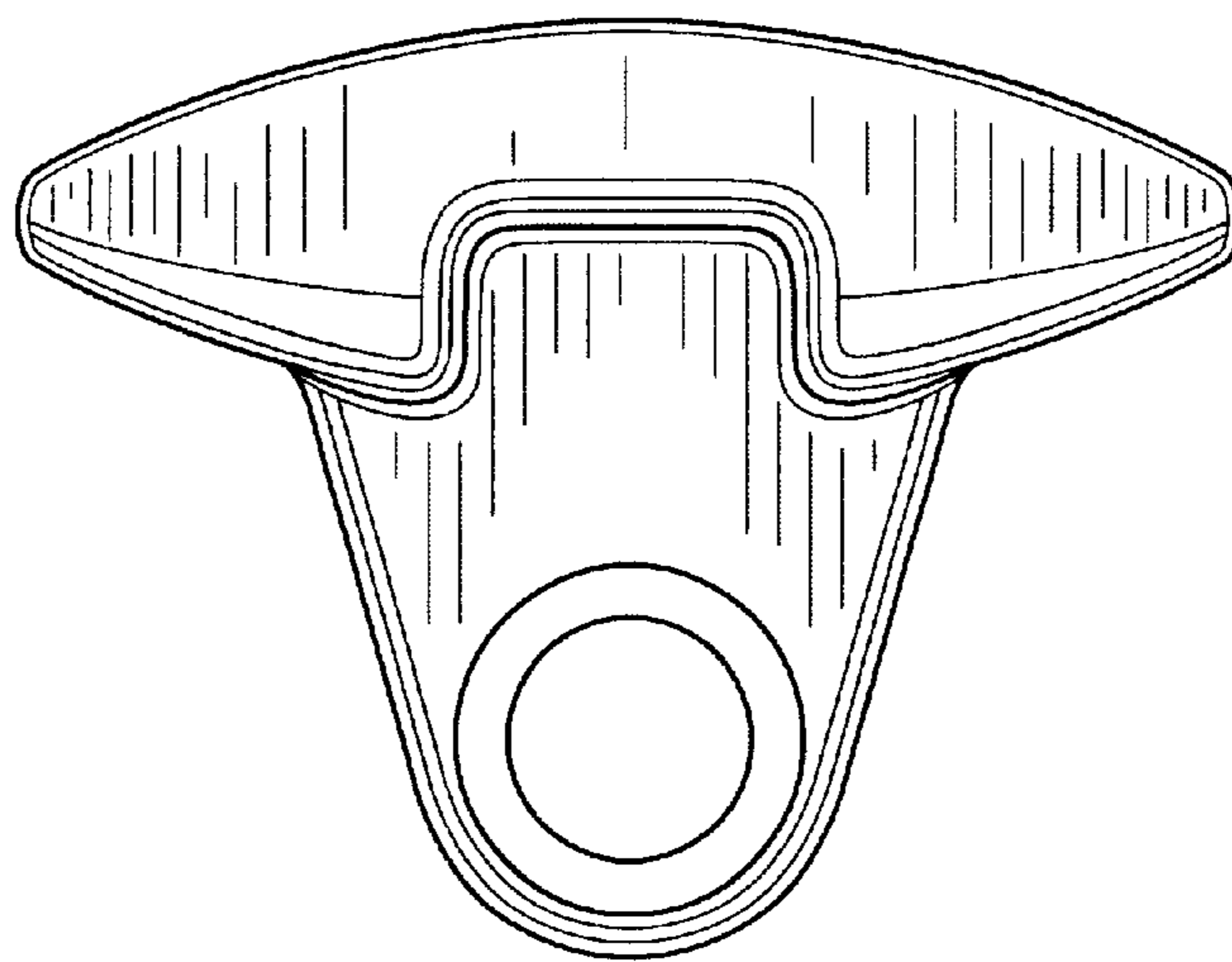


FIG. 2

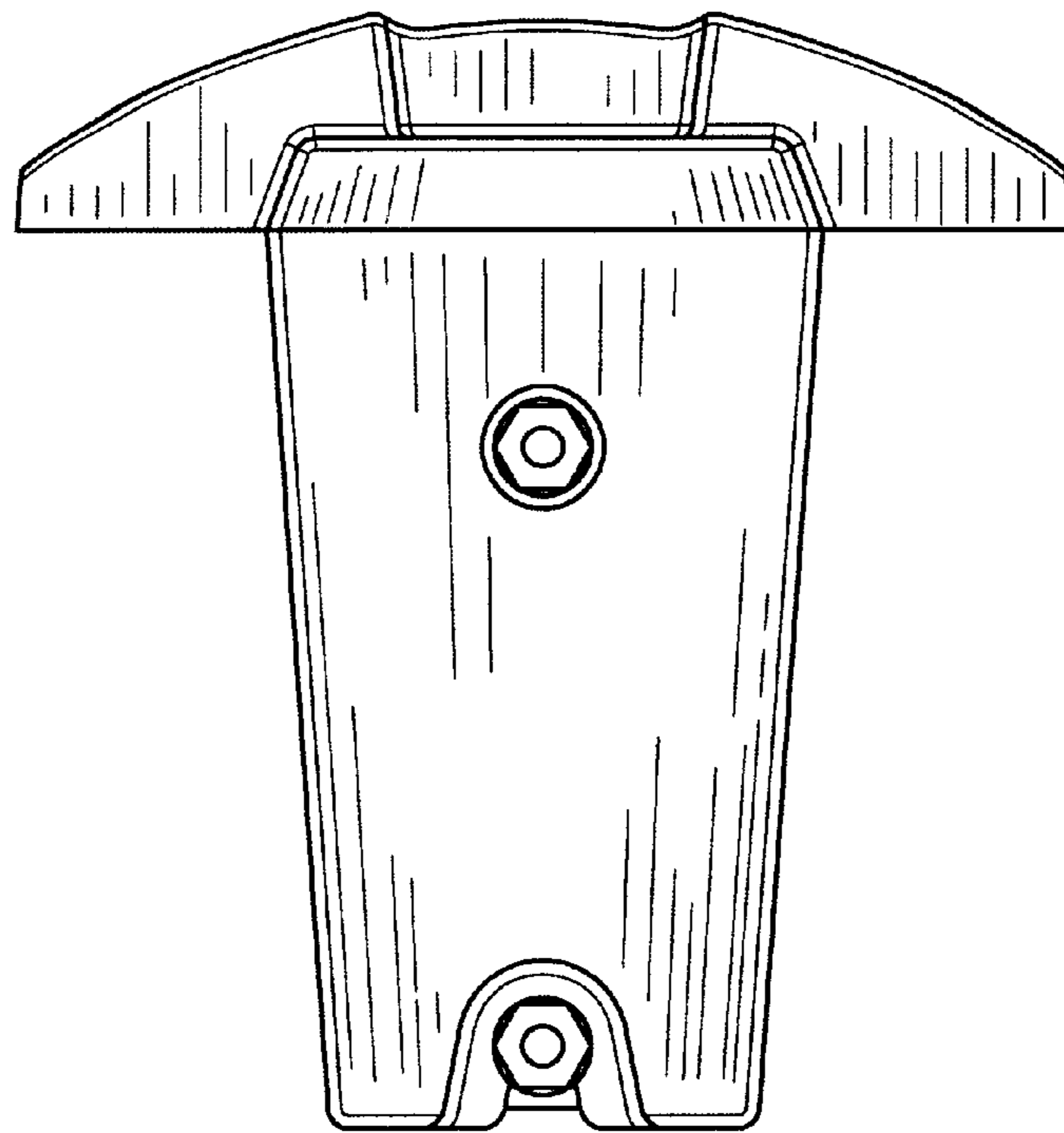


FIG. 3

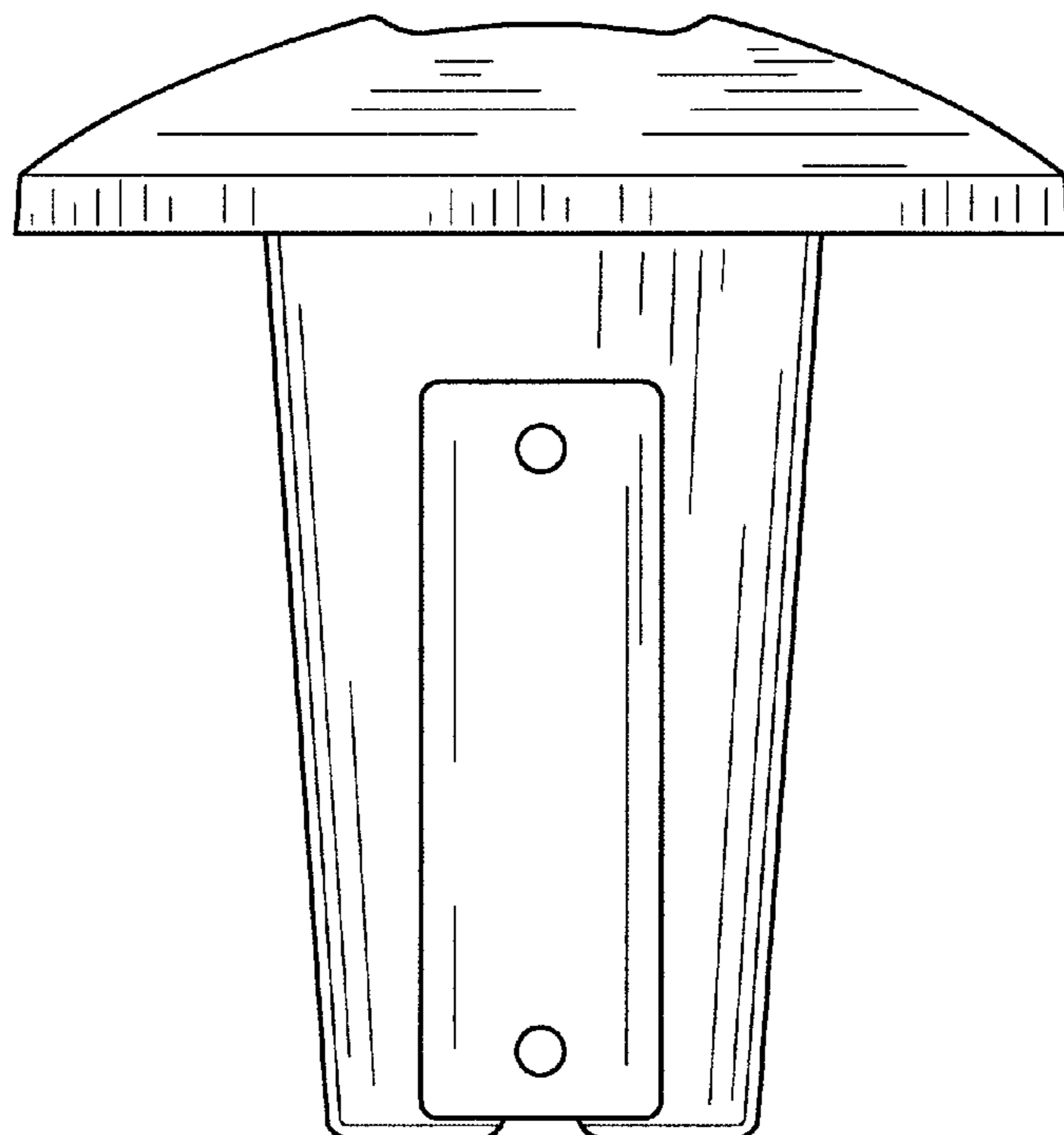


FIG. 4

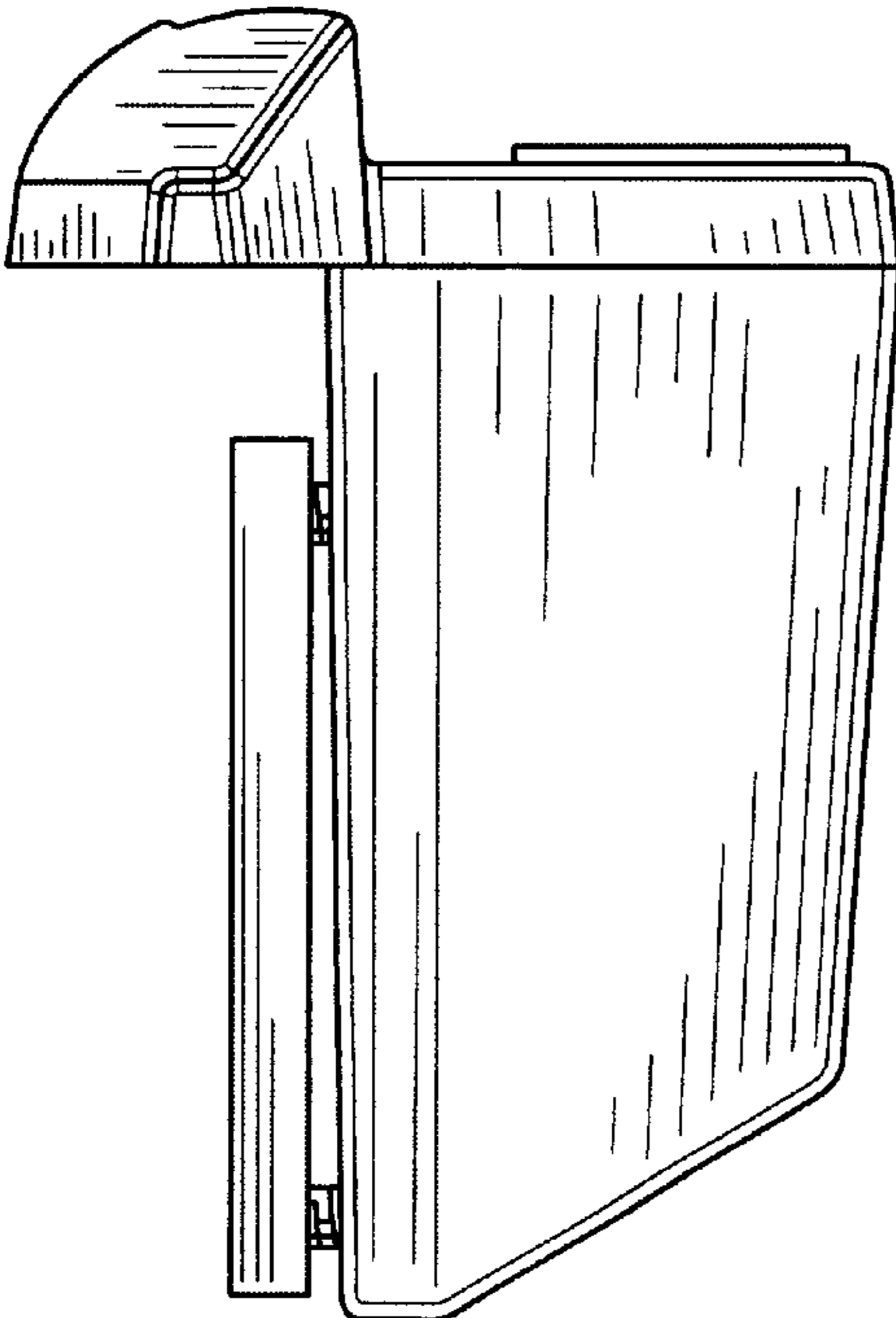


FIG. 5

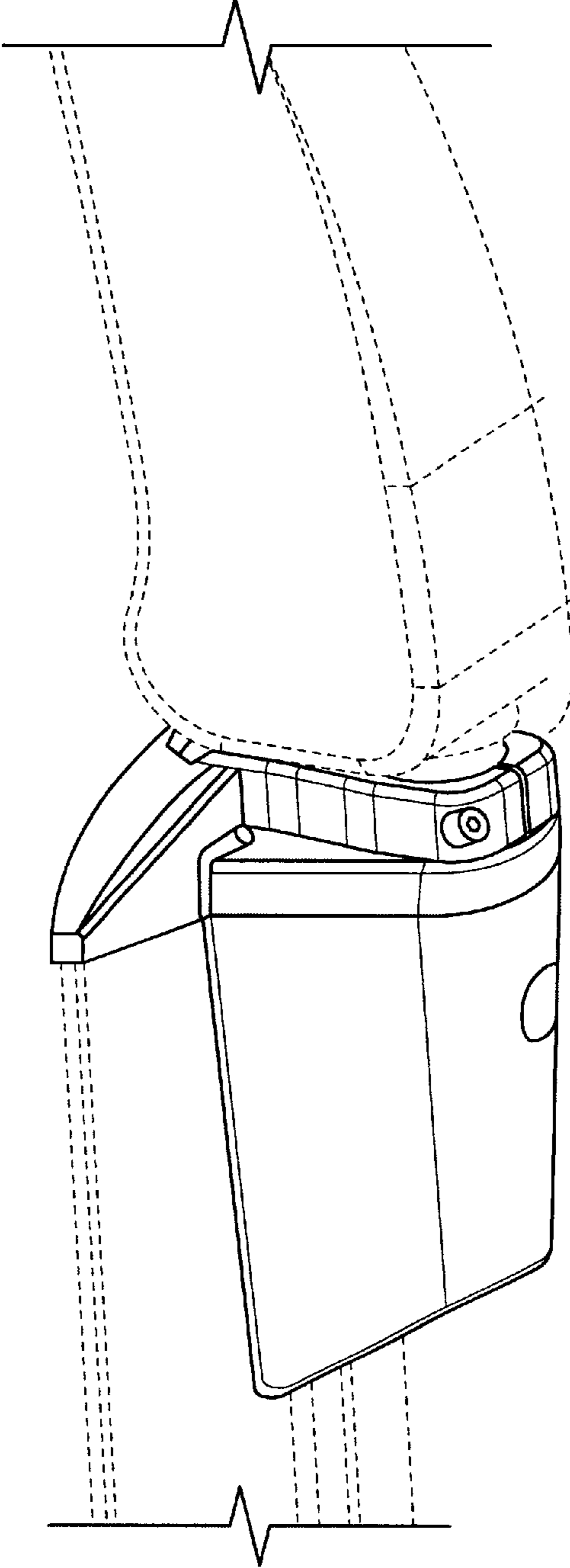


FIG. 6

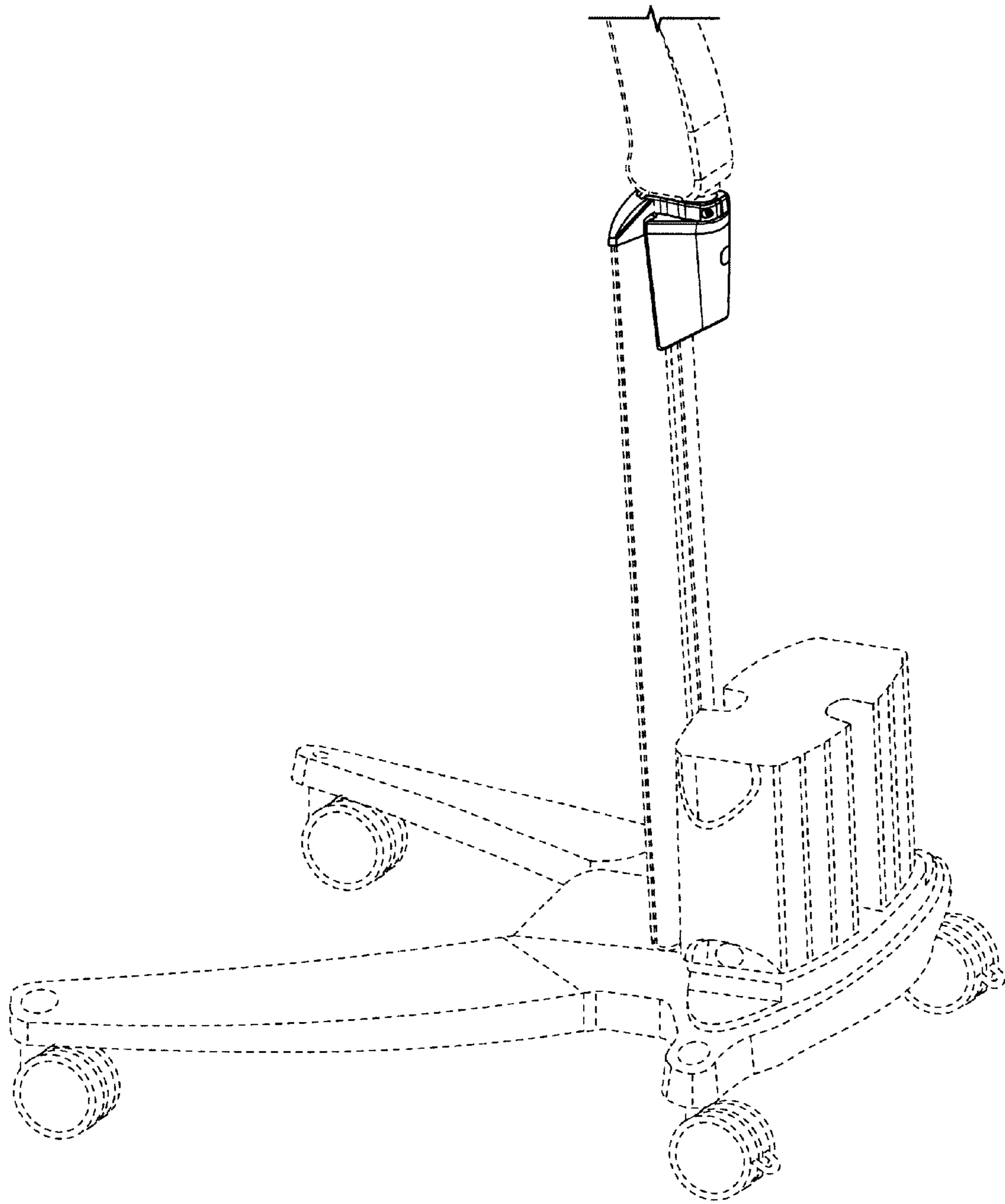


FIG. 7