

US00D502765S

(12) **United States Design Patent**  
**Bucher et al.**

(10) **Patent No.:** **US D502,765 S**  
(45) **Date of Patent:** **\*\* Mar. 8, 2005**

(54) **ONE-PIECE TOILET**

D439,960 S \* 4/2001 Jones ..... D23/295  
D454,943 S \* 3/2002 Chen ..... D23/301

(75) Inventors: **Christophe Bucher**, Hillsborough, NJ (US); **Gary Uhl**, Fair Haven, NJ (US)

\* cited by examiner

(73) Assignee: **American Standard International Inc.**, New York, NY (US)

*Primary Examiner*—Robert A. Delehanty

(\*\*) Term: **14 Years**

(57) **CLAIM**

The ornamental design for a one-piece toilet, as shown and described.

(21) Appl. No.: **29/199,097**

**DESCRIPTION**

(22) Filed: **Feb. 10, 2004**

(51) **LOC (7) Cl.** ..... **23-02**

(52) **U.S. Cl.** ..... **D23/301**

(58) **Field of Search** ..... D23/270–271,  
D23/273–274, 295, 299, 301, 303, 309;  
4/663–664, 300, 329, 420, 449, DIG. 15,  
443–446

FIG. 1 is a front perspective view of a preferred embodiment of a one-piece toilet showing our new design; FIG. 2 is a top view of the one-piece toilet of FIG. 1; FIG. 3 is a front view of the one-piece toilet of FIG. 1; FIG. 4 is a left side view of the one-piece toilet of FIG. 1; FIG. 5 is a right side view of the one-piece toilet of FIG. 1; FIG. 6 is a rear view of the one-piece toilet of FIG. 1; and, FIG. 7 is a bottom view of the one-piece toilet of FIG. 1. The broken lines showing of a handle, hinges, bolt covers and portions of the bottom surface are for illustrative purposes only and forms no part of the claimed design.

(56) **References Cited**

**U.S. PATENT DOCUMENTS**

D399,294 S \* 10/1998 Kawamura et al. .... D23/301

**1 Claim, 7 Drawing Sheets**

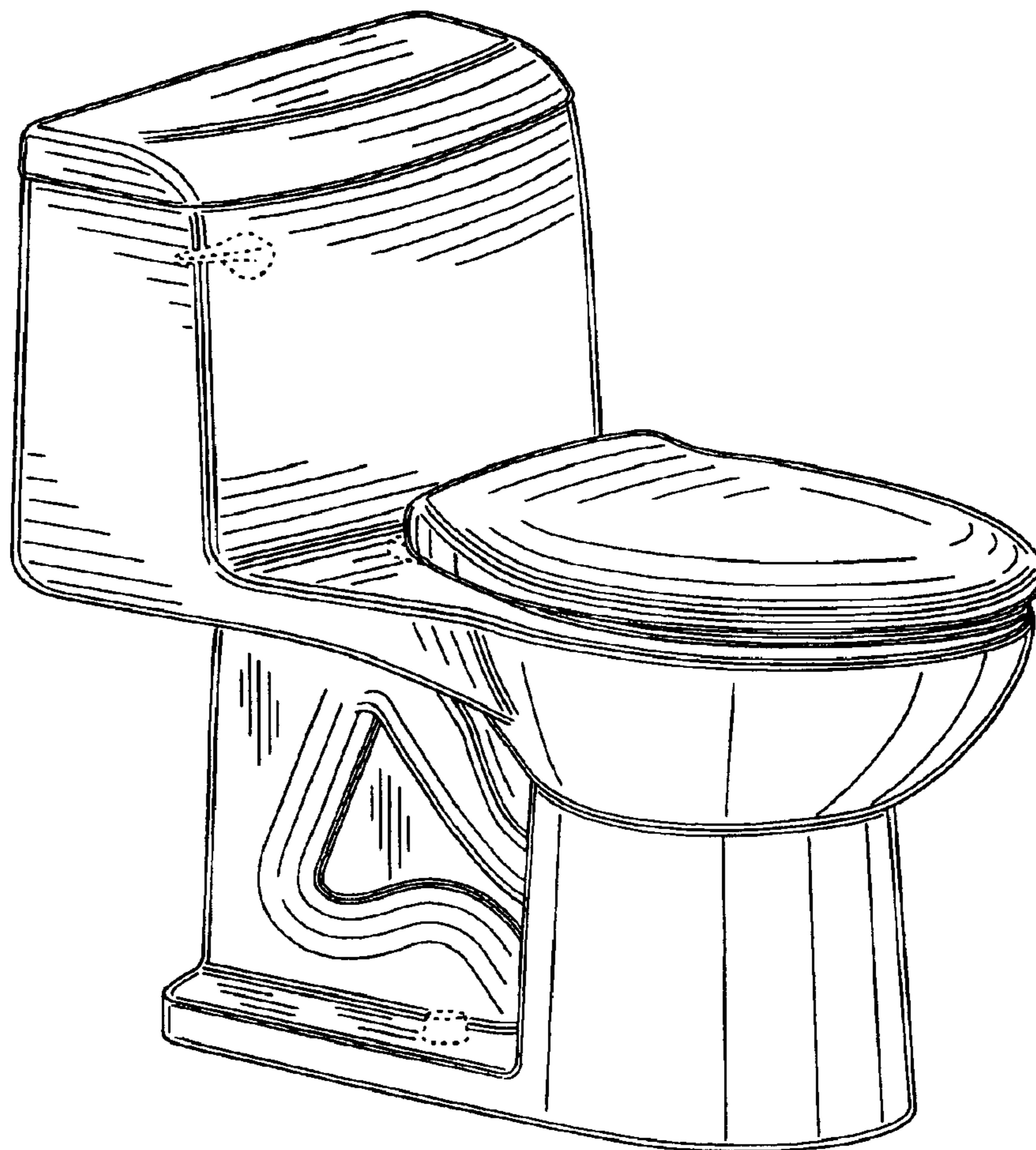


FIG. 1

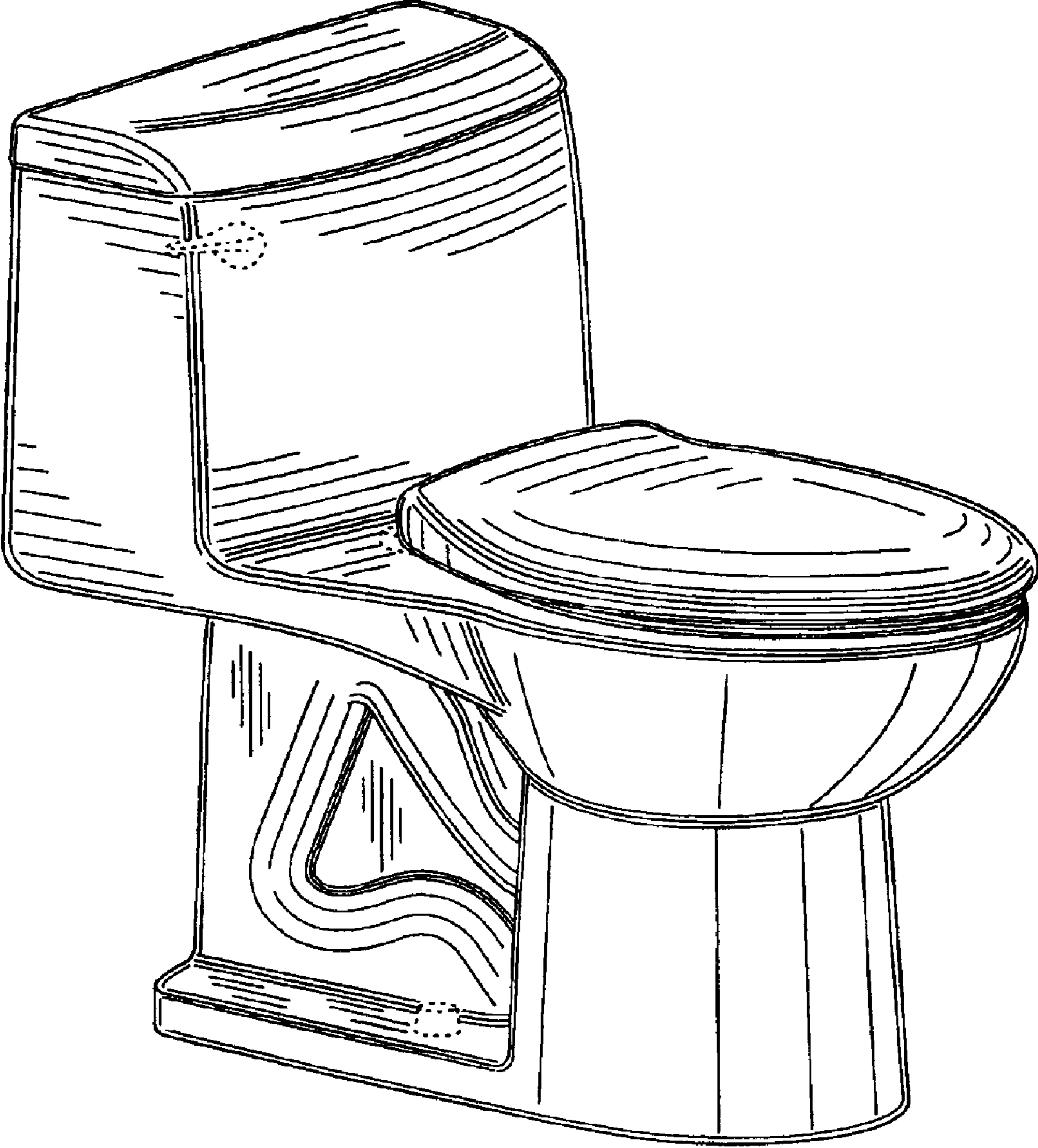


FIG. 2

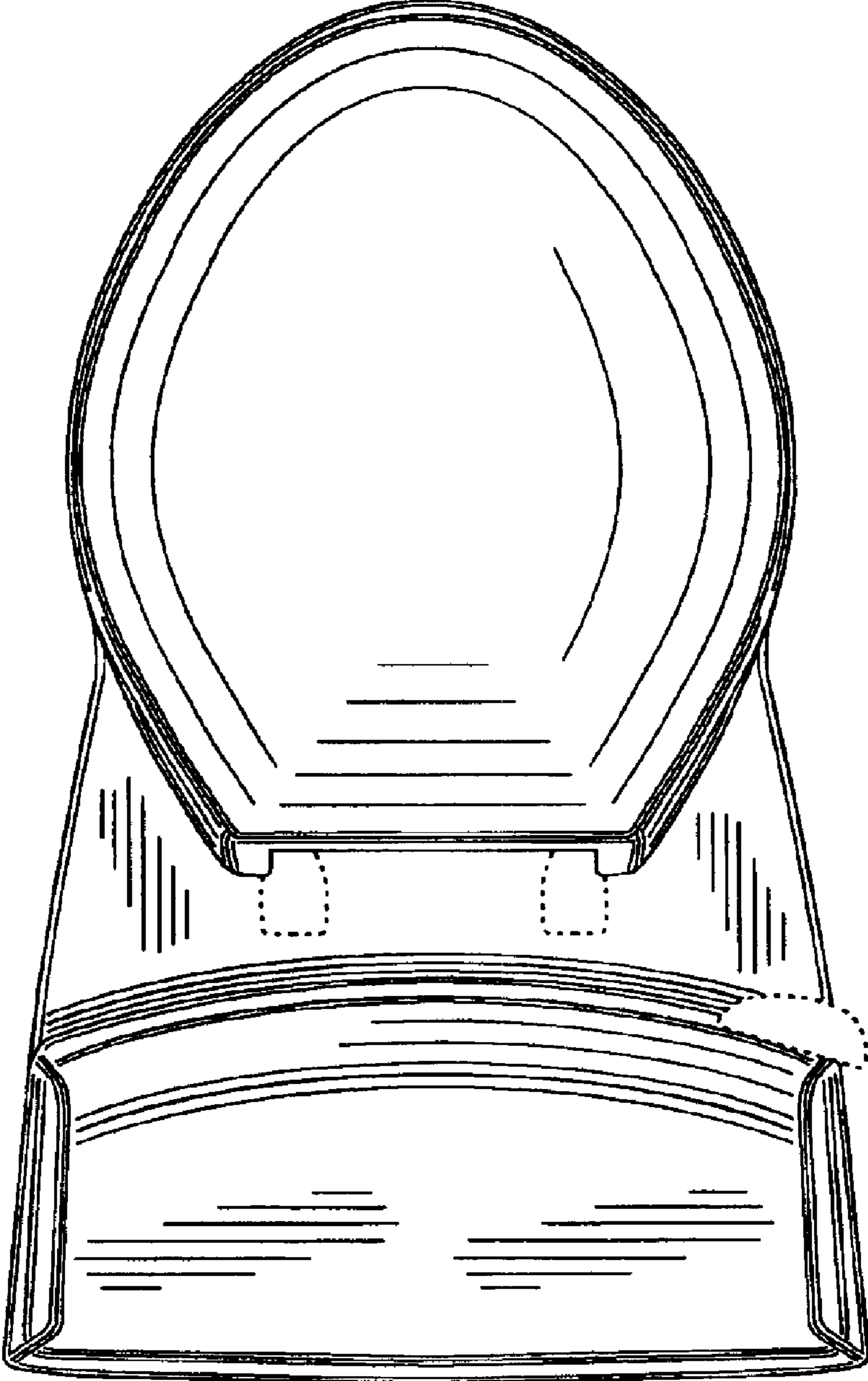


FIG. 3

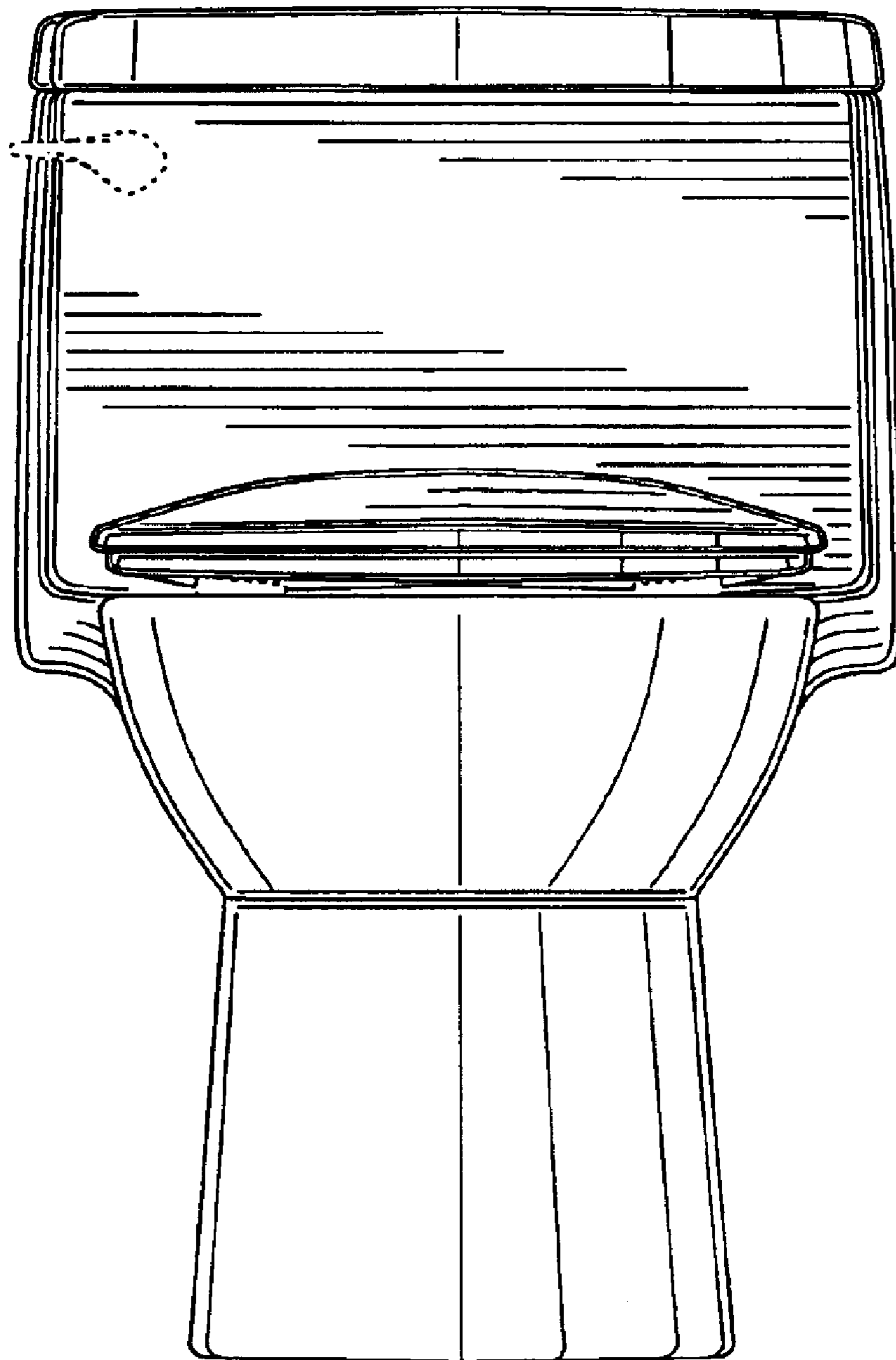


FIG. 4

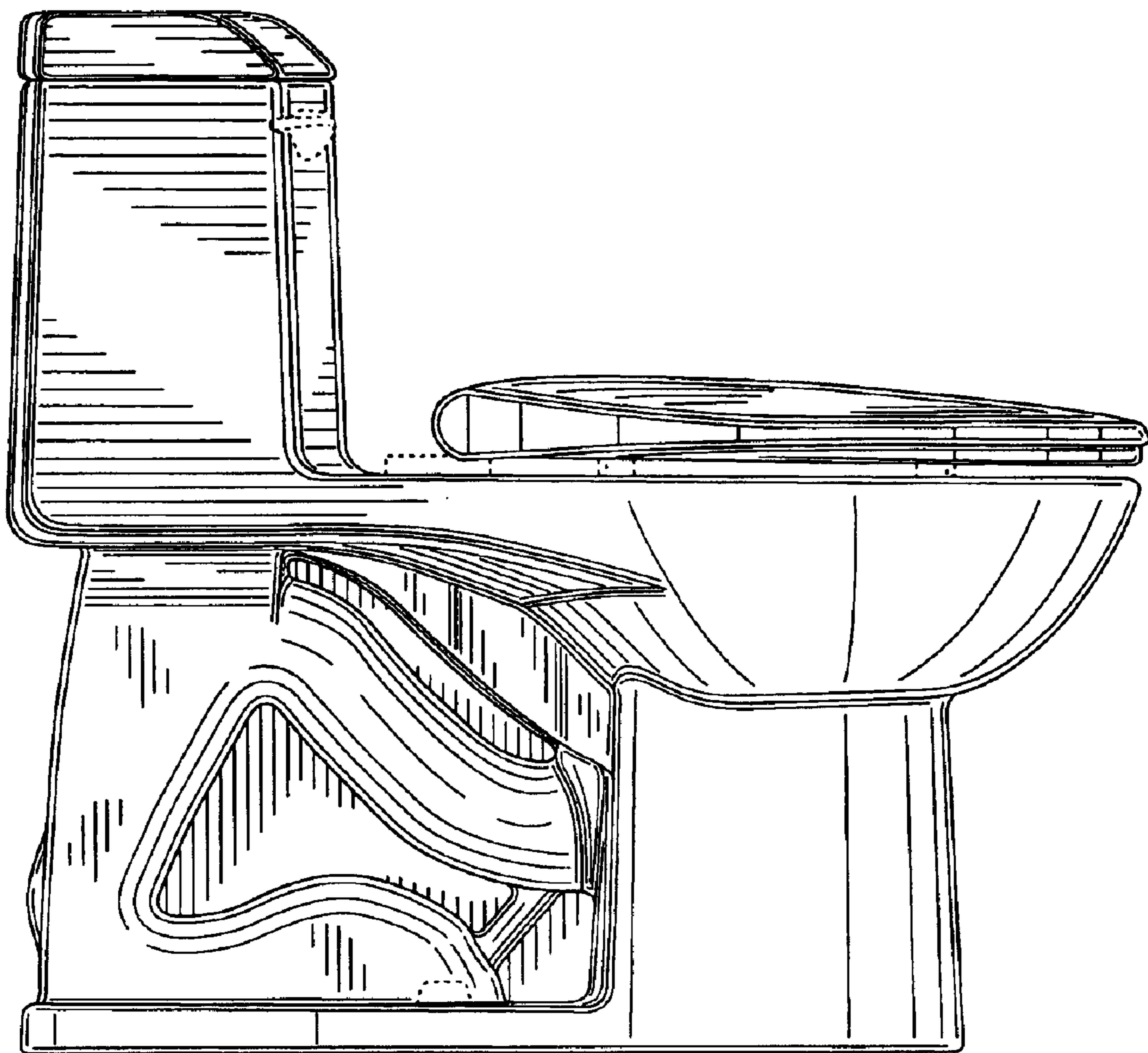


FIG. 5

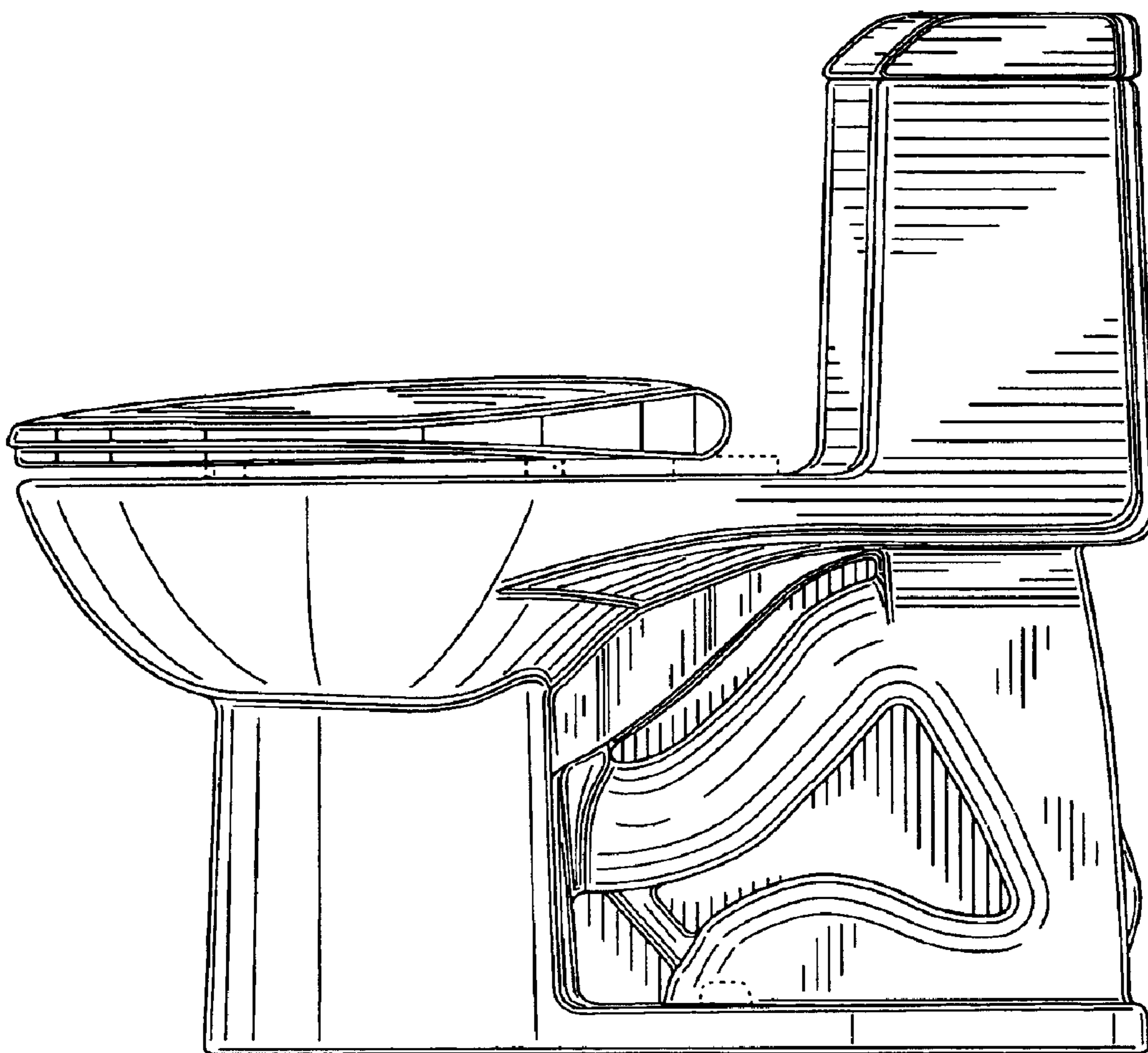


FIG. 6

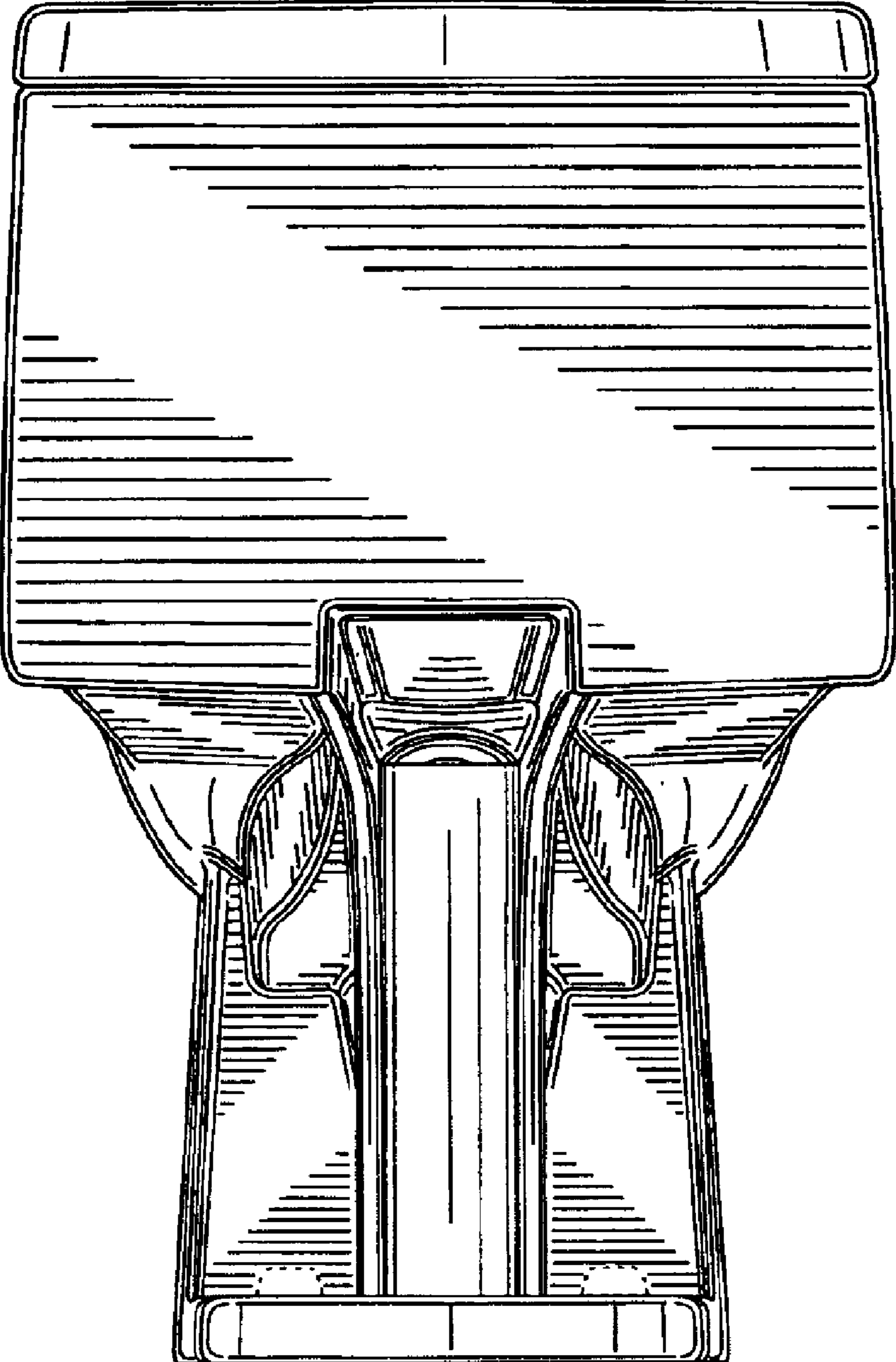


FIG. 7

