



US00D502764S

(12) **United States Design Patent**
Bayer et al.

(10) **Patent No.: US D502,764 S**
(45) **Date of Patent: ** Mar. 8, 2005**

(54) **SINK**

D473,292 S 4/2003 Paredes D23/290
D478,970 S 8/2003 Ziemann et al. D23/290

(75) Inventors: **Michelle E. Bayer**, Plymouth, WI (US); **Christopher M. De Cleene**, Sheboygan, WI (US)

OTHER PUBLICATIONS

2000 Kohler catalog ad, p. 16.47, showing a “Marcato” sink.
2000 Kohler catalog ad, p. 16.59, showing a “Ravinia” sink.
Undated Acriform catalog ad showing an “Advantage 2000” sink.

(73) Assignee: **Kohler Co.**, Kohler, WI (US)

Primary Examiner—Robert A. Delehanty

(**) Term: **14 Years**

(74) *Attorney, Agent, or Firm*—Quarles & Brady LLP

(21) Appl. No.: **29/206,117**

(57) **CLAIM**

(22) Filed: **May 26, 2004**

The ornamental design for a sink, as shown and described.

Related U.S. Application Data

DESCRIPTION

(62) Division of application No. 29/174,551, filed on Jan. 20, 2003.

In a preferred embodiment, the nature of this product is as a plumbing fixture primarily useful for washing various objects.

(51) **LOC (7) Cl.** **23-02**

(52) **U.S. Cl.** **D23/290**

(58) **Field of Search** D23/270–271,
D23/273, 284–285, 290–292, 293.1, 303,
308; 4/664–665, 619, 522, 623–624, 639–642,
650–651, 660–661

FIG. 1 is a left, top, front perspective view of a sink embodying our new design;

FIG. 2 is a top plan view thereof;

FIG. 3 is a front elevational view thereof, the rear elevational view being identical to the front elevational view shown;

FIG. 4 is a left side elevational view thereof, the right side elevational view being identical to the left side shown; and,

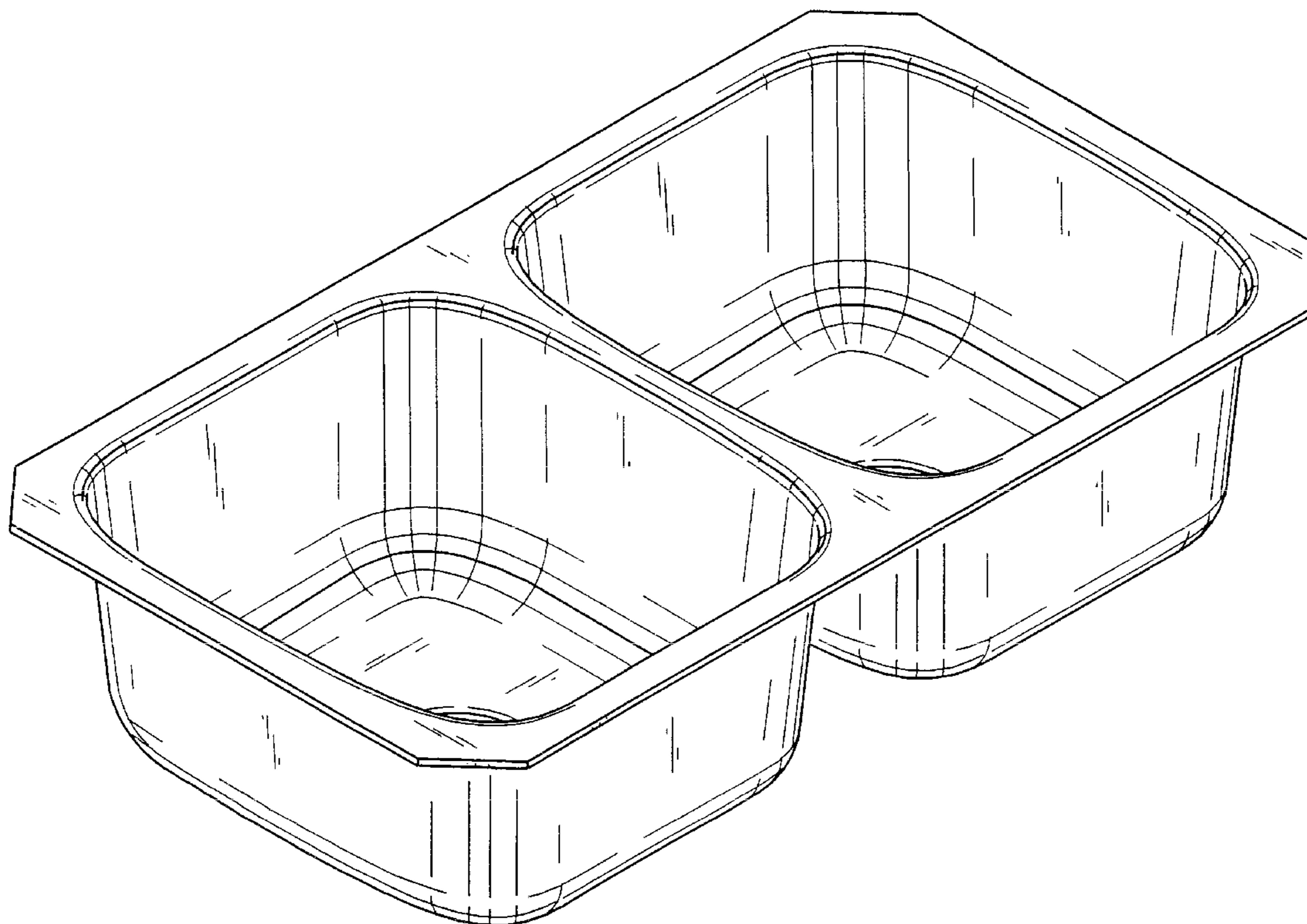
FIG. 5 is a bottom plan view thereof.

(56) **References Cited**

U.S. PATENT DOCUMENTS

D447,546 S 9/2001 McKeone D23/293.1

1 Claim, 3 Drawing Sheets



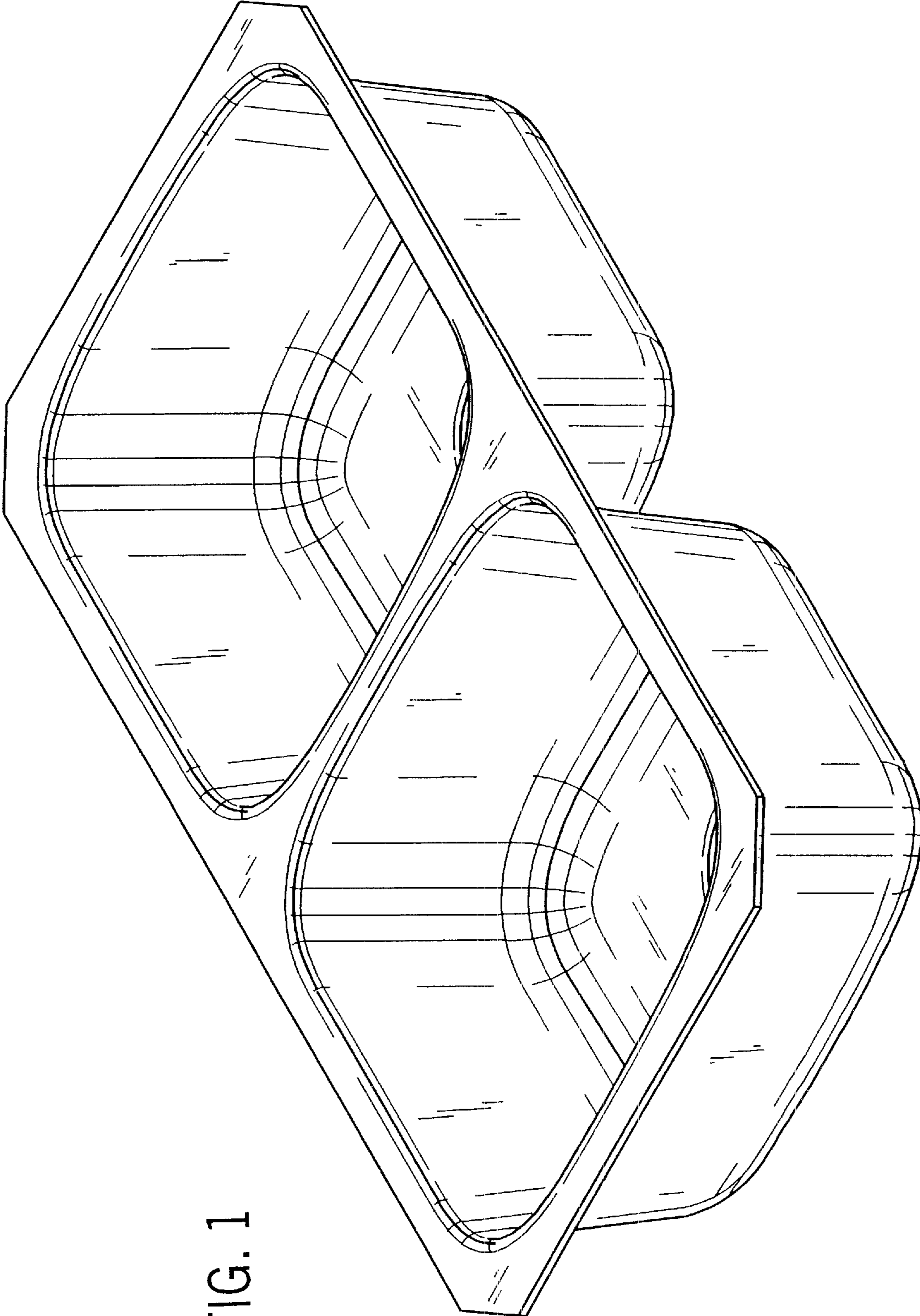


FIG. 1

FIG. 2

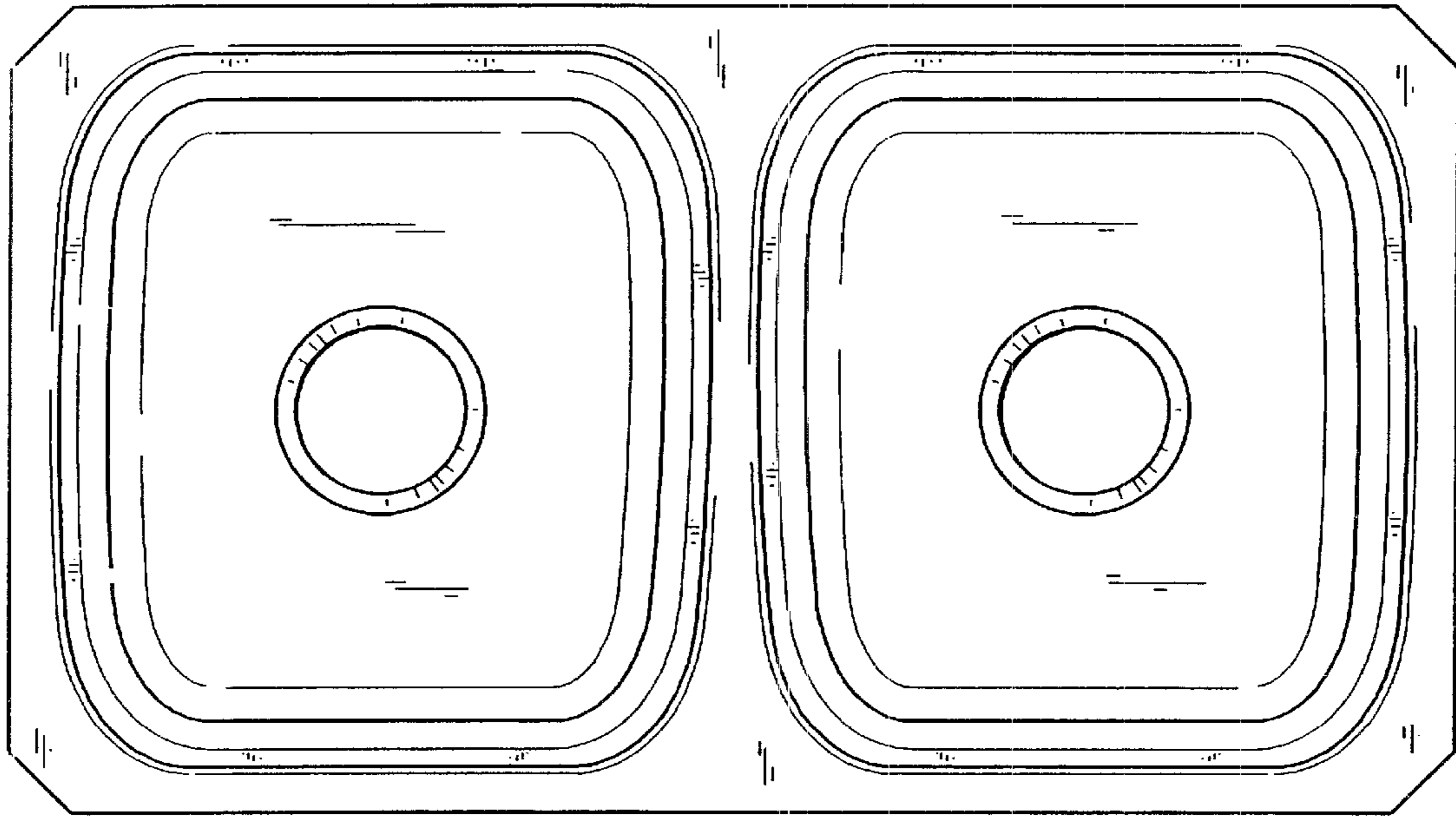


FIG. 3

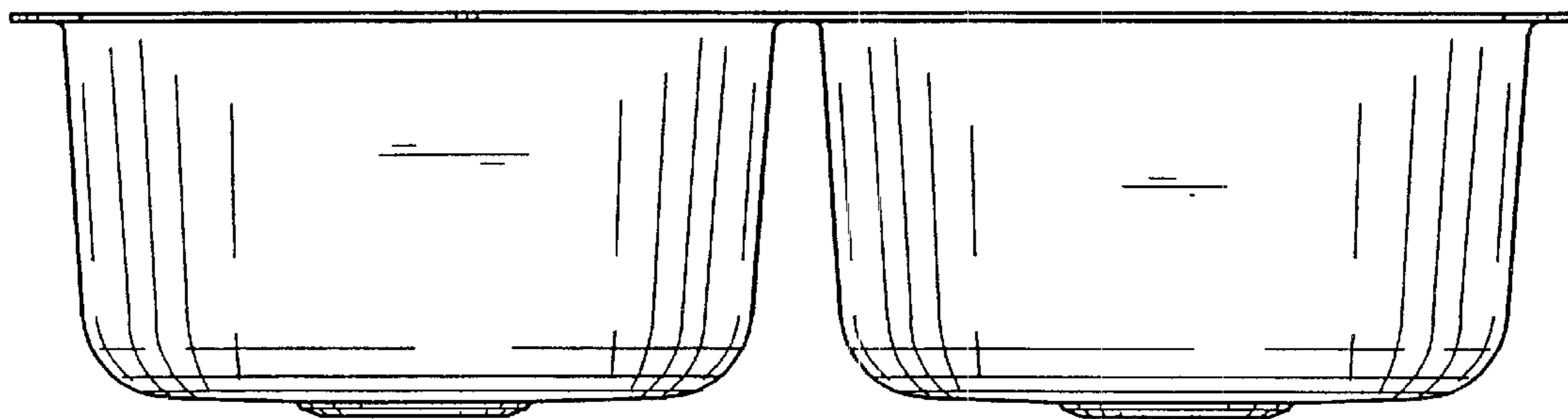


FIG. 4

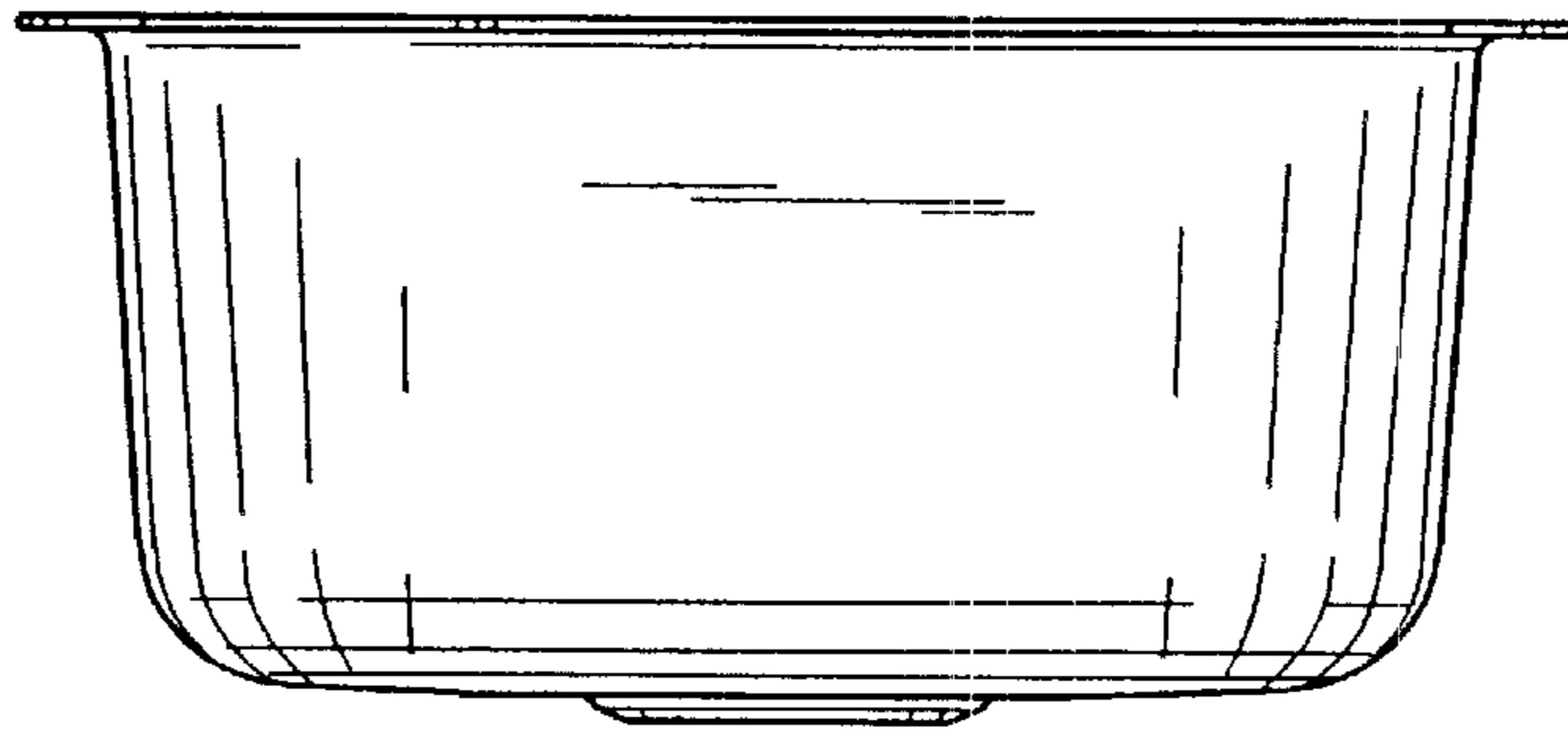


FIG. 5

