



US00D502762S

(12) **United States Design Patent**
Kriegshauser

(10) **Patent No.:** **US D502,762 S**
(45) **Date of Patent:** **** Mar. 8, 2005**

(54) **MULTIPLE OUTLET VALVE FOR MEASURED GAUGED FLOW**

(76) **Inventor:** **Duane D. Kriegshauser**, P.O. Box 925, Colby, KS (US) 67701

(**) **Term:** **14 Years**

(21) **Appl. No.:** **29/199,676**

(22) **Filed:** **Feb. 18, 2004**

(51) **LOC (7) Cl.** **23-01**

(52) **U.S. Cl.** **D23/233**

(58) **Field of Search** D23/233-237,
D23/244-249; 137/15, 540, 556, 561, 608-609,
615.48, 636.1, 626, 629, 861, 883, 614,
847; 210/234, 412

(56) **References Cited**

U.S. PATENT DOCUMENTS

D180,010 S	4/1957	Britton	
3,240,230 A	* 3/1966	Callahan, Jr. et al. 137/886
3,384,337 A	* 5/1968	Brown 251/172
D276,837 S	12/1984	Evans	
D287,044 S	12/1986	Hughes	
4,685,156 A	* 8/1987	Brabazon 4/676
4,865,078 A	9/1989	Ensign	
D319,868 S	* 9/1991	Robinson D23/246
5,218,995 A	6/1993	Lee	

D337,633 S	7/1993	Drager	
D352,348 S	11/1994	Niedwick	
5,996,603 A	12/1999	Dupler	
D442,260 S	5/2001	Marzec	
6,311,727 B1	11/2001	Campau	
6,345,645 B1	2/2002	Kenna	
D466,189 S	11/2002	McNerney	
D466,190 S	* 11/2002	Chan et al. D23/233
D476,718 S	* 7/2003	Ferrer Beltran D23/209
D479,307 S	* 9/2003	Ferrer Beltran D23/233

* cited by examiner

Primary Examiner—Nelson C. Holtje

(74) *Attorney, Agent, or Firm*—Randal D. Homburg

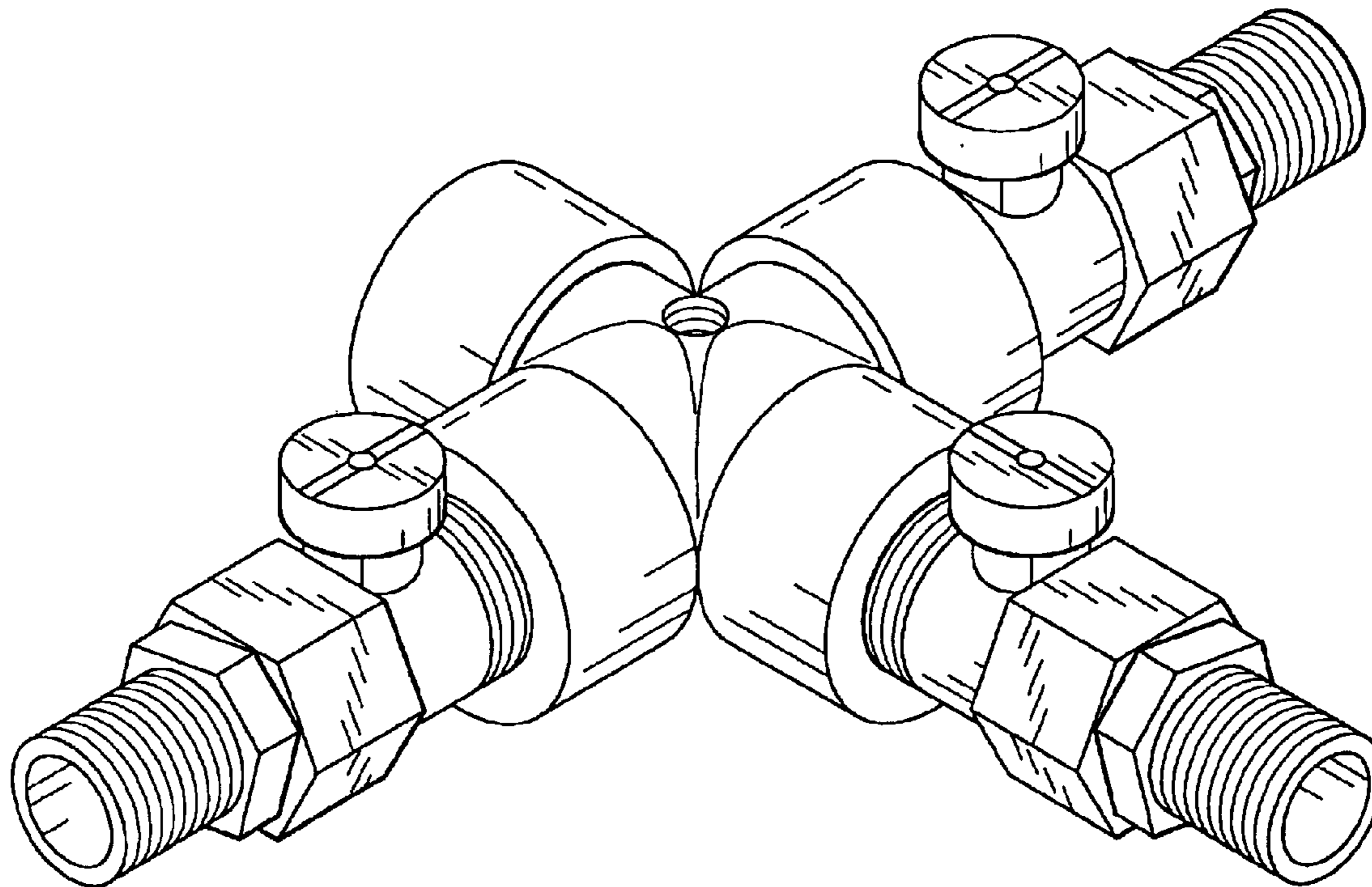
(57) **CLAIM**

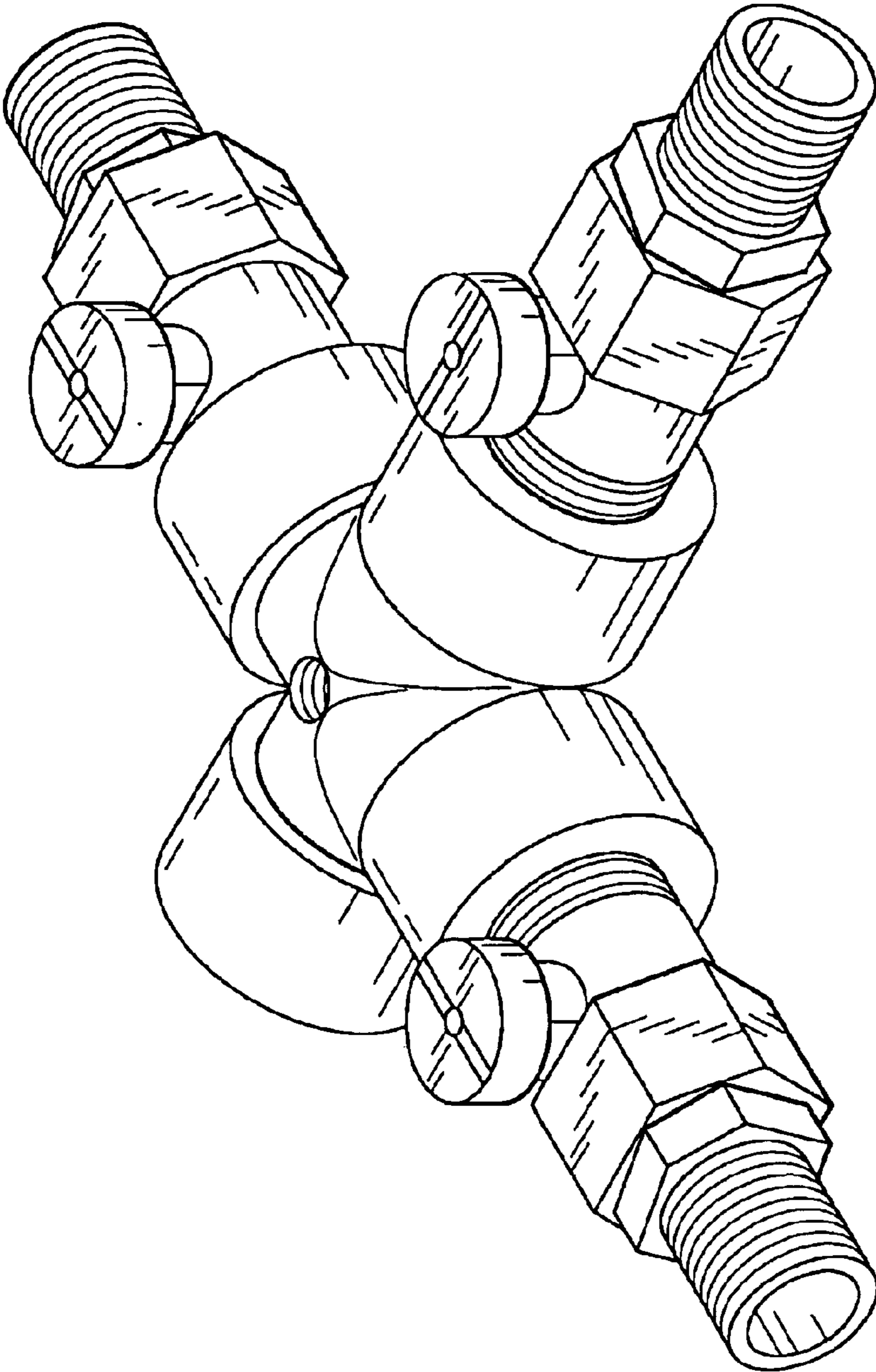
The ornamental design for a multiple outlet valve for measured gauged flow, as shown and described.

DESCRIPTION

FIG. 1 is an upper perspective view of the valve.
FIG. 2 is a front view of the valve.
FIG. 3 is a rear view of the valve.
FIG. 4 is a right end view of the valve.
FIG. 5 is a left end view of the valve.
FIG. 6 is a top view of the valve; and,
FIG. 7 is a bottom view of the valve.

1 Claim, 3 Drawing Sheets





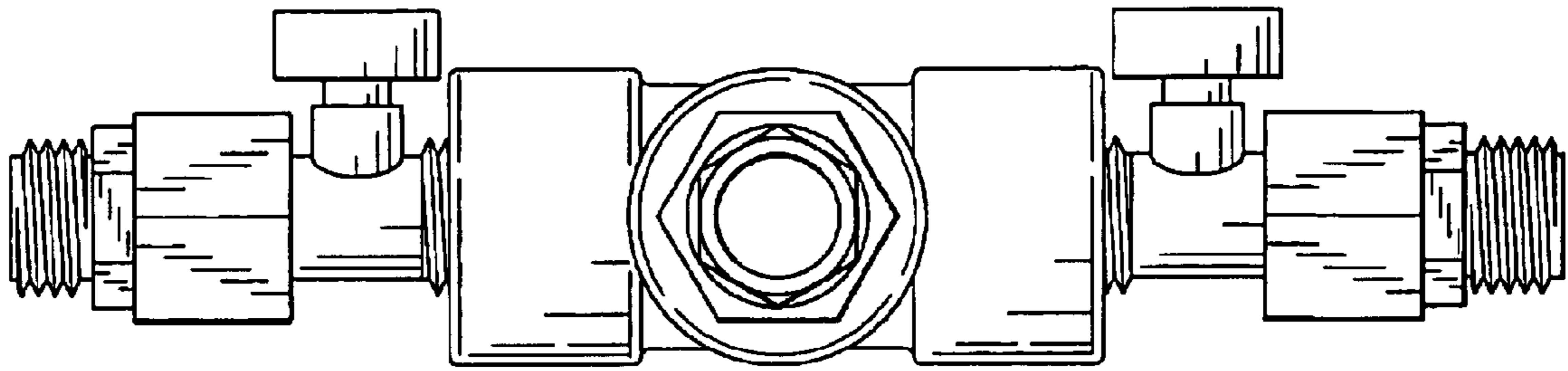


FIG. 1

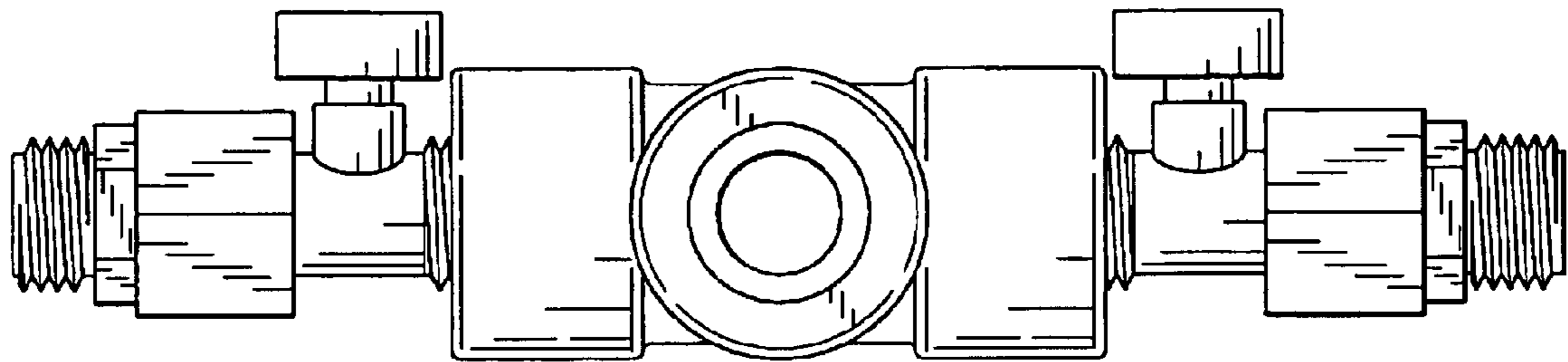


FIG. 2

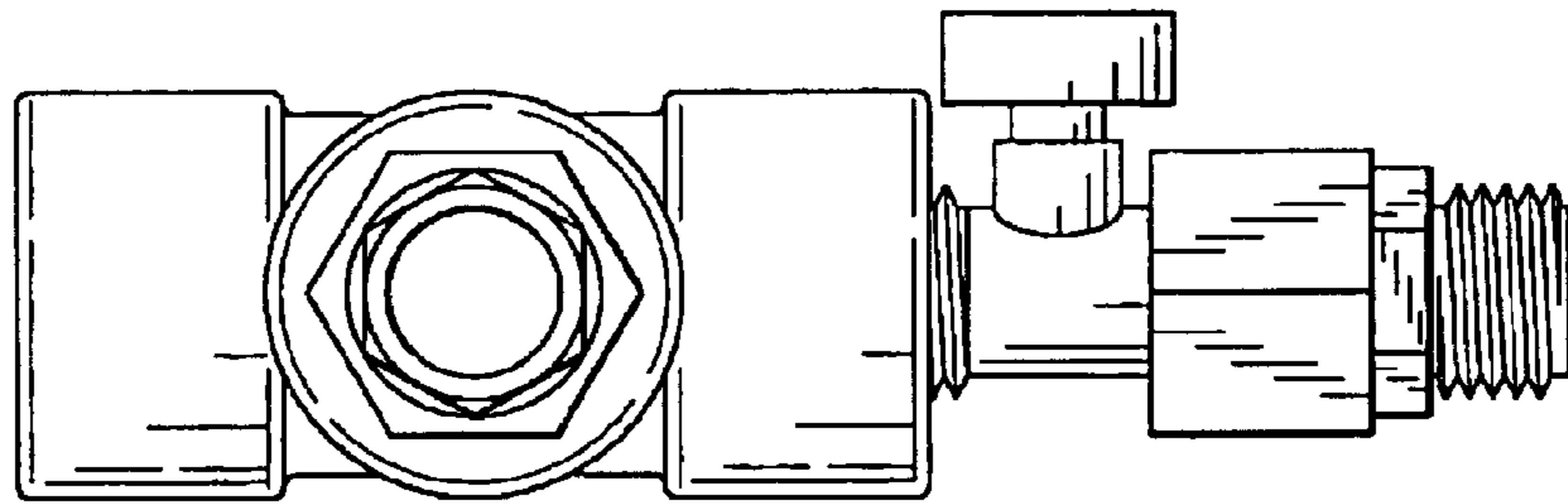


FIG. 3

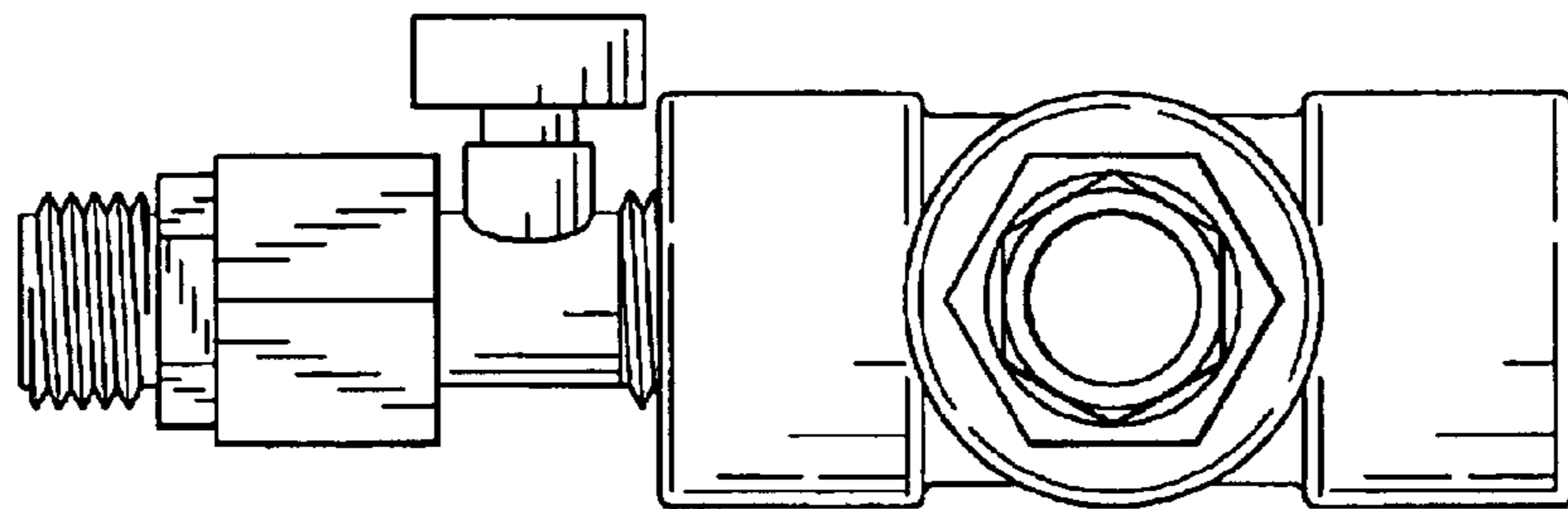


FIG. 4

