

US00D502761S

(12) **United States Design Patent**
Zieger et al.

(10) **Patent No.: US D502,761 S**
(45) **Date of Patent: ** Mar. 8, 2005**

(54) **SHOWER WITH ARM**

(75) Inventors: **Claus D. Zieger**, City of Industry, CA (US); **Christopher Glupker**, Van Nuys, CA (US); **Lance Hussey**, Simi Valley, CA (US); **Ravi Sawhney**, Calabasas, CA (US)

(73) Assignee: **Interbath, Inc.**, City of Industry, CA (US)

(**) Term: **14 Years**

(21) Appl. No.: **29/181,856**

(22) Filed: **May 17, 2003**

(51) **LOC (7) Cl. 23-01**

(52) **U.S. Cl. D23/229**

(58) **Field of Search** D23/213, 229, D23/230; 4/615; 239/282, 283, 587.1

(56) **References Cited**

U.S. PATENT DOCUMENTS

D325,769 S	*	4/1992	Haug et al.	D23/213
D413,157 S	*	8/1999	Ratzlaff	D23/229
D465,553 S	*	11/2002	Singtoroj	D23/229
D470,219 S	*	2/2003	Schweitzer	D23/223

* cited by examiner

Primary Examiner—Robin V. Taylor

(74) *Attorney, Agent, or Firm*—Foley & Lardner LLP

(57) **CLAIM**

The ornamental design for a shower with arm, as shown and described.

DESCRIPTION

FIG. 1 is a perspective view of a shower with arm showing our new design, according to an embodiment of the present invention;

FIG. 2 is a top plan view thereof, according to an embodiment of the present invention;

FIG. 3 is a front elevation view thereof, according to an embodiment of the present invention;

FIG. 4 is a rear elevation view thereof, according to an embodiment of the present invention;

FIG. 5 is a bottom plan view thereof, according to an embodiment of the present invention;

FIG. 6 is a first side elevation view thereof, according to an embodiment of the present invention;

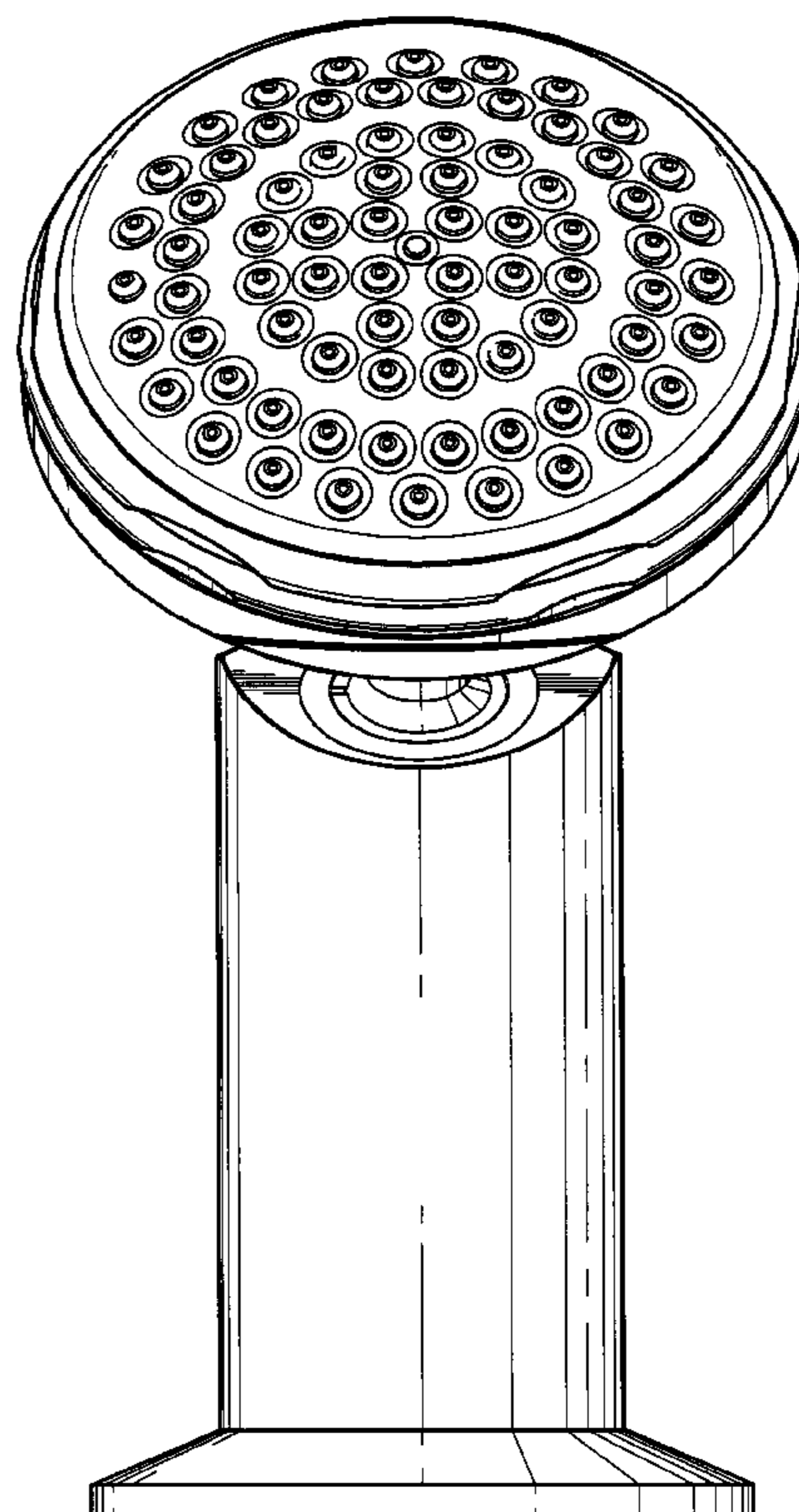
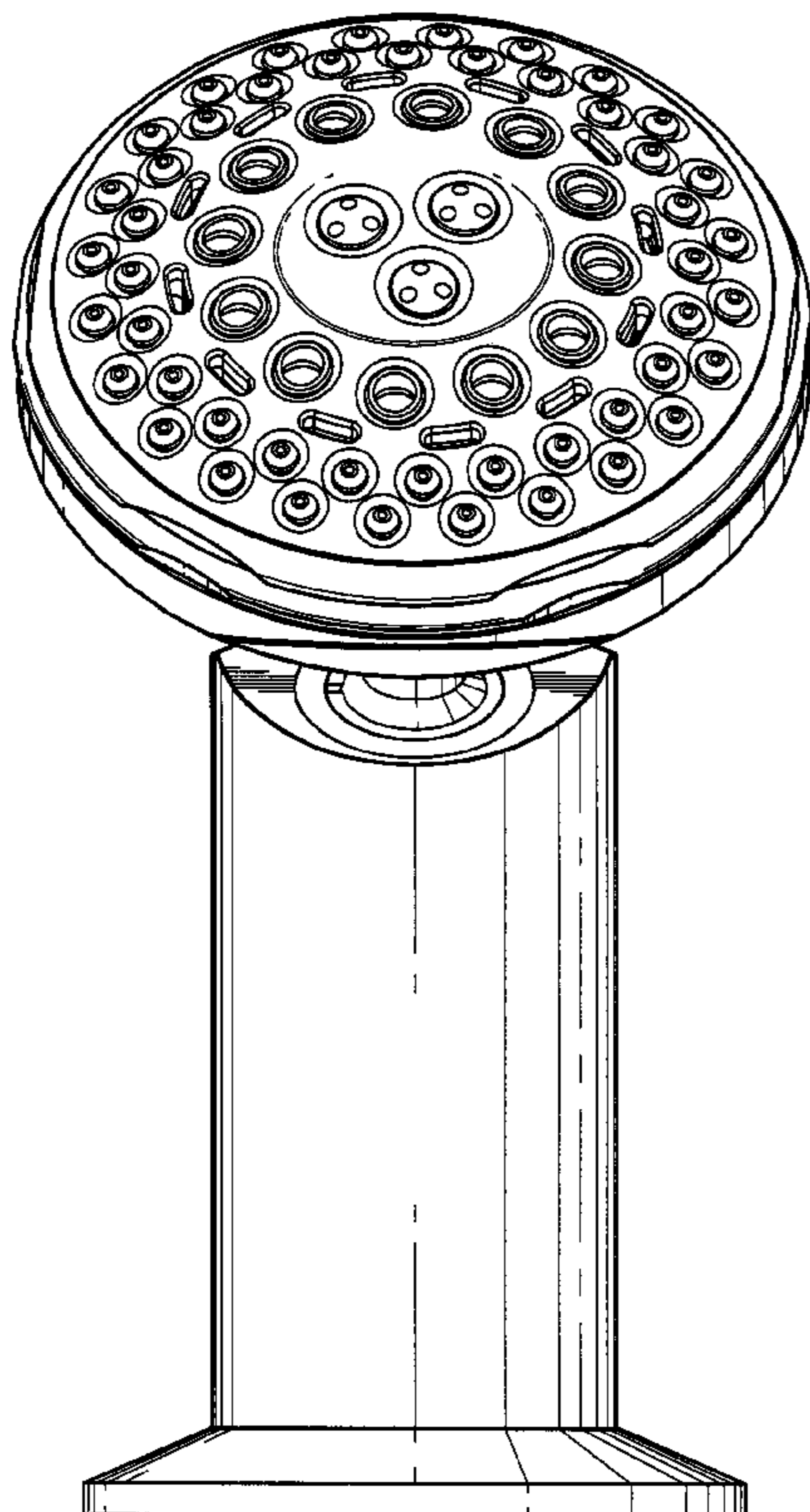
FIG. 7 is a second side elevation view thereof, according to an embodiment of the present invention;

FIG. 8 is a perspective view thereof, according to another embodiment of the present invention.

FIG. 9 is a top plan view thereof, according to another embodiment of the present invention; and,

FIG. 10 is a front elevation view thereof, according to another embodiment of the present invention.

1 Claim, 10 Drawing Sheets



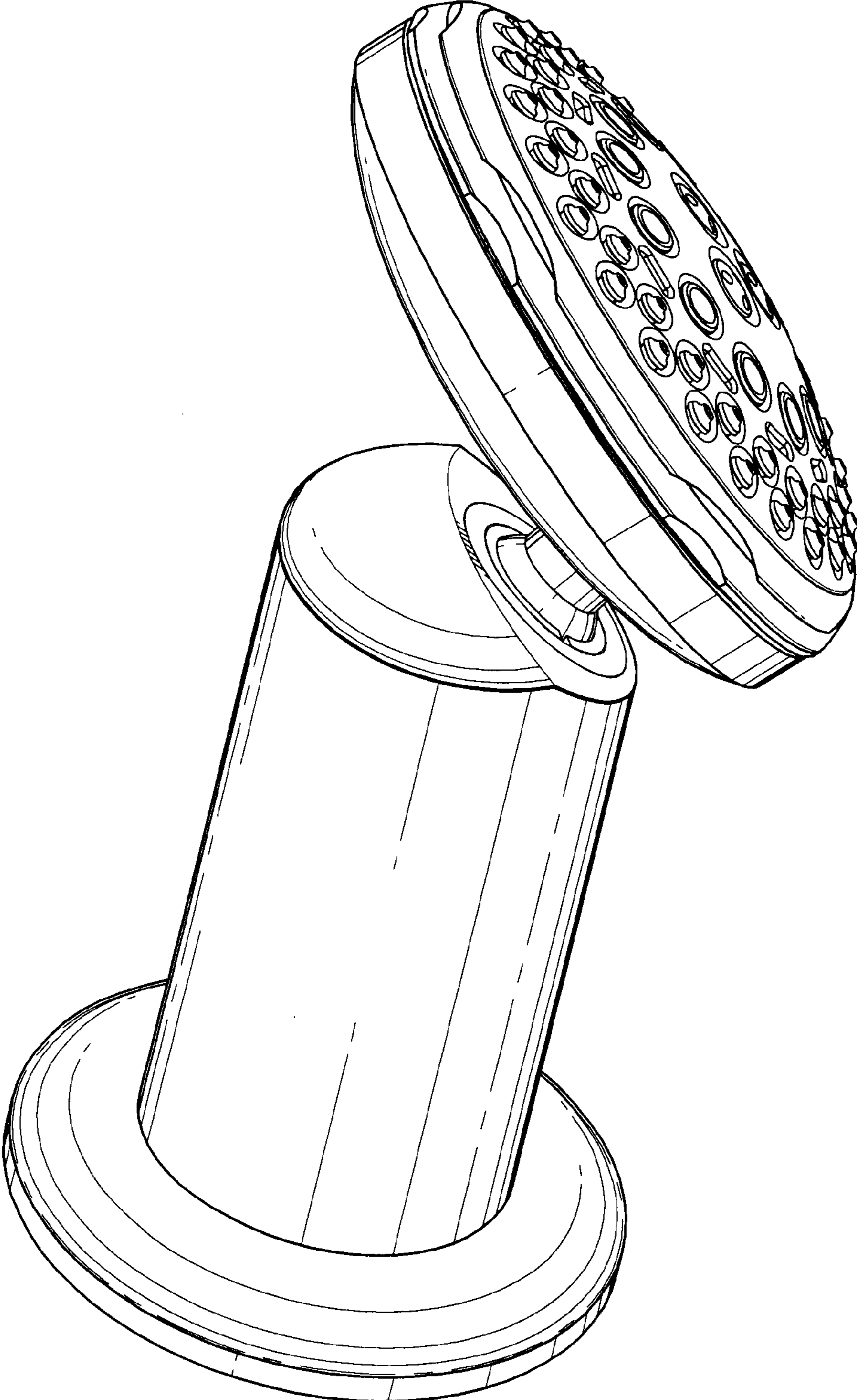


FIGURE 1

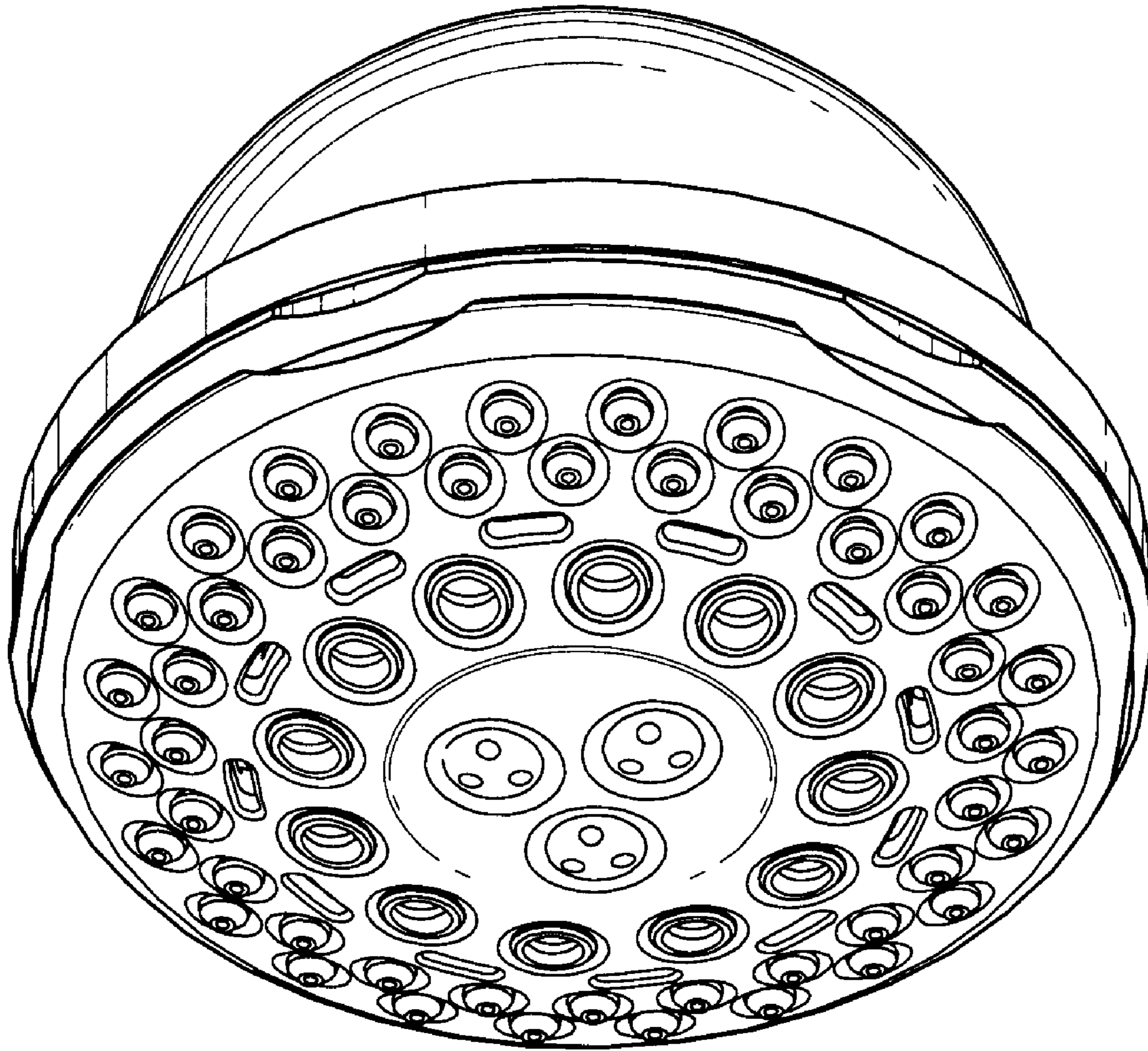


FIGURE 2

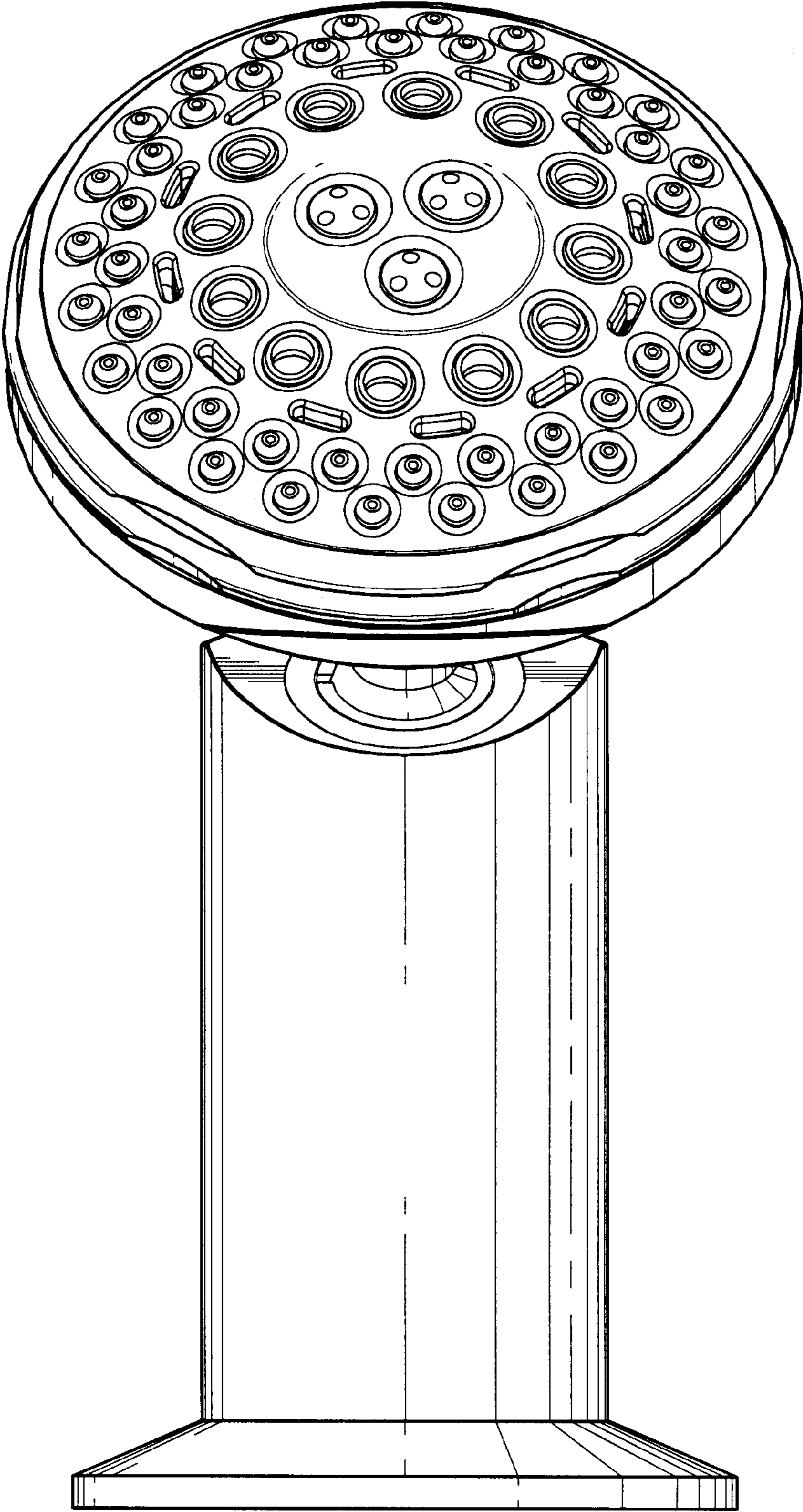


FIGURE 3

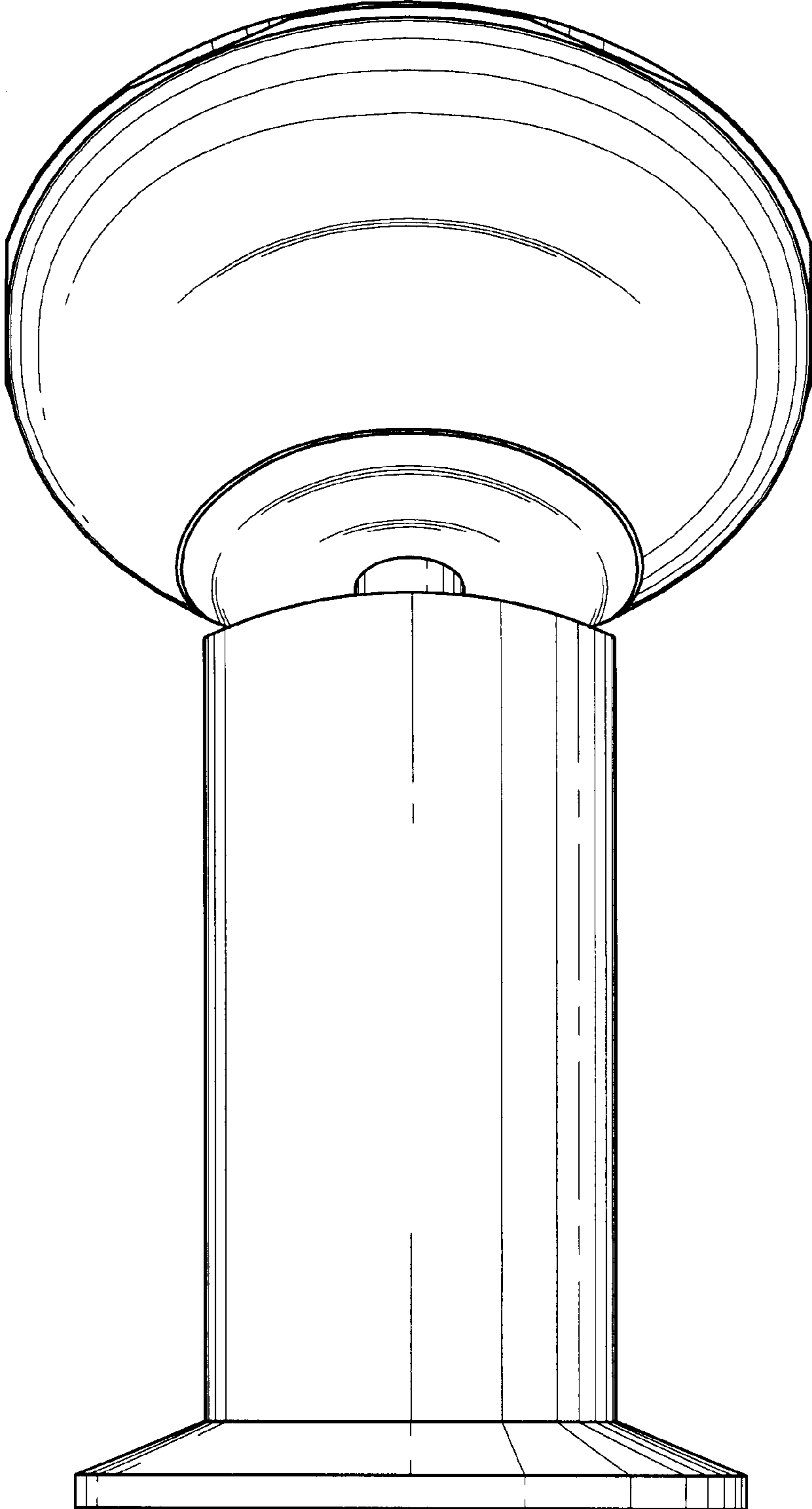


FIGURE 4

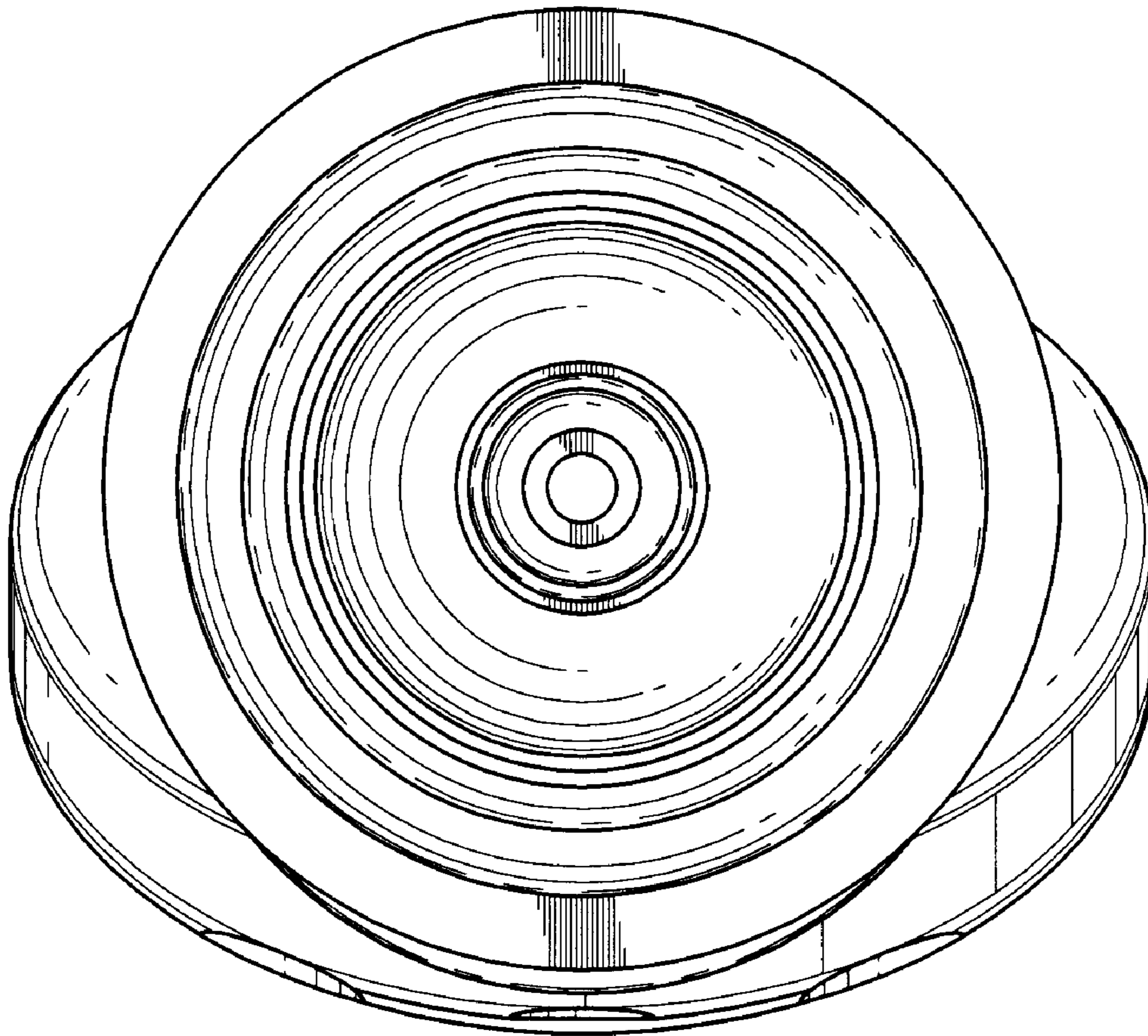


FIGURE 5

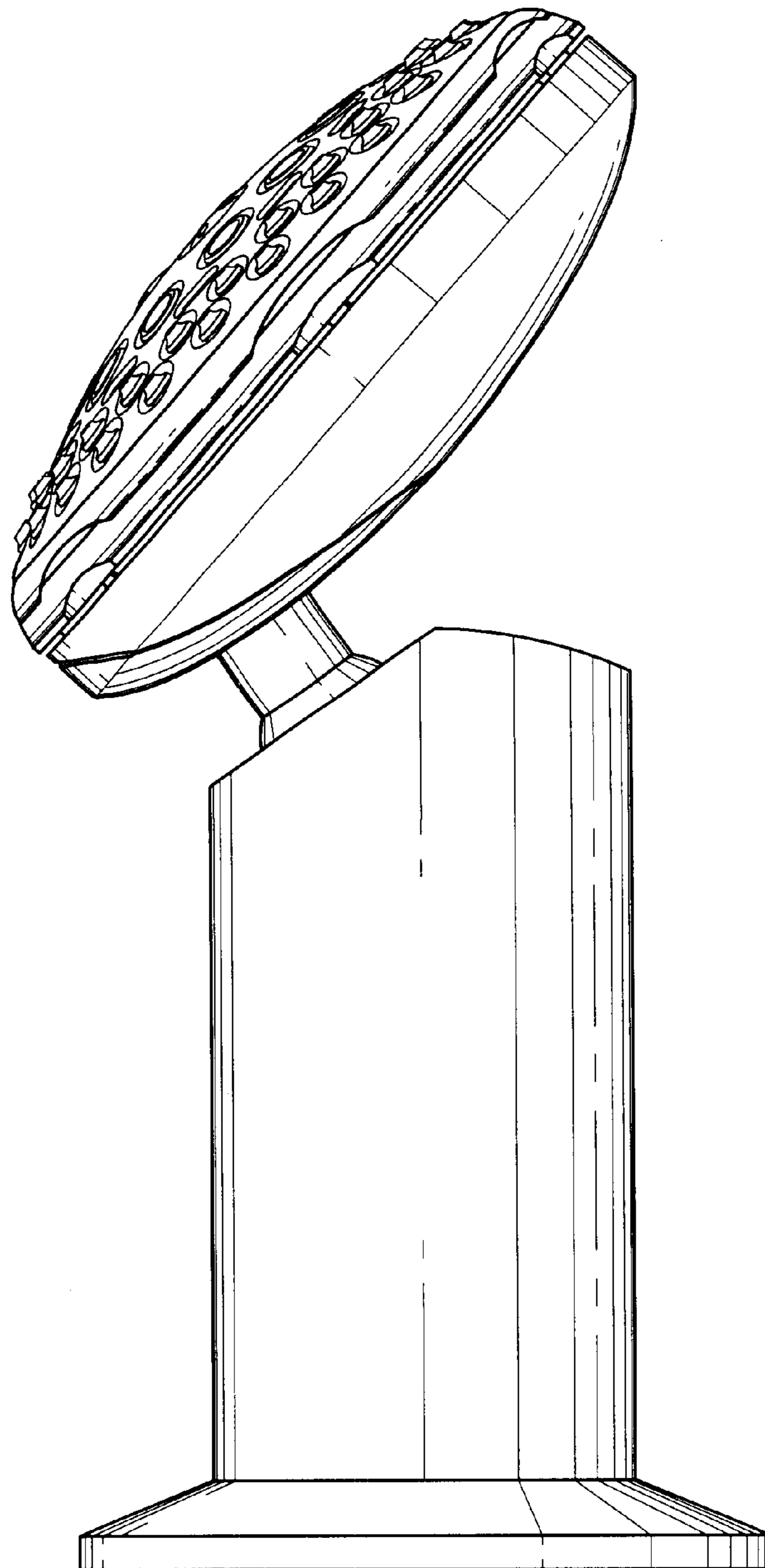


FIGURE 6

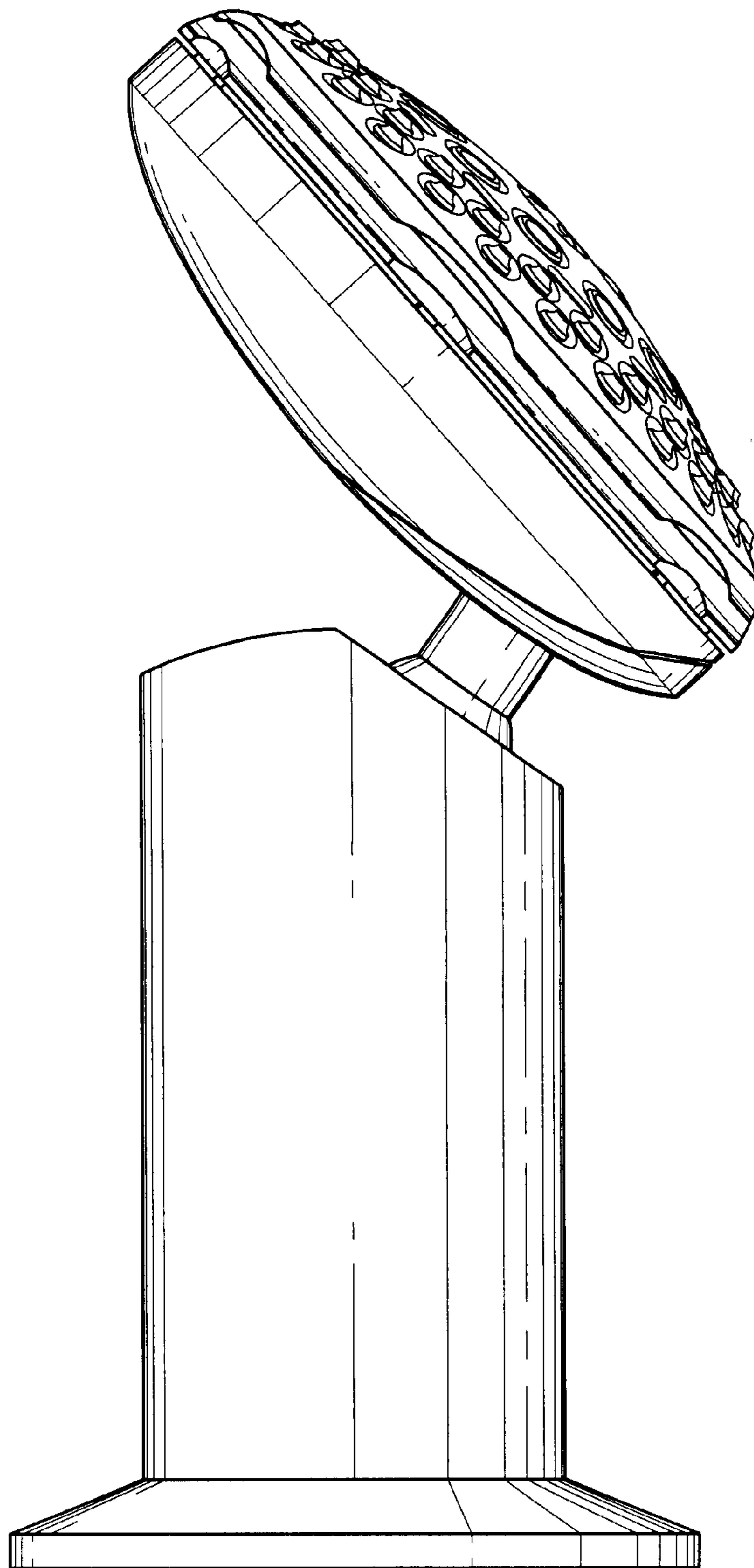


FIGURE 7

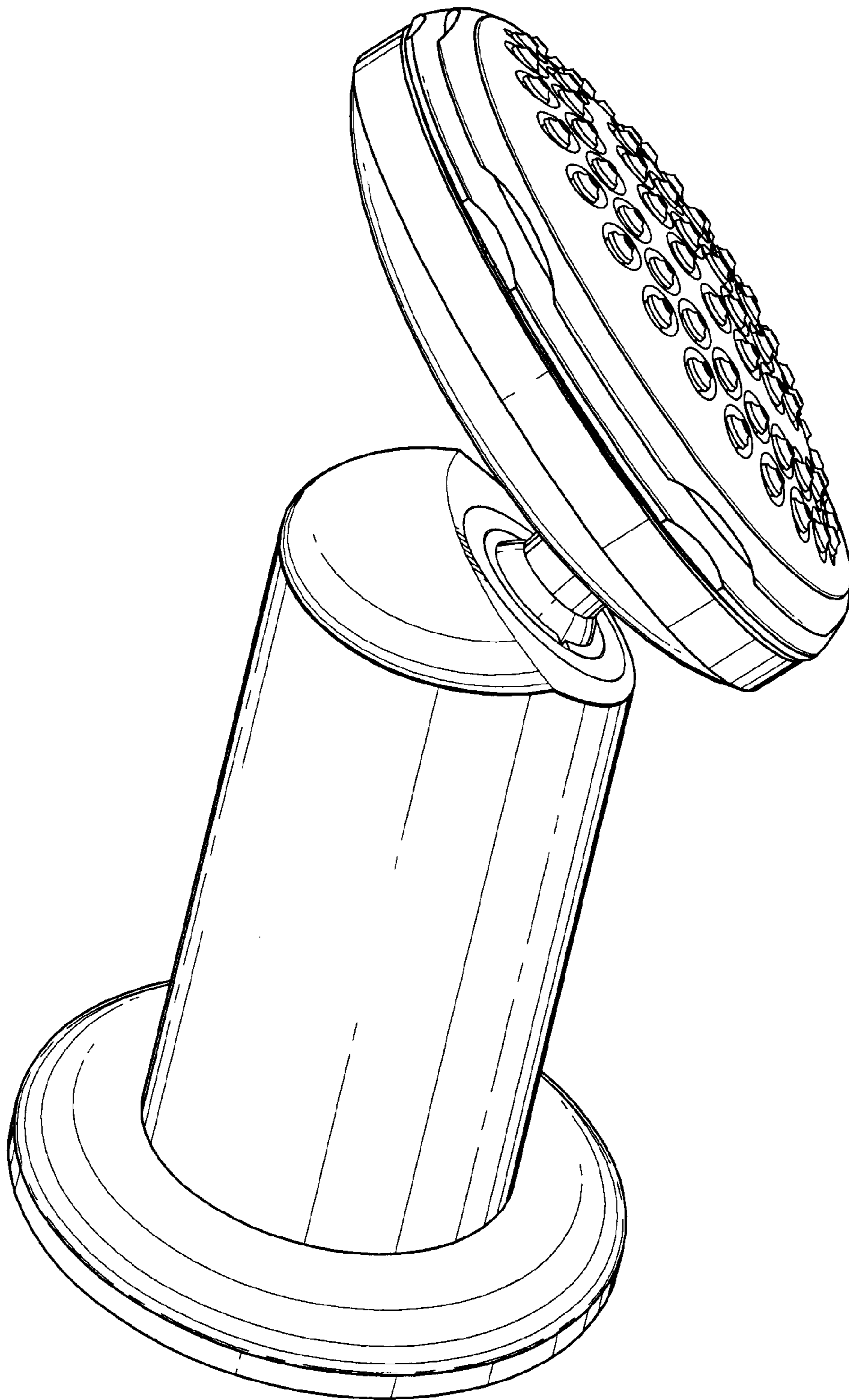


FIGURE 8

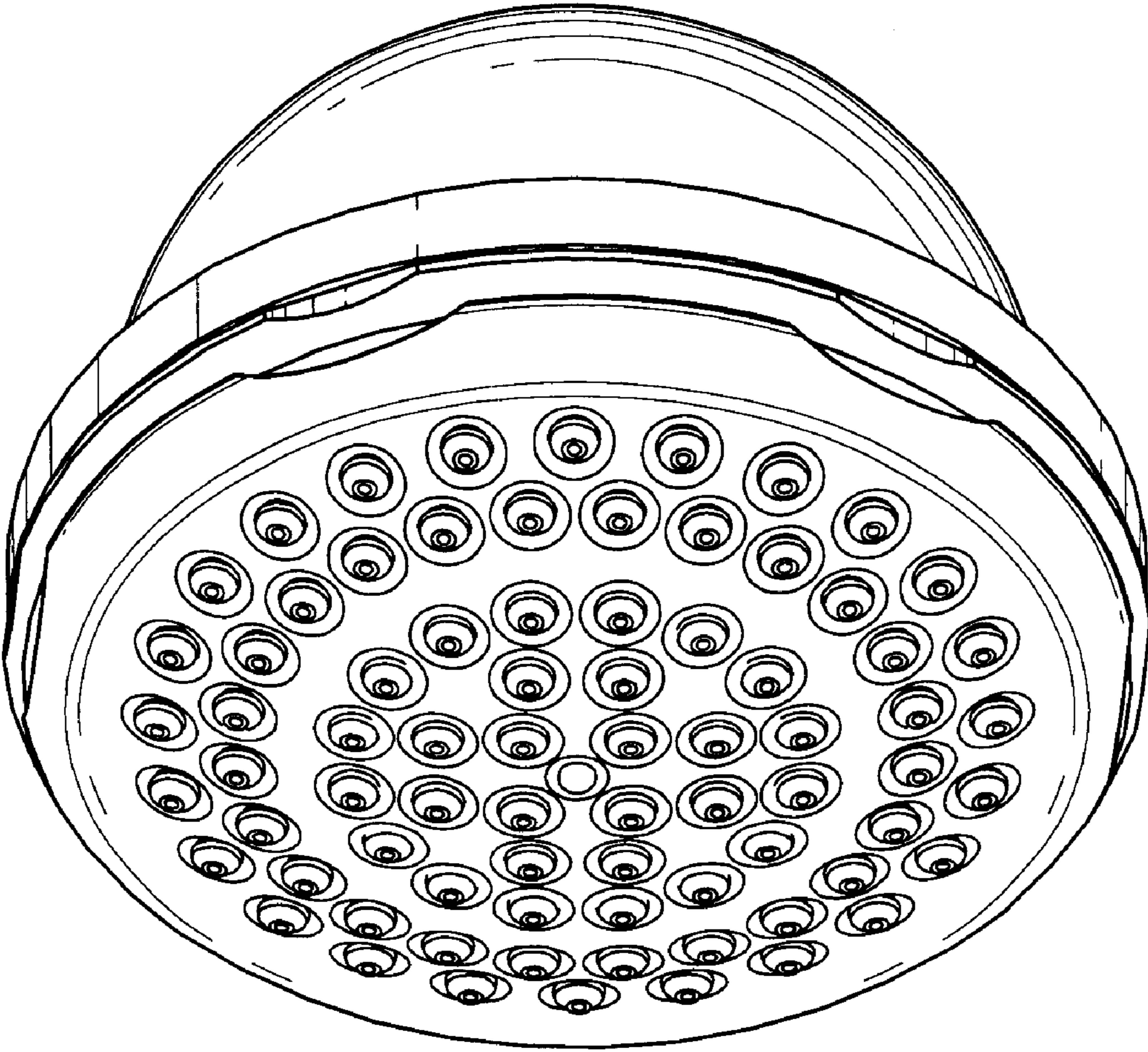


FIGURE 9

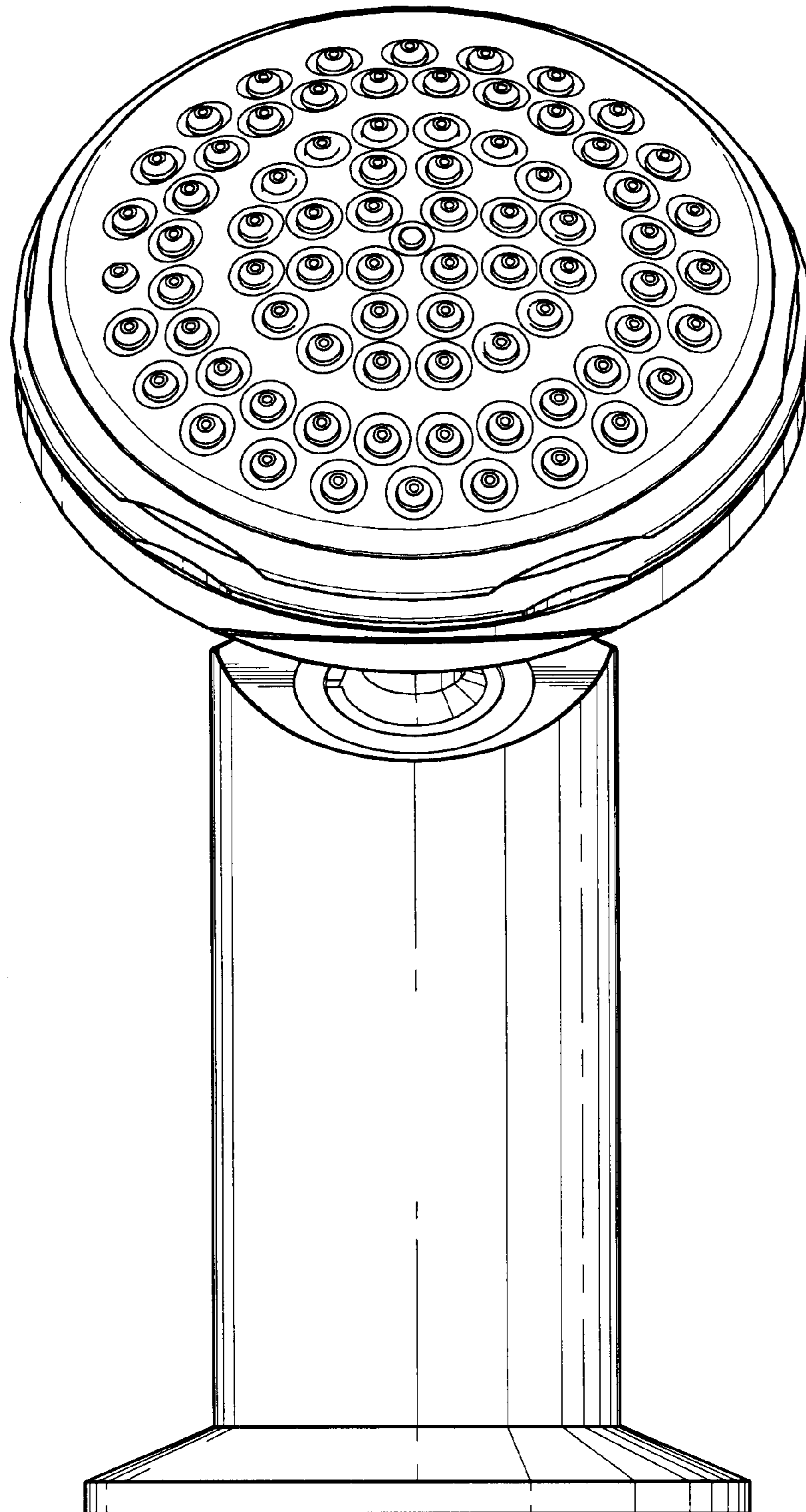


FIGURE 10