

US00D502760S

(12) **United States Design Patent**
Zieger et al.

(10) **Patent No.:** **US D502,760 S**
(45) **Date of Patent:** **** Mar. 8, 2005**

(54) **HAND SHOWER**

(75) Inventors: **Claus D. Zieger**, City of Industry, CA (US); **Christopher Glupker**, Van Nuys, CA (US); **Lance Hussey**, Simi Valley, CA (US); **Ravi Sawhney**, Calabasas, CA (US)

(73) Assignee: **Interbath, Inc.**, City of Industry, CA (US)

(**) Term: **14 Years**

(21) Appl. No.: **29/181,894**

(22) Filed: **May 17, 2003**

(51) **LOC (7) Cl.** **23-01**

(52) **U.S. Cl.** **D23/223**

(58) **Field of Search** D23/213, 223, D23/226, 229, 230; 239/394, 282, 283

(56) **References Cited**

U.S. PATENT DOCUMENTS

D339,627 S	*	9/1993	Klose	D23/223
D424,162 S	*	5/2000	Haug et al.	D23/223
D424,163 S	*	5/2000	Haug et al.	D23/223
D428,110 S	*	7/2000	Haug et al.	D23/223

* cited by examiner

Primary Examiner—Robin V. Taylor
(74) *Attorney, Agent, or Firm*—Foley & Lardner LLP

(57) **CLAIM**

The ornamental design for a hand shower, as shown and described.

DESCRIPTION

FIG. 1 is a perspective view of a hand shower showing our new design, according to an embodiment of the present invention;

FIG. 2 is a top plan view thereof, according to an embodiment of the present invention;

FIG. 3 is a front elevation view thereof, according to an embodiment of the present invention;

FIG. 4 is a rear elevation view thereof, according to an embodiment of the present invention;

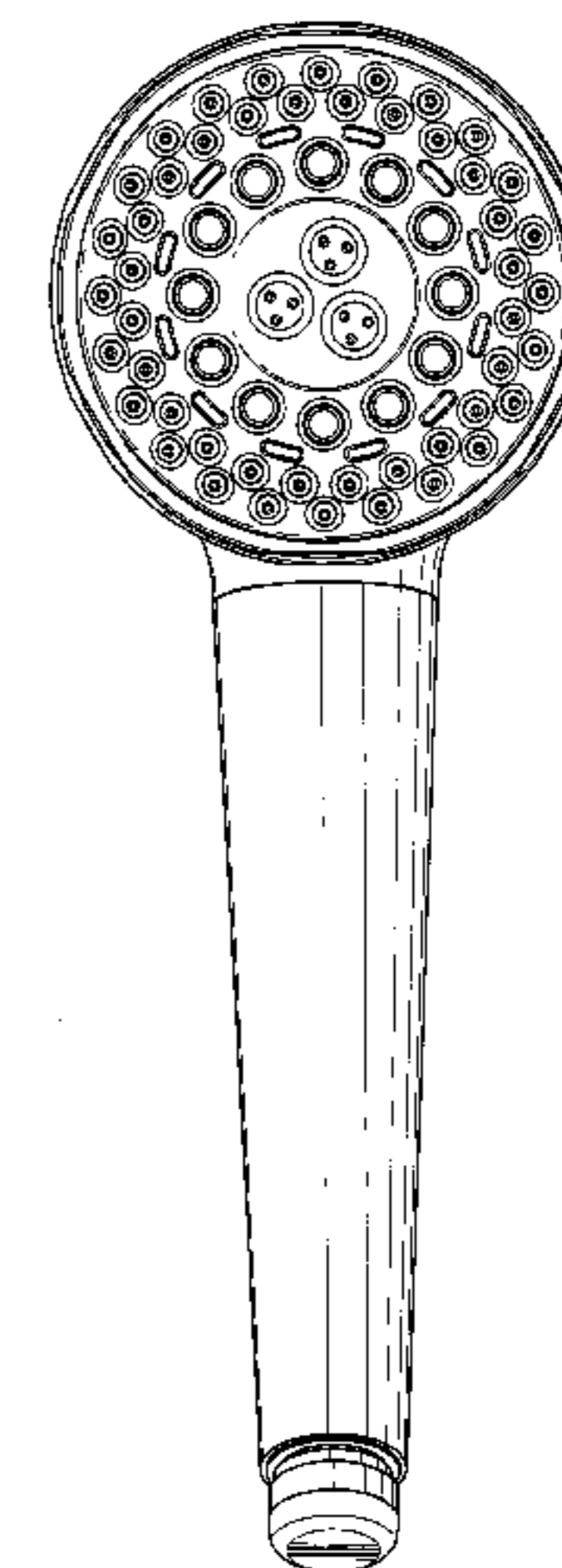
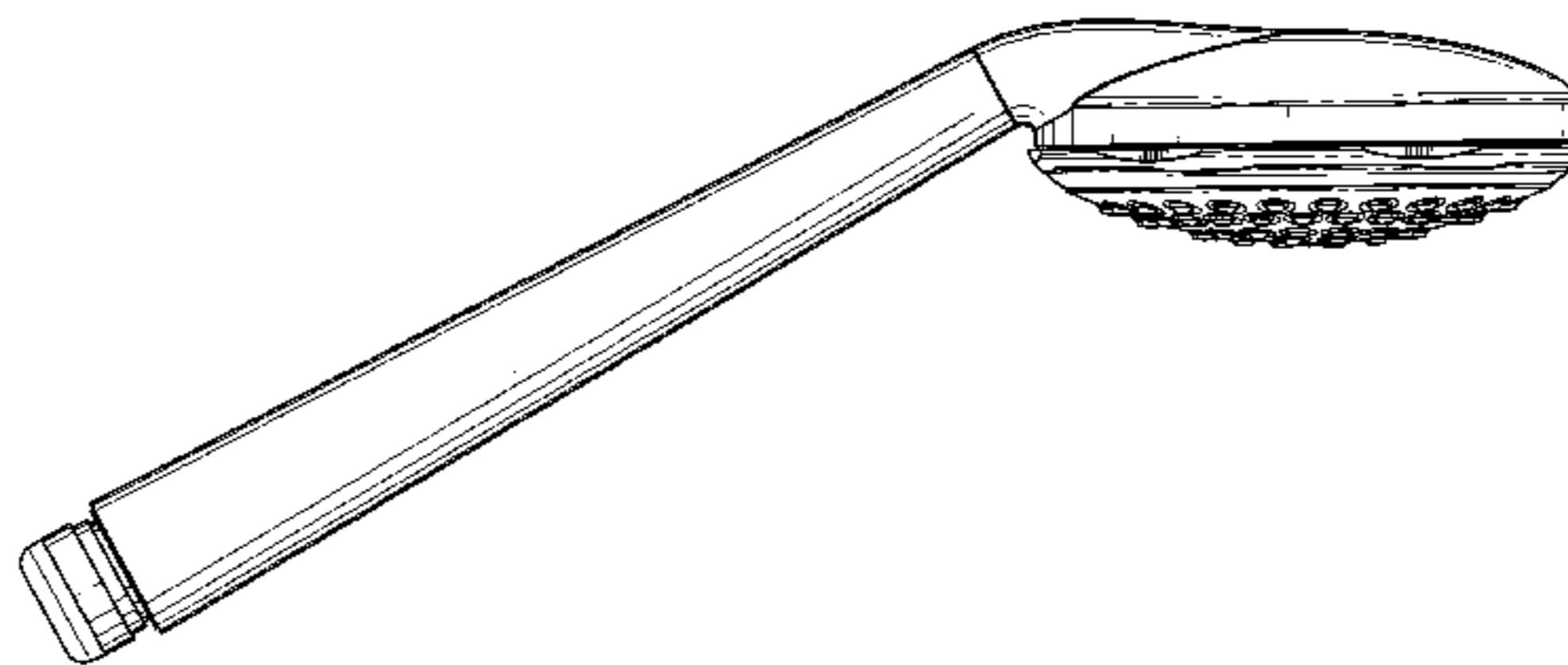
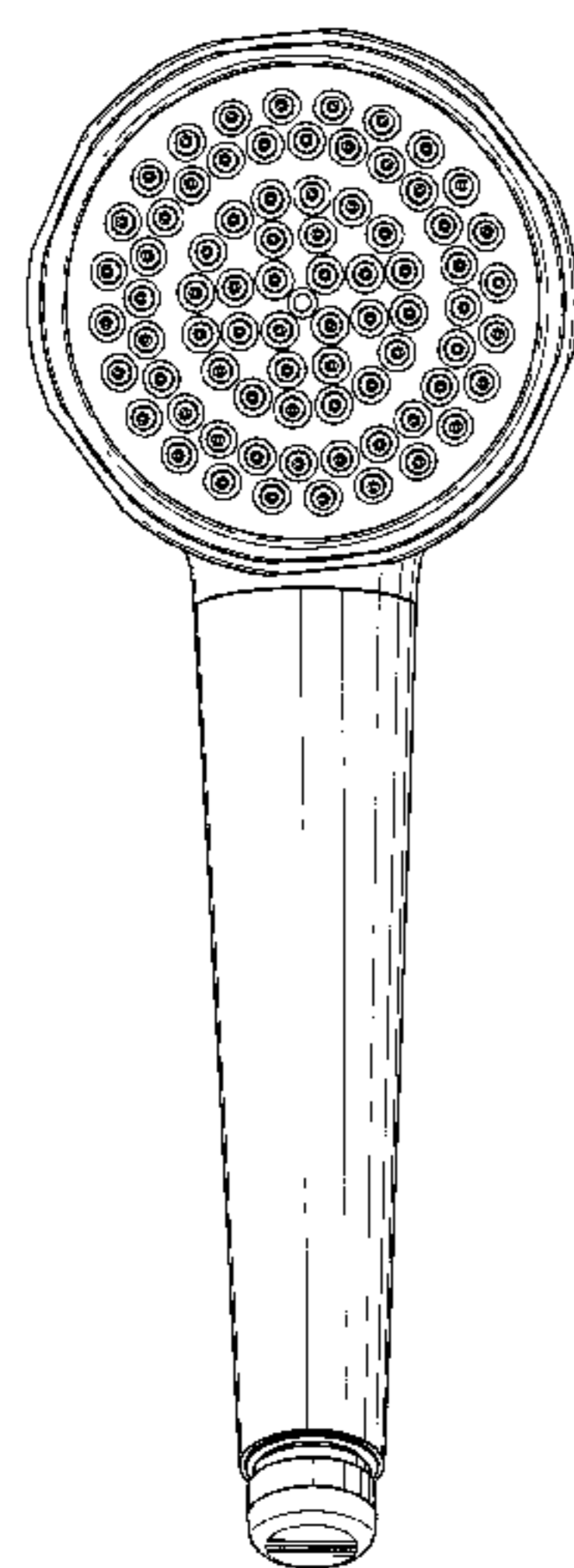
FIG. 5 is a bottom plan view thereof, according to an embodiment of the present invention;

FIG. 6 is a first side elevation view thereof, according to an embodiment of the present invention;

FIG. 7 is a second side elevation view thereof, according to an embodiment of the present invention; and,

FIG. 8 is a front elevation view thereof, according to another embodiment of the present invention, only difference being in the shower face.

1 Claim, 8 Drawing Sheets



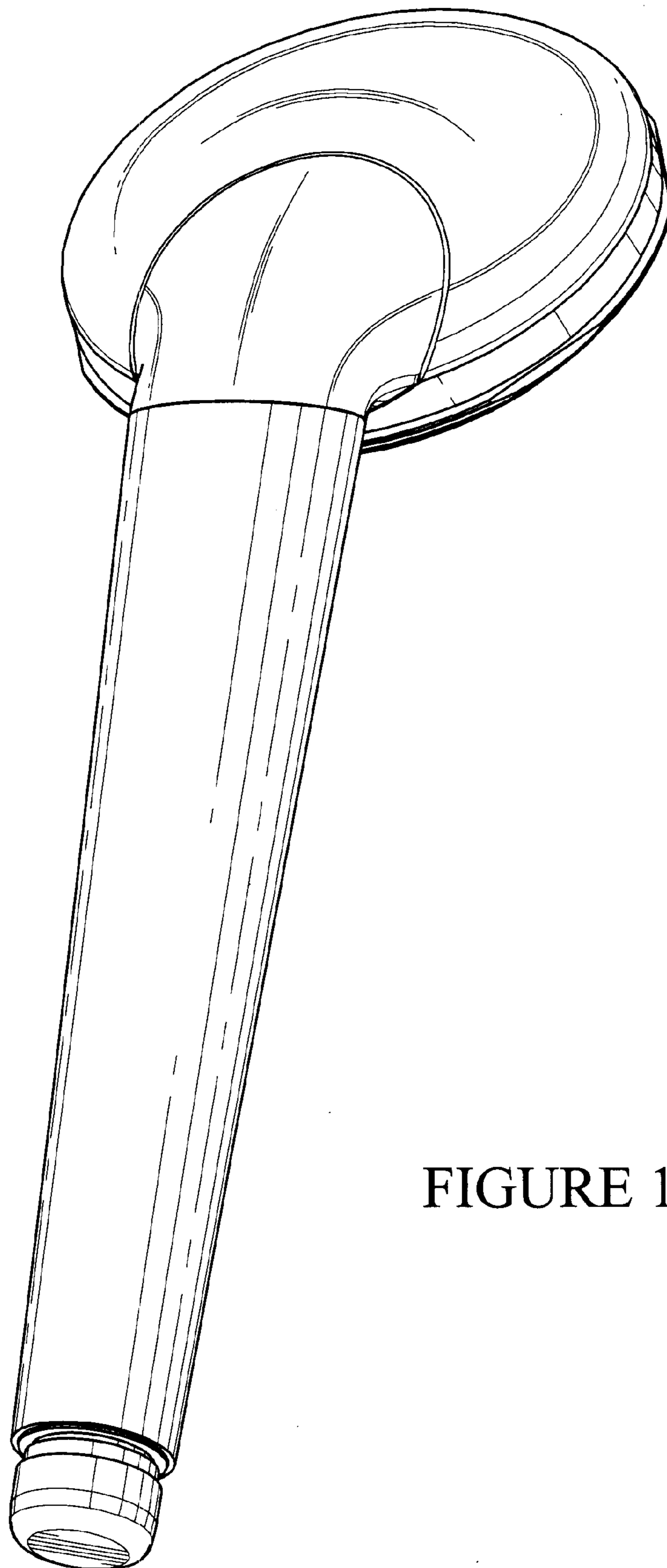


FIGURE 1

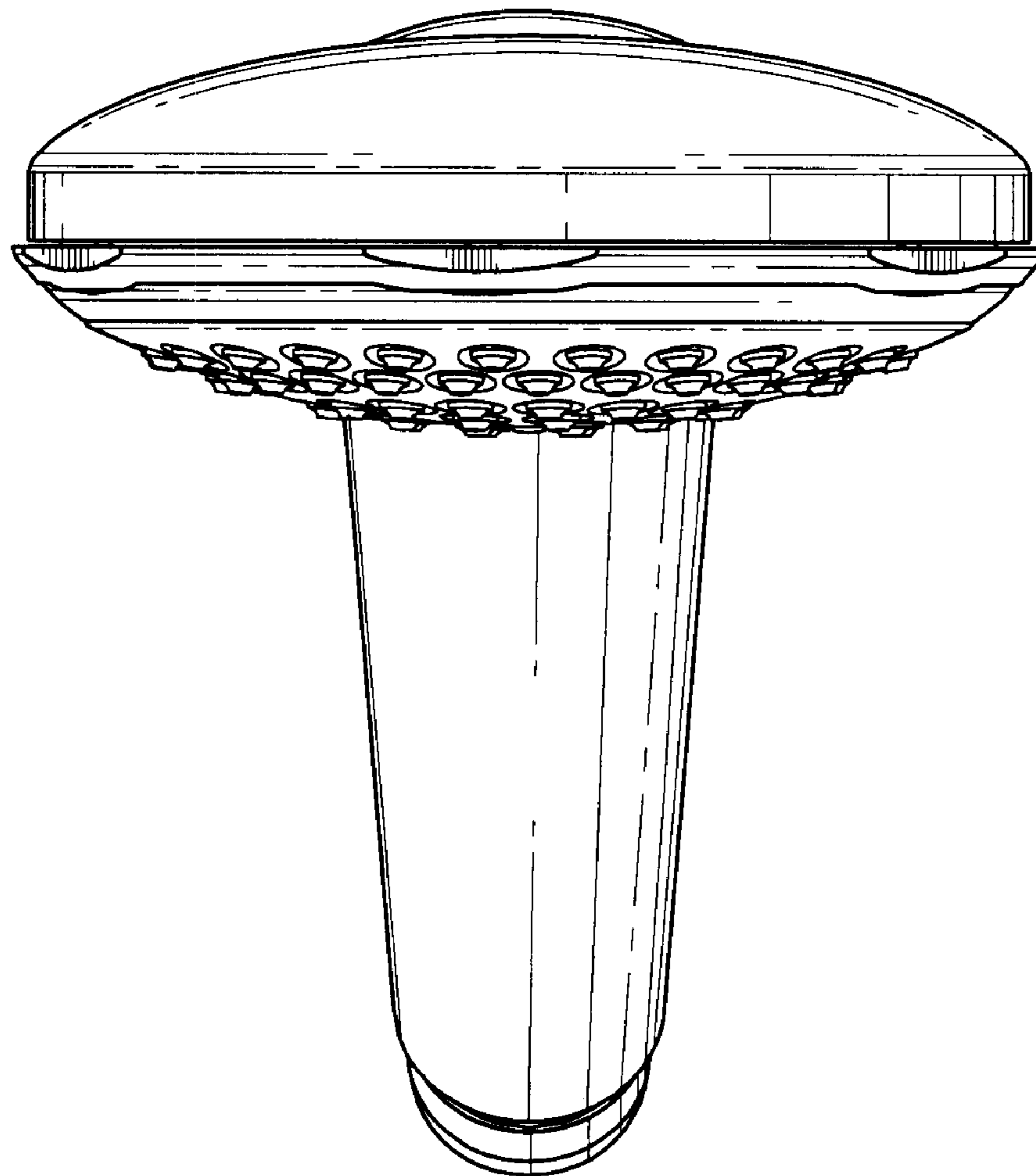


FIGURE 2

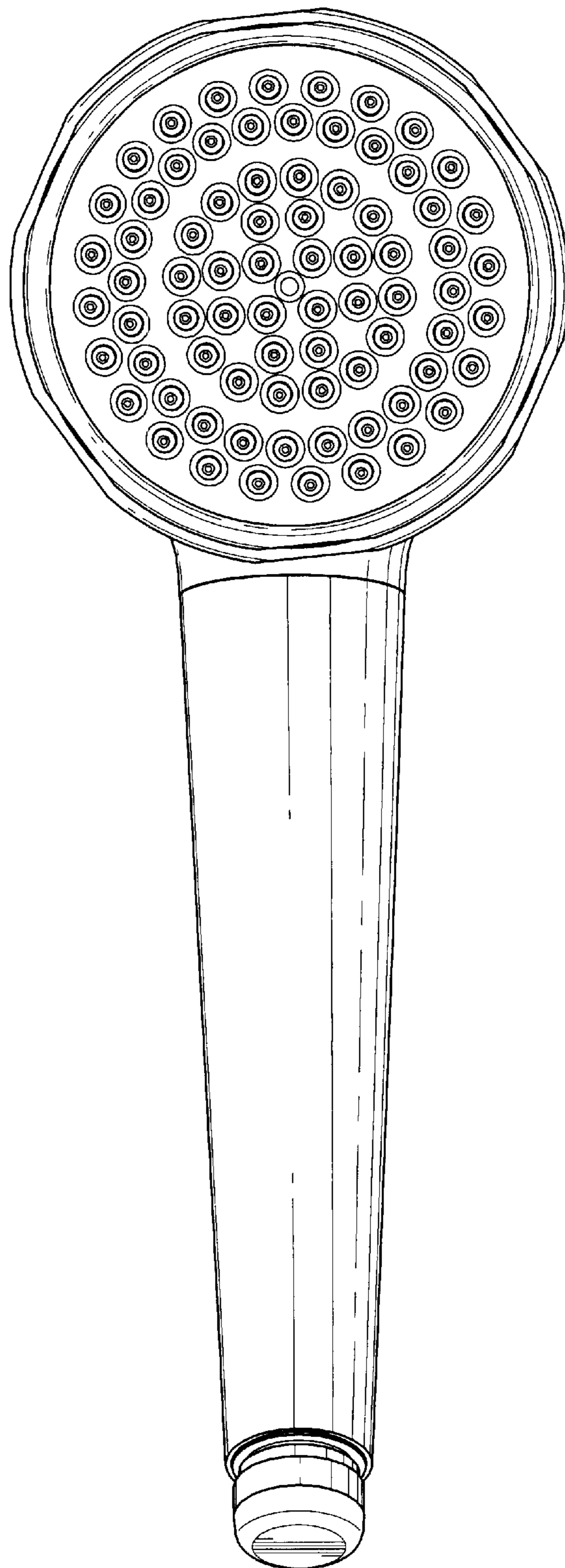


FIGURE 3

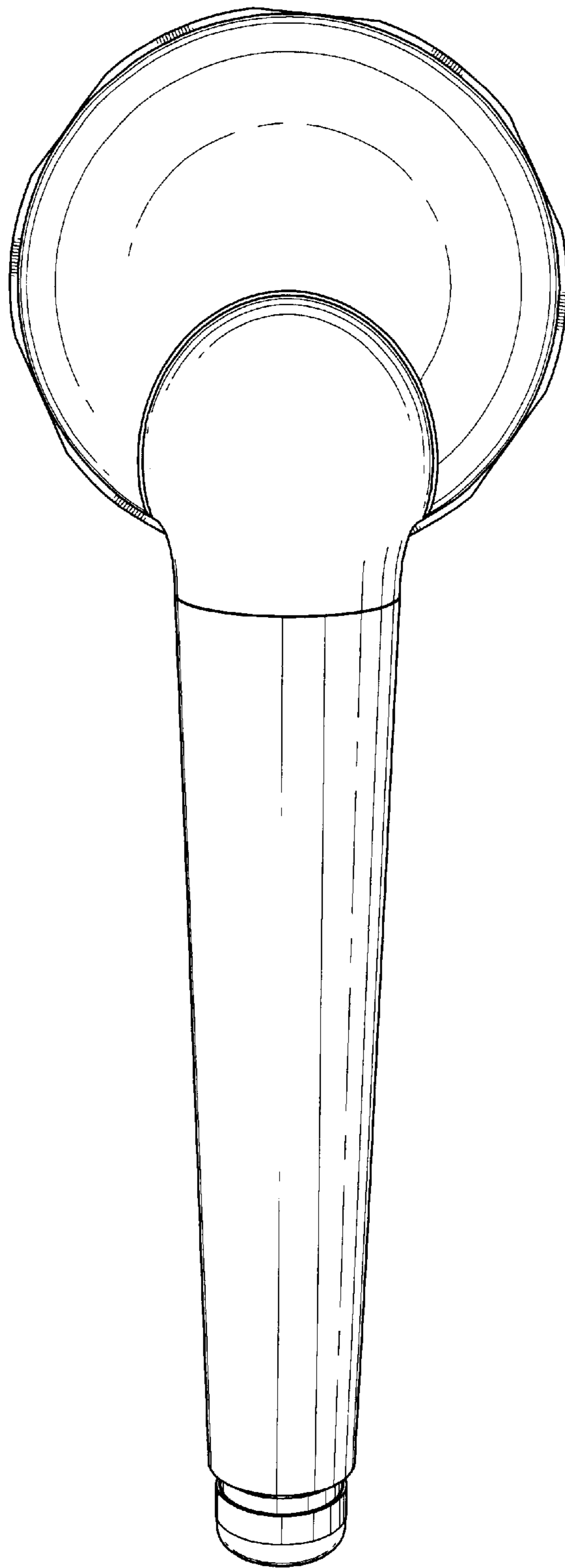


FIGURE 4

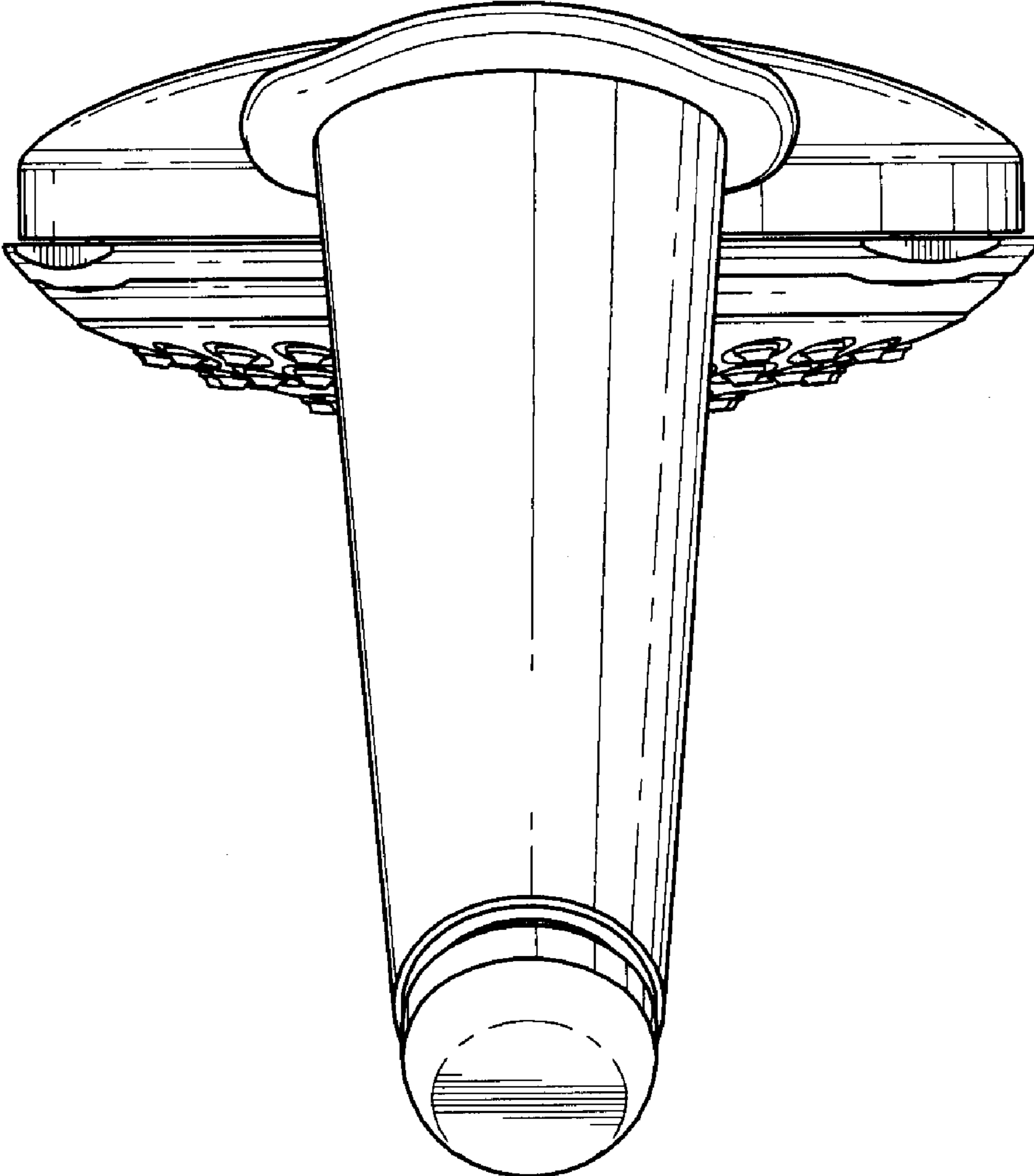


FIGURE 5

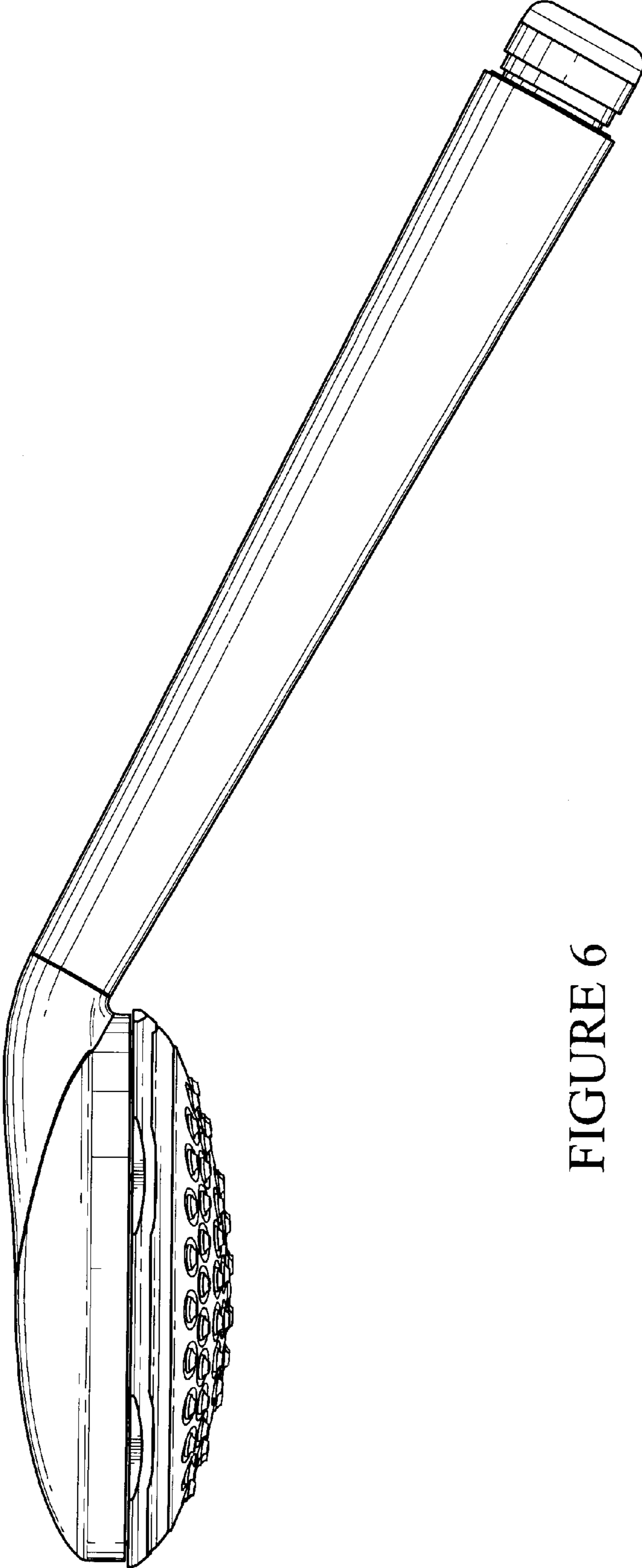


FIGURE 6

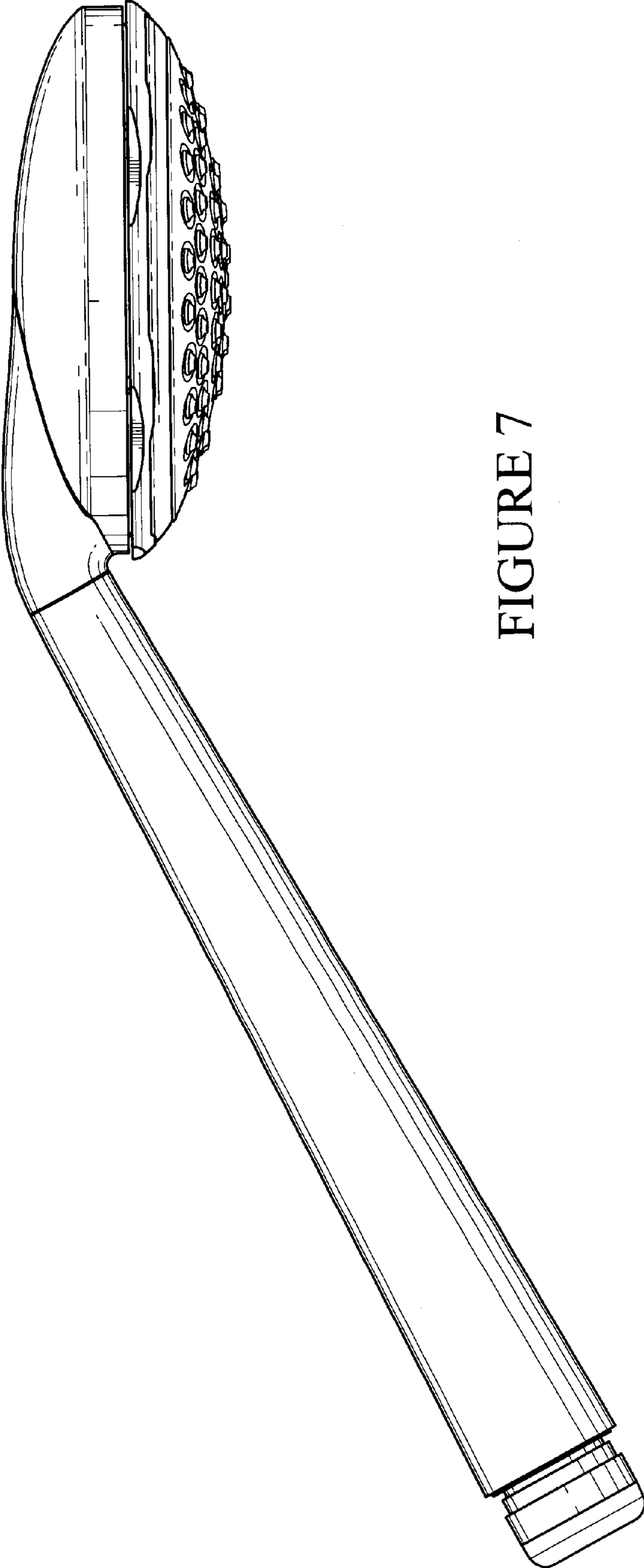


FIGURE 7

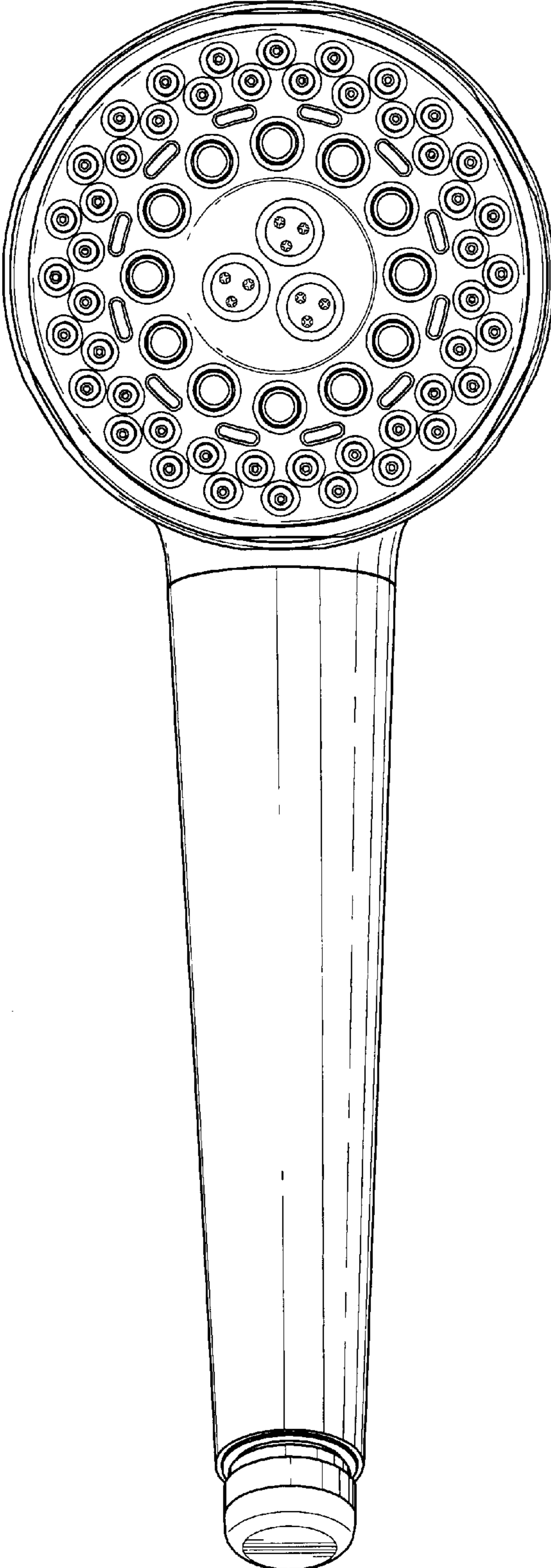


FIGURE 8