

US00D502759S

(12) **United States Design Patent** (10) **Patent No.:** **US D502,759 S**  
**Smoot** (45) **Date of Patent:** **\*\* Mar. 8, 2005**

(54) **HERBICIDE APPLICATOR**

(76) Inventor: **Jerry Wayne Smoot**, Route 1, Box 49,  
Olton, TX (US) 79064

(\*\*) Term: **14 Years**

(21) Appl. No.: **29/182,991**

(22) Filed: **Jun. 4, 2003**

(51) **LOC (7) Cl.** ..... **23-01**

(52) **U.S. Cl.** ..... **D23/213; D8/2**

(58) **Field of Search** ..... **D23/213, 223,**  
**D23/226; 239/526, 527, 532; D8/2; 47/1.5;**  
**401/140**

(56) **References Cited**

**U.S. PATENT DOCUMENTS**

4,027,986	A *	6/1977	Patrick	.....	47/1.5
4,403,881	A *	9/1983	Keeton	.....	401/202
D274,597	S *	7/1984	Baumber	.....	D8/2
D294,965	S *	3/1988	Garrard et al.	.....	D23/226
4,803,801	A *	2/1989	Nelson, Jr.	.....	47/1.5
6,014,836	A *	1/2000	Chester	.....	47/1.5
6,367,714	B1 *	4/2002	Smoot	.....	239/288.5
6,663,307	B2 *	12/2003	Kopanic et al.	.....	401/190
6,705,539	B1 *	3/2004	Bien	.....	239/10

\* cited by examiner

*Primary Examiner*—Robin V. Taylor

(74) *Attorney, Agent, or Firm*—Aaron R. Clements

(57) **CLAIM**

The ornamental design for an herbicide applicator, as shown and described.

**DESCRIPTION**

The present application discloses a weed stick sprayer comprising a long, arcuately tapered cylinder with a spray

nozzle at one end, and handle with trigger at the other end, and a support handle mounted approximately midway along the length of the cylinder. This combination is intended for use in applying herbicide in limited spot applications on garden weeds.

FIG. 1 shows a top view of the device, showing the side handle attached to the body of the device.

FIG. 2 shows a bottom view of the device, showing the main handle and the grip portion of the side handle.

FIG. 3 shows an oblique view of the user end of the device, showing the main handle, side handle, and the tank end cap.

FIG. 4 shows an oblique view of the applicator end of the device, showing the main handle attached to the body of the device, as well as the applicator cup attached to the body of the device at the applicator end of the device.

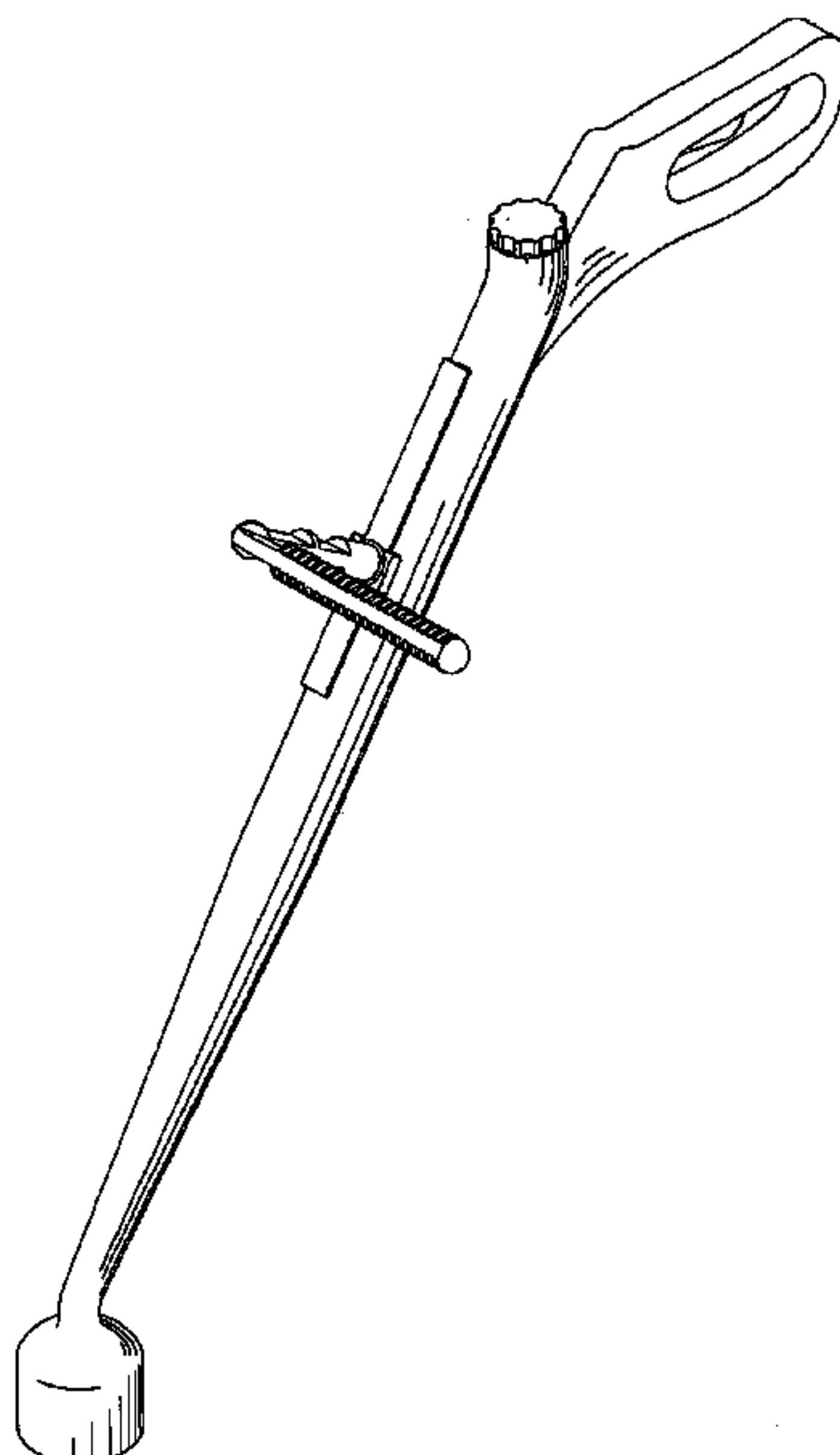
FIG. 5 shows a view of the device from the left side, showing the main handle with trigger mechanism, side handle, tank end cap at the user end of the body of the device, and the applicator cup at the applicator end of the body of the device.

FIG. 6 shows a view of the device from the right side, showing the main handle with trigger mechanism, side handle, tank end cap at the user end of the body of the device, and the applicator cup at the applicator end of the body of the device; and,

FIG. 7 shows an oblique view of the device.

The current design for an herbicide applicator including a main cylindrical body tapering at one end with an applicator cup affixed at that end and with a handle/trigger mechanism and filling cap at the other end as shown in the drawings, with an additional side handle affixed to the main cylindrical body also as shown in the drawings.

**1 Claim, 5 Drawing Sheets**



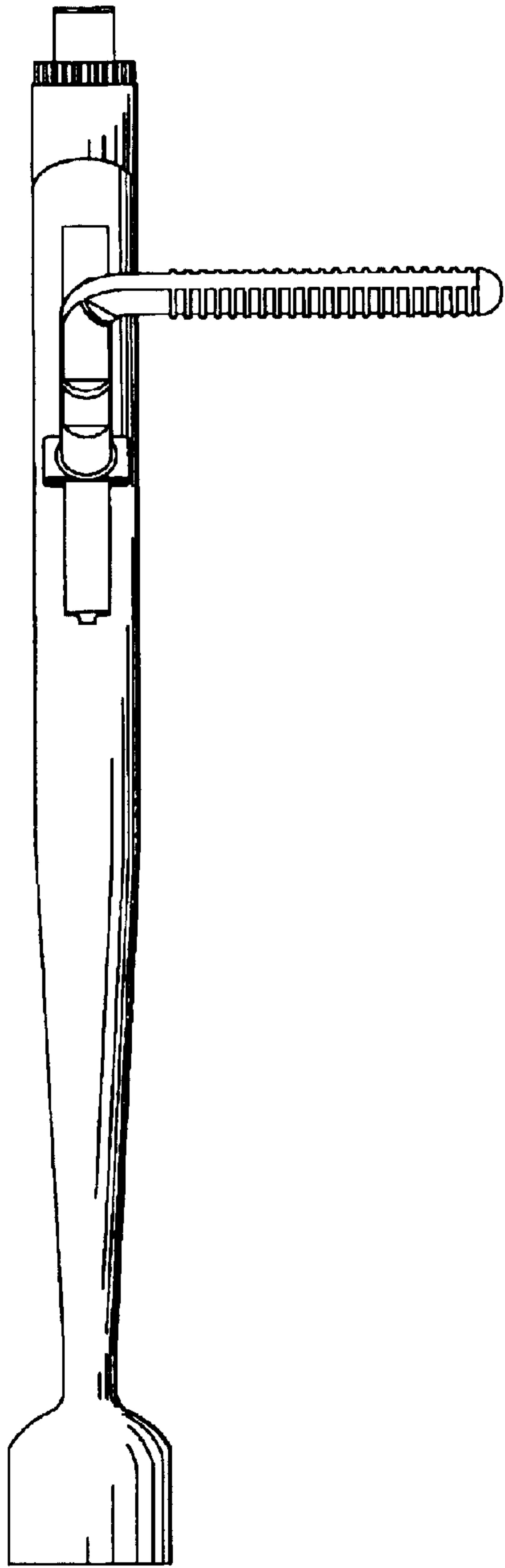


FIG 1

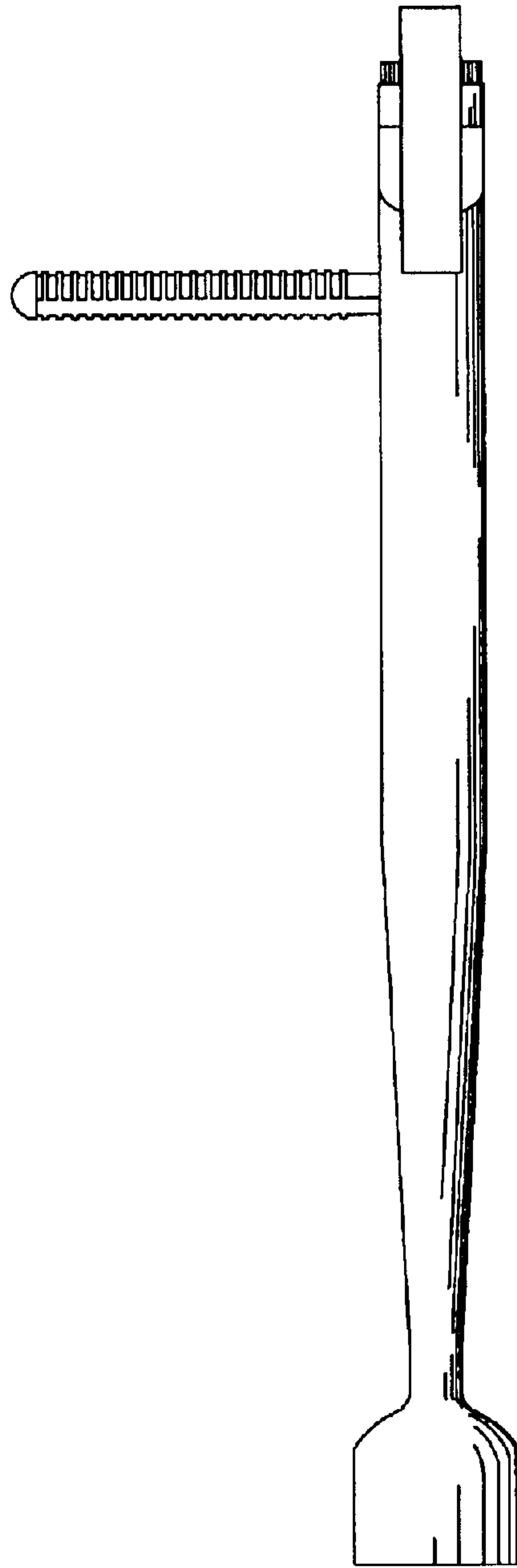


FIG 2

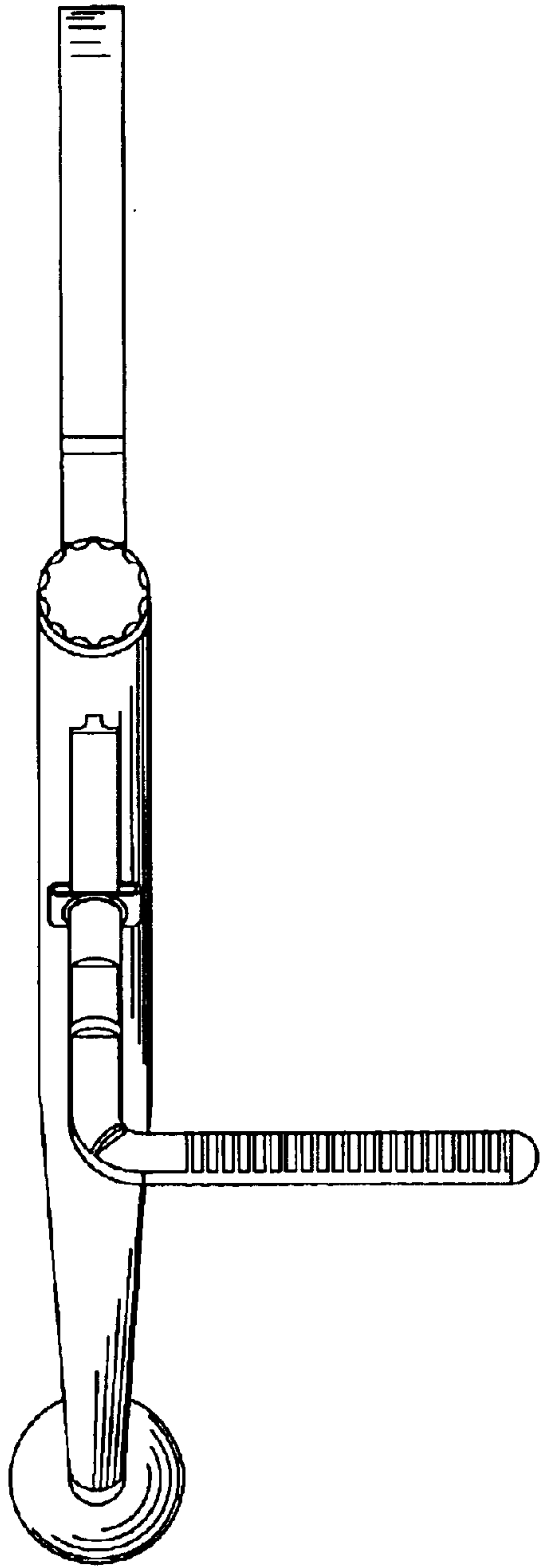


FIG 3

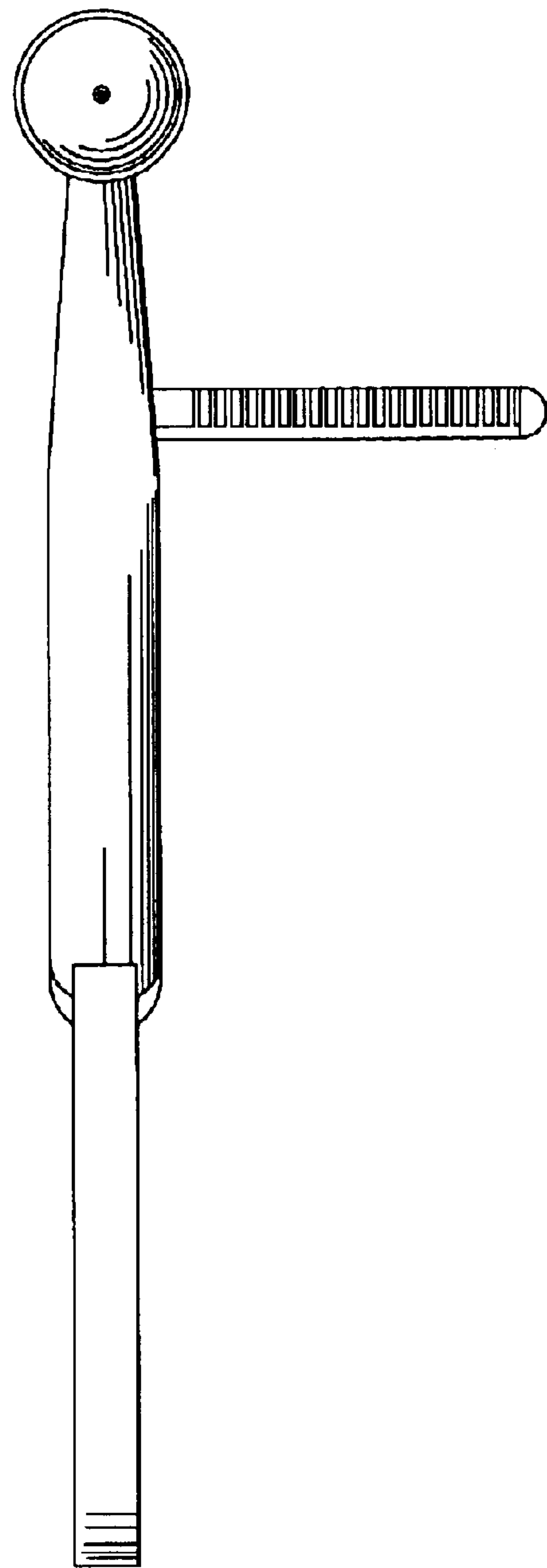


FIG 4

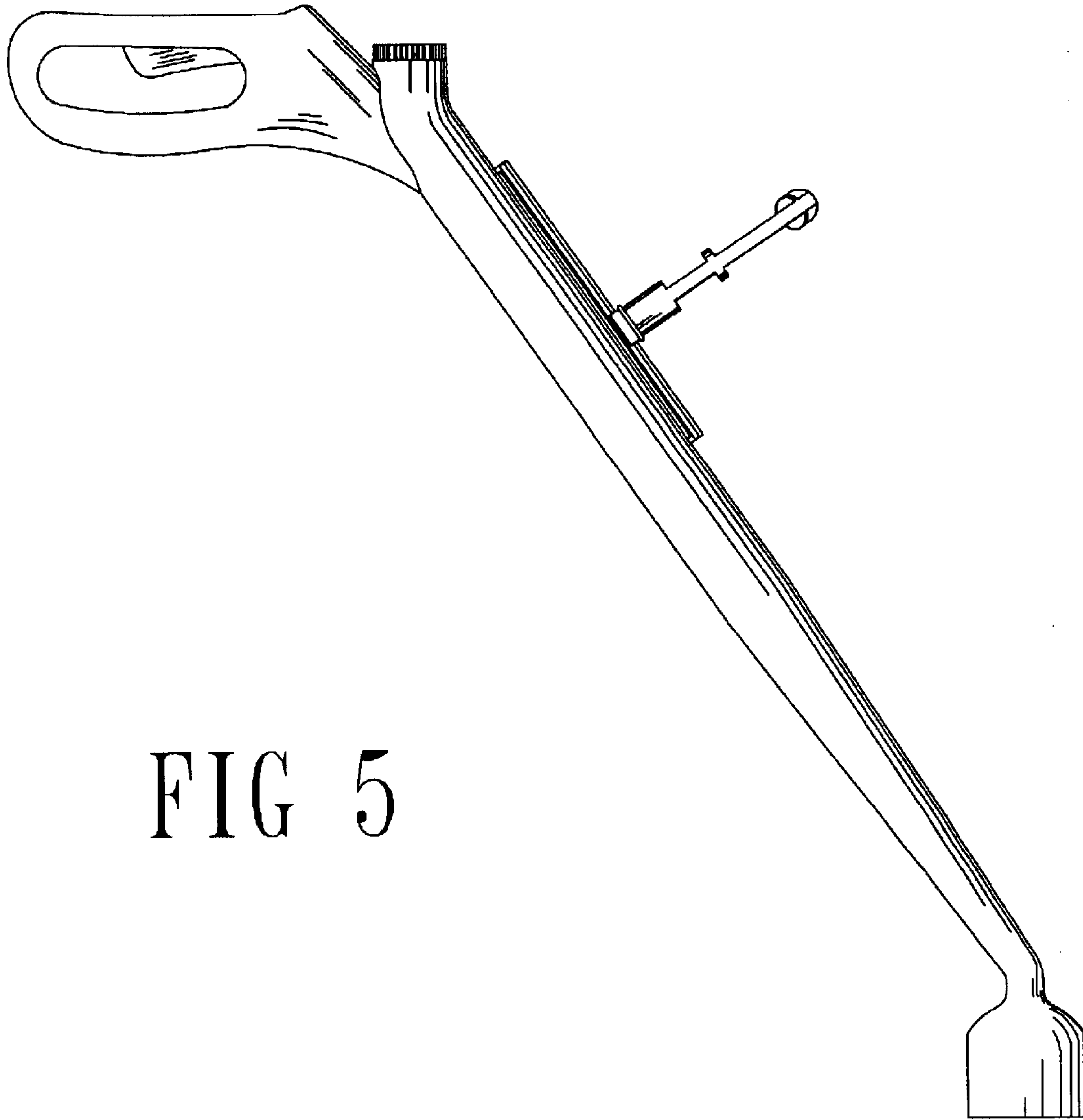


FIG 5

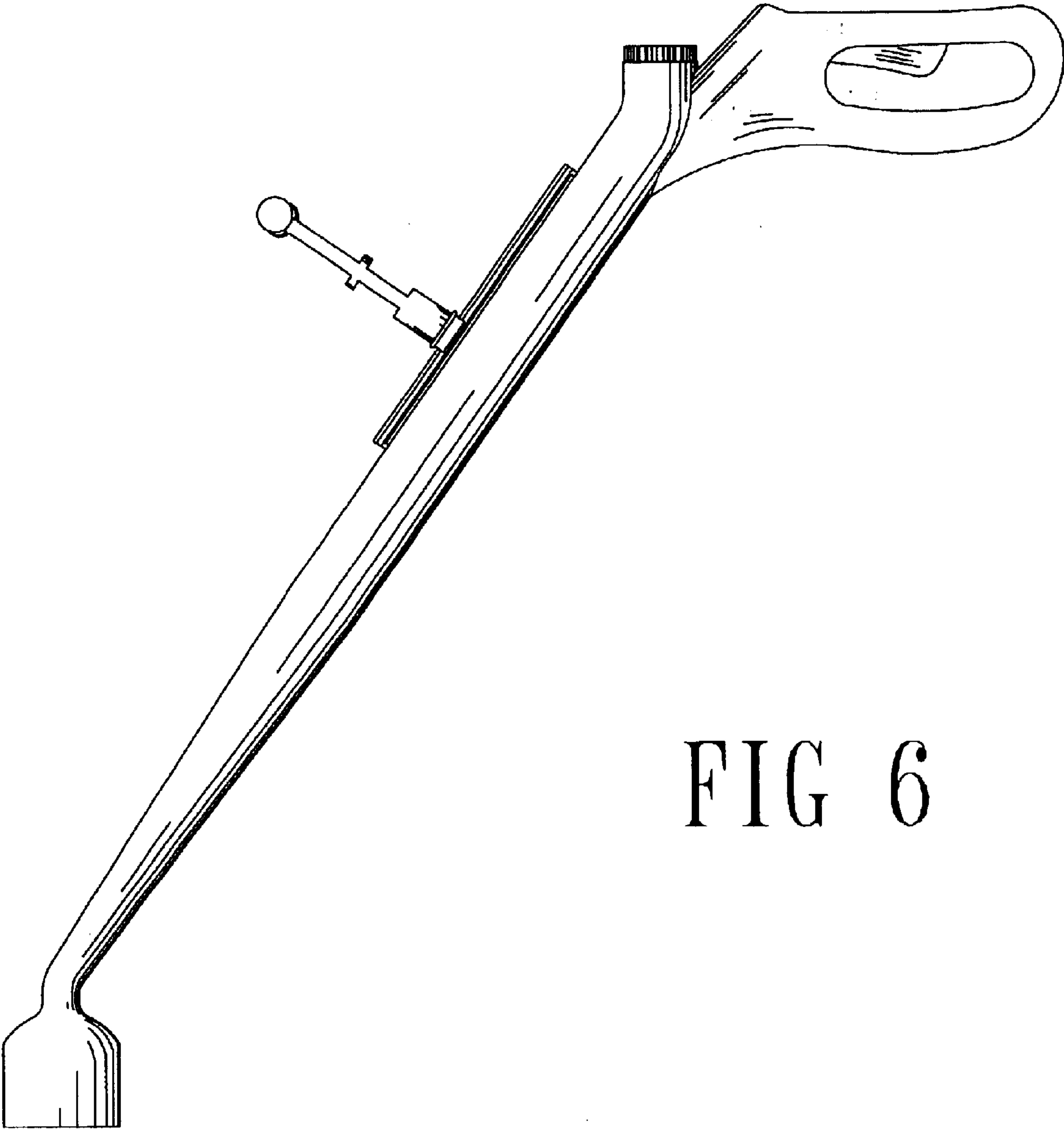


FIG 6

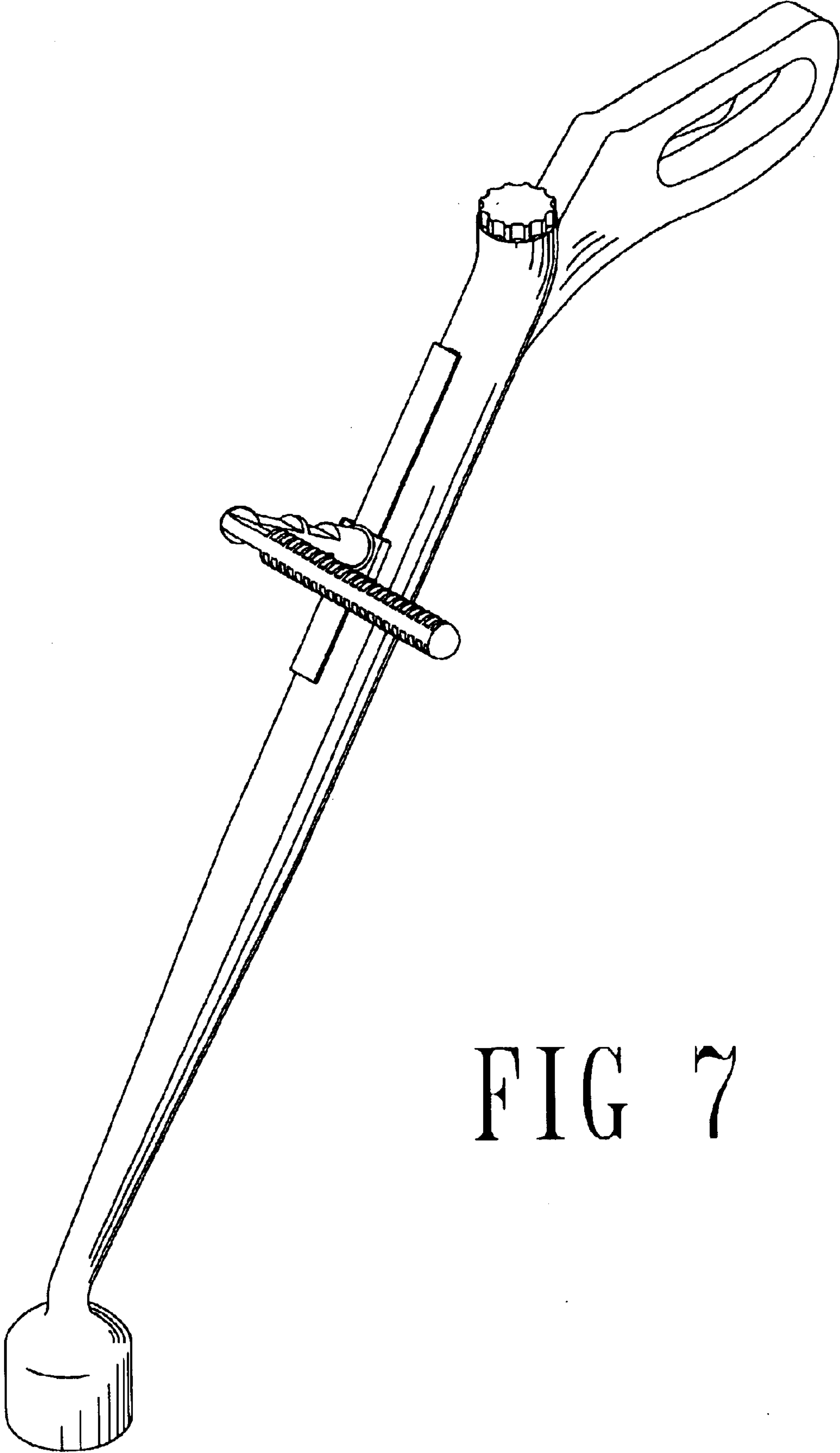


FIG 7