

US00D502756S

(12) **United States Design Patent**  
**Birdwell et al.**

(10) **Patent No.: US D502,756 S**  
(45) **Date of Patent: \*\* Mar. 8, 2005**

(54) **MULTIUSE GAMBREL**

(76) Inventors: **Keith L. Birdwell**, P.O. Box 237,  
Marthaville, LA (US) 71450; **Donna F. Birdwell**, P.O. Box 237, Marthaville,  
LA (US) 71450

(\*\*) Term: **14 Years**

(21) Appl. No.: **29/198,009**

(22) Filed: **Jan. 22, 2004**

(51) **LOC (7) Cl.** ..... **22-99**

(52) **U.S. Cl.** ..... **D22/199**

(58) **Field of Search** ..... D22/199; 224/103;  
294/81.56, 74, 137, 142; 452/189, 191,  
192, 187; 84/402

(56) **References Cited**

**U.S. PATENT DOCUMENTS**

3,302,837 A	*	2/1967	Montgomery	.....	224/103
D274,036 S		5/1984	Schraml	.....	D8/370
4,763,942 A		8/1988	Lyon	.....	294/79
4,909,555 A		3/1990	Blasi	.....	594/79

D345,780 S		4/1994	Ream	.....	294/74
5,591,077 A		1/1997	Rowe	.....	452/189
5,938,521 A		8/1999	Jasek et al.	.....	452/192
6,132,305 A	*	10/2000	Witherell	.....	452/192
D462,416 S	*	9/2002	Dallas, Sr.	.....	D22/199
D486,879 S	*	2/2004	Powell et al.	.....	D22/199
6,729,666 B2	*	5/2004	Mullis	.....	294/81.56

\* cited by examiner

*Primary Examiner*—Catherine R. Oliver

(74) *Attorney, Agent, or Firm*—Richard L. Mikesell

(57) **CLAIM**

The ornamental design for a multiuse gambrel, as shown and described.

**DESCRIPTION**

FIG. 1 is a top right perspective view of a gambrel showing our new design;  
FIG. 2 is a side elevation view thereof;  
FIG. 3 is a top plan view thereof;  
FIG. 4 is a bottom plan view thereof; and,  
FIG. 5 is a front, with the rear being a mirror image.

**1 Claim, 1 Drawing Sheet**

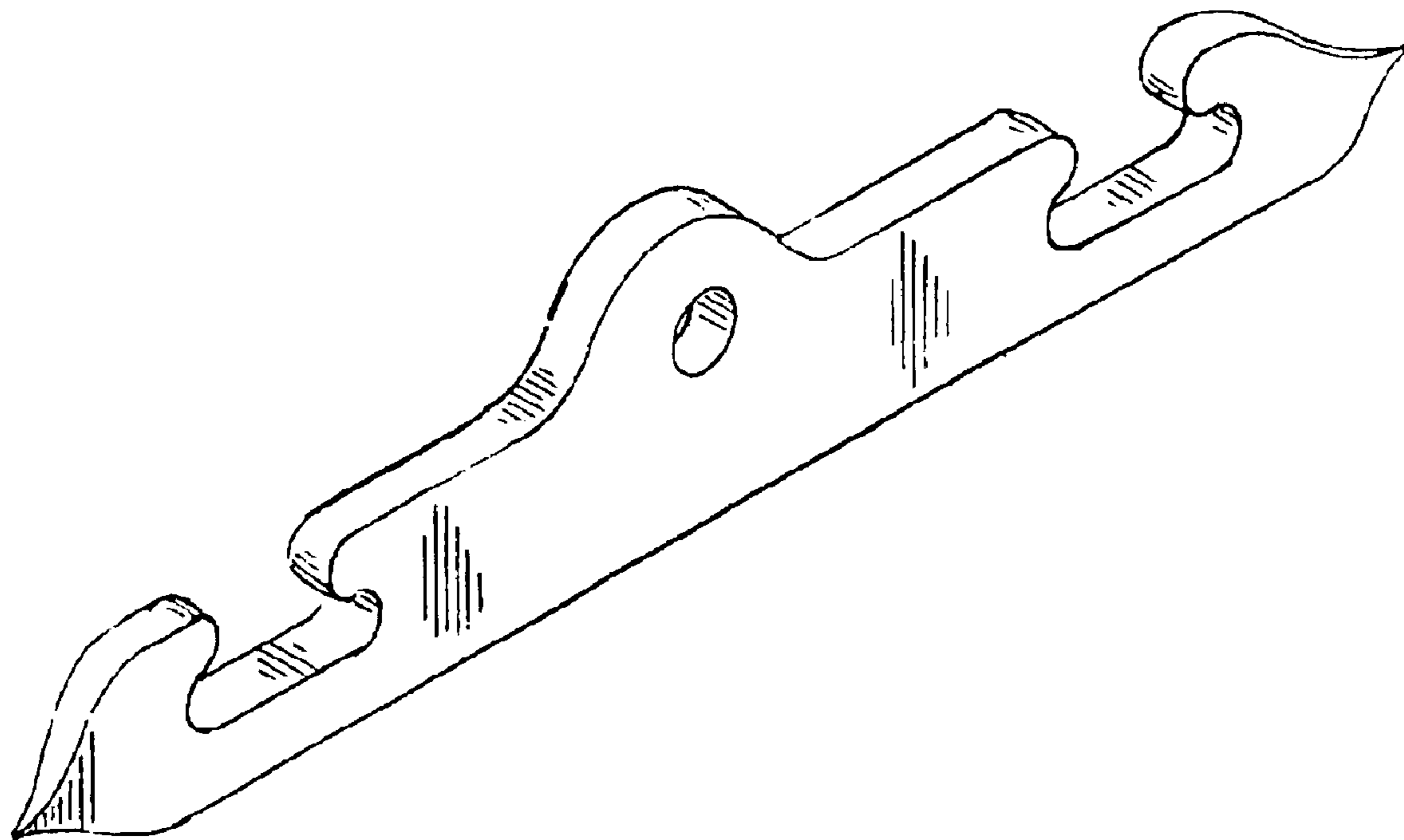


FIG. 2

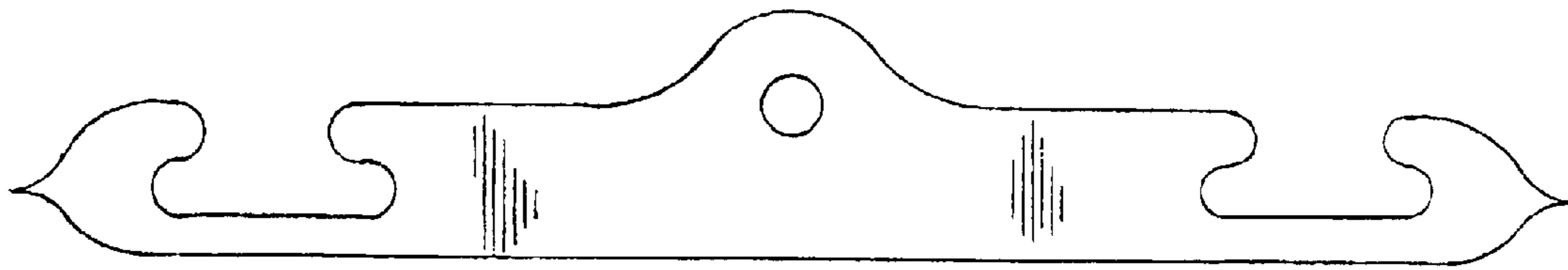


FIG. 3

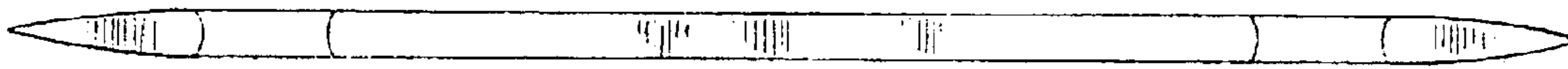


FIG. 4

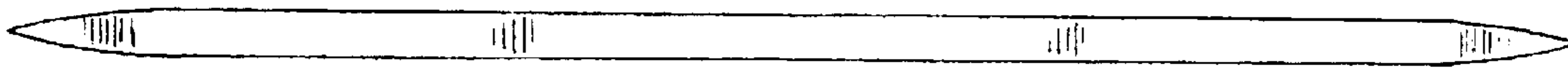


FIG. 1

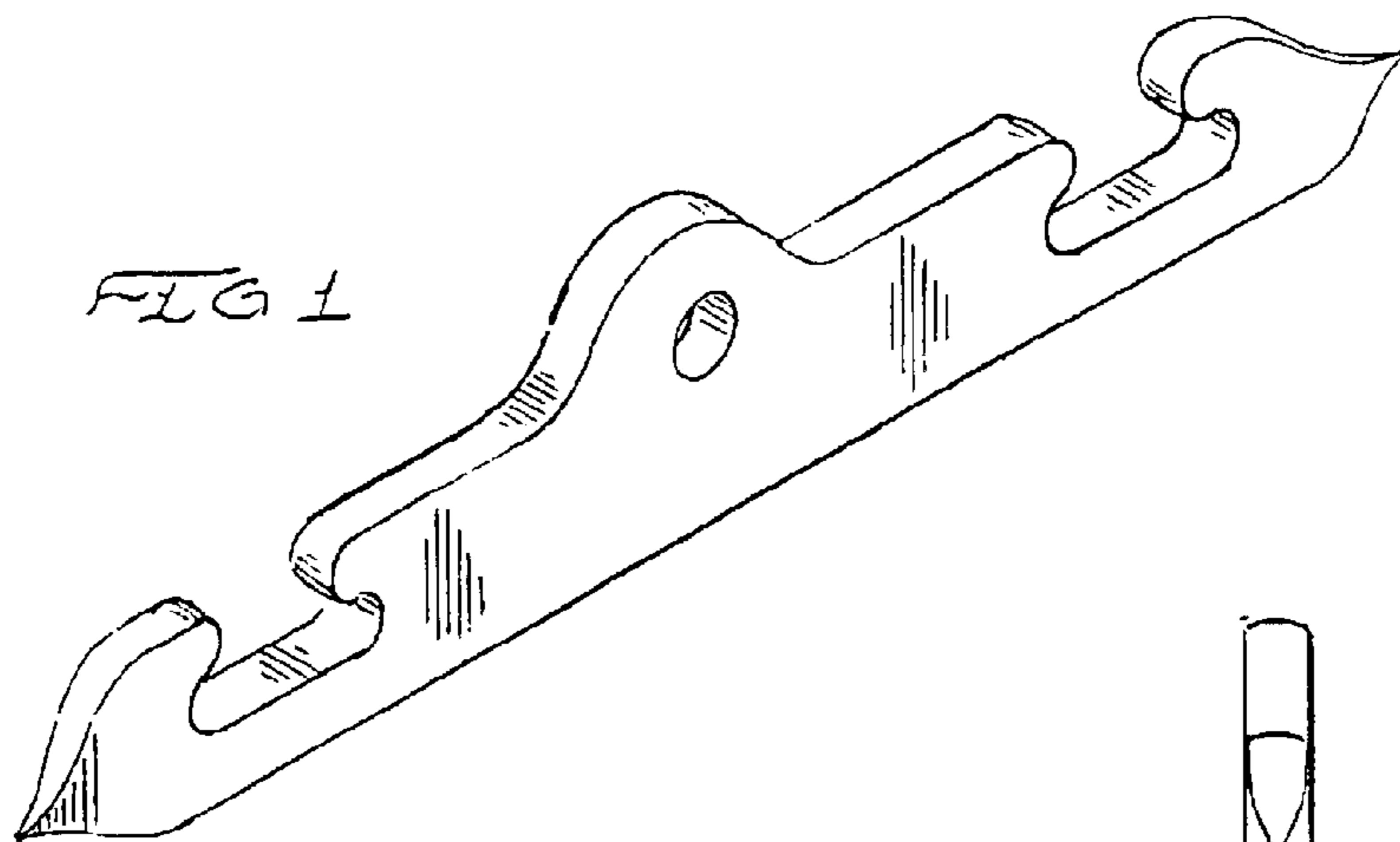


FIG. 5

