



US00D502754S

(12) **United States Design Patent**  
**Tao**

(10) **Patent No.:** **US D502,754 S**  
(45) **Date of Patent:** **\*\* Mar. 8, 2005**

(54) **FISHING REEL**

(75) **Inventor:** **Ning Tao, Melbourne (AU)**

(73) **Assignee:** **Penn Fishing Tackle Manufacturing Company**

(\*\*) **Term:** **14 Years**

(21) **Appl. No.:** **29/204,270**

(22) **Filed:** **Apr. 27, 2004**

(51) **LOC (7) Cl.** ..... **22-05**

(52) **U.S. Cl.** ..... **D22/140**

(58) **Field of Search** ..... **D22/137-142;**  
**43/20-24; 242/311, 318, 322, 390**

(56) **References Cited**

**U.S. PATENT DOCUMENTS**

- D284,396 S \* 6/1986 Iinuma et al. .... D22/140
- D348,303 S \* 6/1994 Kameda et al. .... D22/140
- D451,577 S \* 12/2001 Duarte ..... D22/140

D491,249 S \* 6/2004 Burke et al. .... D22/140

\* cited by examiner

*Primary Examiner*—Catherine R. Oliver

(74) *Attorney, Agent, or Firm*—Frank J. Benasutti

(57) **CLAIM**

The ornamental design for a fishing reel, as shown and described.

**DESCRIPTION**

FIG. 1 is a perspective view of a fishing reel in accordance with my invention;

FIG. 2 is a right side view of a fishing reel shown in FIG. 1;

FIG. 3 is a rear view of a fishing reel shown in FIG. 1;

FIG. 4 is a top view of a fishing reel shown in FIG. 1;

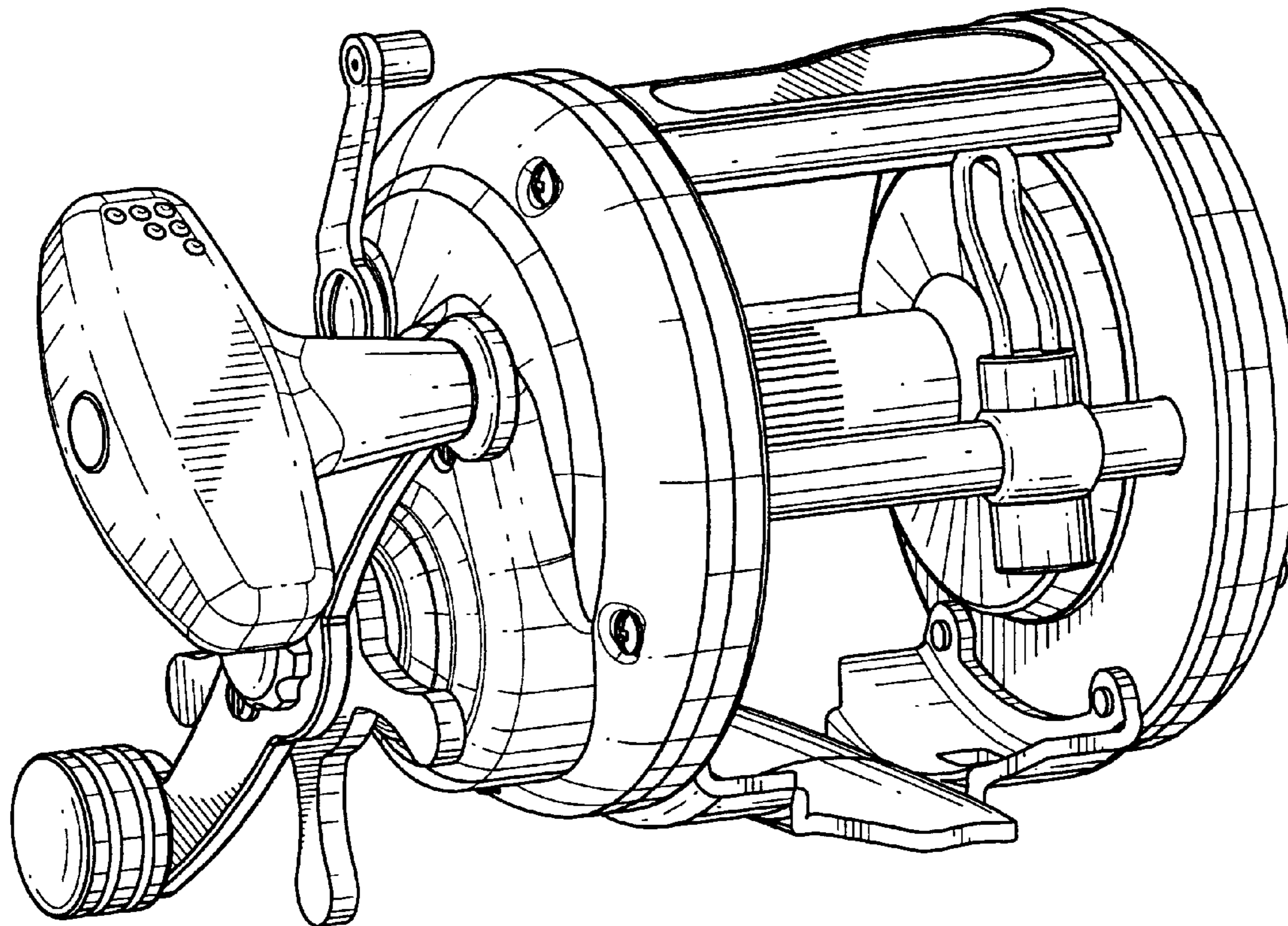
FIG. 5 is a left side view of a fishing reel shown in FIG. 1;

FIG. 6 is a bottom view of a fishing reel shown in FIG. 1;

and,

FIG. 7 is a front view of a fishing reel shown in FIG. 1.

**1 Claim, 7 Drawing Sheets**



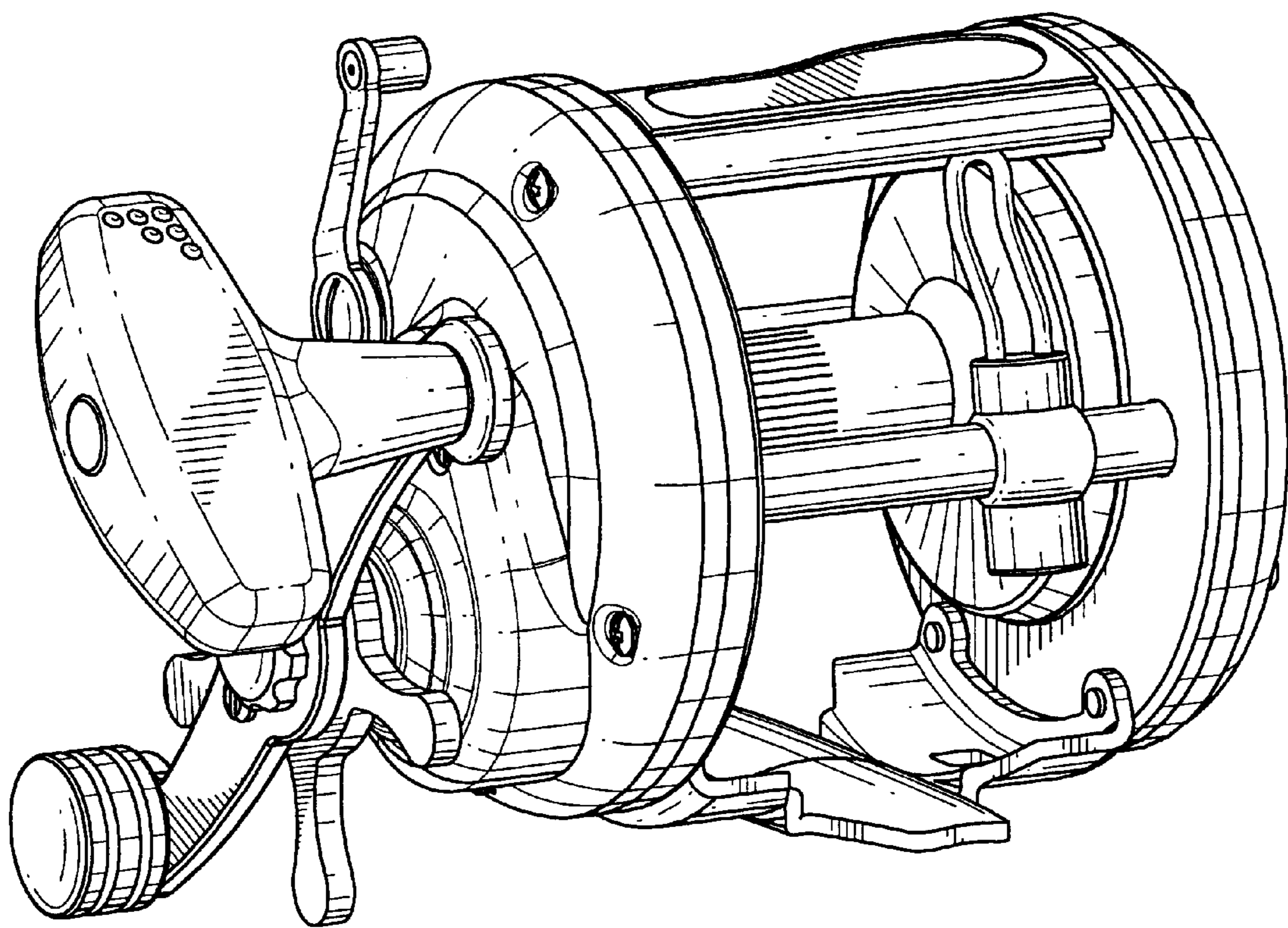


FIG. 1

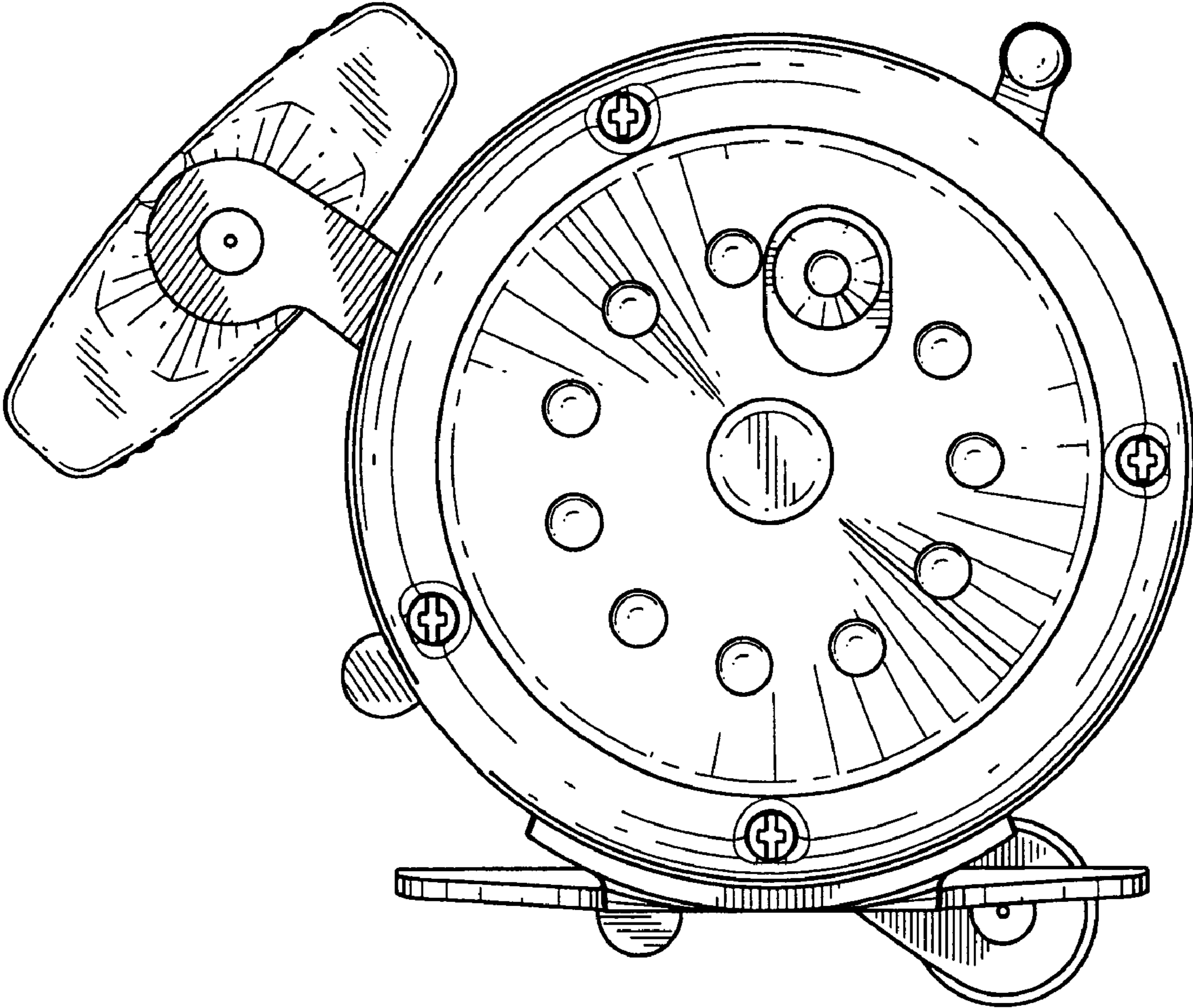


FIG. 2

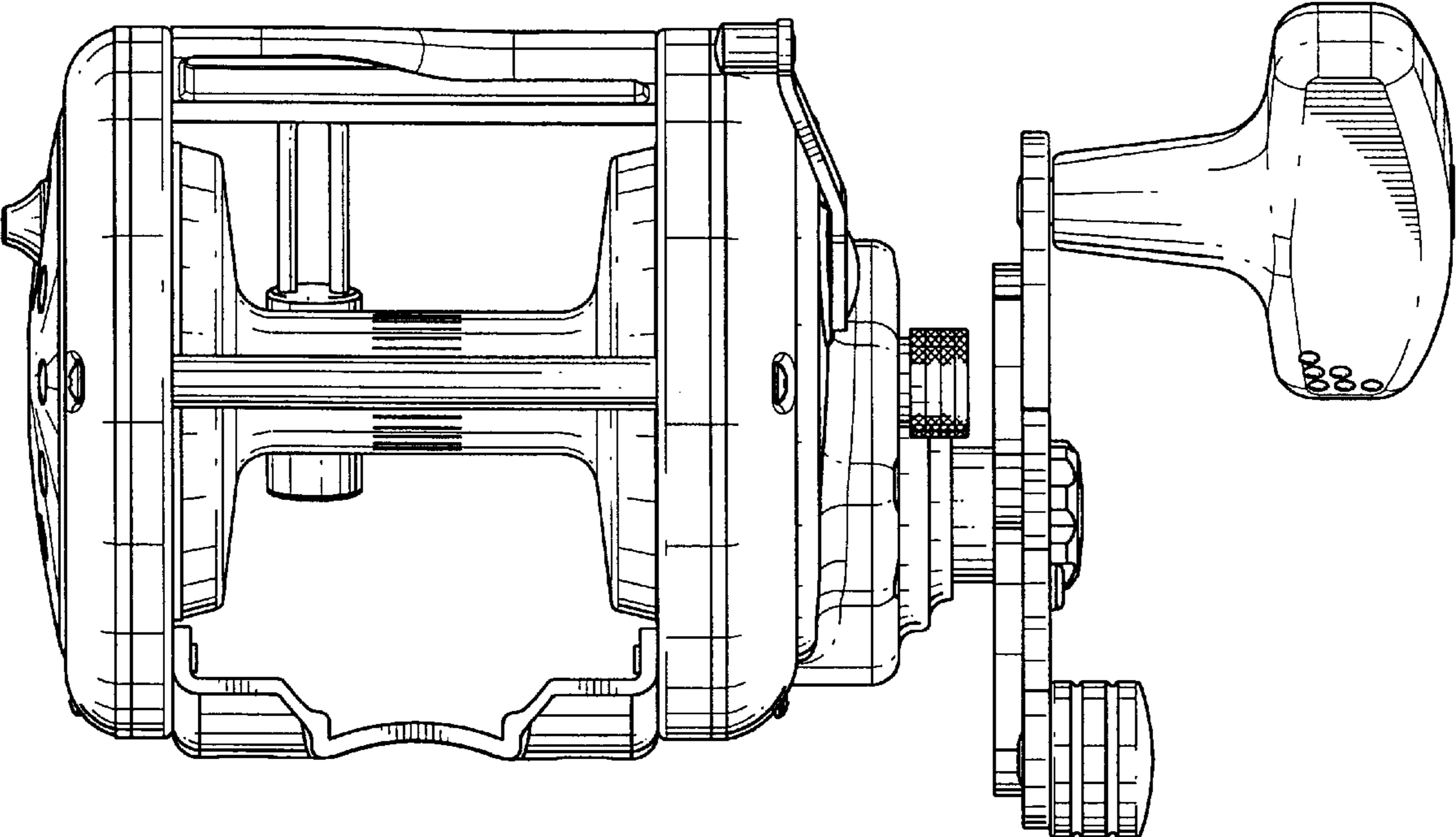


FIG. 3

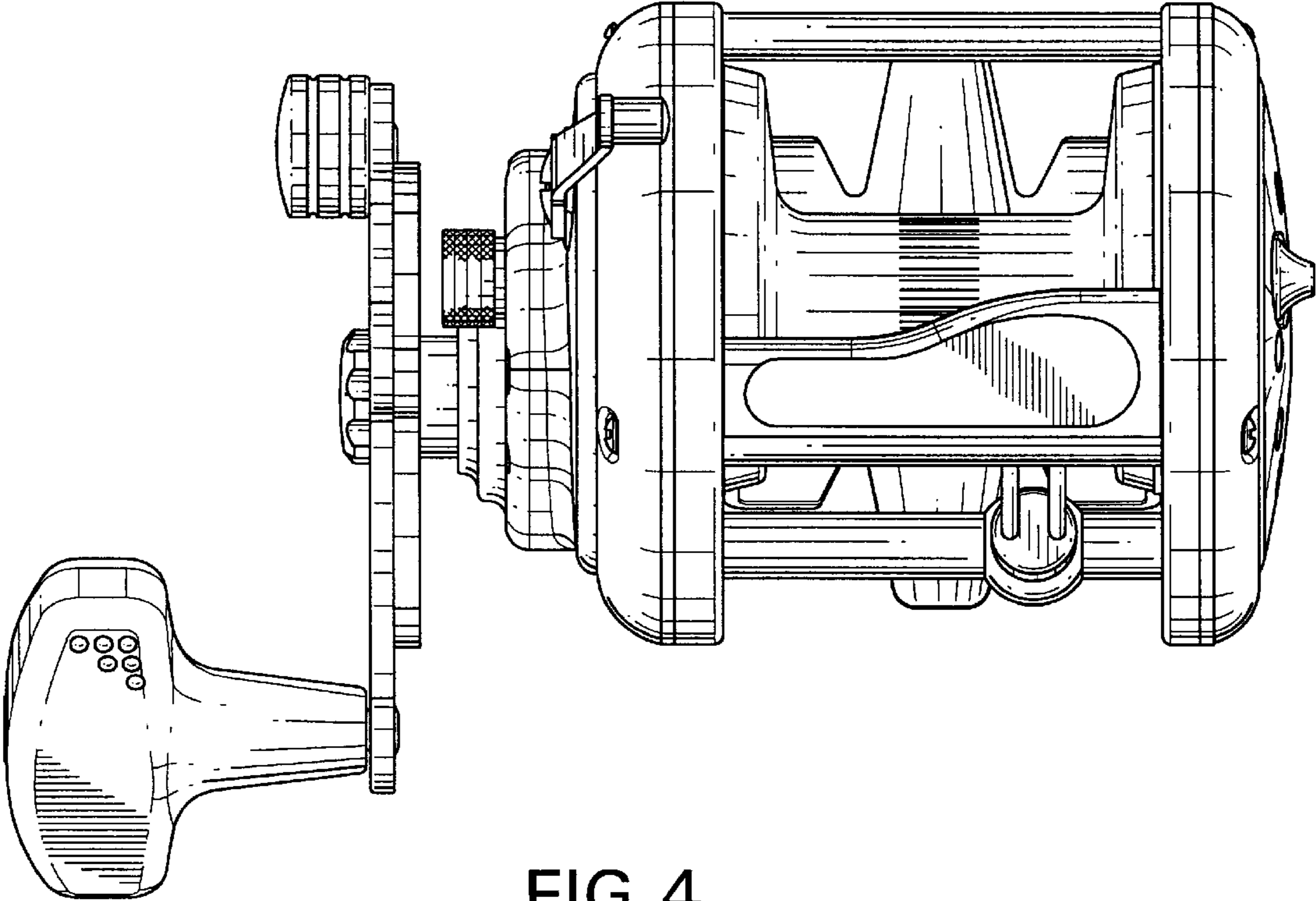


FIG. 4

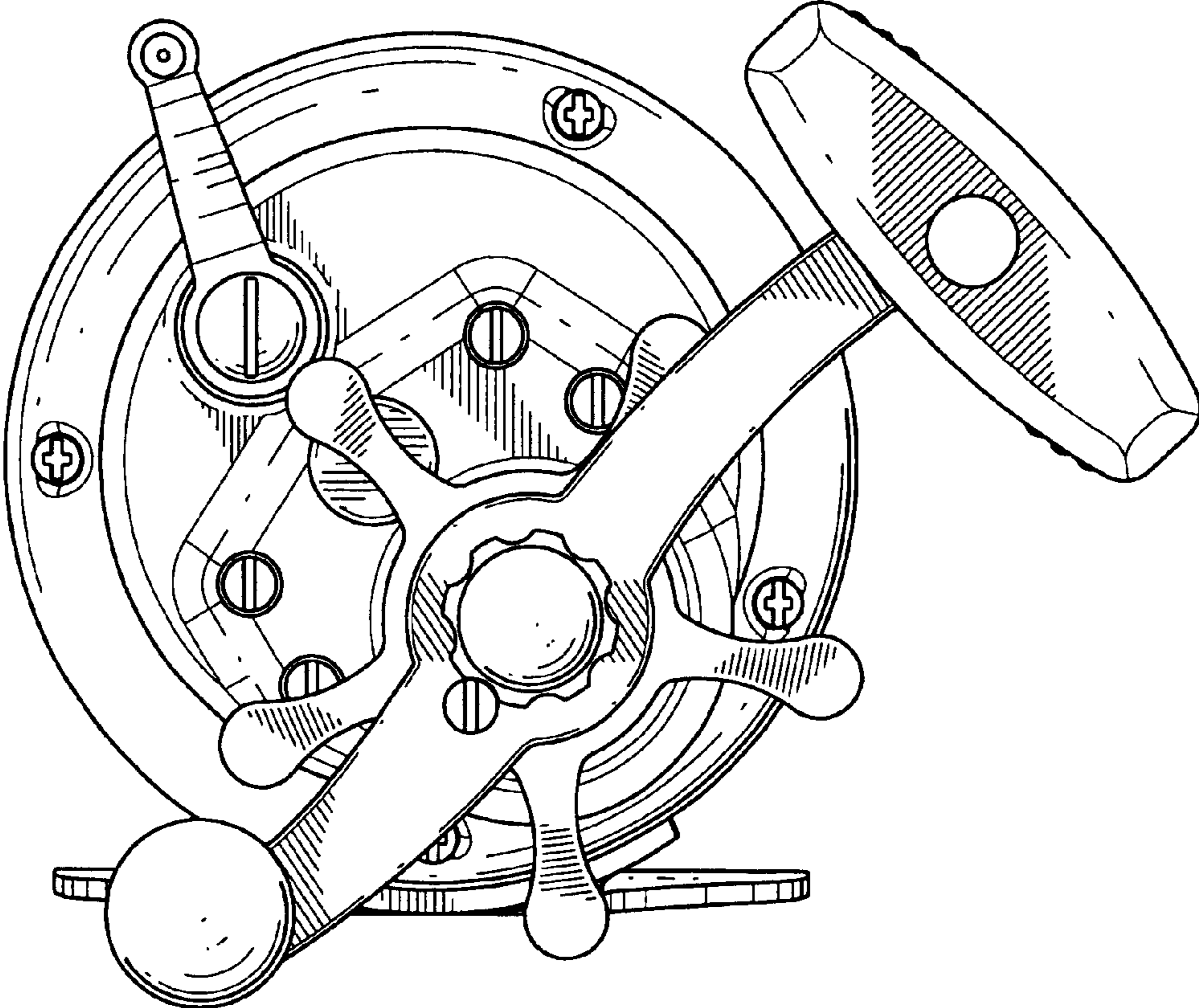


FIG. 5

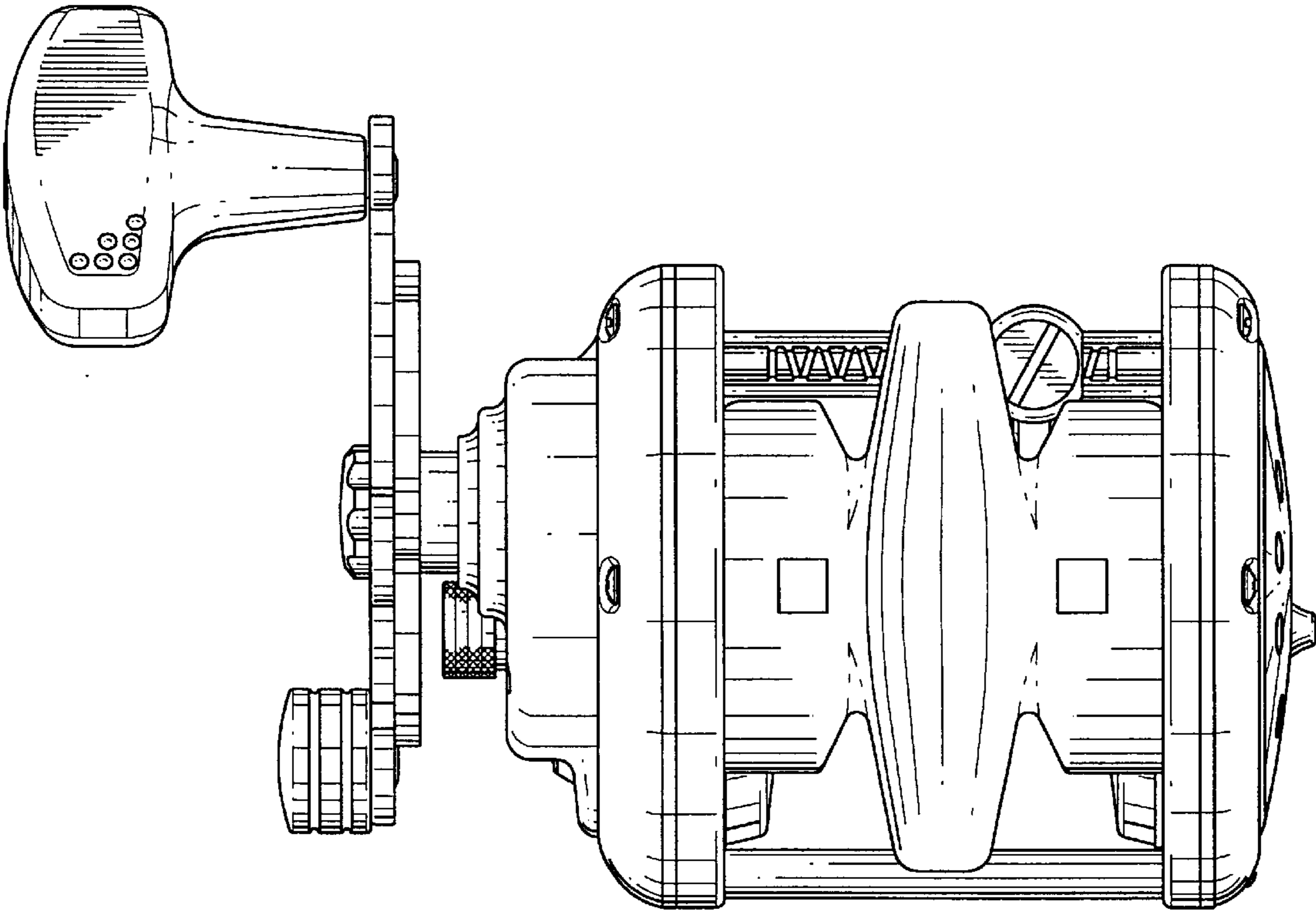


FIG. 6

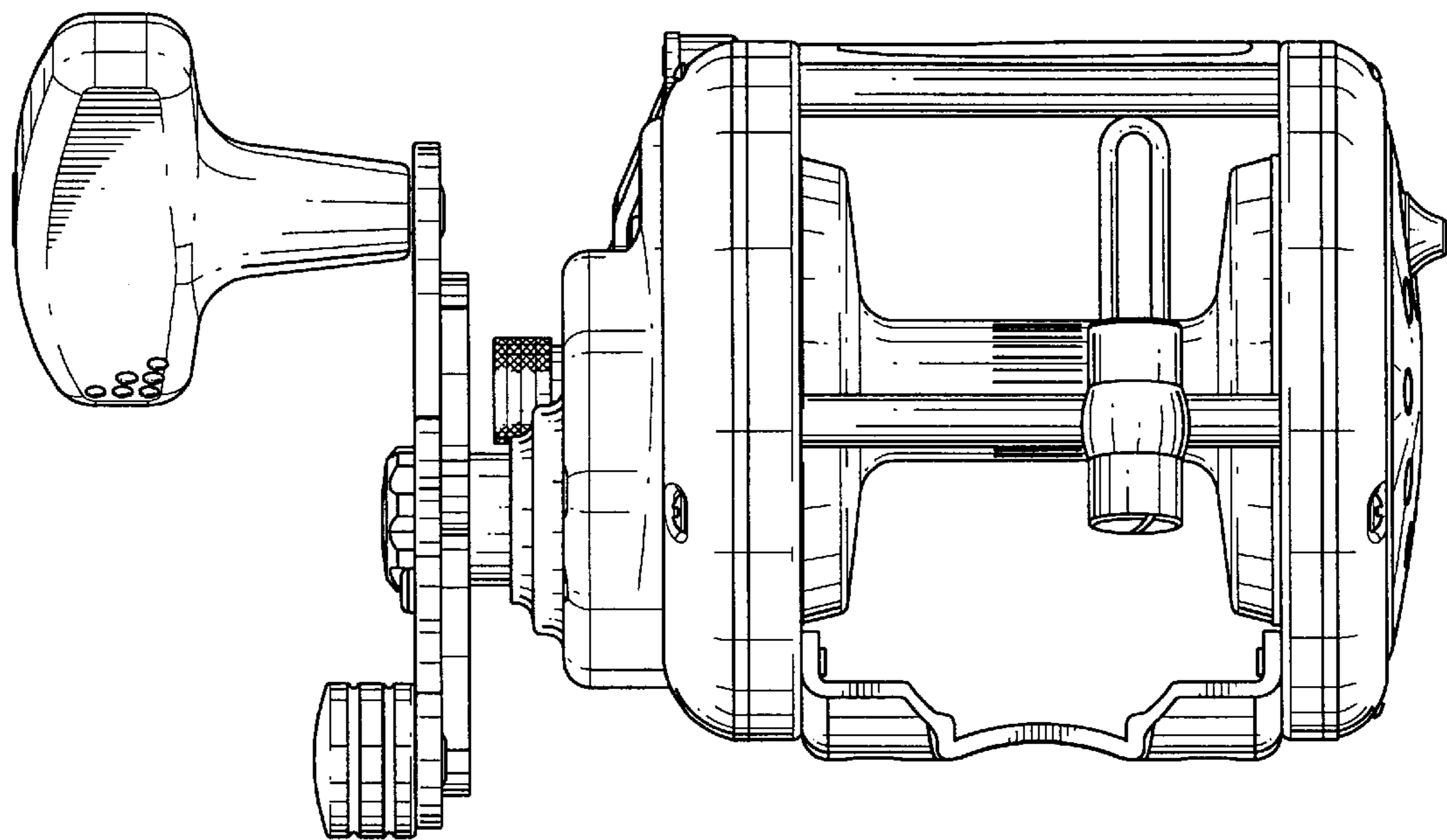


FIG. 7