



US00D502751S

(12) **United States Design Patent** (10) **Patent No.:** **US D502,751 S**
Lukasiewicz (45) **Date of Patent:** **** Mar. 8, 2005**

(54) **REAR PORTION OF GOLF CLUB HEAD**

(75) Inventor: **Robert Lukasiewicz**, Willow Springs, IL (US)

(73) Assignee: **Natural Golf Corporation**, Prospect, IL (US)

(**) Term: **14 Years**

(21) Appl. No.: **29/192,562**

(22) Filed: **Oct. 27, 2003**

(51) **LOC (7) Cl.** **21-02**

(52) **U.S. Cl.** **D21/759**

(58) **Field of Search** D21/747-751,
D21/759; 473/324-331, 350

(56) **References Cited**

U.S. PATENT DOCUMENTS

5,048,834	A	*	9/1991	Gorman	473/350
D429,511	S	*	8/2000	Adams et al.	D21/747
D441,821	S	*	5/2001	Turner	D21/747
D454,606	S	*	3/2002	Helmstetter et al.	D21/747
D454,932	S	*	3/2002	Mahaffey et al.	D21/747
D468,787	S	*	1/2003	Oosthuizen	D21/747
D474,822	S	*	5/2003	Cleveland et al.	D21/747
D491,620	S	*	6/2004	Nishitani	D21/747

OTHER PUBLICATIONS

Natural Golf, "Pre-Built P3 Performance Irons Set of 8," Website catalog.
Natural Golf Corporation, "Pre-built Original Cavity Back Irons Set," Website catalog.

Natural Golf Corporation, "Pre-Built Pipeline Irons Set of 8," Website catalog, p. 1.

"Yonex-V-Mass Tour Irons 3-PW," Website page, www.bestvaluegolf.com.

Precept Golf, "Tour Premium EC603 Irons," Website, www.preceptgolf.com.

"MacGregor-VIP 1025CM Mixed Forged Irons," Website page; www.bestvaluegolf.com.

Yonex, "Add the All-New V-mass 400 irons to your game," Website page, www.yonex.com.

* cited by examiner

Primary Examiner—Mitchell Siegel

(74) *Attorney, Agent, or Firm*—Hahn Loeser & Parks, LLP; W. Edward Crooks, Esq.

(57) **CLAIM**

The ornamental design for a rear portion of golf club head, as shown and described.

DESCRIPTION

FIG. 1 is a rear elevational view of a first embodiment of a rear portion of a golf club head;

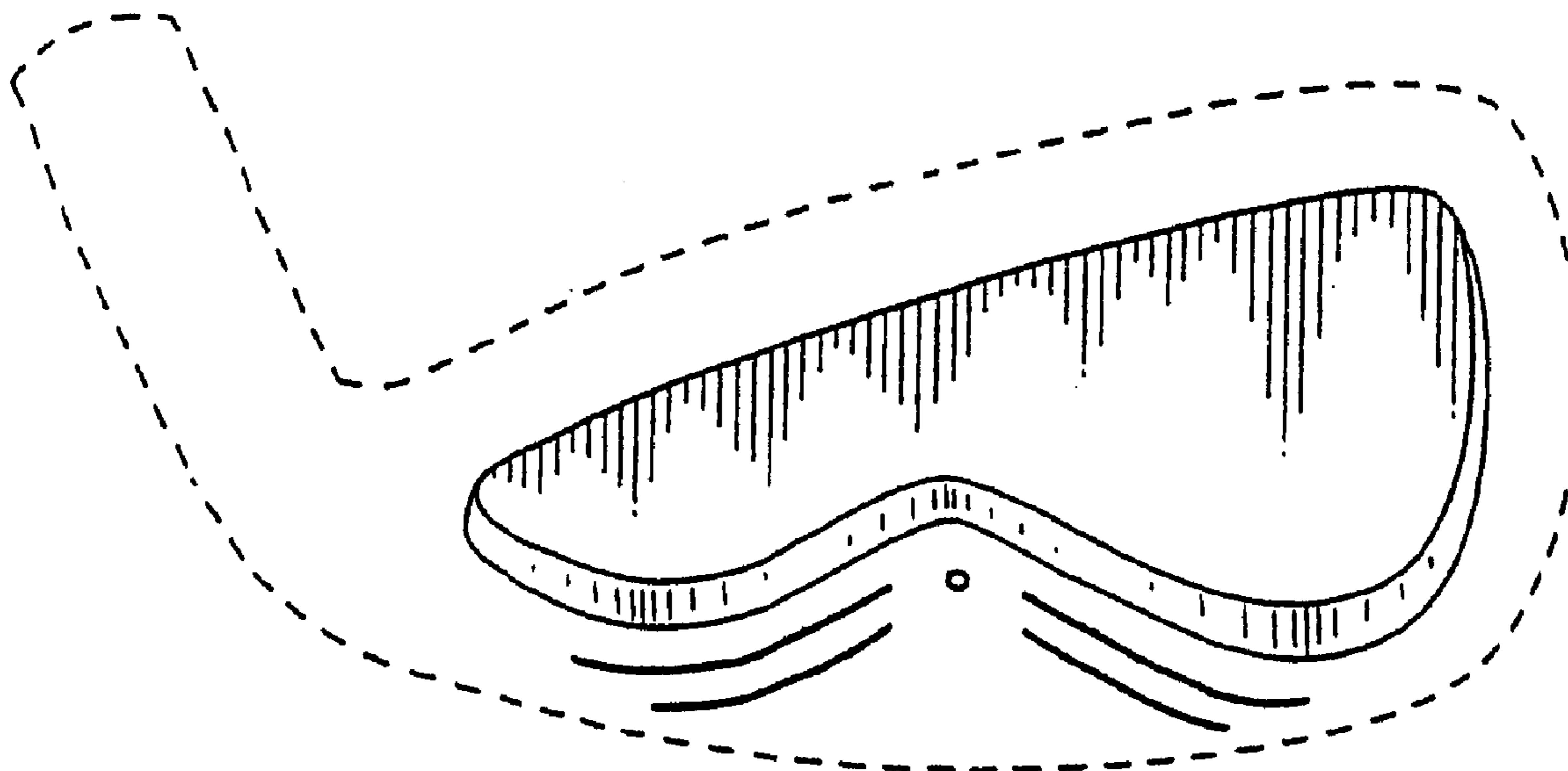
FIG. 2 is a left side view of the embodiment illustrated in FIG. 1, the front elevational view and right side view being unornamented;

FIG. 3 is a rear elevational view of a second embodiment of a rear portion of a golf club head; and,

FIG. 4 is a left side view of the embodiment illustrated in FIG. 3, the front elevational view and right side view being unornamented.

The broken lines shown in the Figures are for illustrative purposes only and form no part of the claimed invention.

1 Claim, 1 Drawing Sheet



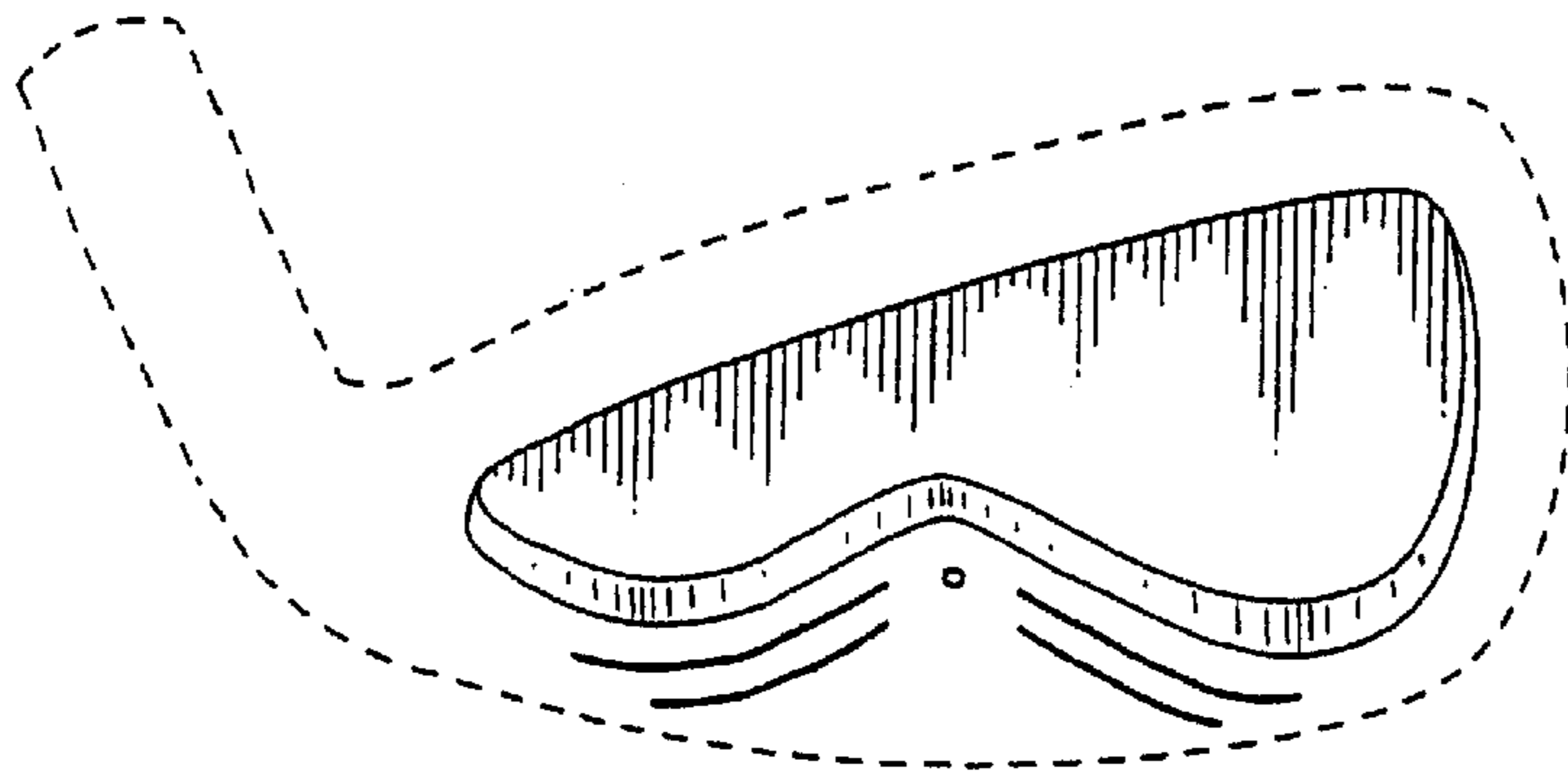


FIG. 1

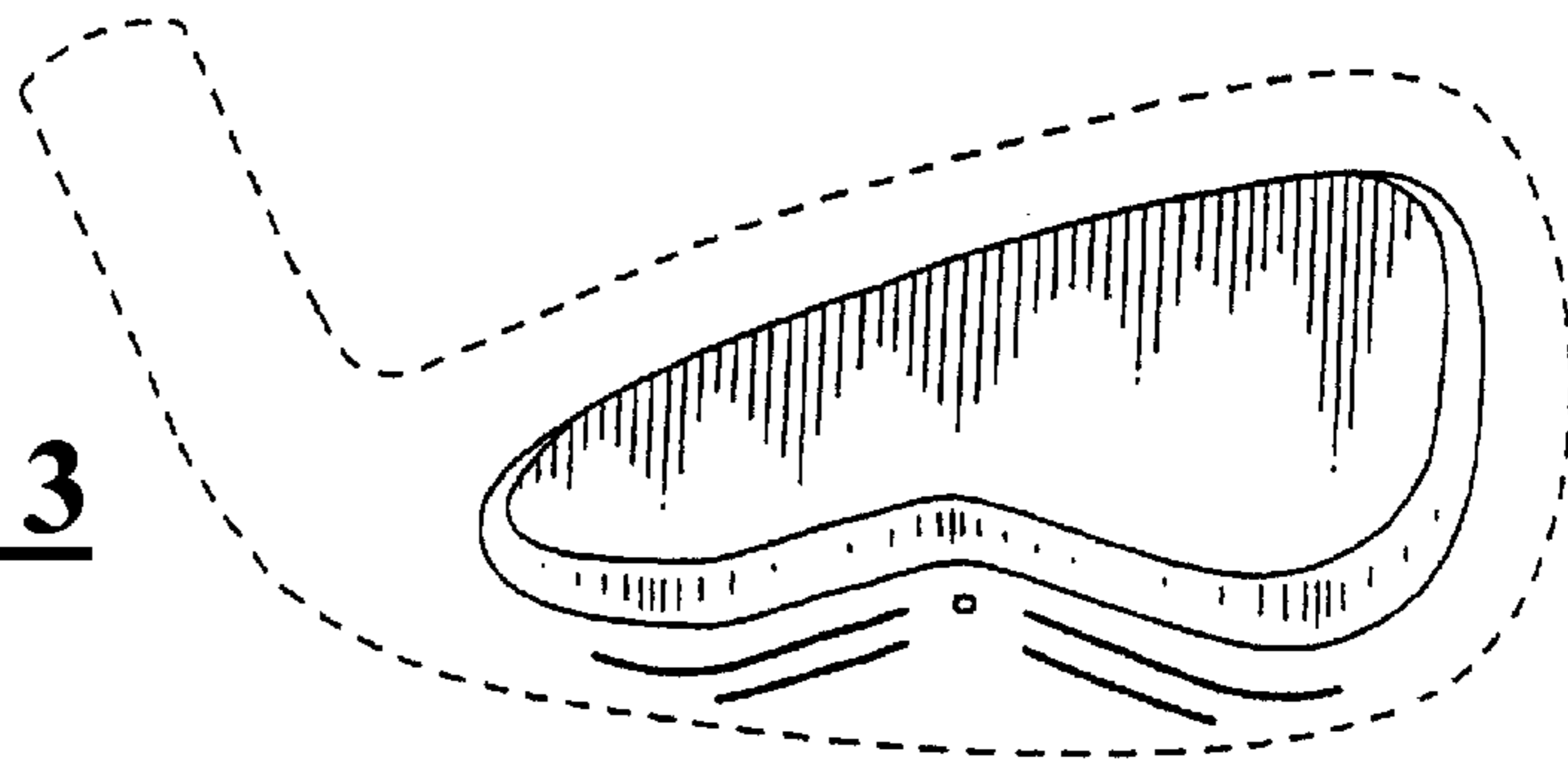


FIG. 3

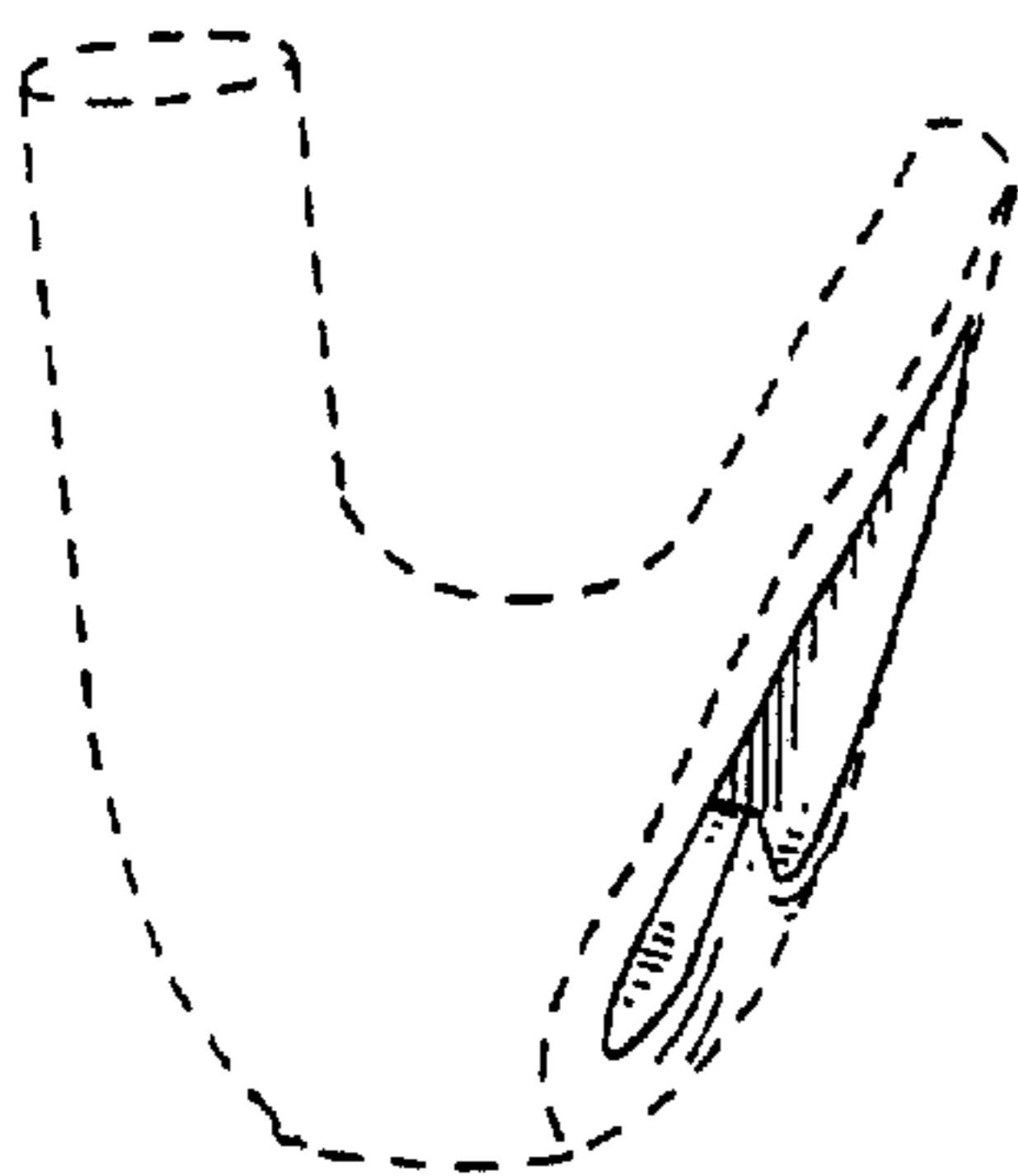


FIG. 2

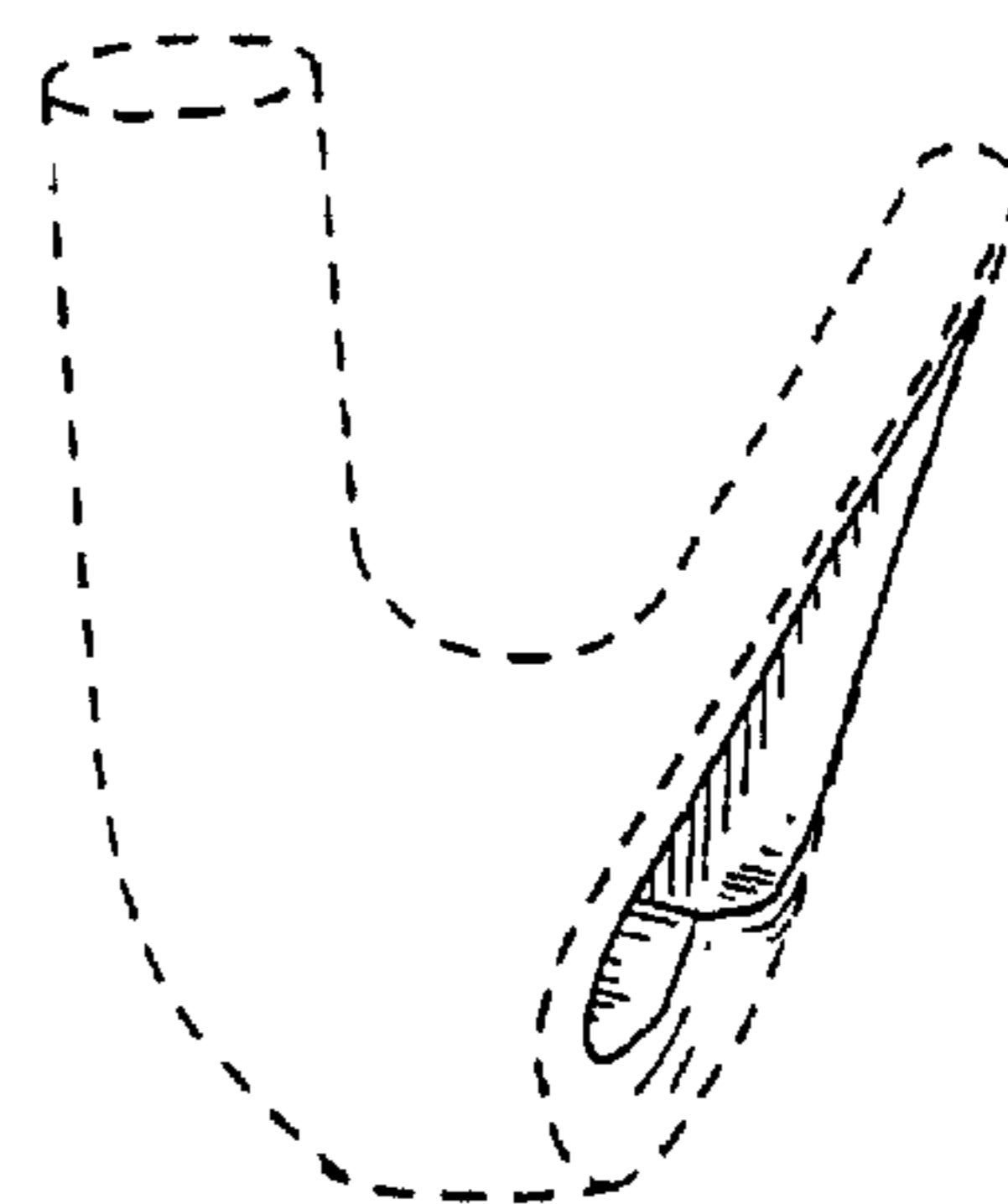


FIG. 4