

US00D502745S

(12) **United States Design Patent**
Tabor et al.

(10) **Patent No.: US D502,745 S**
(45) **Date of Patent: ** Mar. 8, 2005**

(54) **KITE**

5,741,168 A * 4/1998 Chen 446/66
6,048,246 A * 4/2000 Forti et al. 446/62
D482,408 S * 11/2003 Tabor D21/438

(76) Inventors: **Don Tabor**, 556 Florence St., Imperial Beach, CA (US) 91932; **Francis Alonso**, 30765 Pacific Coast Hwy., Malibu, CA (US) 90265

(**) Term: **14 Years**

(21) Appl. No.: **29/202,442**

(22) Filed: **Mar. 31, 2004**

(51) **LOC (7) Cl.** **21-01**

(52) **U.S. Cl.** **D21/445**

(58) **Field of Search** D21/436-454;
D12/321; 446/34, 61-68; 244/153 R, 154,
155 R, 155 A, 153 A, 900-903

(56) **References Cited**

U.S. PATENT DOCUMENTS

D149,001 S * 3/1948 Lang D21/438
D149,848 S * 6/1948 Struck D21/447
D196,057 S * 8/1963 Levine D21/438
3,963,200 A * 6/1976 Arnstein 244/153 R
4,180,221 A * 12/1979 Harris 244/13
D253,833 S * 1/1980 Miller D21/445
D274,827 S * 7/1984 Belloff D21/445
4,557,443 A * 12/1985 Christoffel, Jr. 244/153 R
4,807,832 A * 2/1989 Tabor 244/153 R
5,573,208 A * 11/1996 Cassagnes 244/153 R

OTHER PUBLICATIONS

Hong Kong Toys Feb. 2001, p. 322: kites indicated by arrows A, B and C.*

Hong Kong Toys Jan. 2002, p. 407: Nylon Kites, items 9003-9005 and RS1341.*

Hong Kong Toys Jan. 2003, p. 401: kite indicated by arrow.*

* cited by examiner

Primary Examiner—Stella Reid

Assistant Examiner—C. Tuttle

(74) *Attorney, Agent, or Firm*—Louis J. Bachand

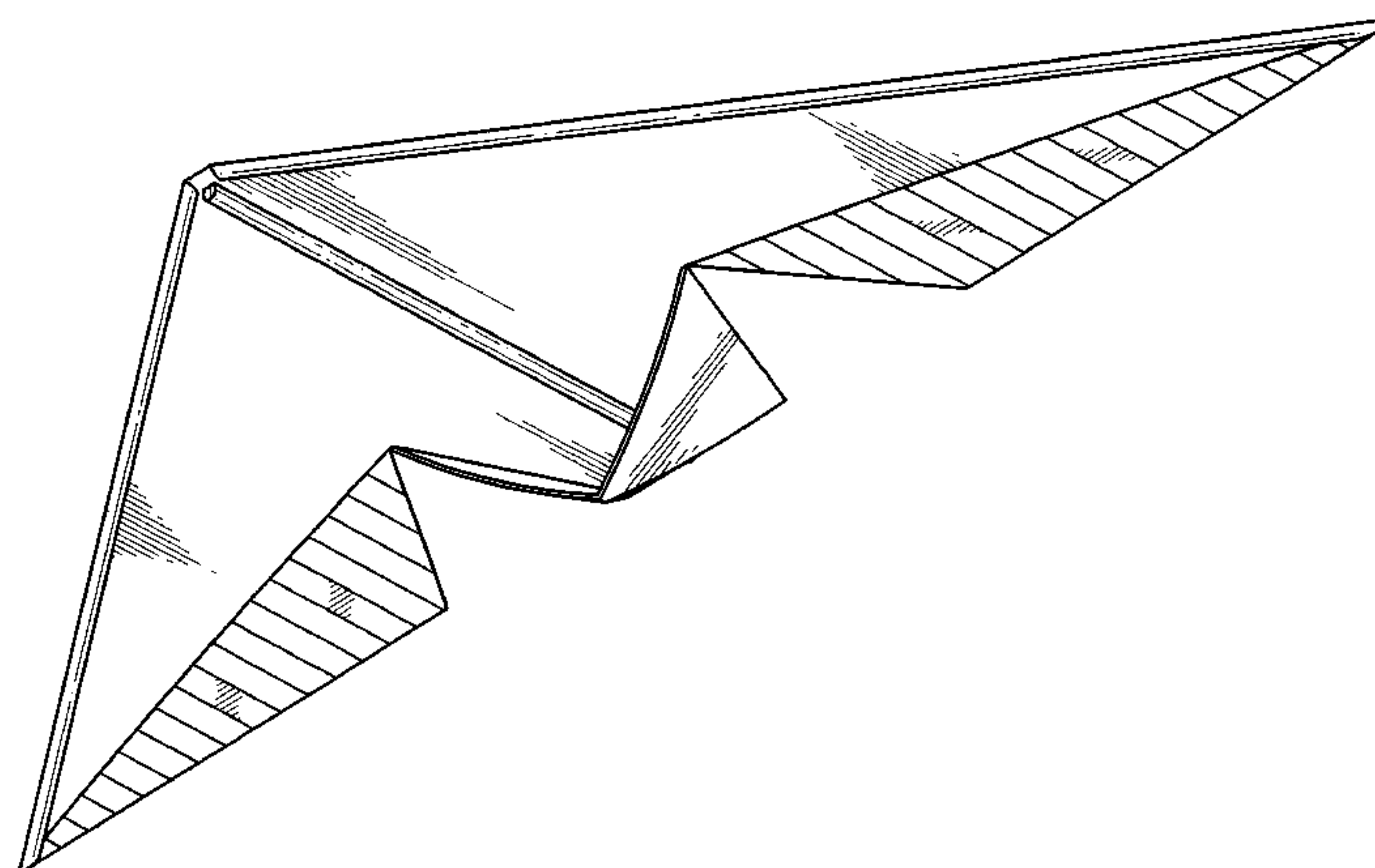
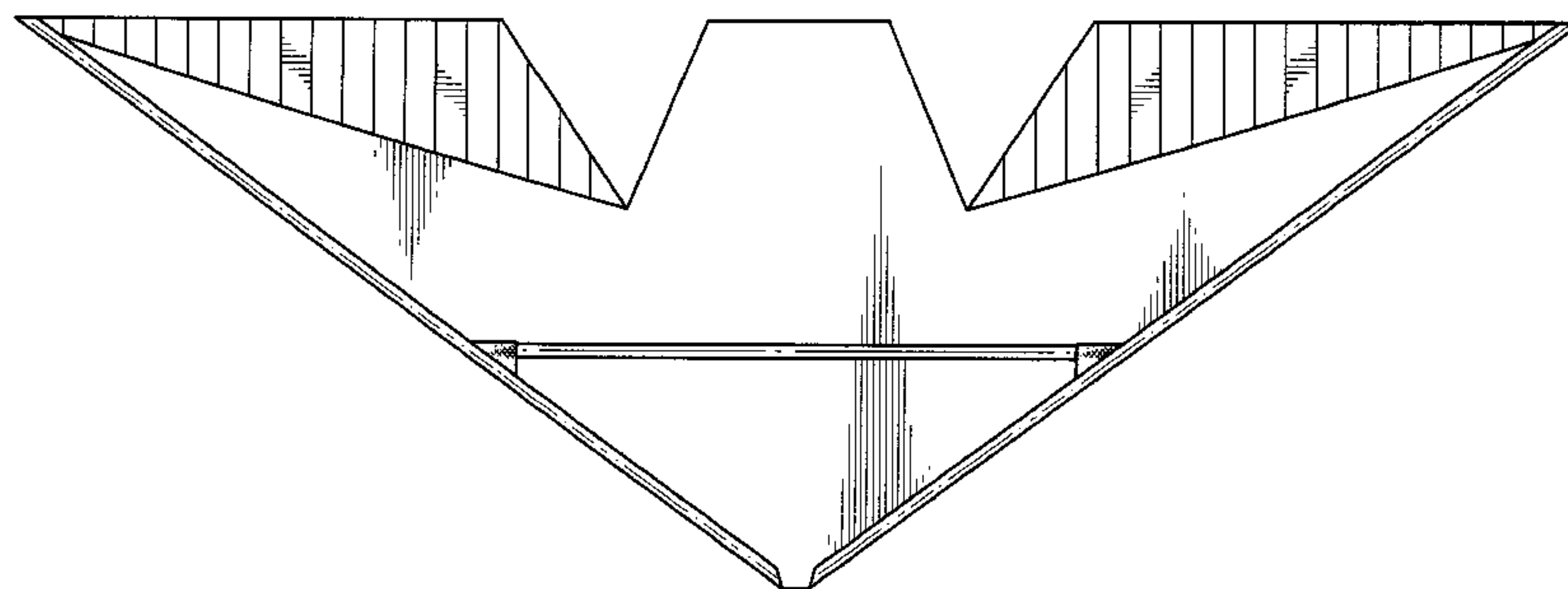
(57) **CLAIM**

We claim the ornamental design for a kite, as shown and described.

DESCRIPTION

FIG. 1 is a top plan view of my kite design;
FIG. 2 is a front elevational view thereof;
FIG. 3 is a right side elevational view thereof and is a mirror image of the left side elevational view thereof;
FIG. 4 is a rear elevational view thereof;
FIG. 5 is a bottom plan view thereof; and,
FIG. 6 is a perspective view thereof.

1 Claim, 3 Drawing Sheets



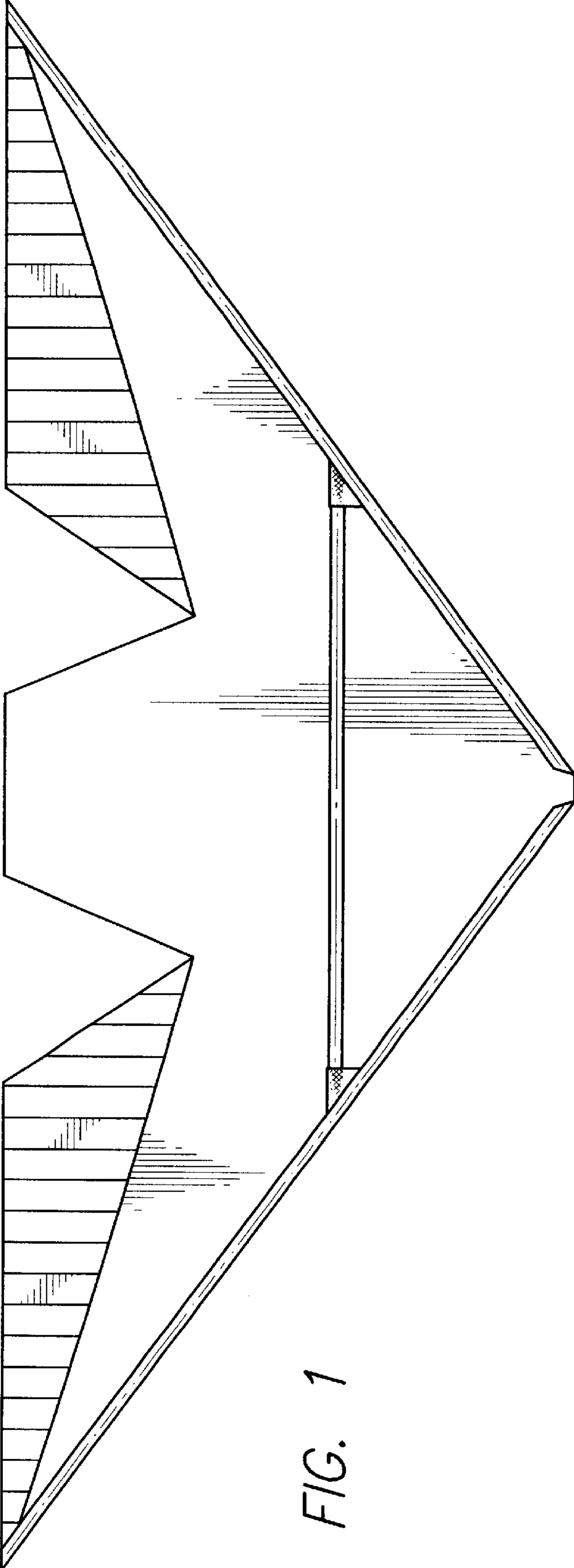


FIG. 1

FIG. 2

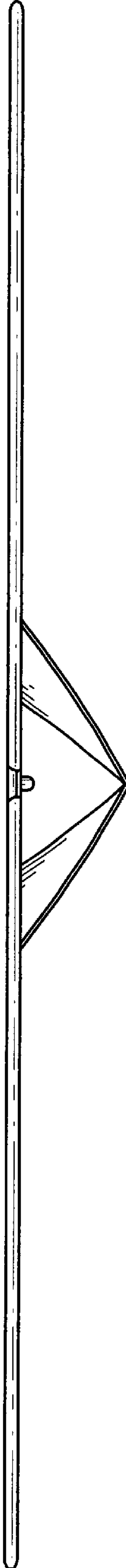


FIG. 3

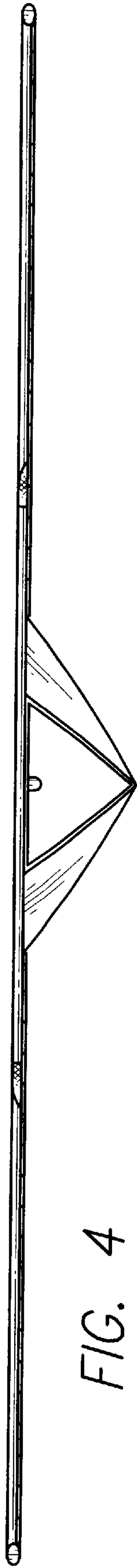


FIG. 4

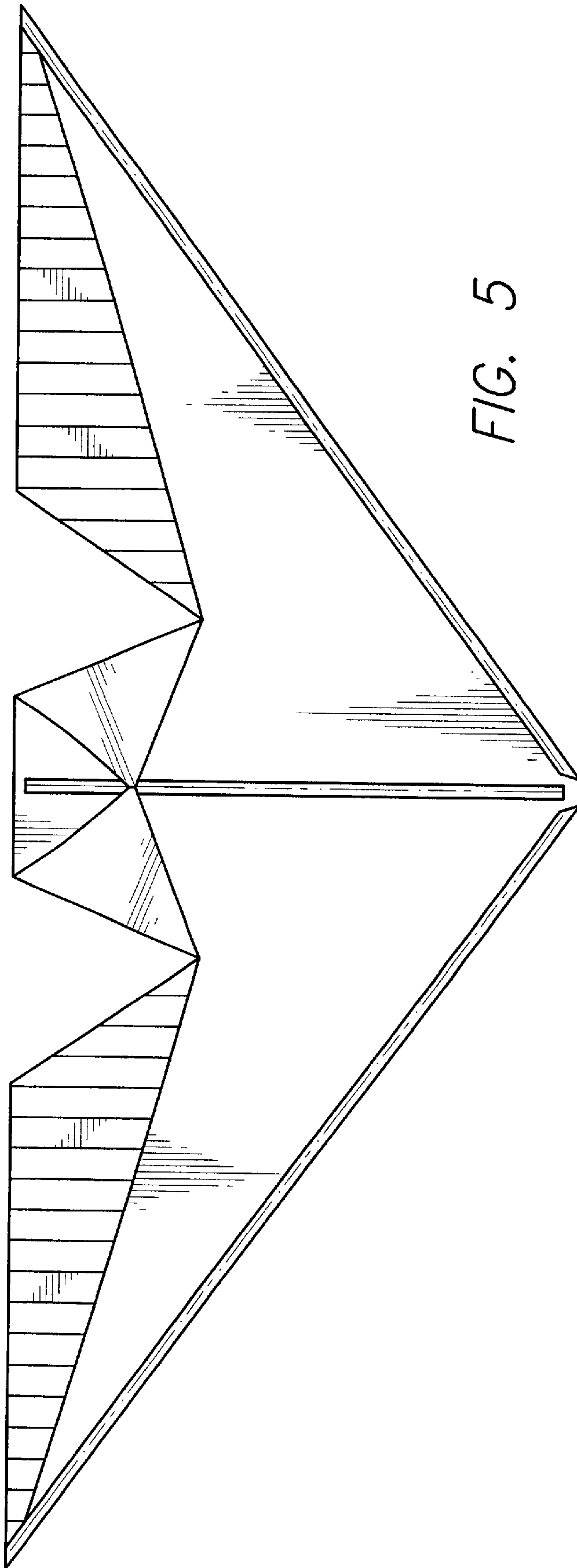


FIG. 5

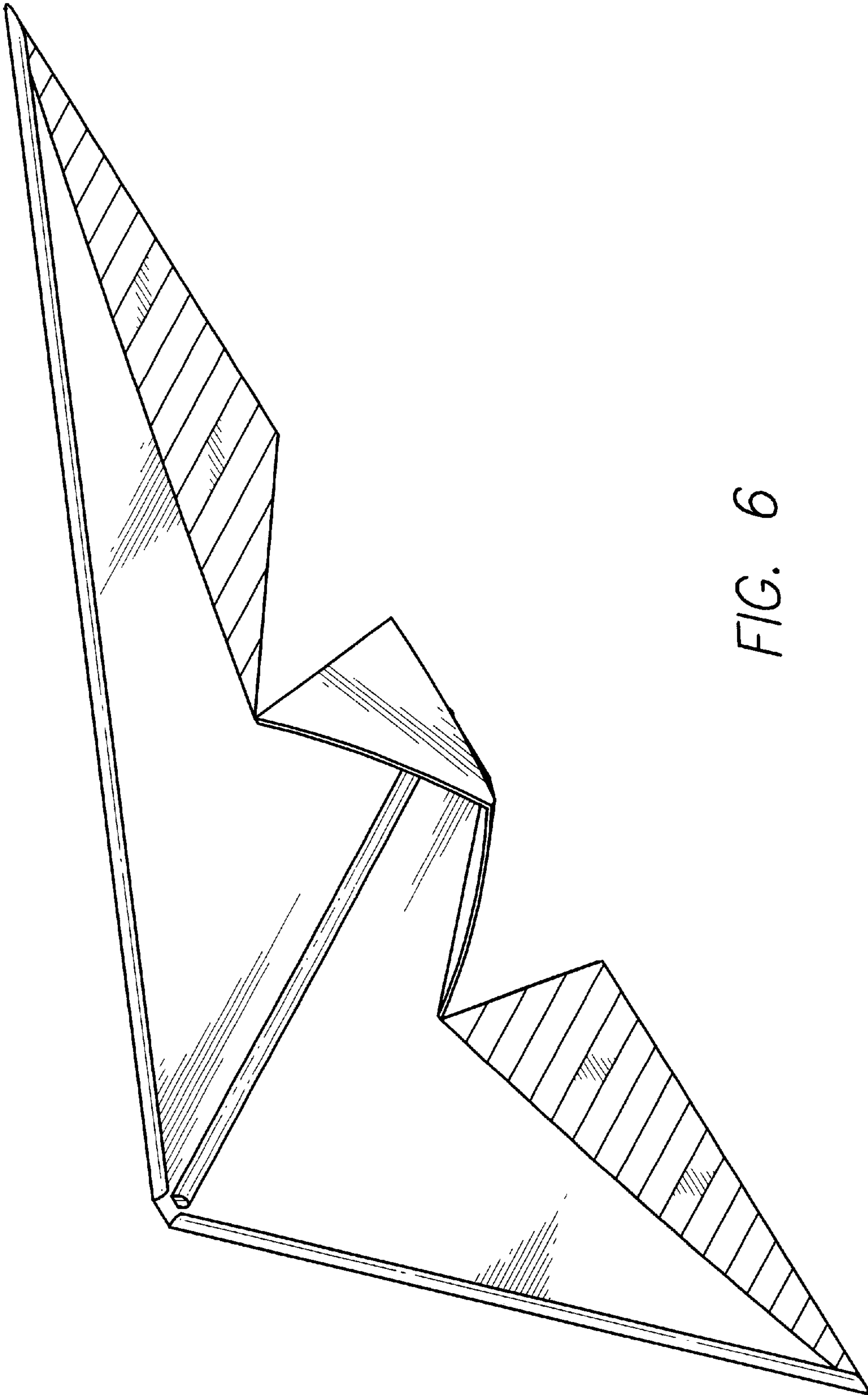


FIG. 6