

US00D502739S

(12) **United States Design Patent**  
**Shova et al.**

(10) **Patent No.:** **US D502,739 S**  
(45) **Date of Patent:** **\*\* Mar. 8, 2005**

- (54) **MATERIAL DISPENSER**
- (75) Inventors: **Brian Martin Shova**, Columbus, OH (US); **Jamison Float**, Westerville, OH (US); **James Huang Lua**, Barberton, OH (US); **Donald James Staufenberg**, Dublin, OH (US)
- (73) Assignee: **Elmer's Product, Inc.**, Columbus, OH (US)
- (\*\*) Term: **14 Years**
- (21) Appl. No.: **29/200,833**
- (22) Filed: **Mar. 4, 2004**
- (51) **LOC (7) Cl.** ..... **19-06**
- (52) **U.S. Cl.** ..... **D19/66; D19/43; D19/50; D19/56**
- (58) **Field of Search** ..... **D19/35, 36, 41-51, D19/53-58, 66, 71, 81-85; D9/338, 337; 401/4, 116, 176, 186, 196, 202, 259-266; 15/105.51, 209.1, 424-434**

- D462,990 S \* 9/2002 Hwang ..... D19/43
- D463,495 S \* 9/2002 Sasada ..... D19/66
- D465,519 S \* 11/2002 Kennedy et al. .... D19/43
- D482,070 S \* 11/2003 Kennedy ..... D19/54
- D484,538 S \* 12/2003 Daida et al. .... D19/43
- D487,771 S \* 3/2004 Hwang ..... D19/43
- D493,484 S \* 7/2004 Shova et al. .... D19/43

\* cited by examiner

*Primary Examiner*—Martie K. Holtje

(74) *Attorney, Agent, or Firm*—McNees Wallace & Nurick LLC

(57) **CLAIM**

The ornamental design for a material dispenser, as shown and described.

**DESCRIPTION**

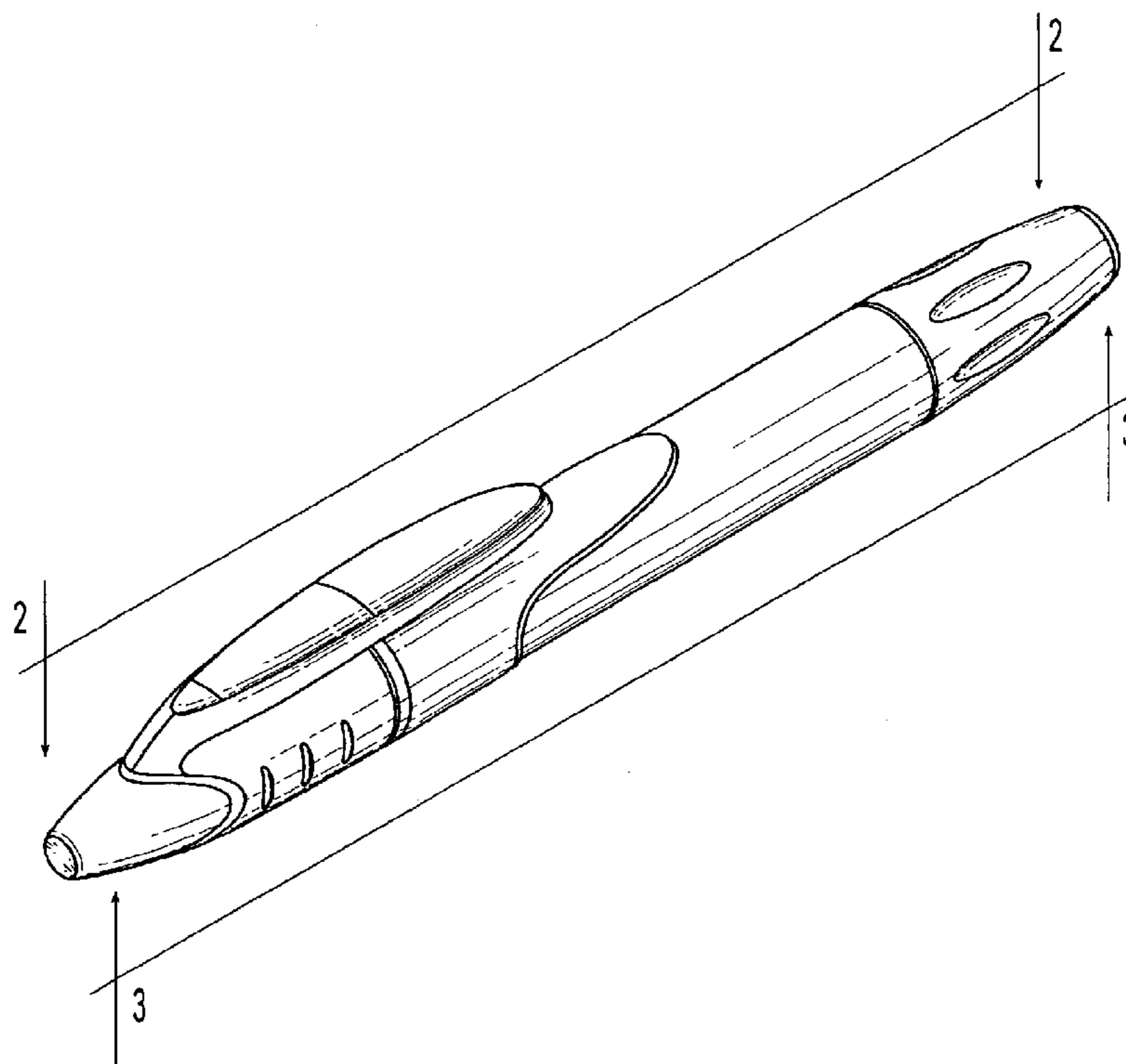
FIG. 1 is a perspective view of a material dispenser of the present invention;  
 FIG. 2 is a front elevational view thereof, taken in the direction of arrows 2—2 in FIG. 1;  
 FIG. 3 is a rear elevational view thereof, taken in the direction of arrows 3—3 in FIG. 1;  
 FIG. 4 is a side elevational view thereof, taken in the direction of arrows 4—4 in FIG. 3;  
 FIG. 5 is an end elevational view thereof, taken in the direction of arrows 5—5 in FIG. 2; and,  
 FIG. 6 is an end elevational view thereof, taken in the direction of arrows 6—6 in FIG. 2.

**1 Claim, 3 Drawing Sheets**

(56) **References Cited**

**U.S. PATENT DOCUMENTS**

- D182,207 S \* 2/1958 Sherman ..... D19/51
- 5,066,156 A \* 11/1991 Petrillo et al. .... 401/213
- D401,280 S \* 11/1998 Chevalier et al. .... D19/57
- D436,127 S \* 1/2001 Hung ..... D19/43
- D441,398 S \* 5/2001 Owen et al. .... D19/43
- D461,500 S \* 8/2002 Cooper et al. .... D19/43



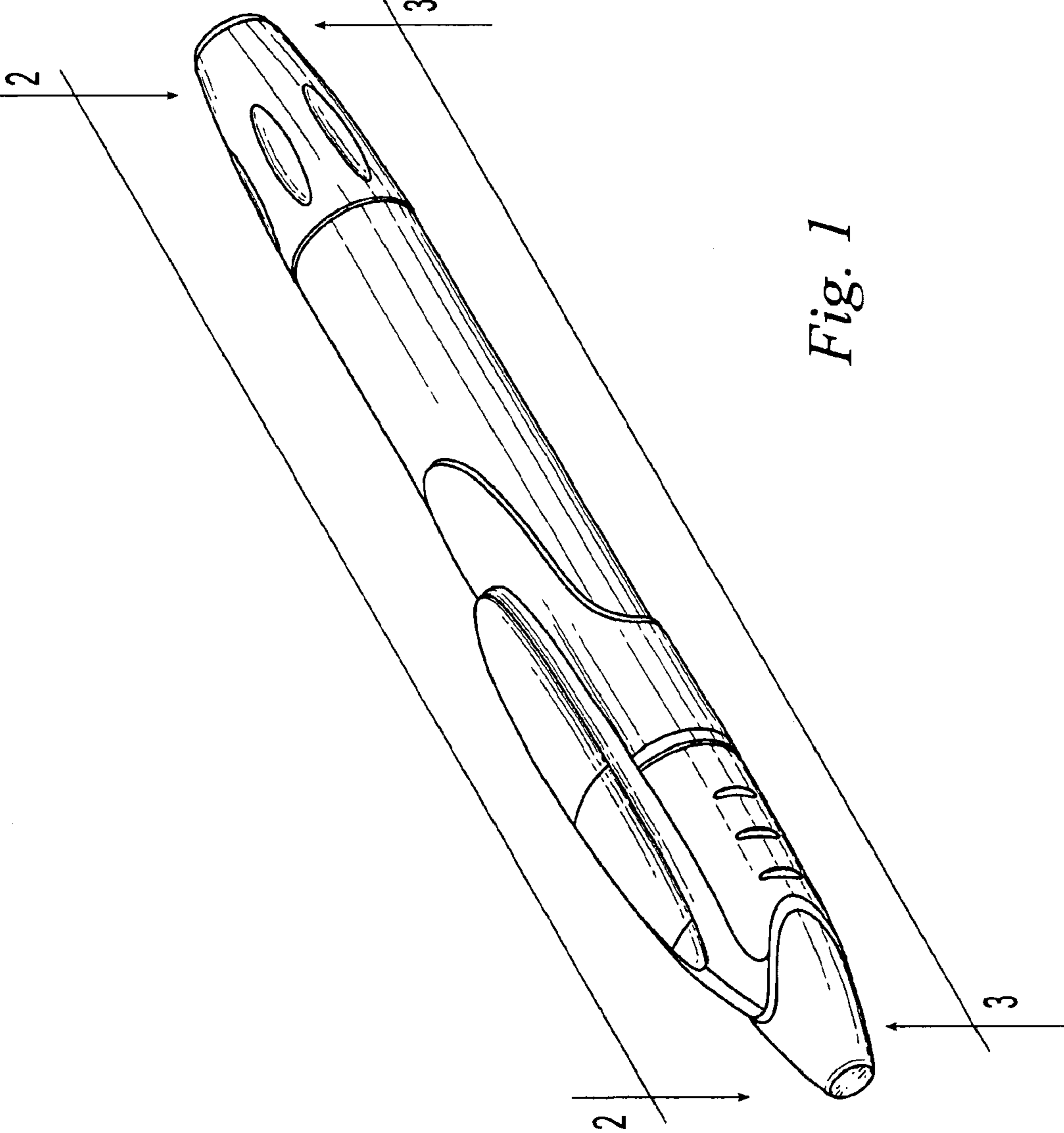


Fig. 1

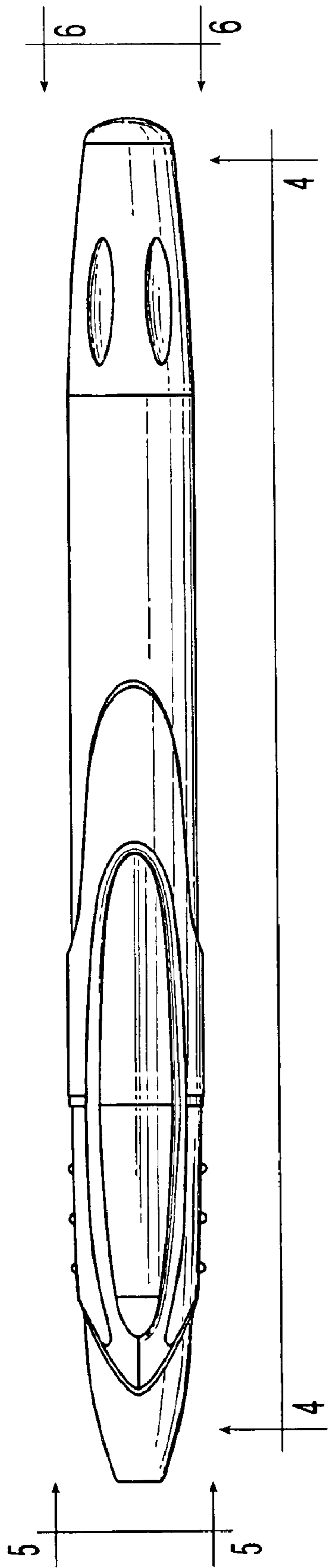


Fig. 2

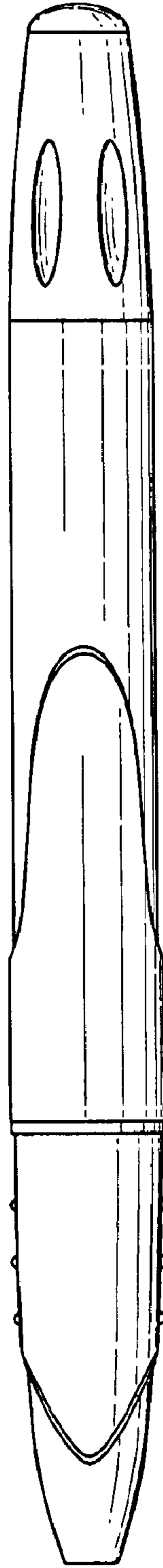


Fig. 3

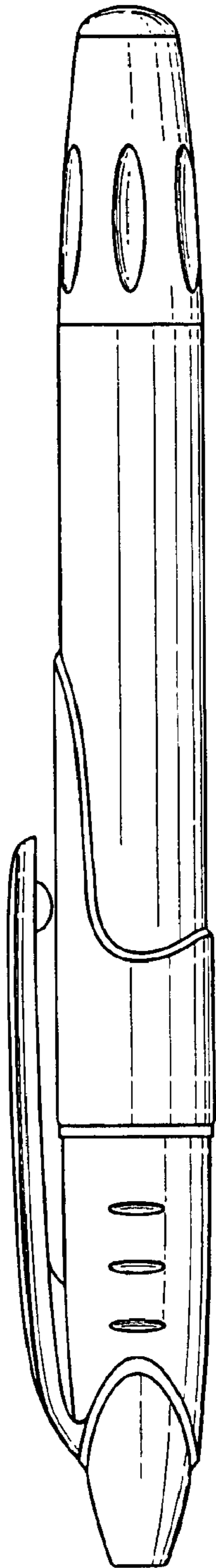


Fig. 4

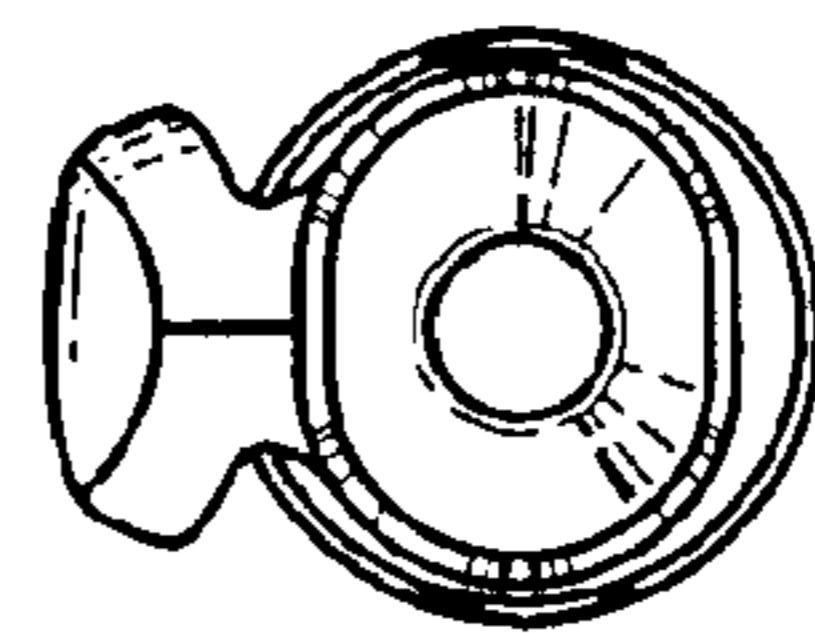


Fig. 5

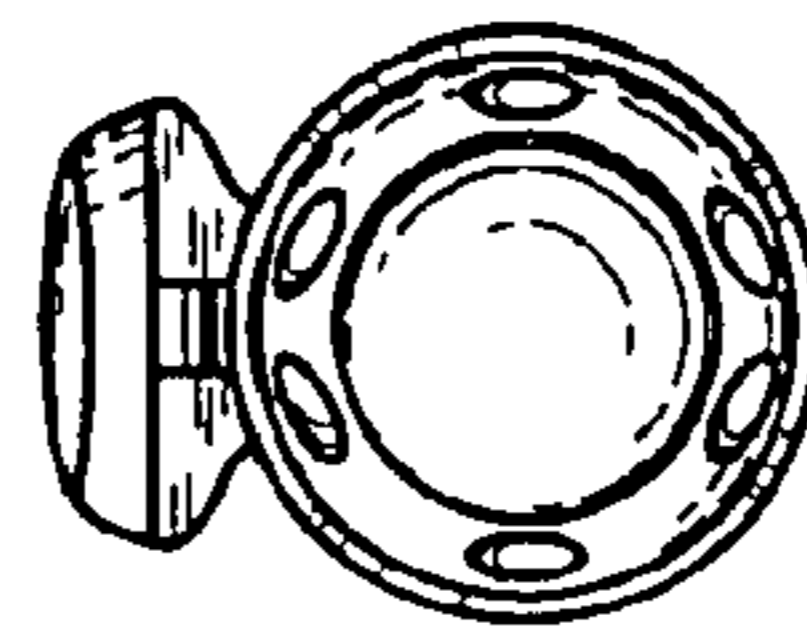


Fig. 6