



US00D502736S

(12) **United States Design Patent**
Chen

(10) **Patent No.:** **US D502,736 S**
(45) **Date of Patent:** **** Mar. 8, 2005**

(54) **COMBINED PEN AND LASER POINTER**

(75) Inventor: **Tony Chen, Keelung (TW)**

(73) Assignee: **Quarter, Inc. (TW)**

(**) Term: **14 Years**

(21) Appl. No.: **29/206,123**

(22) Filed: **May 26, 2004**

(51) **LOC (7) Cl.** **19-06**

(52) **U.S. Cl.** **D19/36; 49/56; D26/38**

(58) **Field of Search** **D26/38, 51; D19/35, D19/36, 41-51, 53-58, 81-85; 401/6, 7, 88, 98, 52, 202, 99-110, 111-117, 209, 213, 195, 243-247; 362/118; 368/10; 24/10 R, 11 R, 11 P, 11 C, 11 F, 11 M, 11 HC, 11 CT**

(56) **References Cited**

U.S. PATENT DOCUMENTS

D229,107 S	*	11/1973	Wakai et al.	D19/49
D252,998 S	*	9/1979	Turner	D19/49
D324,397 S	*	3/1992	von Elder et al.	D19/49
5,193,897 A	*	3/1993	Halsey	362/118
D340,474 S	*	10/1993	Visage	D19/49

D363,309 S	*	10/1995	Carpani et al.	D19/49
5,617,304 A	*	4/1997	Huang	362/118
5,663,828 A	*	9/1997	Knowles et al.	362/118
D395,918 S	*	7/1998	Rosenbaum	D19/49
D400,921 S	*	11/1998	Ting	D19/36
6,542,437 B1	*	4/2003	Chen	368/10

* cited by examiner

Primary Examiner—Martie K. Holtje

(74) *Attorney, Agent, or Firm*—Raymond Sun

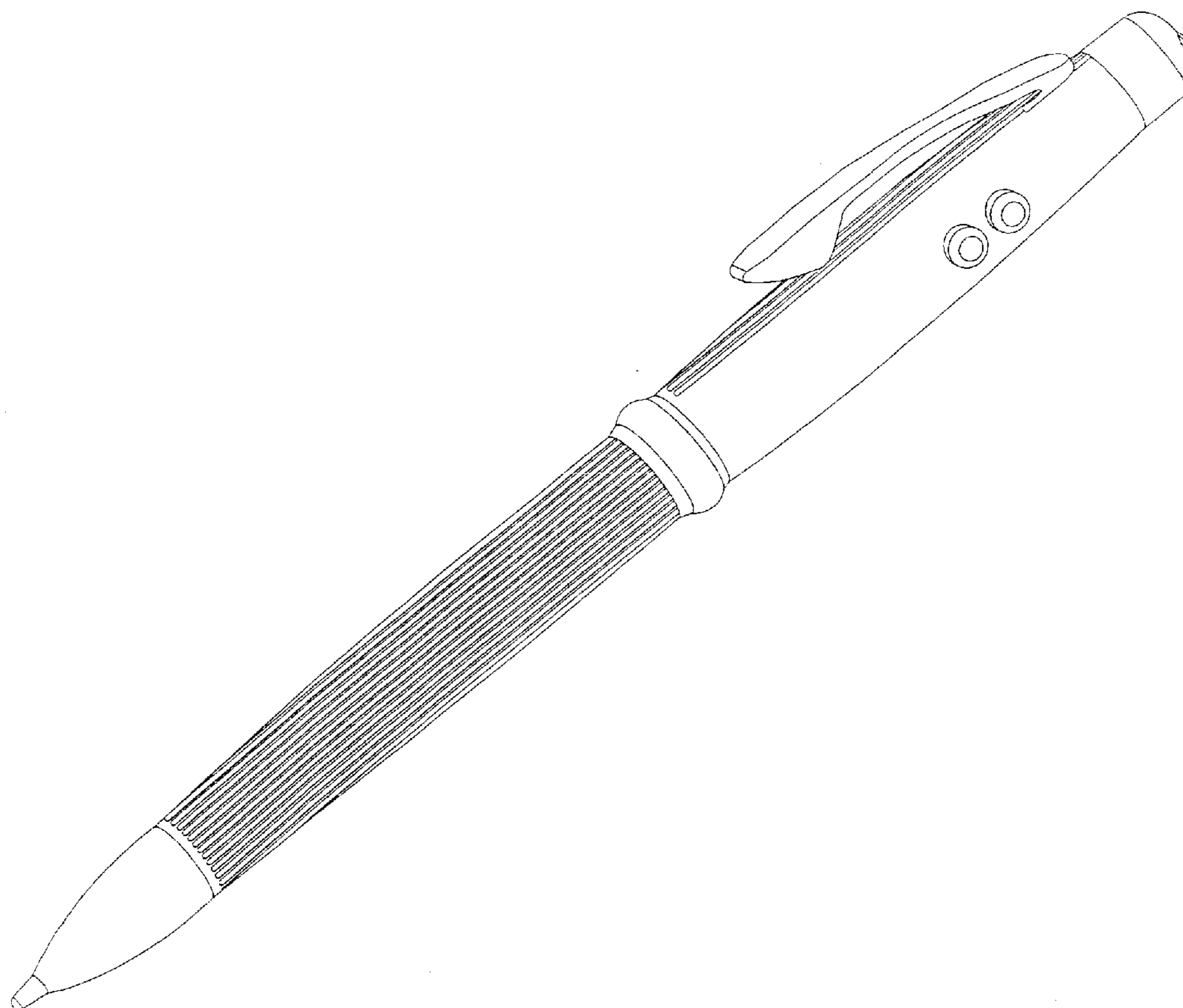
(57) **CLAIM**

The ornamental design for a combined pen and laser pointer, as shown and described.

DESCRIPTION

FIG. 1 is a perspective view of a combined pen and laser pointer showing my new design;
FIG. 2 is a bottom plan view thereof;
FIG. 3 is a top plan view thereof;
FIG. 4 is a left side elevational view thereof;
FIG. 5 is a right side elevational view thereof;
FIG. 6 is a front elevational view thereof; and,
FIG. 7 is a rear elevational view thereof.

1 Claim, 7 Drawing Sheets



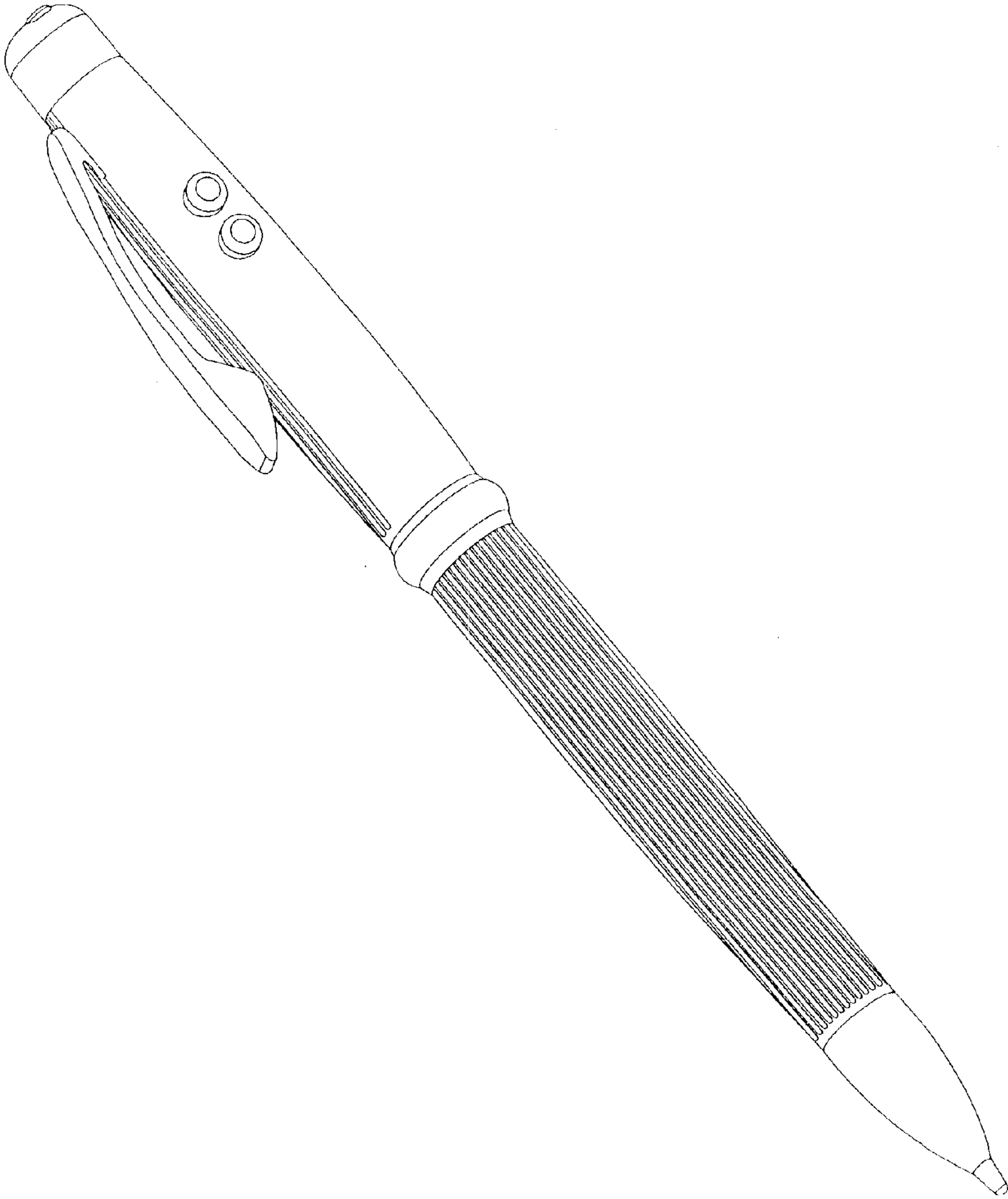


FIG. 1

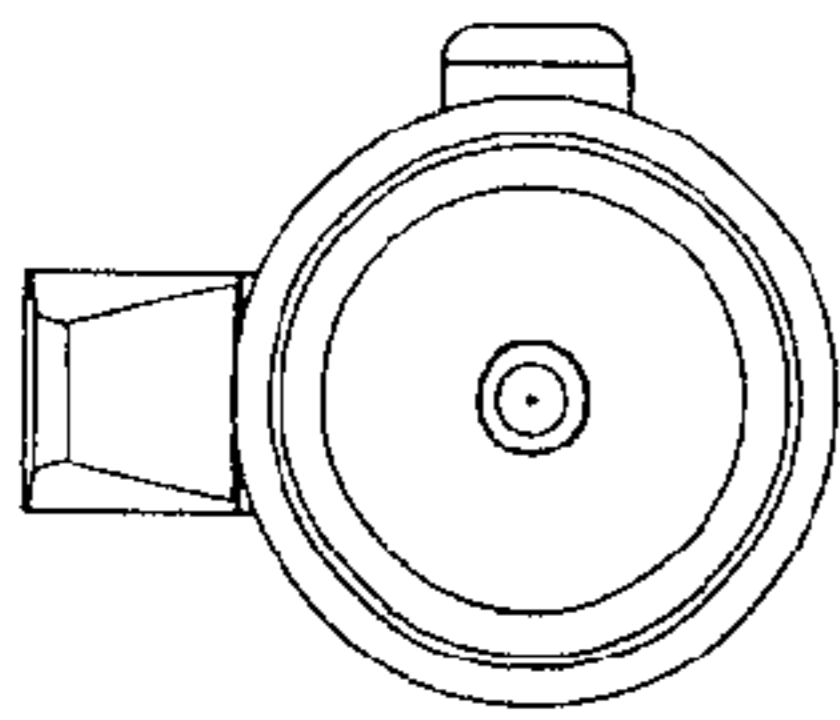


FIG. 2

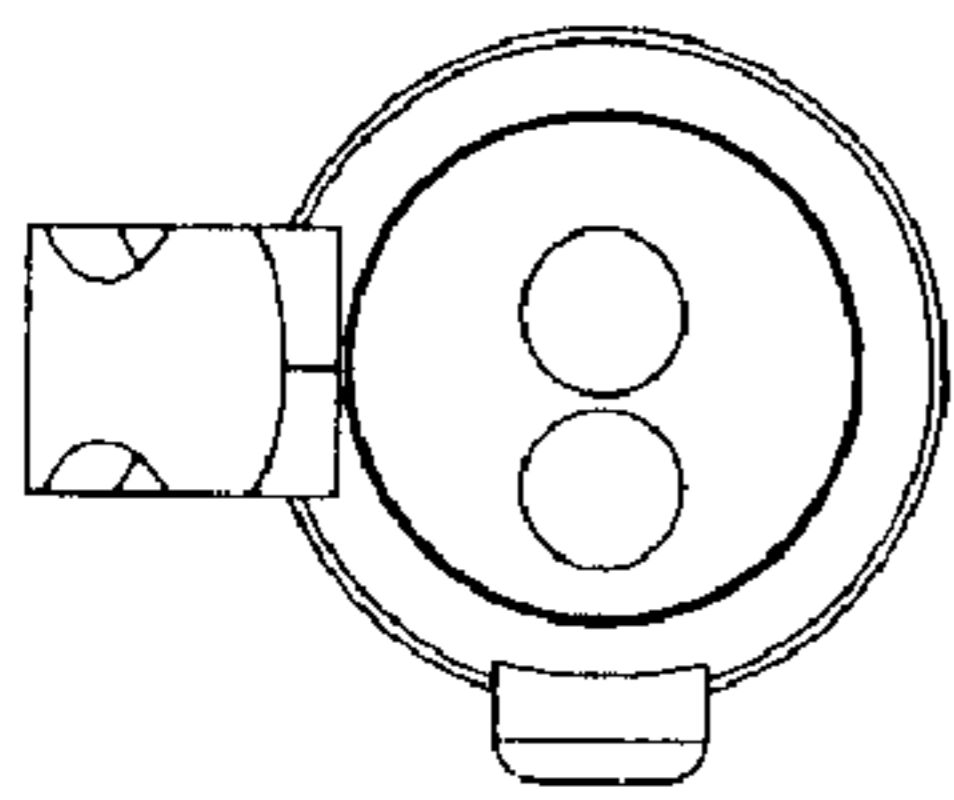


FIG. 3

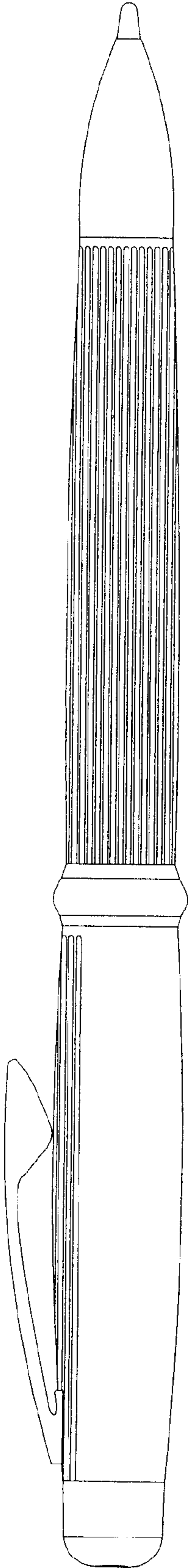


FIG.4

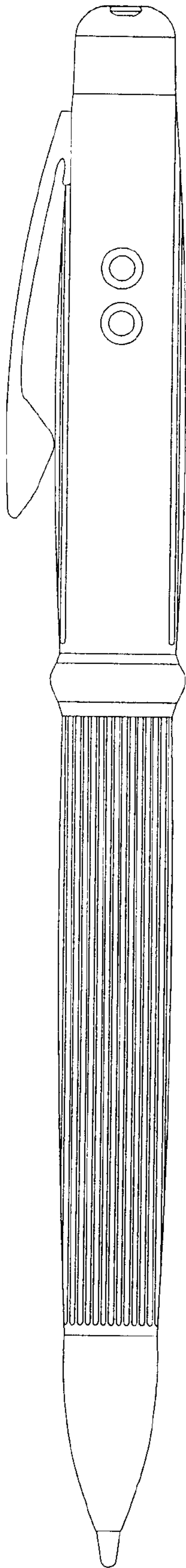


FIG. 5

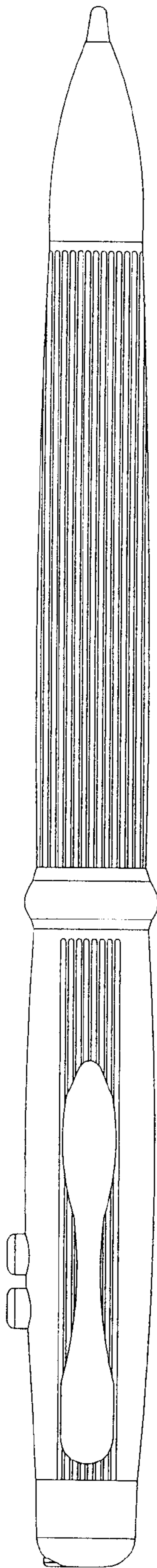


FIG. 6

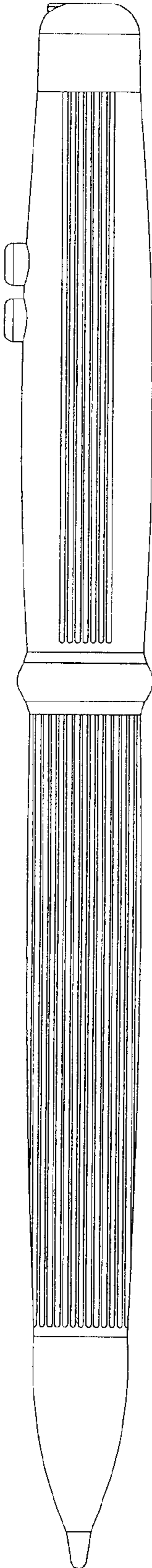


FIG. 7