



US00D502732S

(12) **United States Design Patent**
Ishigami

(10) **Patent No.:** **US D502,732 S**
(45) **Date of Patent:** **** Mar. 8, 2005**

(54) **PRINTER WITH COPYING AND SCANNING FUNCTIONS**

D434,067 S * 11/2000 Chen D18/36
D441,784 S * 5/2001 Leong et al. D18/55
D491,219 S * 6/2004 Shimamura D18/50

(75) Inventor: **Michifumi Ishigami**, Nagoya (JP)

* cited by examiner

(73) Assignee: **Brother Industries, Ltd.**, Nagoya (JP)

Primary Examiner—Cathy Anne MacCormac
(74) *Attorney, Agent, or Firm*—Oliff & Berridge, PLC

(**) Term: **14 Years**

(21) Appl. No.: **29/185,818**

(57) **CLAIM**

(22) Filed: **Jul. 7, 2003**

The ornamental design for printer with copying and scanning functions, as shown and described.

(30) **Foreign Application Priority Data**

Jan. 7, 2003 (JP) 2003-000130
Jun. 13, 2003 (JP) 2003-016811

DESCRIPTION

(51) **LOC (7) Cl.** **14-02**

FIG. 1 is a front view of a printer with copying and scanning functions;

(52) **U.S. Cl.** **D18/50; D18/36; D18/40; D14/422**

FIG. 2 is a perspective view thereof;

(58) **Field of Search** D18/19, 36-41, D18/50, 53, 54, 54.1, 55; D14/420-425, 462-470, 349; 400/613, 613.1, 613.4, 690.1-690.4, 691-694; 355/97, 400; 399/1, 3, 81, 87, 107-108, 130, 151

FIG. 3 is a perspective view thereof with both the environmental printer and scanner lids in an open position; and, FIG. 4 is a perspective view thereof with the environmental scanner lid in an open position.

(56) **References Cited**

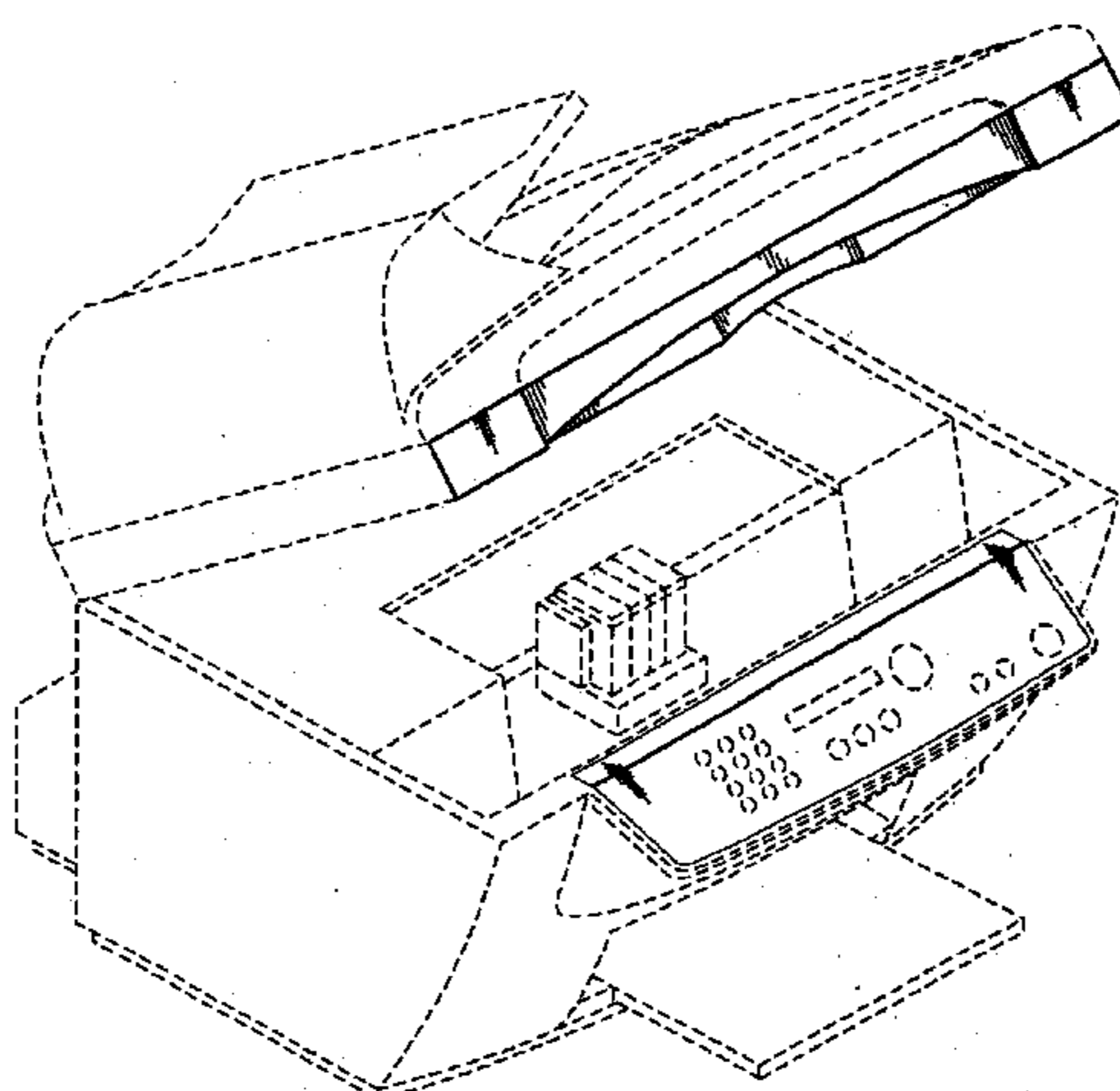
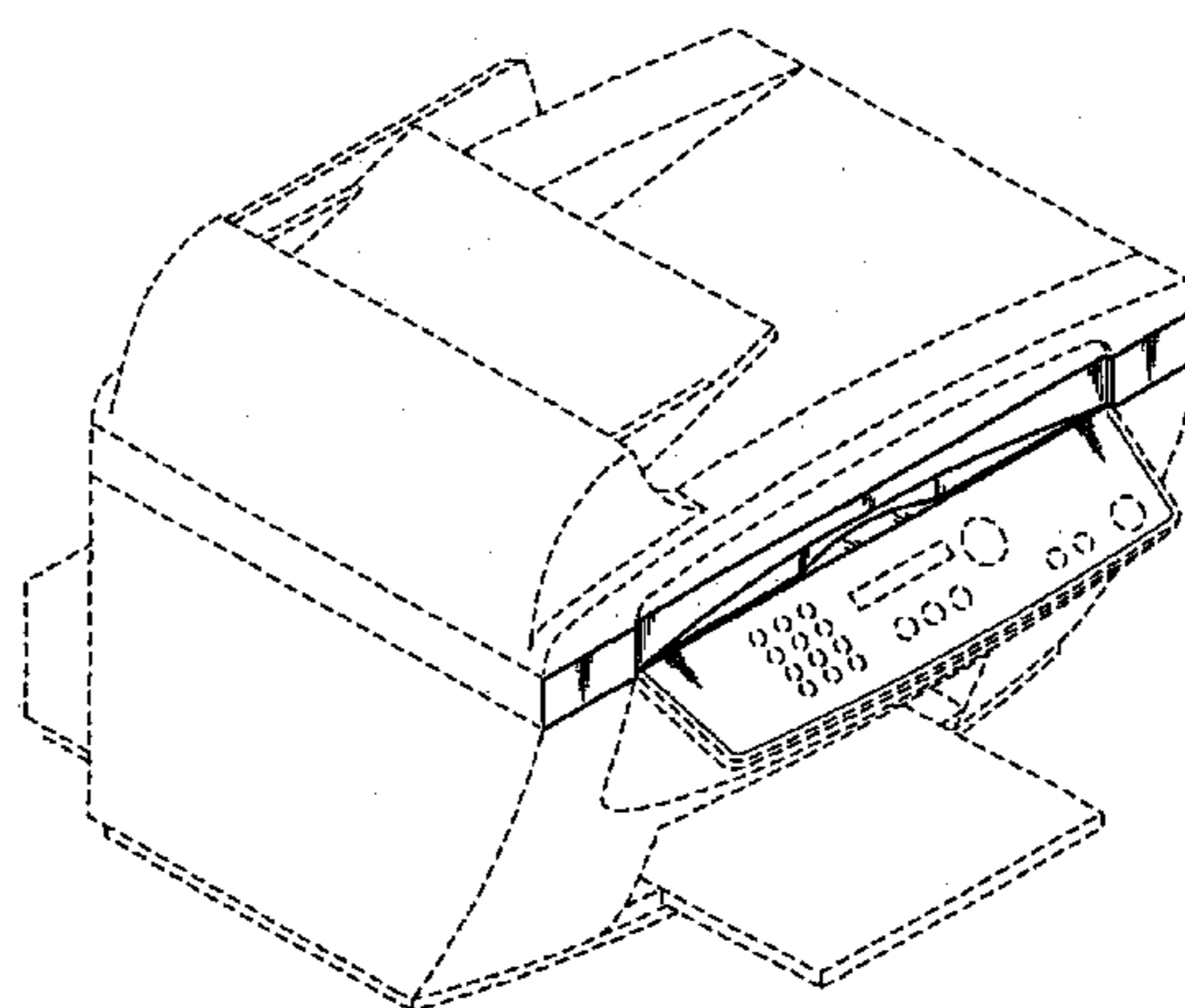
The top, right, left, rear and bottom views contain no ornamentality and are omitted.

U.S. PATENT DOCUMENTS

The broken line showing is for illustrative purposes only and forms no part of the claimed design.

D398,632 S * 9/1998 Dodge et al. D18/36

1 Claim, 2 Drawing Sheets



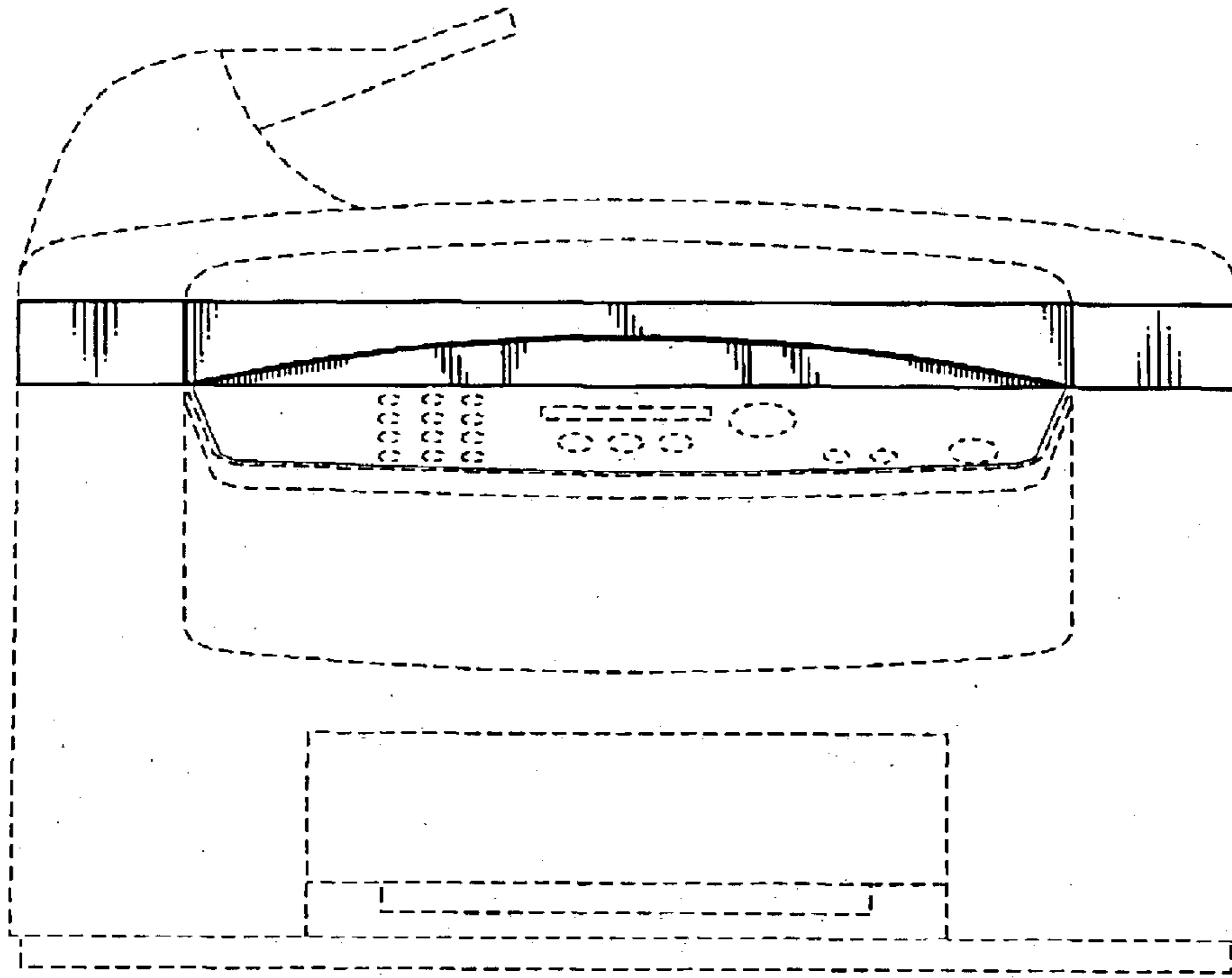


FIG. 1

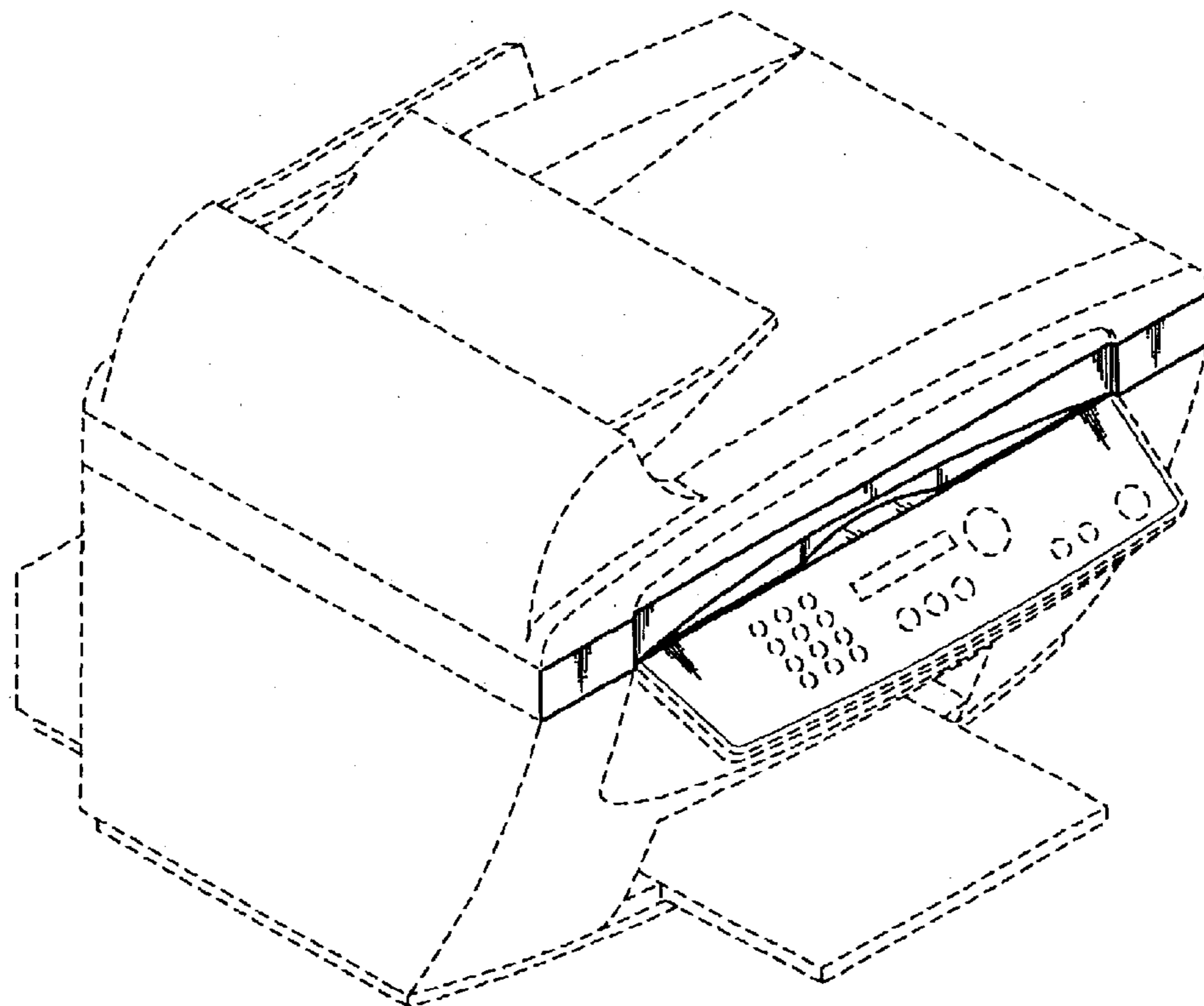


FIG. 2

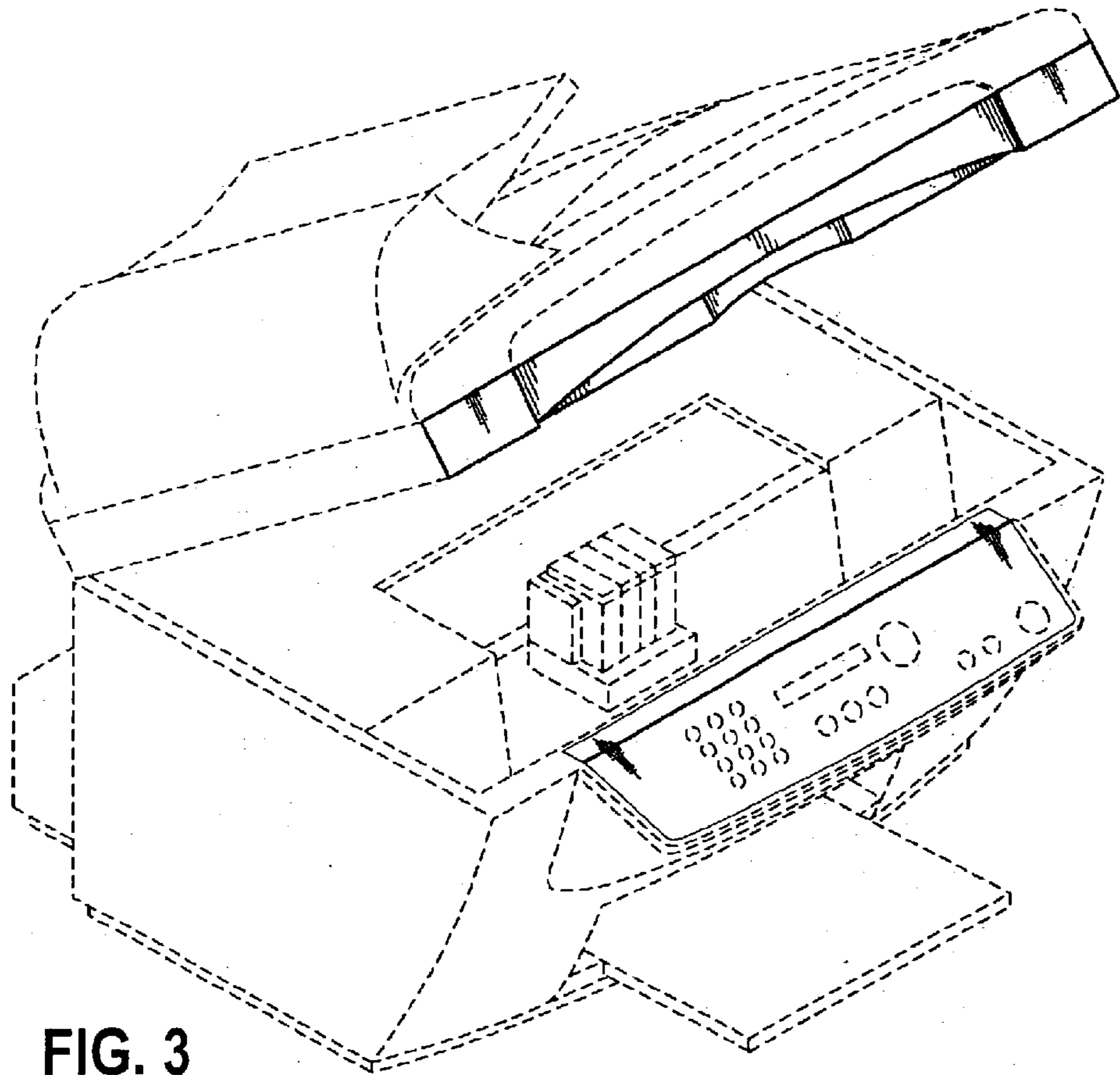


FIG. 3

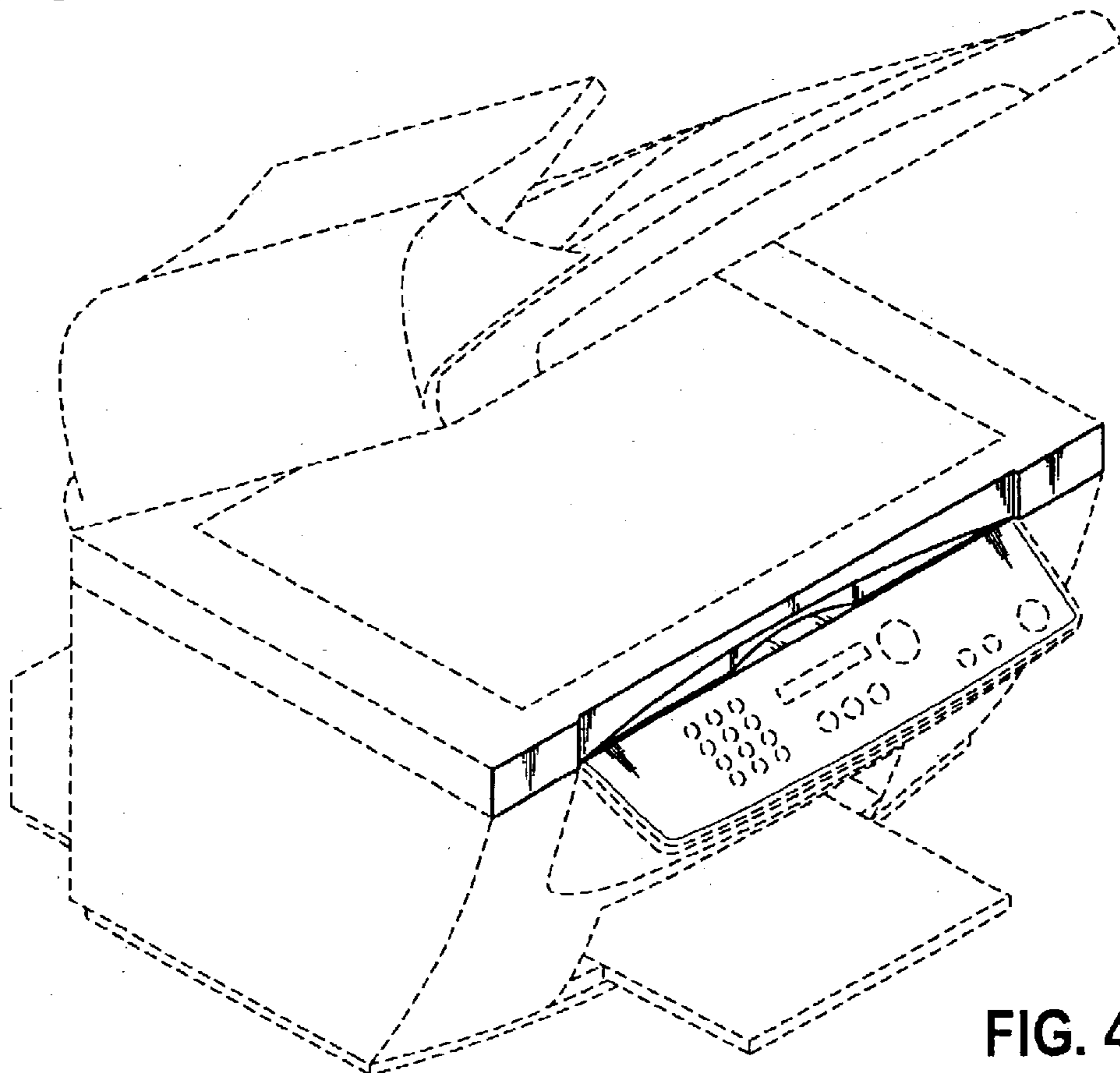


FIG. 4