



US00D502731S

(12) **United States Design Patent**
Yamada

(10) **Patent No.:** **US D502,731 S**
(45) **Date of Patent:** **** Mar. 8, 2005**

(54) **TONER BOTTLE**

(75) Inventor: **Yusuke Yamada, Moriya (JP)**

(73) Assignee: **Canon Kabushiki Kaisha, Tokyo (JP)**

(**) Term: **14 Years**

(21) Appl. No.: **29/191,765**

(22) Filed: **Oct. 15, 2003**

(30) **Foreign Application Priority Data**

Apr. 24, 2003 (JP) 2003-011693

(51) **LOC (7) Cl.** **16-03**

(52) **U.S. Cl.** **D18/43**

(58) **Field of Search** D18/12, 40, 43,
D18/56; D14/471, 481, 483; 222/DIG. 1;
399/24-31, 110-125, 252-262; 400/207,
208; D9/500, 520; 209/447

(56) **References Cited**

U.S. PATENT DOCUMENTS

D110,624 S * 7/1938 Mekeel, Jr. D9/520
D208,377 S * 8/1967 Wagner et al. D18/43
3,338,410 A * 8/1967 South 209/447

D236,694 S * 9/1975 Avolio D18/43
D240,201 S * 6/1976 Avolio et al. D18/43
D242,528 S * 11/1976 Weckman D9/500
D252,557 S * 8/1979 Walker et al. D18/43
4,386,839 A * 6/1983 Kumagai et al. 399/116
4,688,926 A * 8/1987 Manno 399/260

* cited by examiner

Primary Examiner—Caron D. Veynar

(74) *Attorney, Agent, or Firm*—Fitzpatrick, Cella, Harper & Scinto

(57) **CLAIM**

The ornamental design for a toner bottle, as shown and described.

DESCRIPTION

FIG. 1 is a front view of a toner bottle showing my new design, the rear view being a mirror image;
FIG. 2 is a top plan view thereof, the bottom plan view being a mirror image;
FIG. 3 is a left side view thereof;
FIG. 4 is a right side view thereof; and,
FIG. 5 is a perspective view thereof.

1 Claim, 3 Drawing Sheets

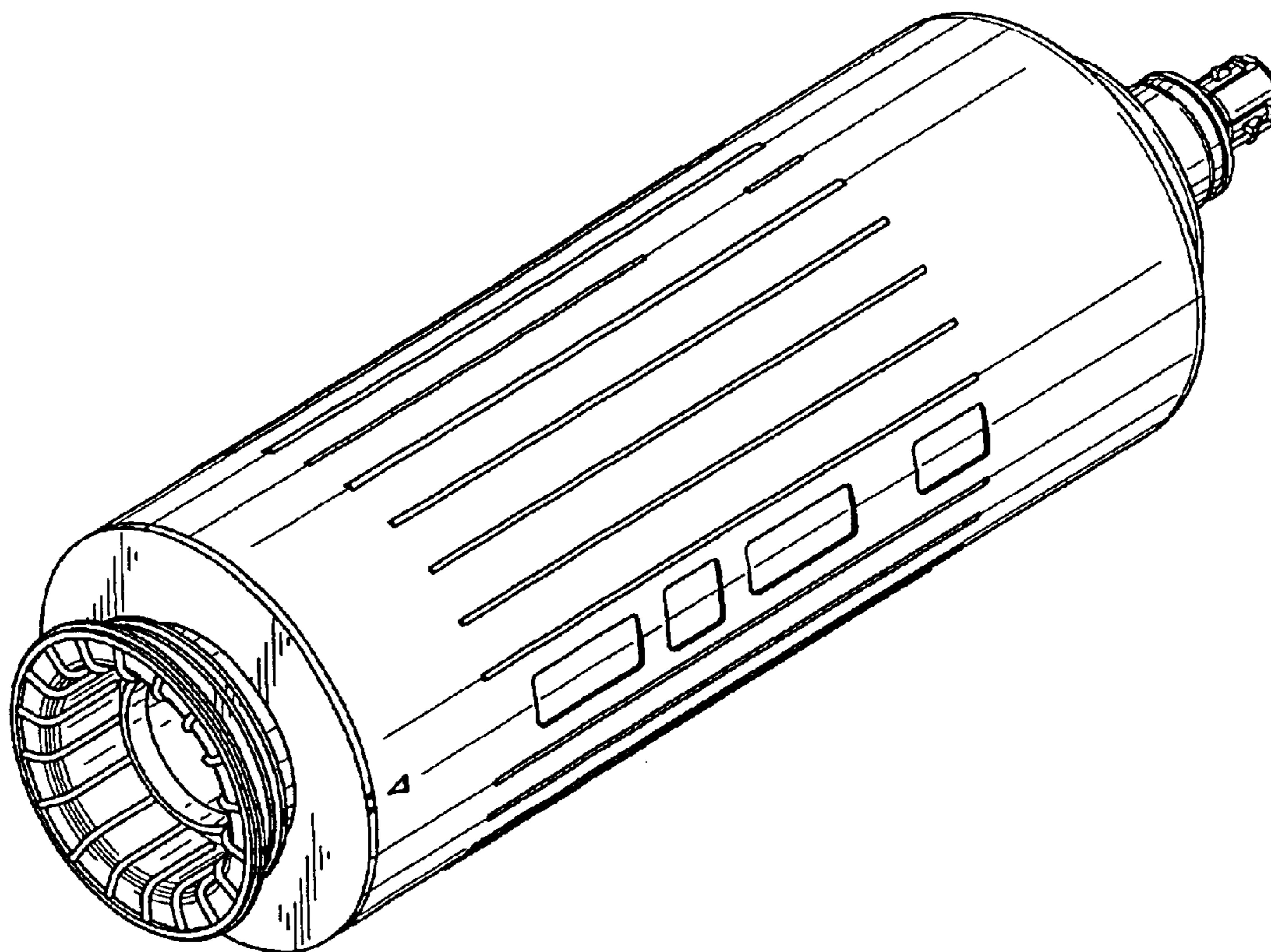


FIG. 1

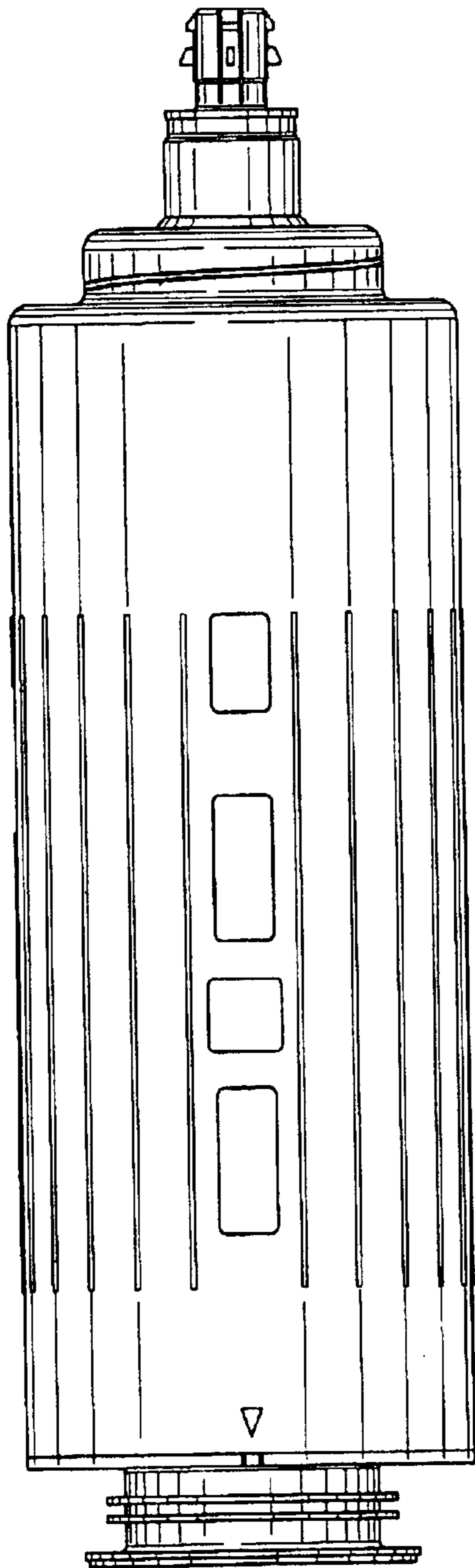


FIG. 2

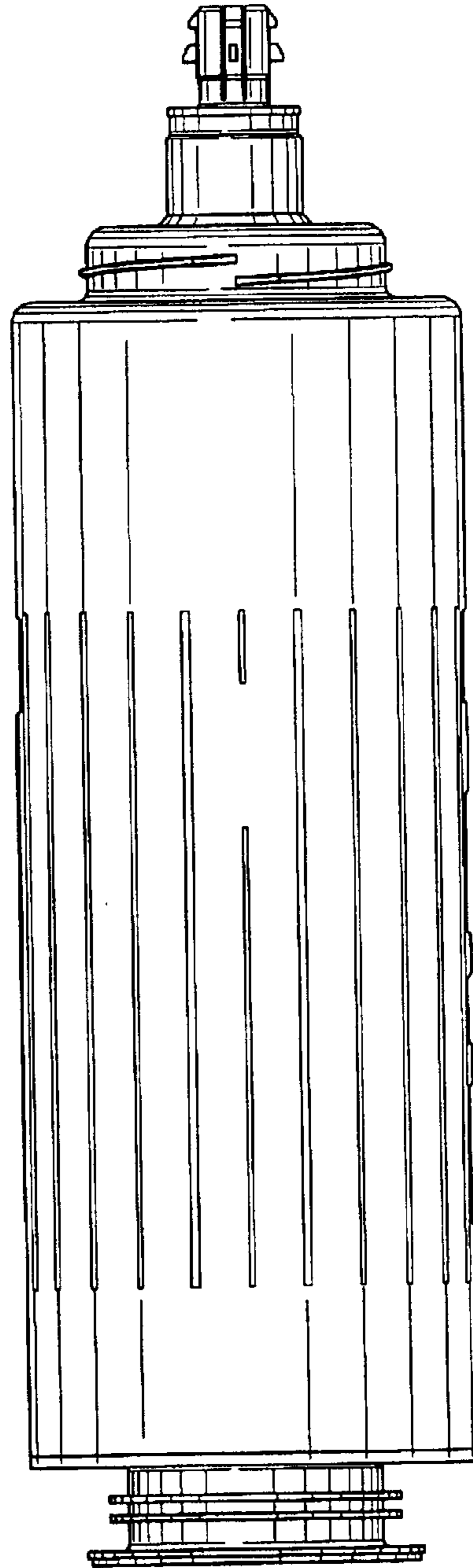


FIG. 3

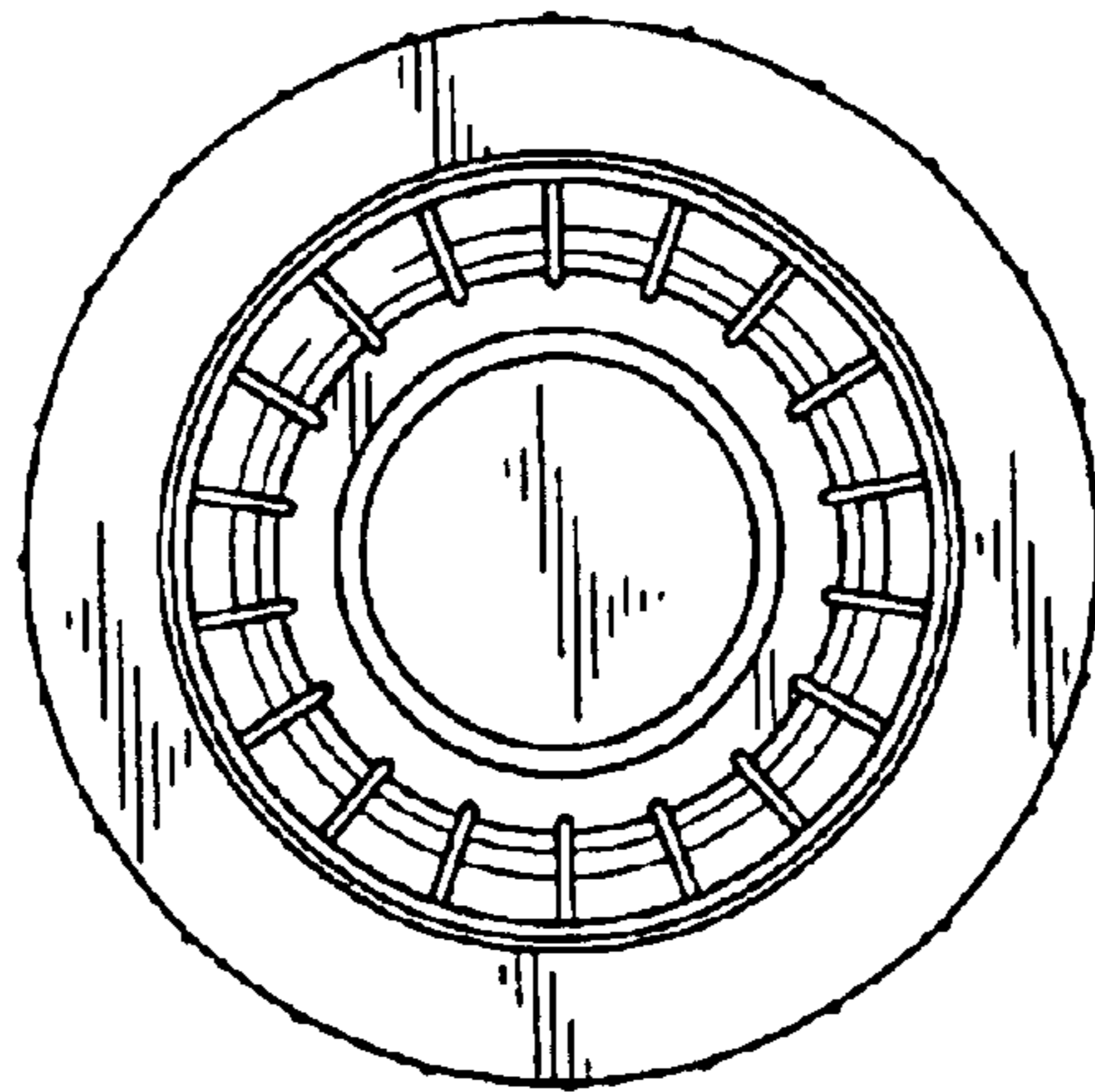


FIG. 4

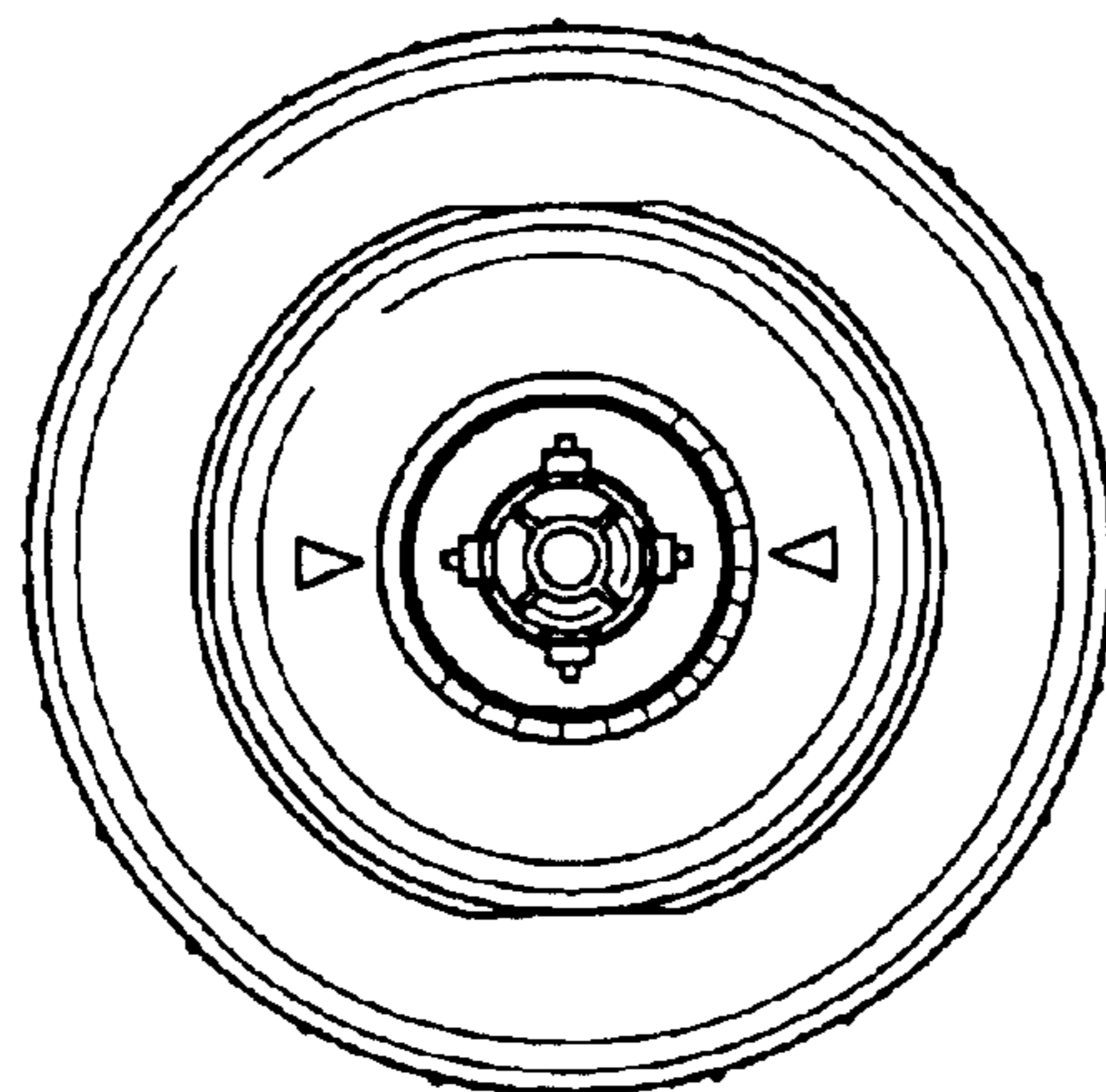


FIG. 5

