



US00D502730S

(12) **United States Design Patent**
Miyagawa

(10) **Patent No.:** **US D502,730 S**
(45) **Date of Patent:** **** Mar. 8, 2005**

(54) **DEVELOPER SUPPLYING DEVICE FOR
IMAGE FORMING APPARATUS**

D442,624 S * 5/2001 Maeshima D18/43
D447,168 S * 8/2001 Nishimura D18/43
D450,080 S * 11/2001 Ashikari D18/40

(75) Inventor: **Tomoo Miyagawa, Osaka (JP)**

* cited by examiner

(73) Assignee: **Kyocera Mita Company, Osaka (JP)**

Primary Examiner—Caron D. Veynar

(**) Term: **14 Years**

(74) *Attorney, Agent, or Firm*—Jordan and Hamburg LLP

(21) Appl. No.: **29/179,129**

(57) **CLAIM**

(22) Filed: **Apr. 4, 2003**

The ornamental design for a developer supplying device for image forming apparatus, as shown and described.

(30) **Foreign Application Priority Data**

DESCRIPTION

Oct. 4, 2002 (JP) 2002-027234

FIG. 1 is a front perspective view of a developer supplying device for image forming apparatus;
FIG. 2 is a rear view thereof;
FIG. 3 is a front view thereof;
FIG. 4 is a right side view thereof;
FIG. 5 is a left side view thereof;
FIG. 6 is a top view thereof; and,
FIG. 7 is a bottom view thereof.

(51) **LOC (7) Cl.** **16-03**

(52) **U.S. Cl.** **D18/40**

(58) **Field of Search** D18/12, 40, 43,
D18/56; D14/471, 481, 483; 222/DIG. 1;
399/24-31, 110-125, 252-263, 130, 222-224

The broken lines shown in FIGS. 1, 3, 4, 5, 6, and 7 are for illustrative purposes only and form no part of the claimed design.

(56) **References Cited**

U.S. PATENT DOCUMENTS

D410,947 S * 6/1999 Schwamkrug D18/43
D442,216 S * 5/2001 Kimura et al. D18/43

1 Claim, 4 Drawing Sheets

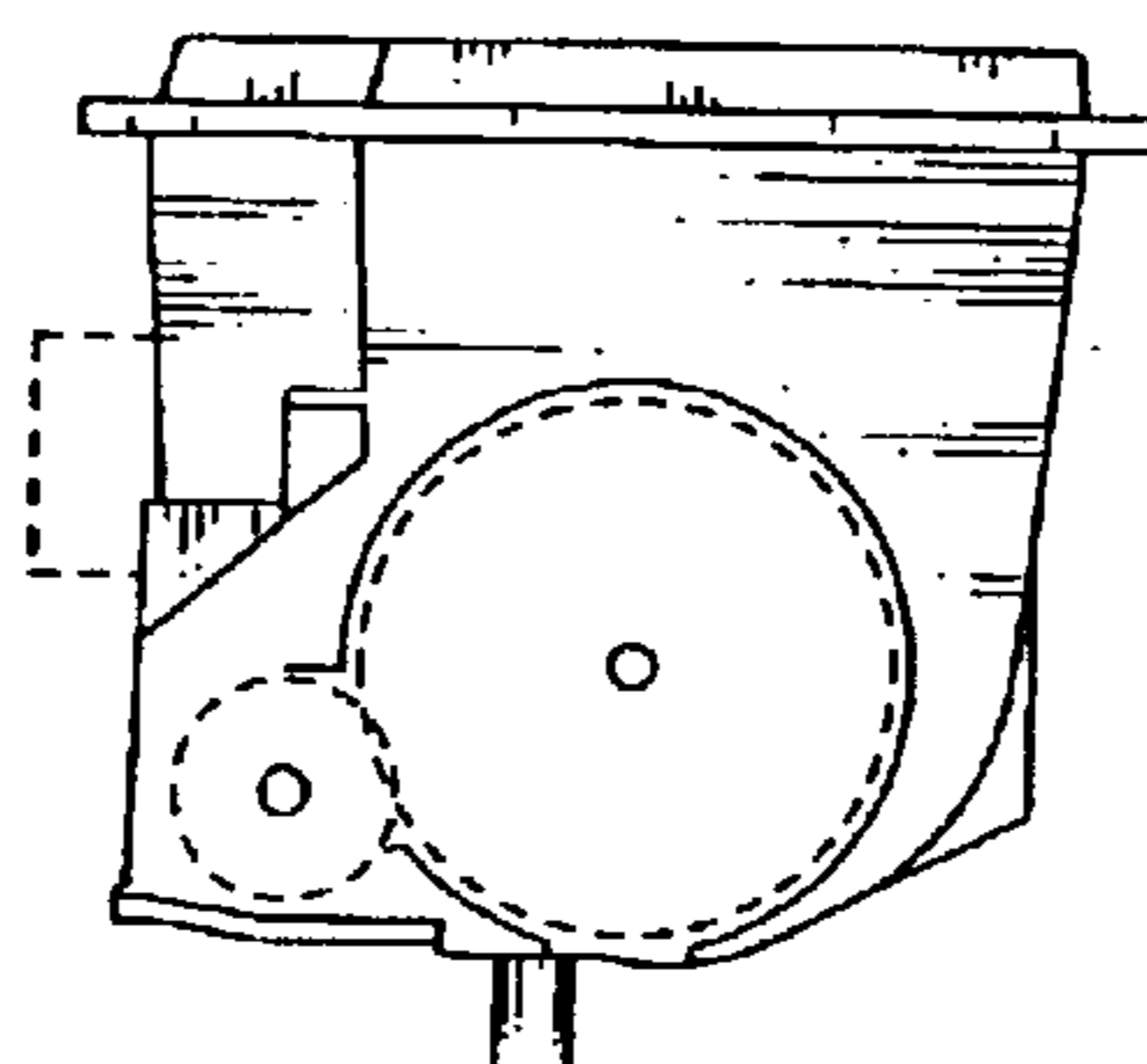
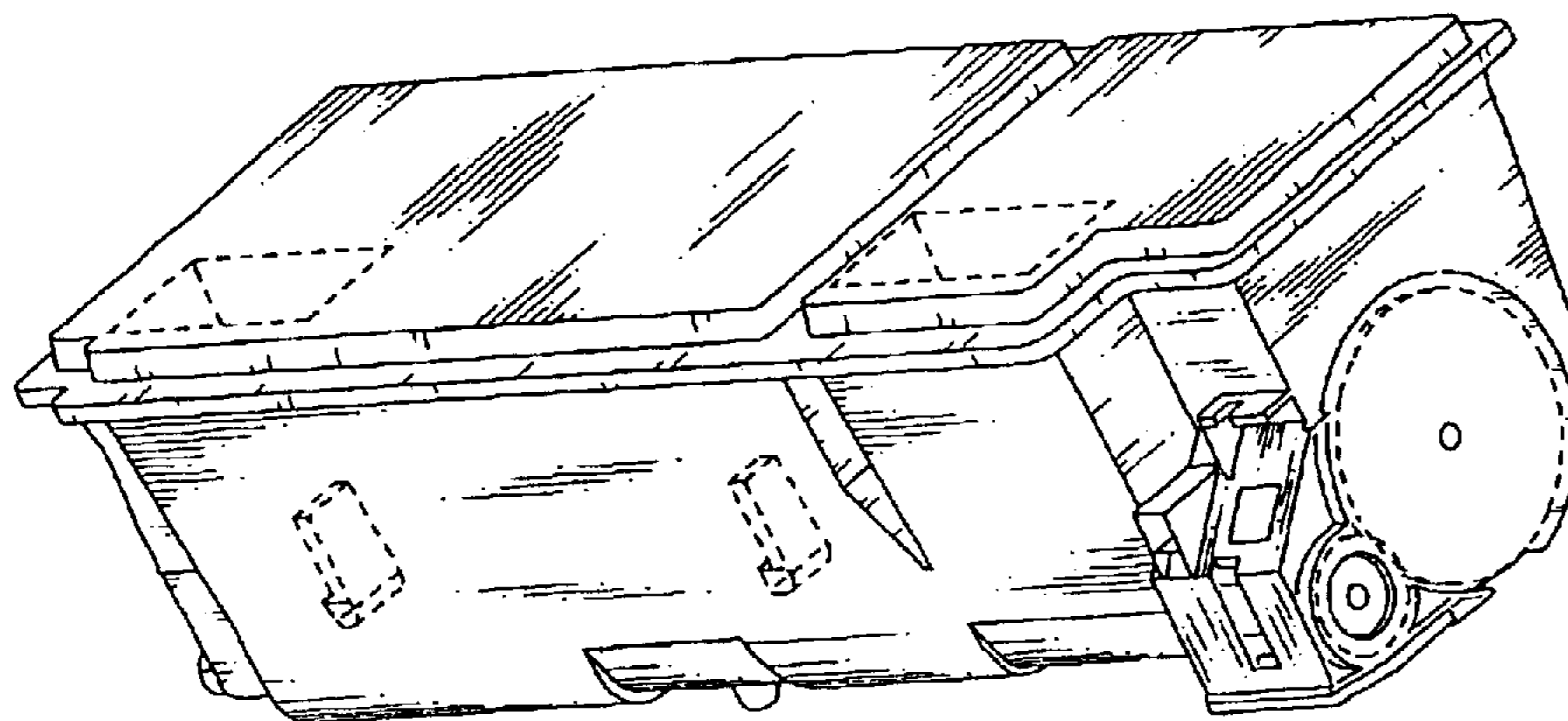


Fig. 1

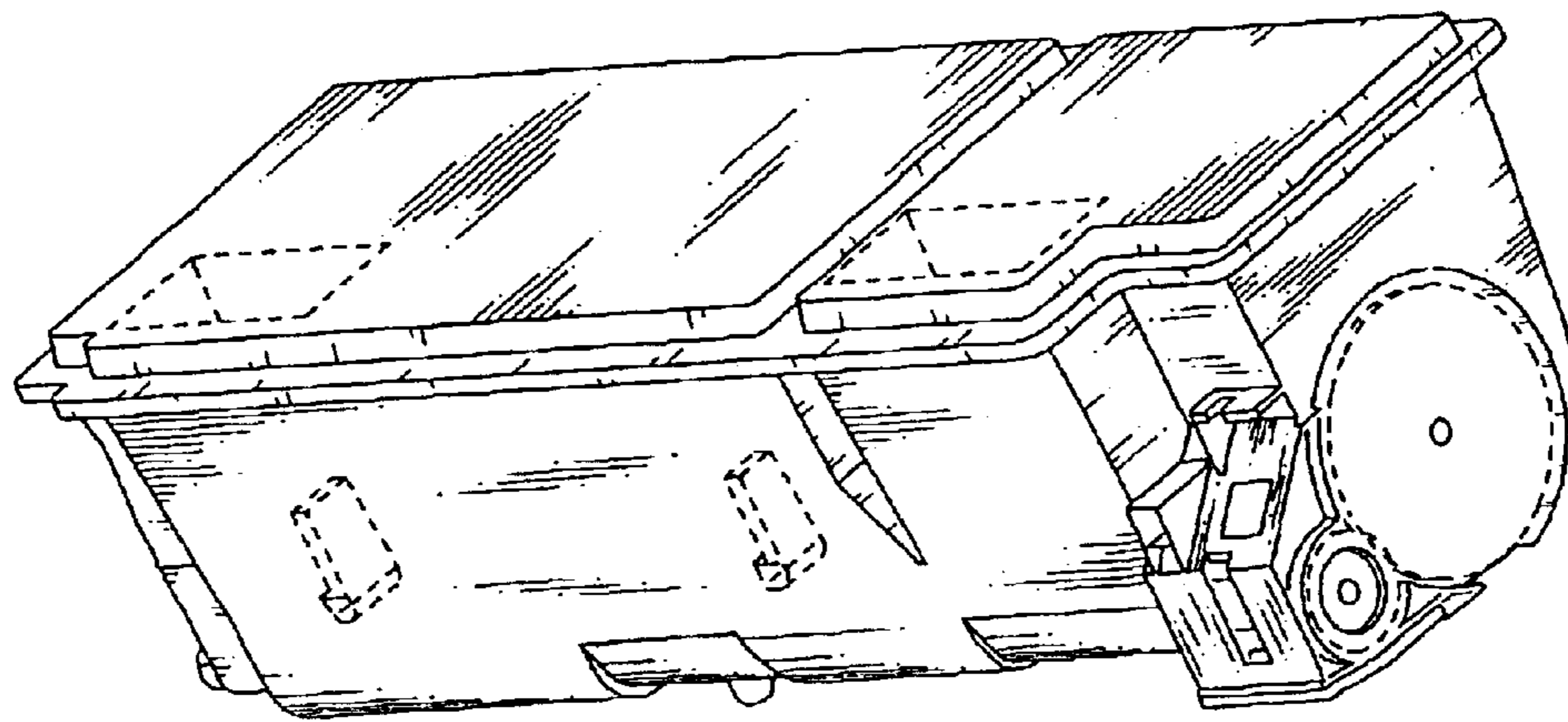


Fig. 2

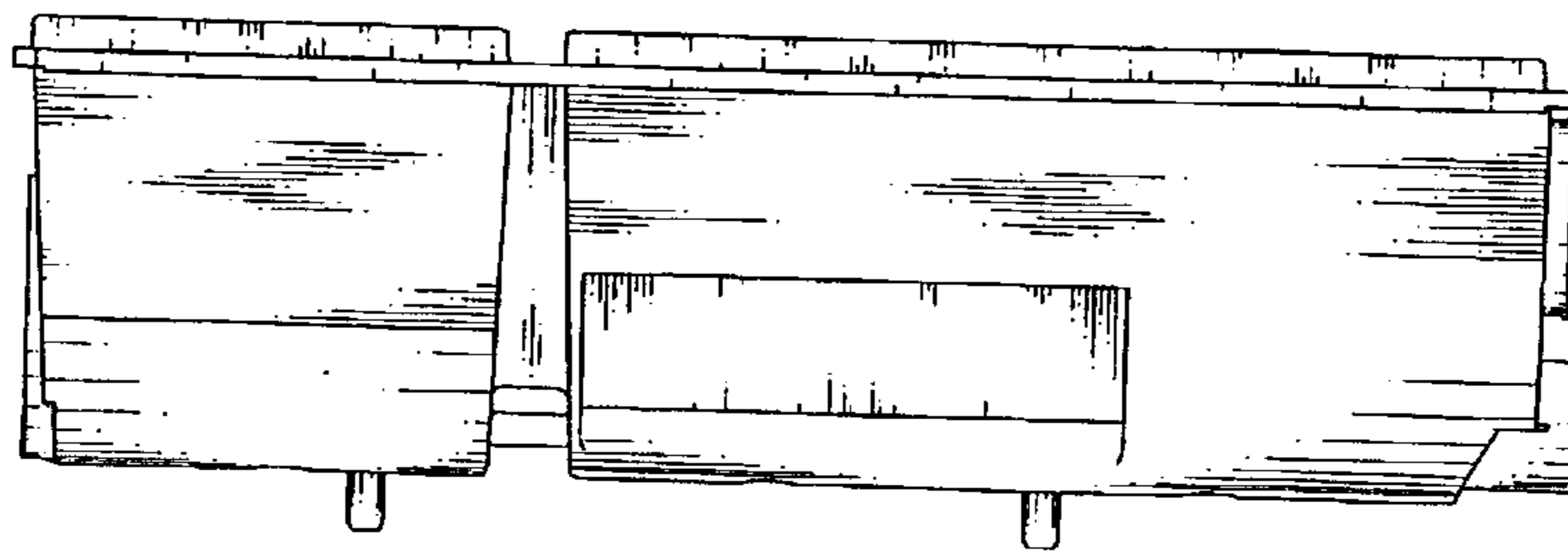


Fig. 3

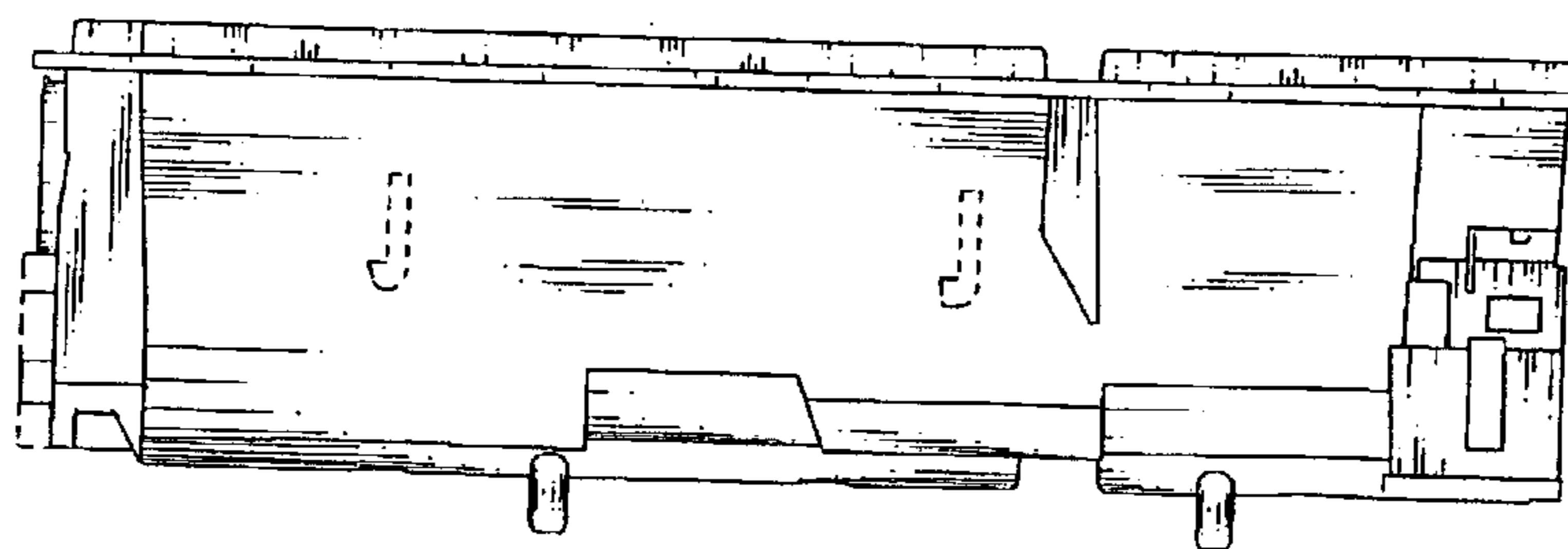


Fig. 4

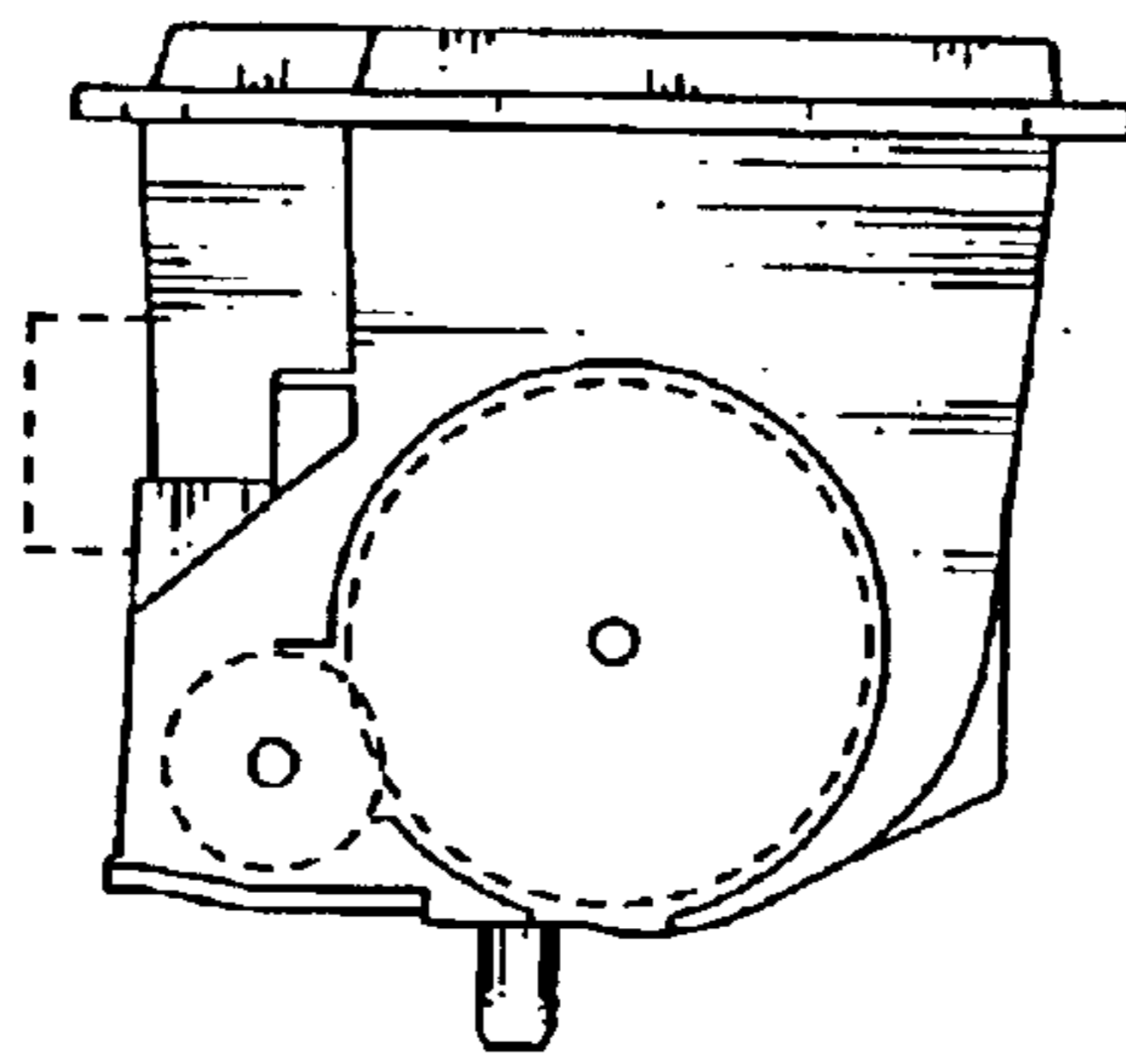


Fig. 5

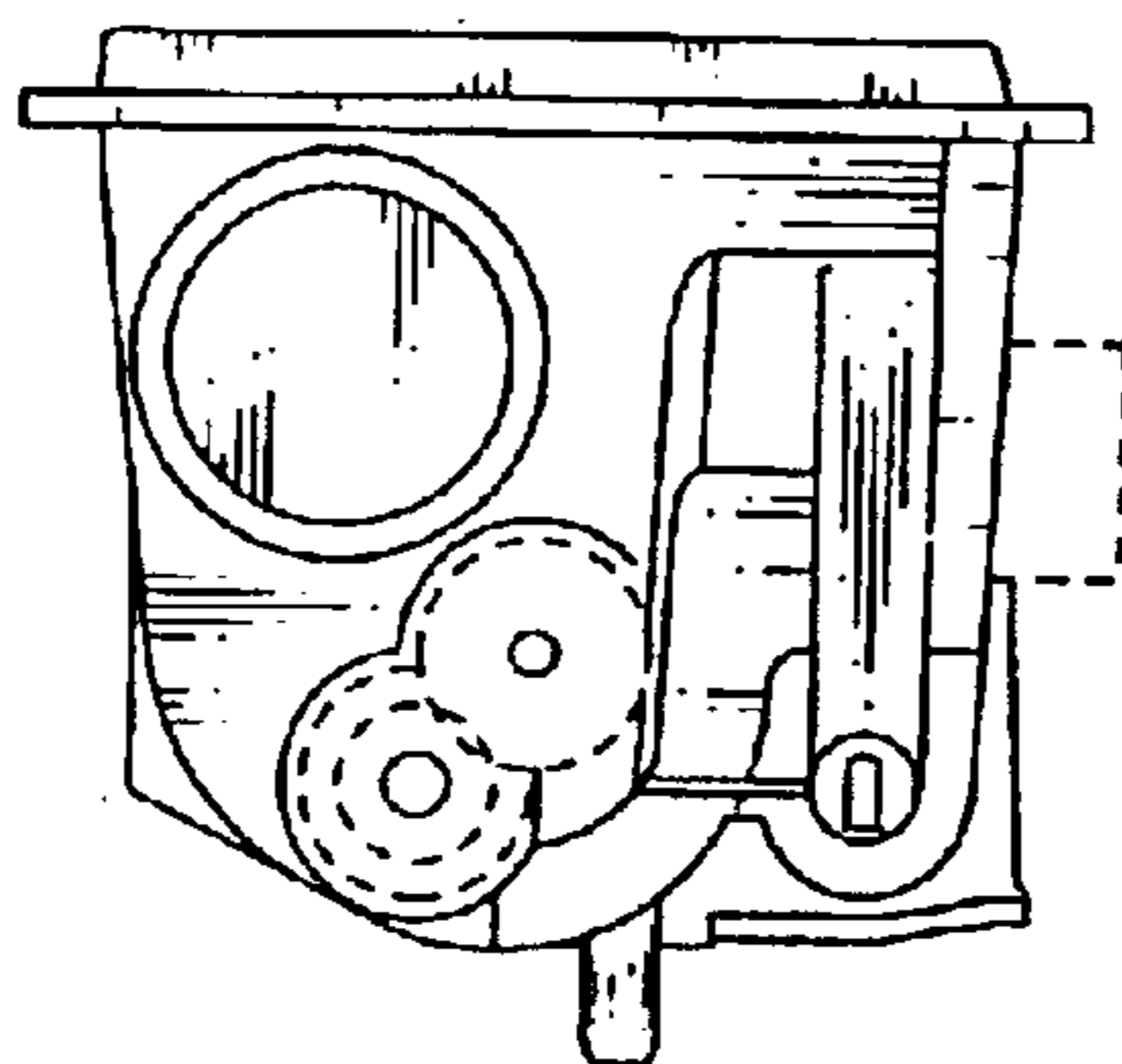


Fig. 6

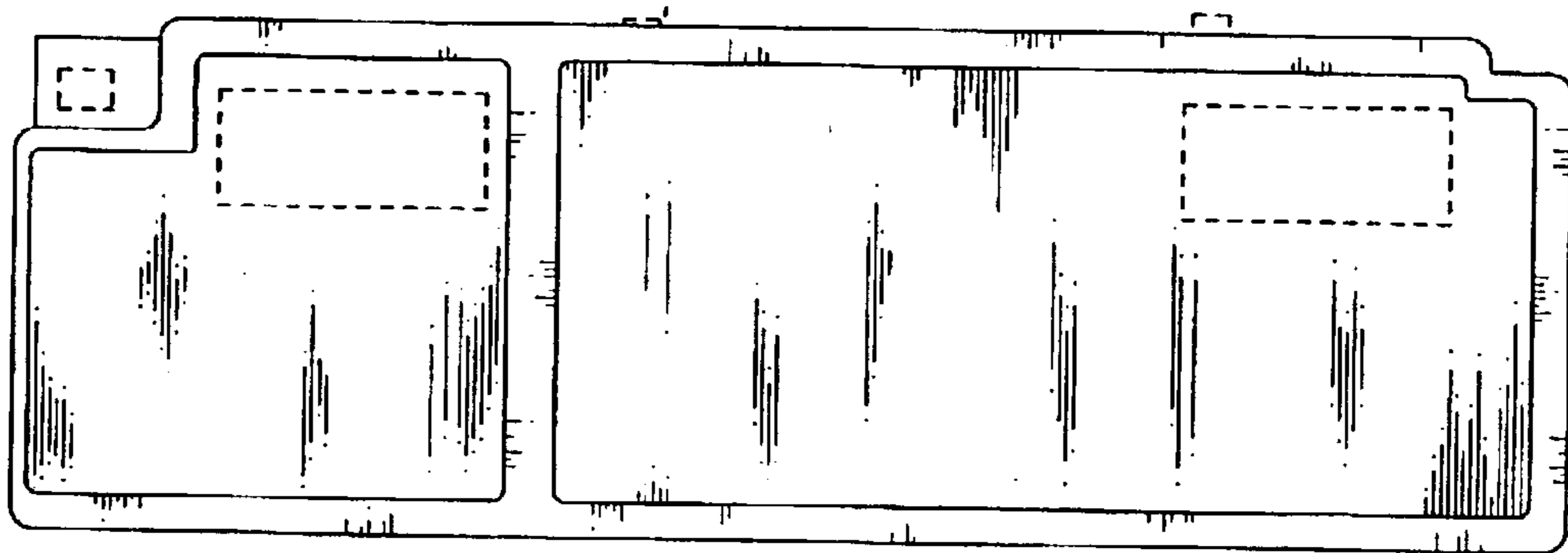


Fig. 7

