

US00D502723S

(12) **United States Design Patent**  
**Nagayama et al.**

(10) **Patent No.:** **US D502,723 S**

(45) **Date of Patent:** **\*\* Mar. 8, 2005**

(54) **DIGITAL CAMERA**

(75) **Inventors:** **Yosuke Nagayama**, Tokyo (JP);  
**Kazuhito Sakaguchi**, Sagamihara (JP);  
**Naoya Nishizawa**, Tokyo (JP)

(73) **Assignees:** **Casio Keisanki Kabushiki Kaisha**,  
Tokyo (JP); **Casio Computer Co., Ltd.**,  
Tokyo (JP)

(\*\*) **Term:** **14 Years**

(21) **Appl. No.:** **29/204,202**

(22) **Filed:** **Apr. 26, 2004**

(51) **LOC (7) Cl.** ..... **16-05**

(52) **U.S. Cl.** ..... **D16/219; D16/202**

(58) **Field of Search** ..... D16/200–204,  
D16/208, 209, 218, 219; 348/373–376;  
358/906, 909.1; 396/535–541

(56) **References Cited**

**U.S. PATENT DOCUMENTS**

D430,186 S \* 8/2000 Suzuki et al. .... D16/202  
D445,440 S \* 7/2001 Chen ..... D16/202  
6,434,337 B1 \* 8/2002 Misawa ..... 358/909.1

D478,606 S \* 8/2003 Owada ..... D16/202  
D479,547 S \* 9/2003 Nagayama ..... D16/202  
D495,350 S \* 8/2004 Yoo ..... D16/202  
D495,352 S \* 8/2004 Sakaguchi et al. .... D16/202

\* cited by examiner

*Primary Examiner*—Adir Aronovich

(74) *Attorney, Agent, or Firm*—Frishauf, Holtz, Goodman  
& Chick, P.C.

(57) **CLAIM**

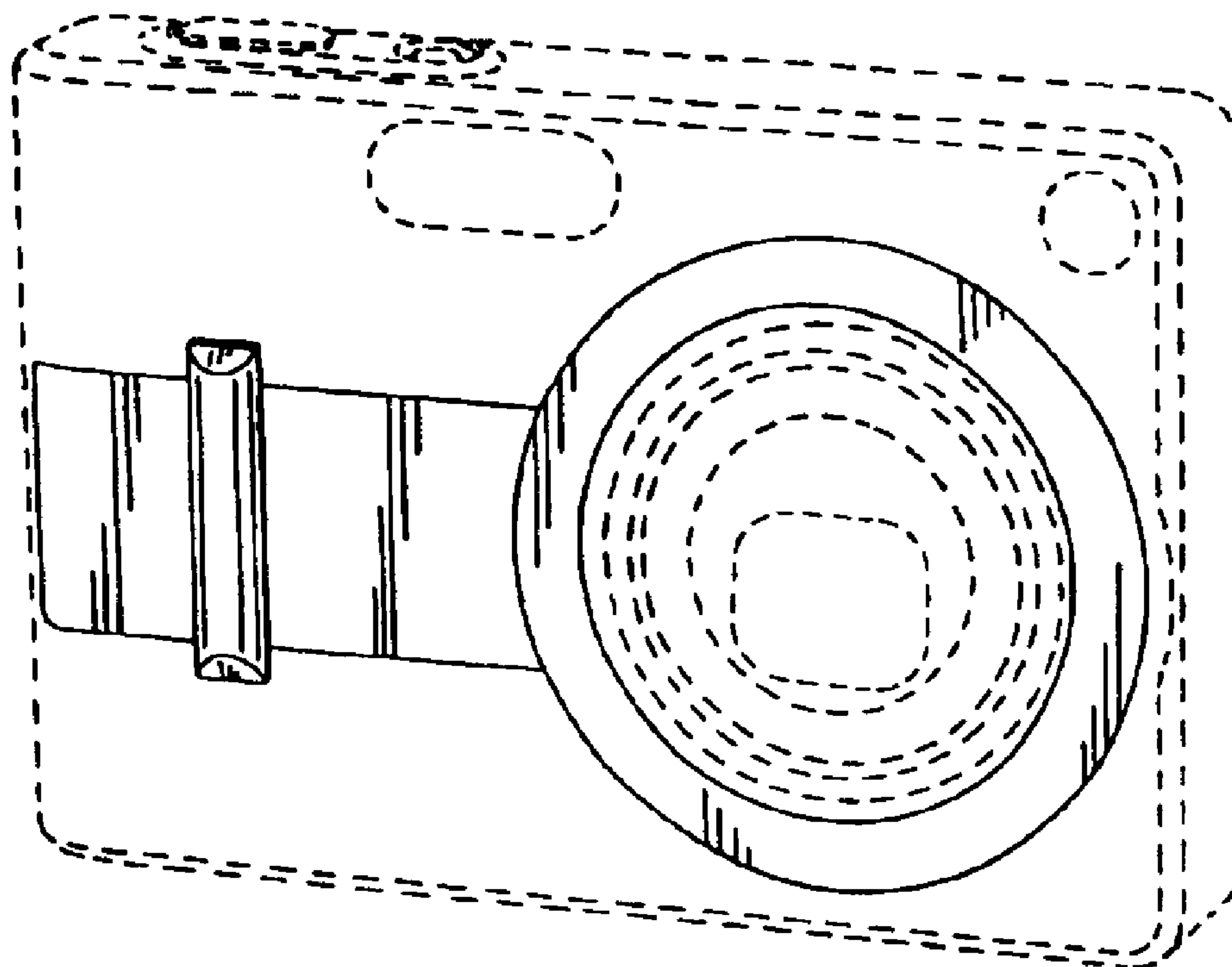
The ornamental design for digital camera, as shown and described.

**DESCRIPTION**

FIG. 1 is a reduced top, front, right side perspective view of a digital camera showing our new design; FIG. 2 is a front elevational view thereof; FIG. 3 is a rear elevational view thereof; FIG. 4 is a left side view thereof; FIG. 5 is a right side view thereof; FIG. 6 is a top plan view thereof; and, FIG. 7 is a bottom plan view thereof.

The broken line showing is for illustrative purposes only and forms no part of the claimed design.

**1 Claim, 5 Drawing Sheets**



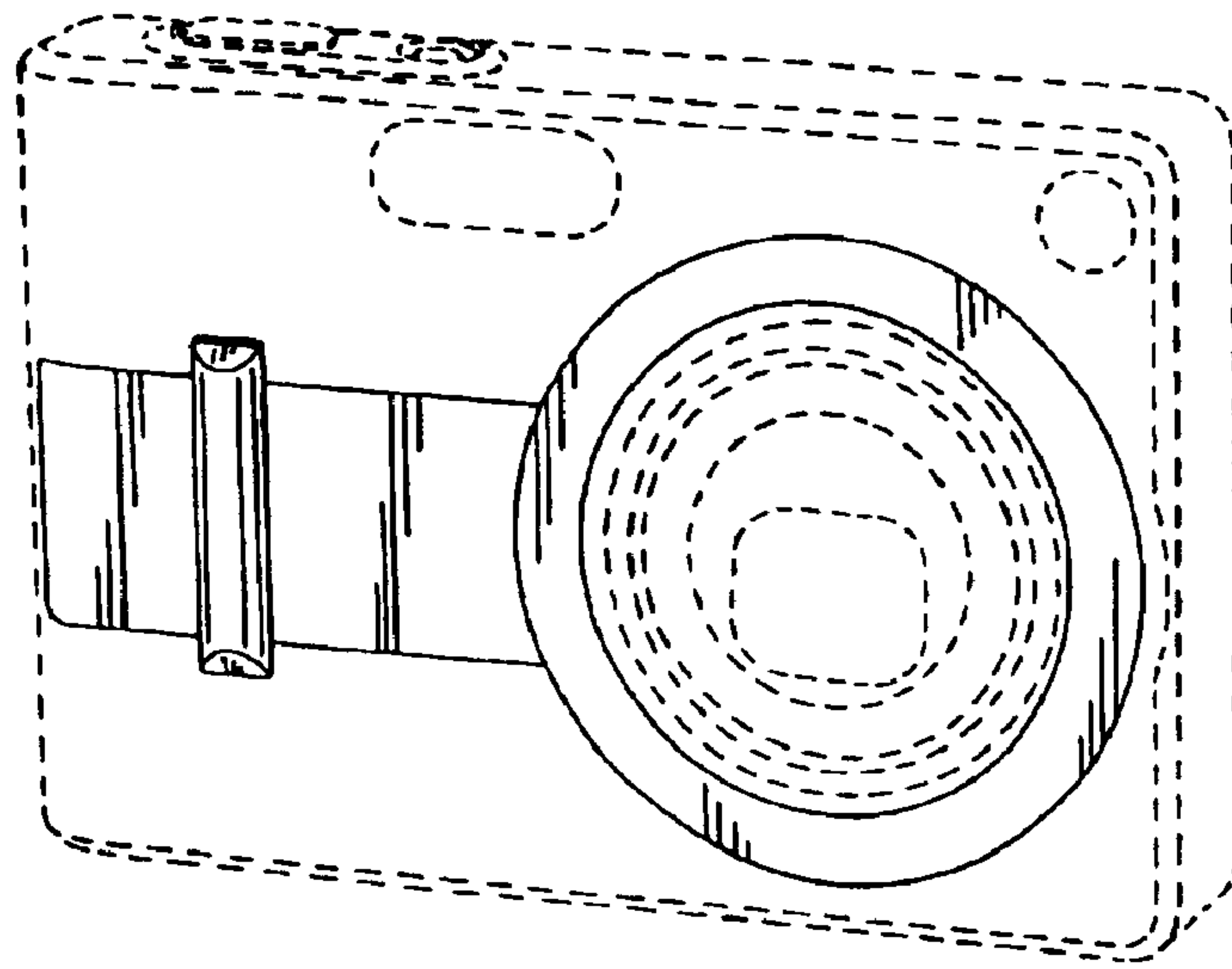


FIG. 1

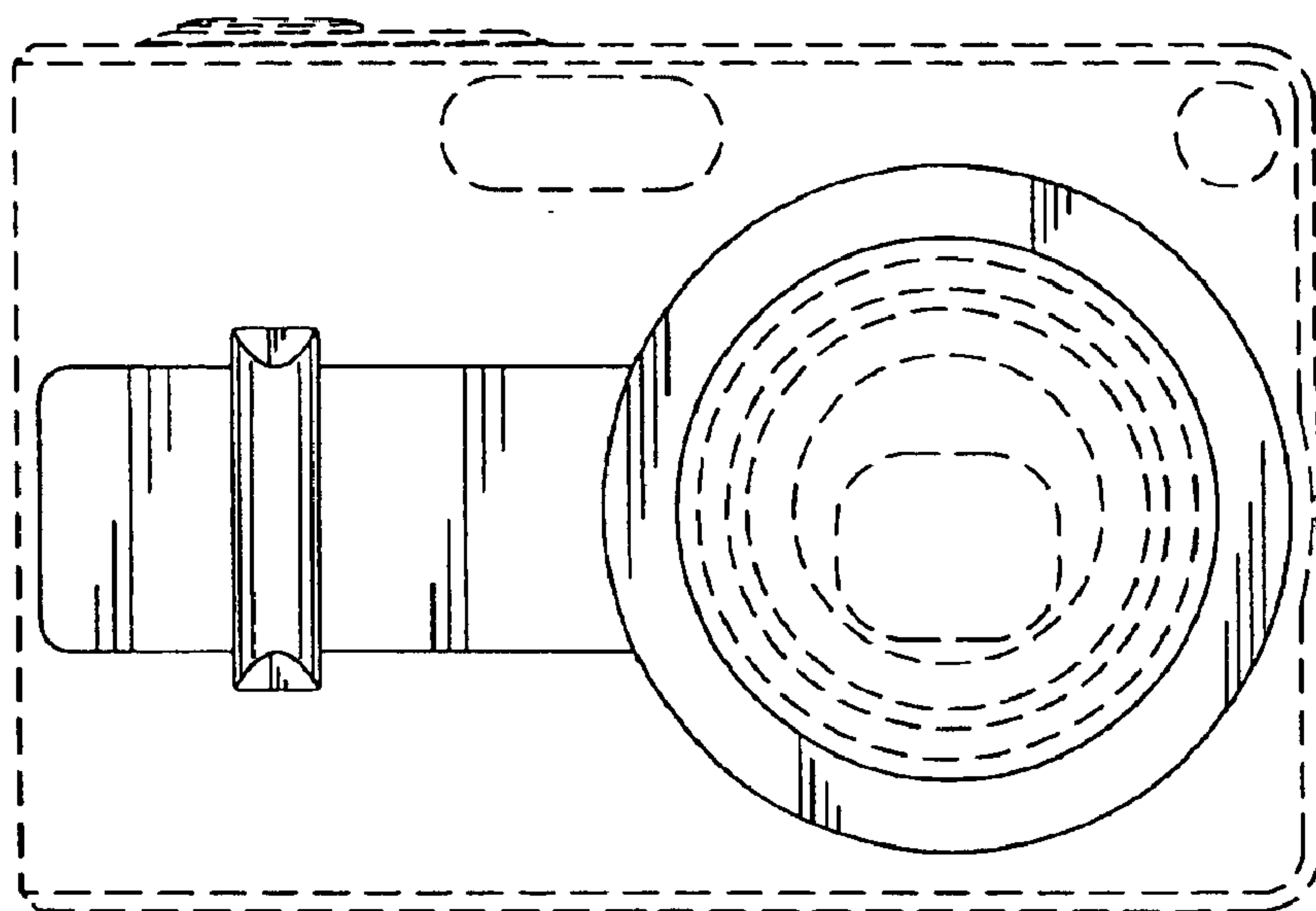


FIG. 2

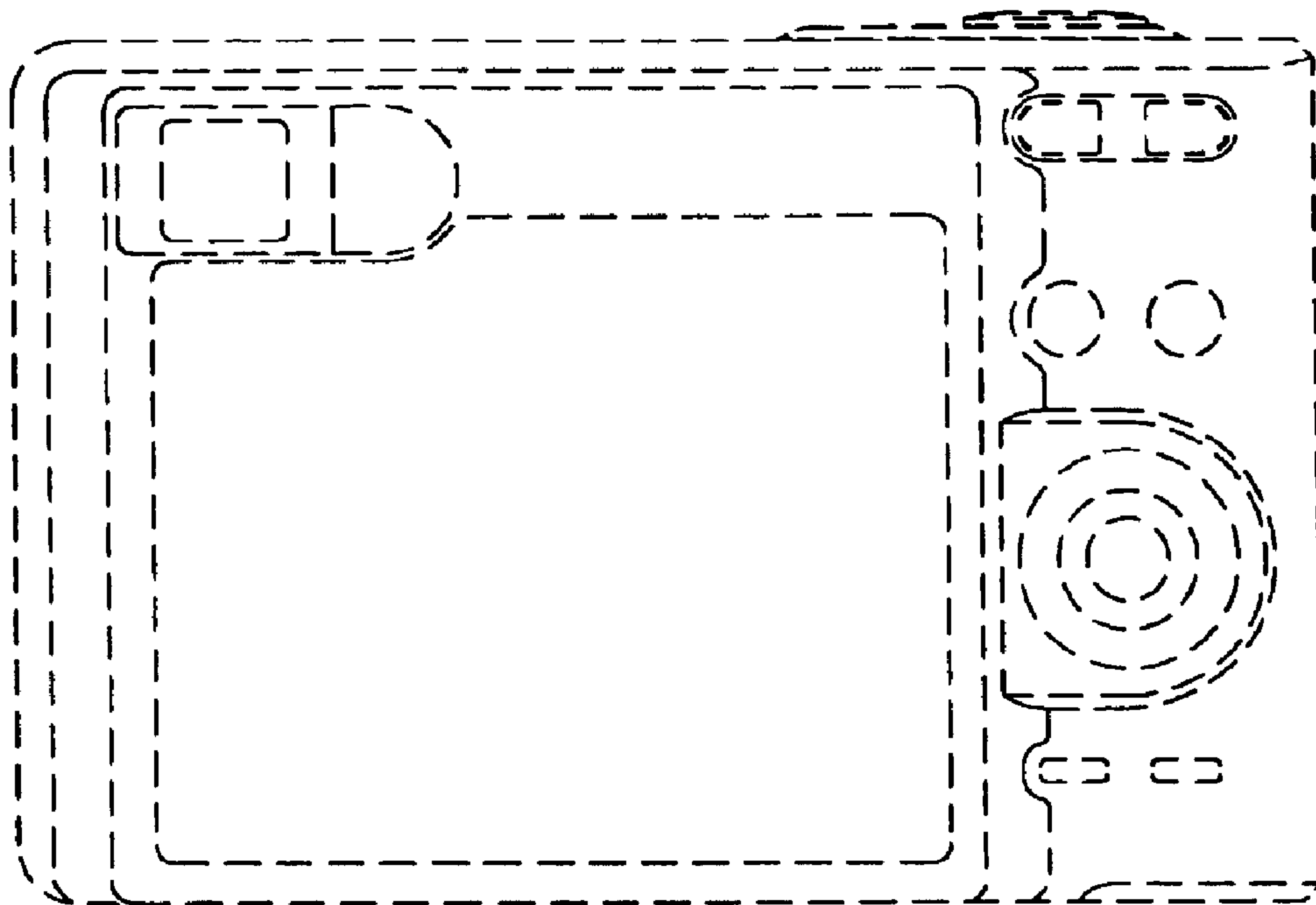


FIG. 3

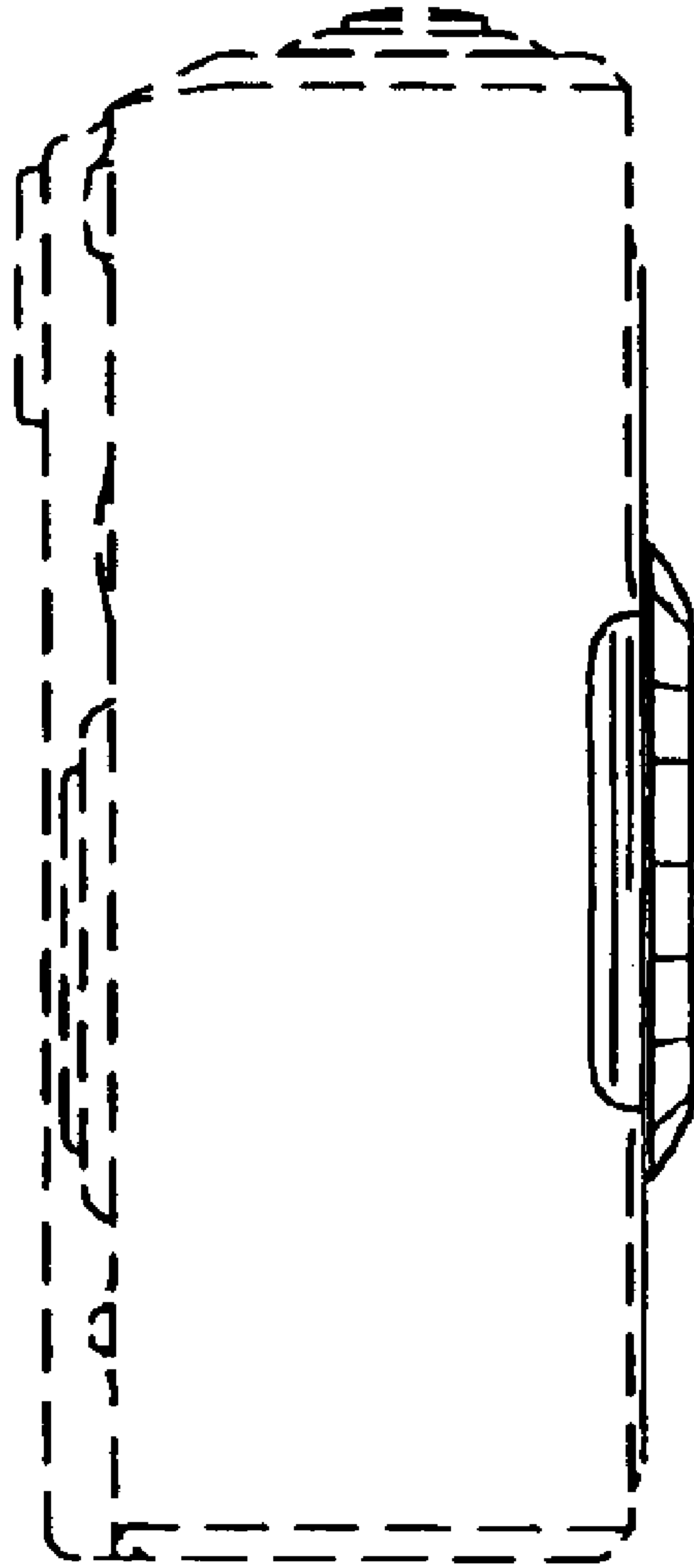
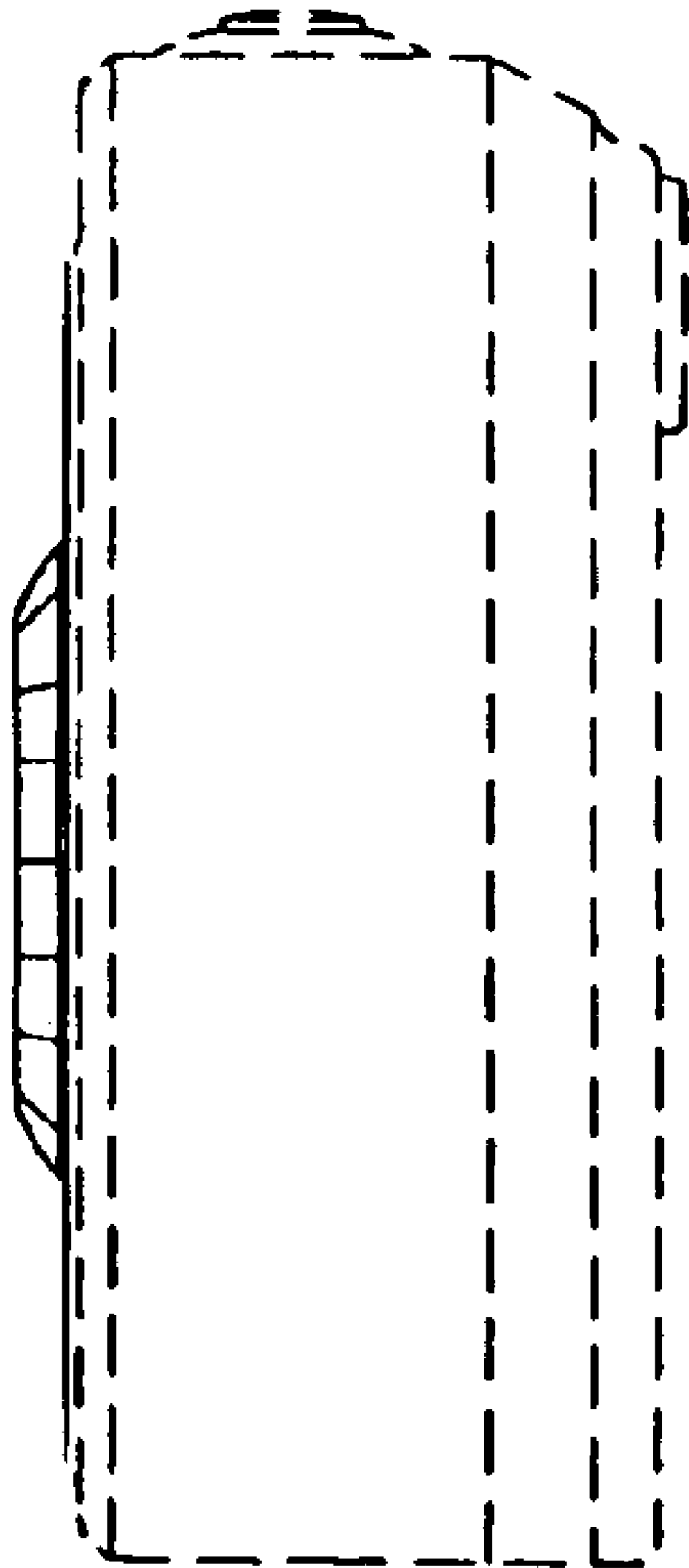


FIG. 4



**FIG. 5**

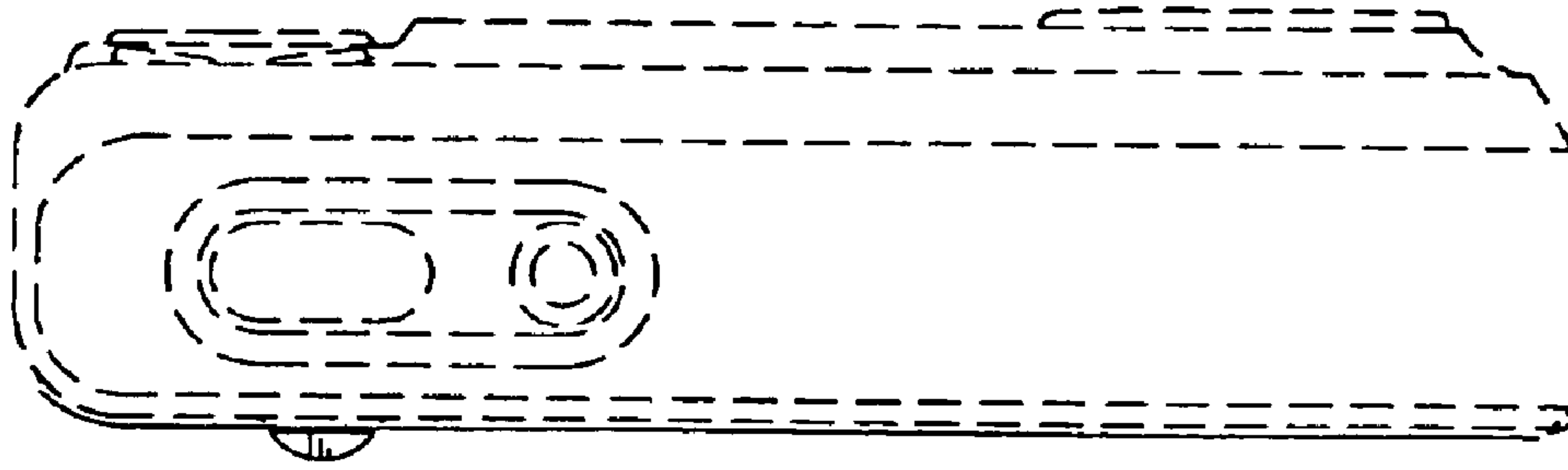


FIG. 6

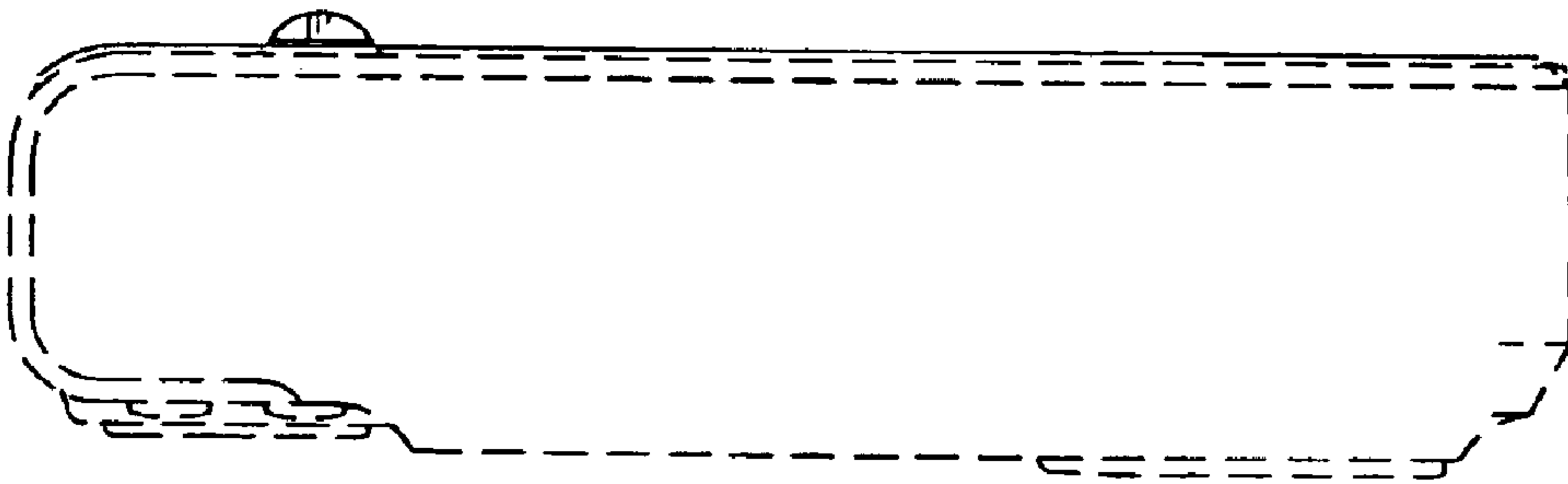


FIG. 7