

US00D502721S

(12) **United States Design Patent**
Horikiri

(10) **Patent No.:** **US D502,721 S**
(45) **Date of Patent:** **** Mar. 8, 2005**

(54) **ELECTRONIC CAMERA**

(75) Inventor: **Kazuhisa Horikiri, Tokyo (JP)**

(73) Assignee: **Fuji Photo Film Co., Ltd., Kanagawa (JP)**

(**) Term: **14 Years**

(21) Appl. No.: **29/203,865**

(22) Filed: **Apr. 21, 2004**

(30) **Foreign Application Priority Data**

Oct. 31, 2003 (JP) 2003-032264

(51) **LOC (7) Cl.** **16-01**

(52) **U.S. Cl.** **D16/202; D16/218**

(58) **Field of Search** **D16/200-206, D16/208, 209, 217, 218, 219, 243; 348/373-376; 358/906, 909.1; 396/6, 535, 536-541**

(56) **References Cited**

U.S. PATENT DOCUMENTS

5,974,266 A * 10/1999 DiRisio et al. 396/6
6,463,222 B1 * 10/2002 Ito et al. 396/541

D475,073 S * 5/2003 Omino D16/202
D484,162 S * 12/2003 Moore et al. D16/202
D488,827 S * 4/2004 Dow et al. D16/218
2003/0160886 A1 * 8/2003 Misawa et al. 348/373

* cited by examiner

Primary Examiner—Adir Aronovich

(74) *Attorney, Agent, or Firm*—Young & Thompson

(57) **CLAIM**

The ornamental design for an electronic camera, as shown.

DESCRIPTION

FIG. 1 is a top, front and side perspective view of an electronic camera showing my new design; FIG. 2 is a front elevational view thereof; FIG. 3 is a rear elevational view thereof; FIG. 4 is a top plan view thereof; FIG. 5 is a bottom plan view thereof; FIG. 6 is a side elevational view thereof from the left of FIG. 2; and, FIG. 7 is a side elevational view thereof from the right of FIG. 2.

1 Claim, 4 Drawing Sheets

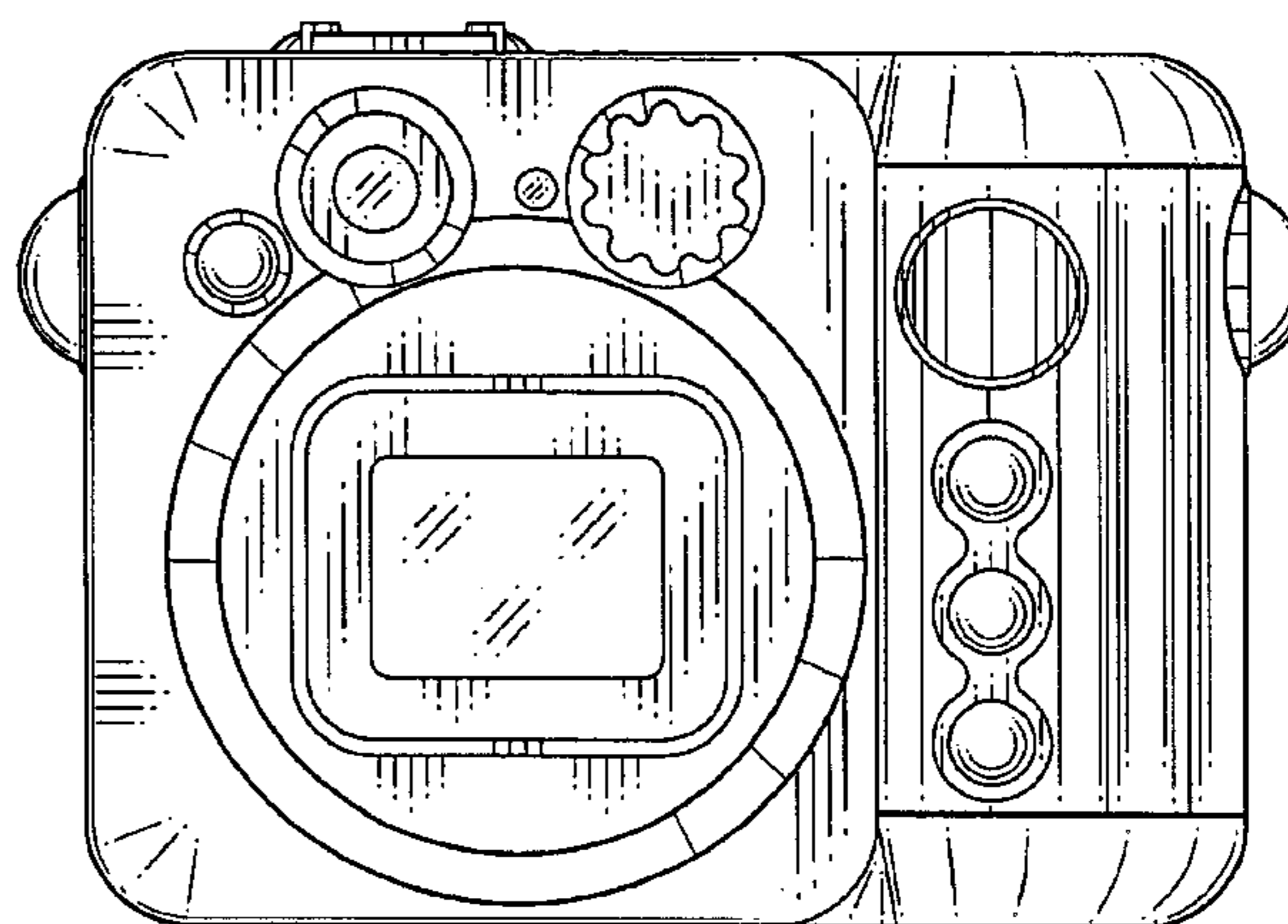
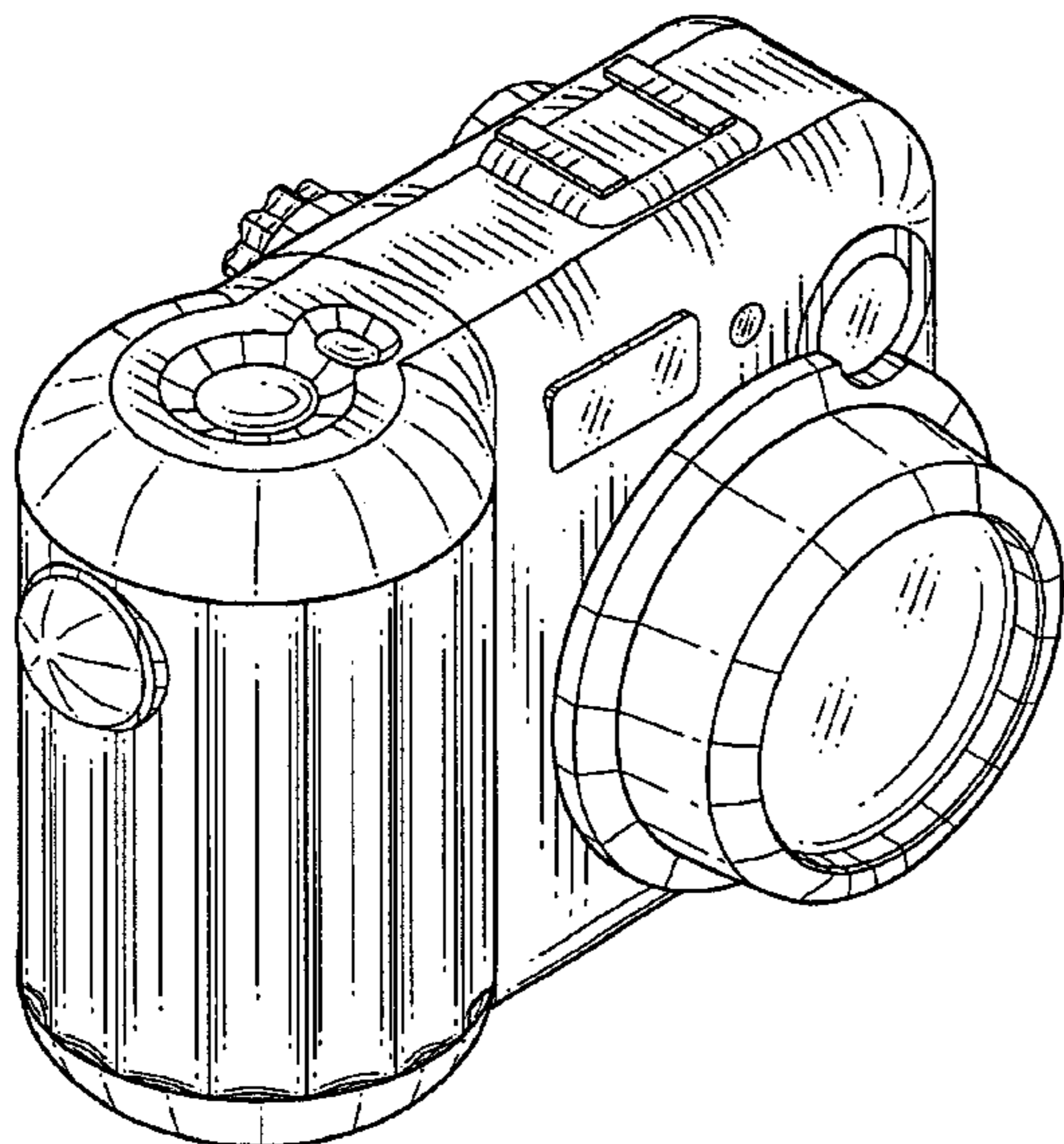


FIG.1

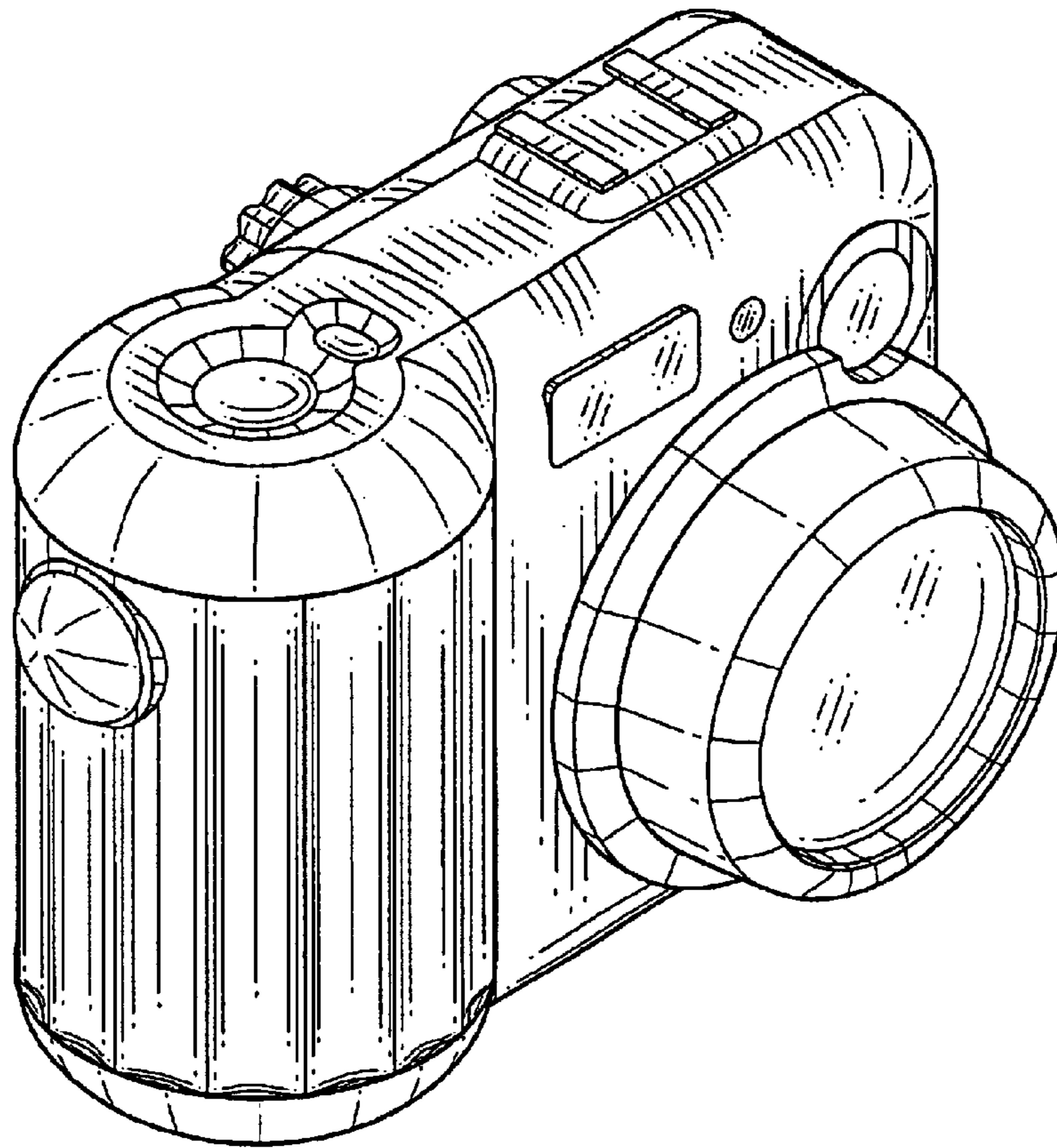


FIG.2

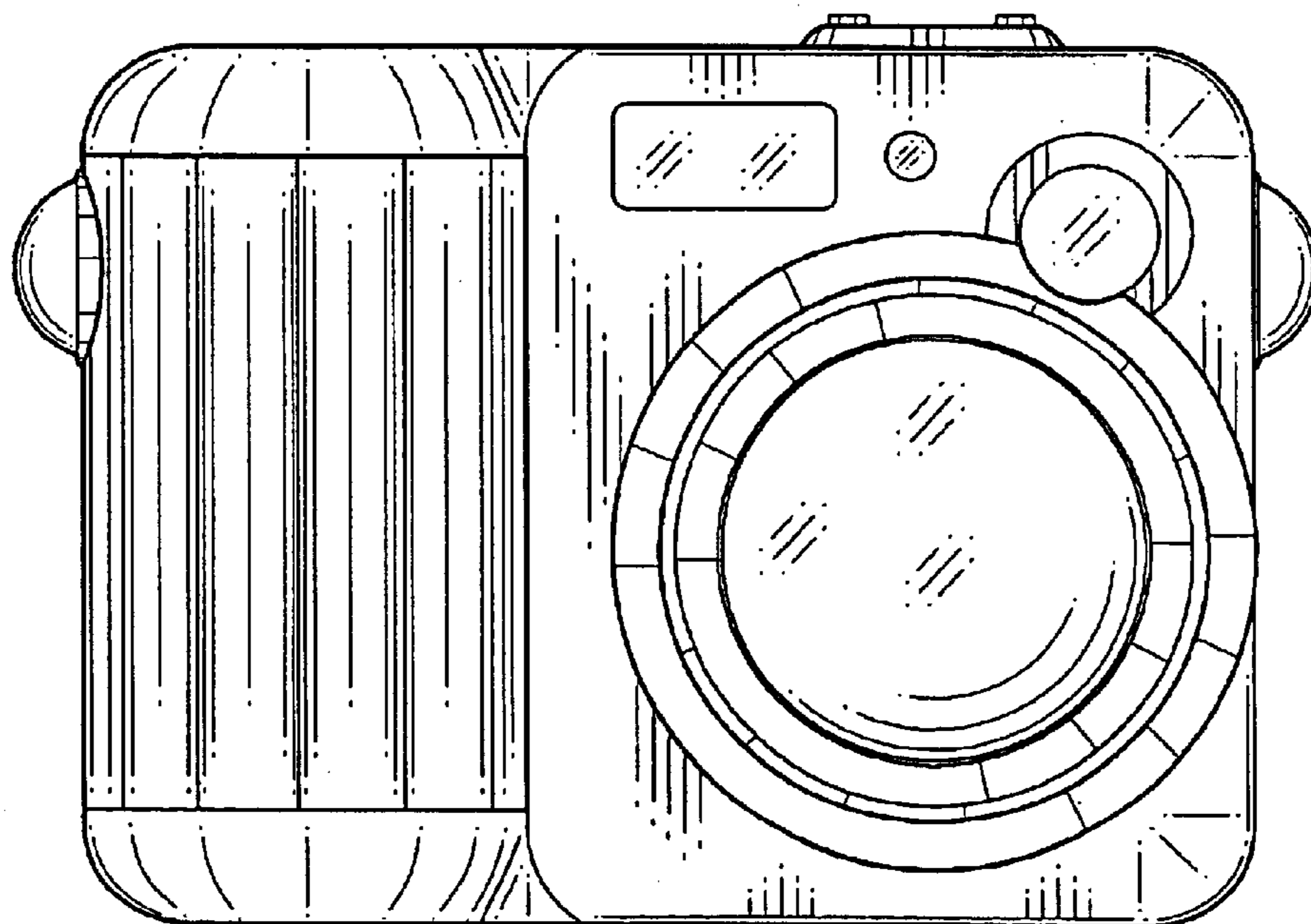


FIG.3

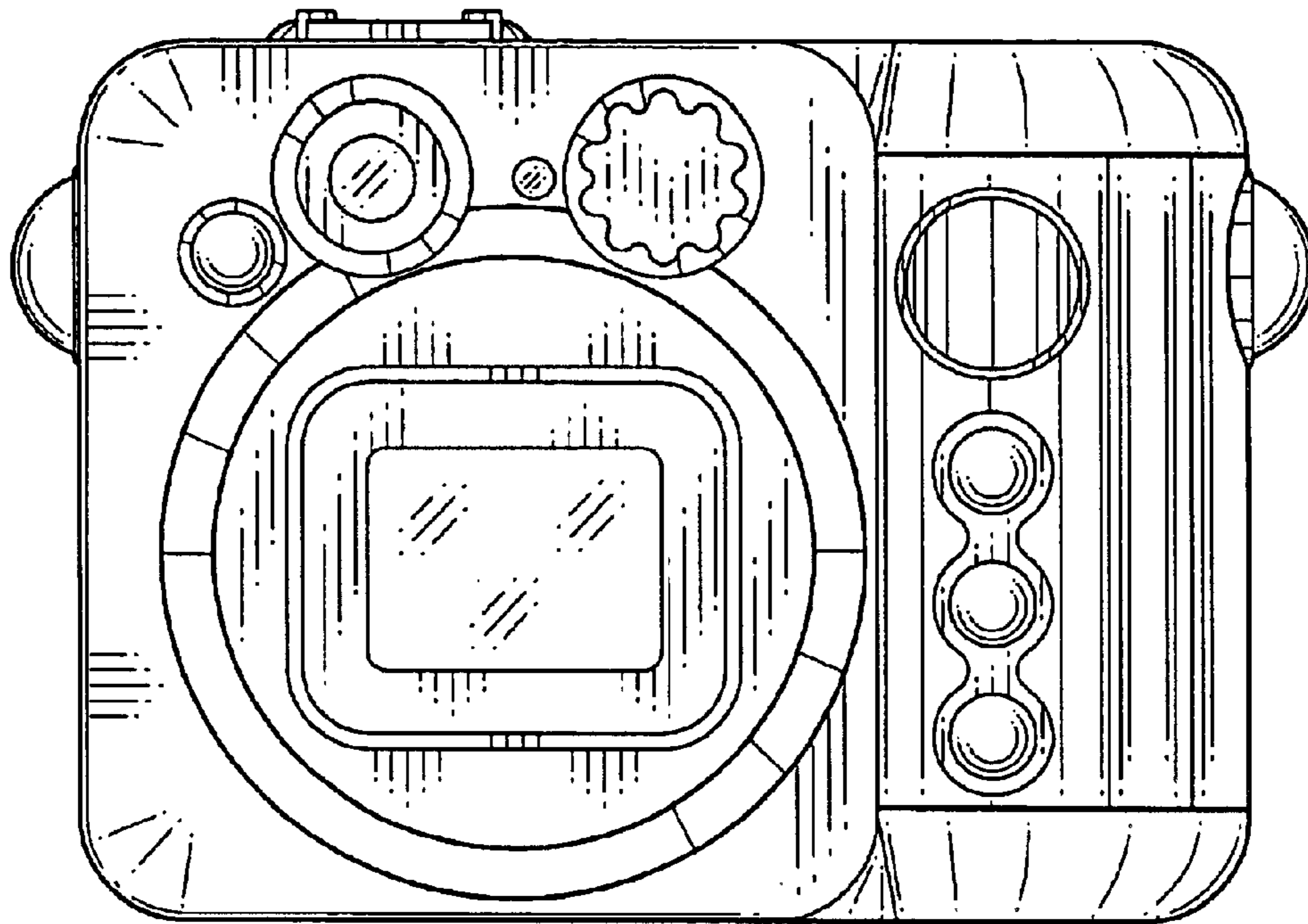


FIG.4

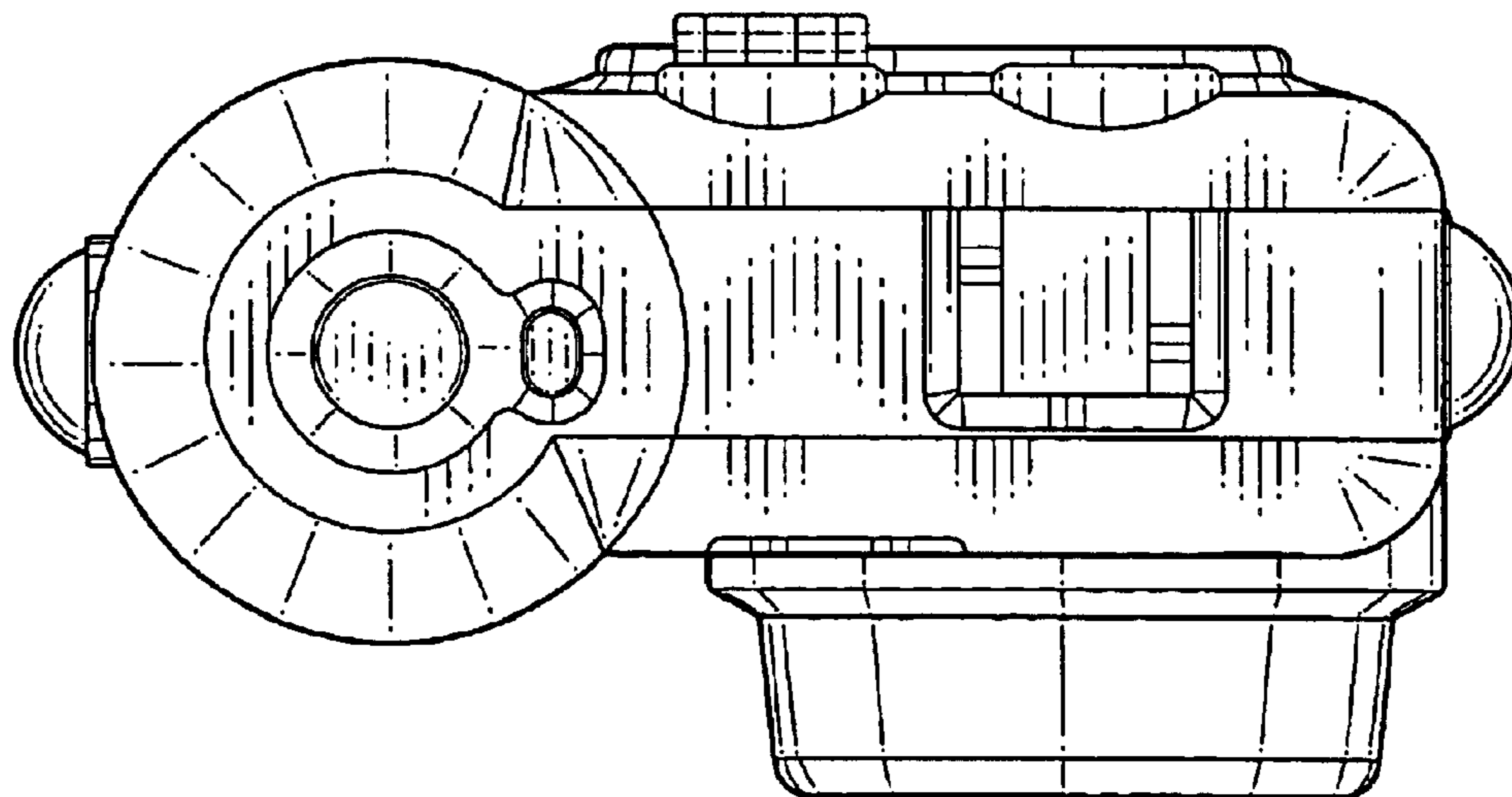


FIG.5

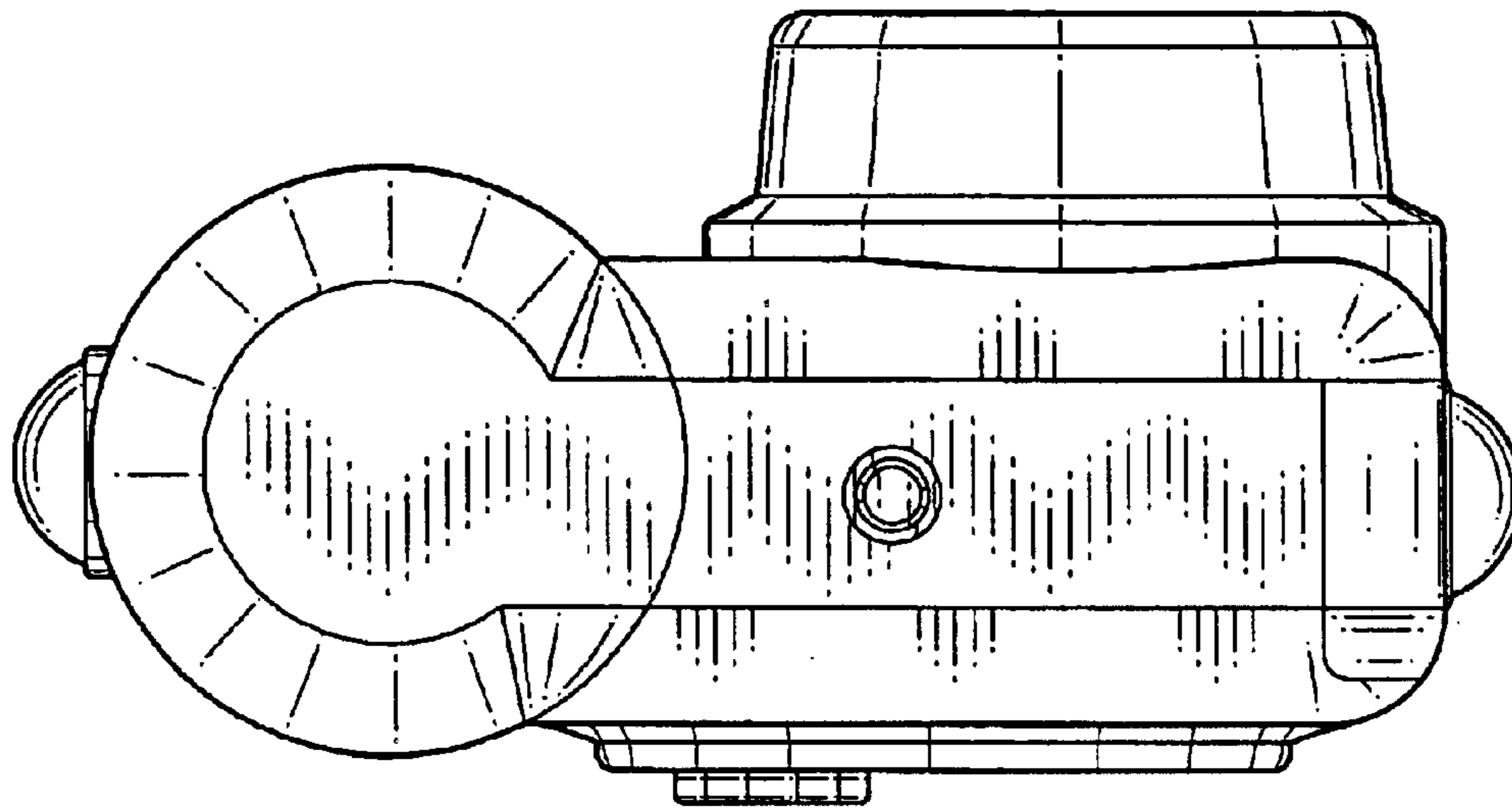


FIG.6

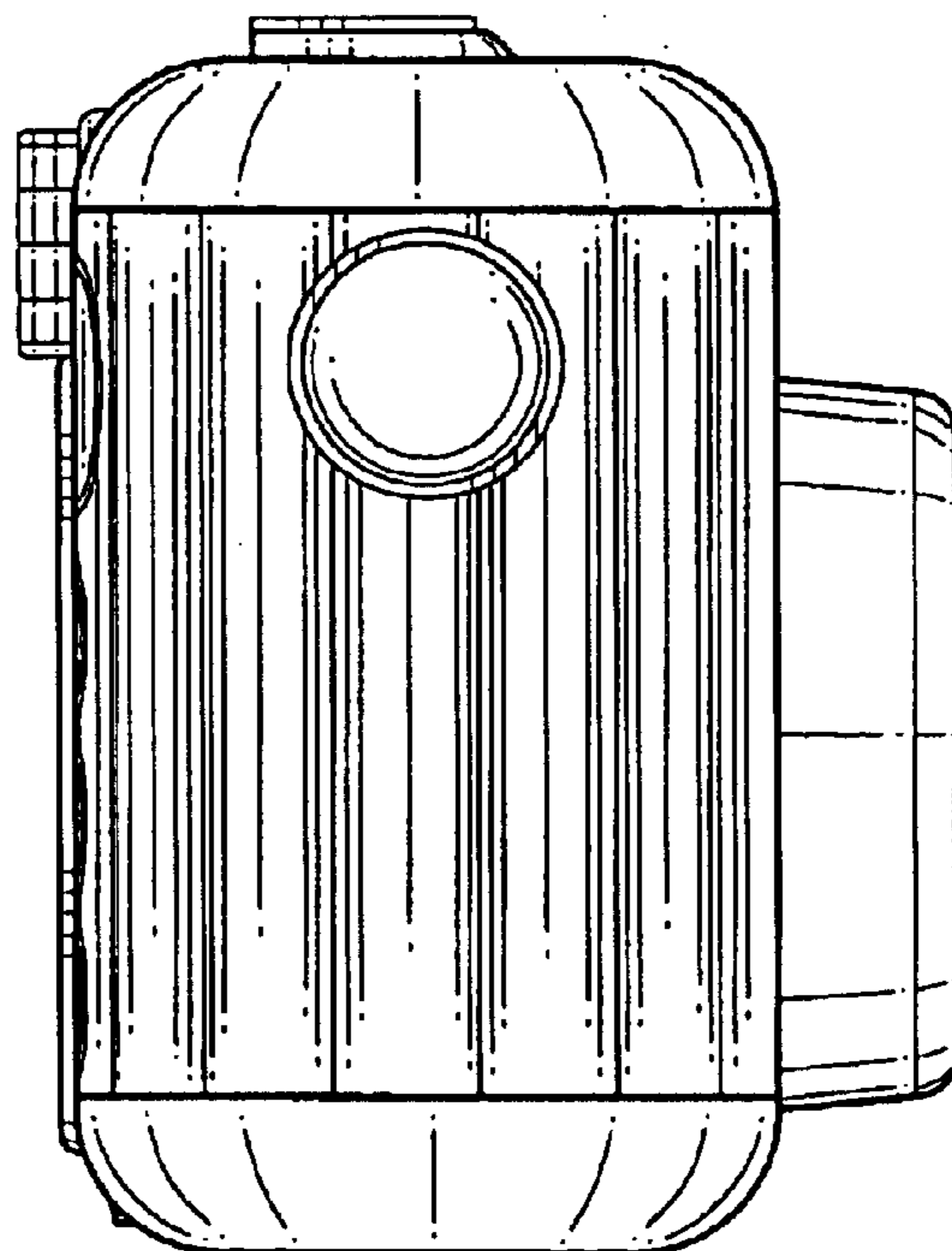


FIG. 7

