

US00D502719S

(12) **United States Design Patent**
Yip et al.

(10) **Patent No.:** **US D502,719 S**
(45) **Date of Patent:** **** Mar. 8, 2005**

(54) **MAGNIFIER**

(75) Inventors: **Gin Fai Yip**, North Point (HK); **Bryan Yip**, Kowloon (HK)

(73) Assignee: **Leading Extreme Optimist Industries, Ltd.**, Chai Wan (HK)

(**) Term: **14 Years**

(21) Appl. No.: **29/189,562**

(22) Filed: **Sep. 8, 2003**

(51) **LOC (7) Cl.** **16-06**

(52) **U.S. Cl.** **D16/135**

(58) **Field of Search** D16/130, 135,
D16/802, 803, 805, 808, 810, 812; D26/38,
44, 51; 362/157, 109, 253

(56) **References Cited**

U.S. PATENT DOCUMENTS

D291,448 S * 8/1987 Tai-Kam D16/135
D298,634 S * 11/1988 Yuen D16/135

D426,246 S * 6/2000 Hennessy et al. D16/135
D426,247 S * 6/2000 Lee D16/135
D428,032 S * 7/2000 Lee D16/135
D483,780 S * 12/2003 Overholser D16/135

* cited by examiner

Primary Examiner—Paula A. Greene

(74) *Attorney, Agent, or Firm*—Carmody & Torrance LLP

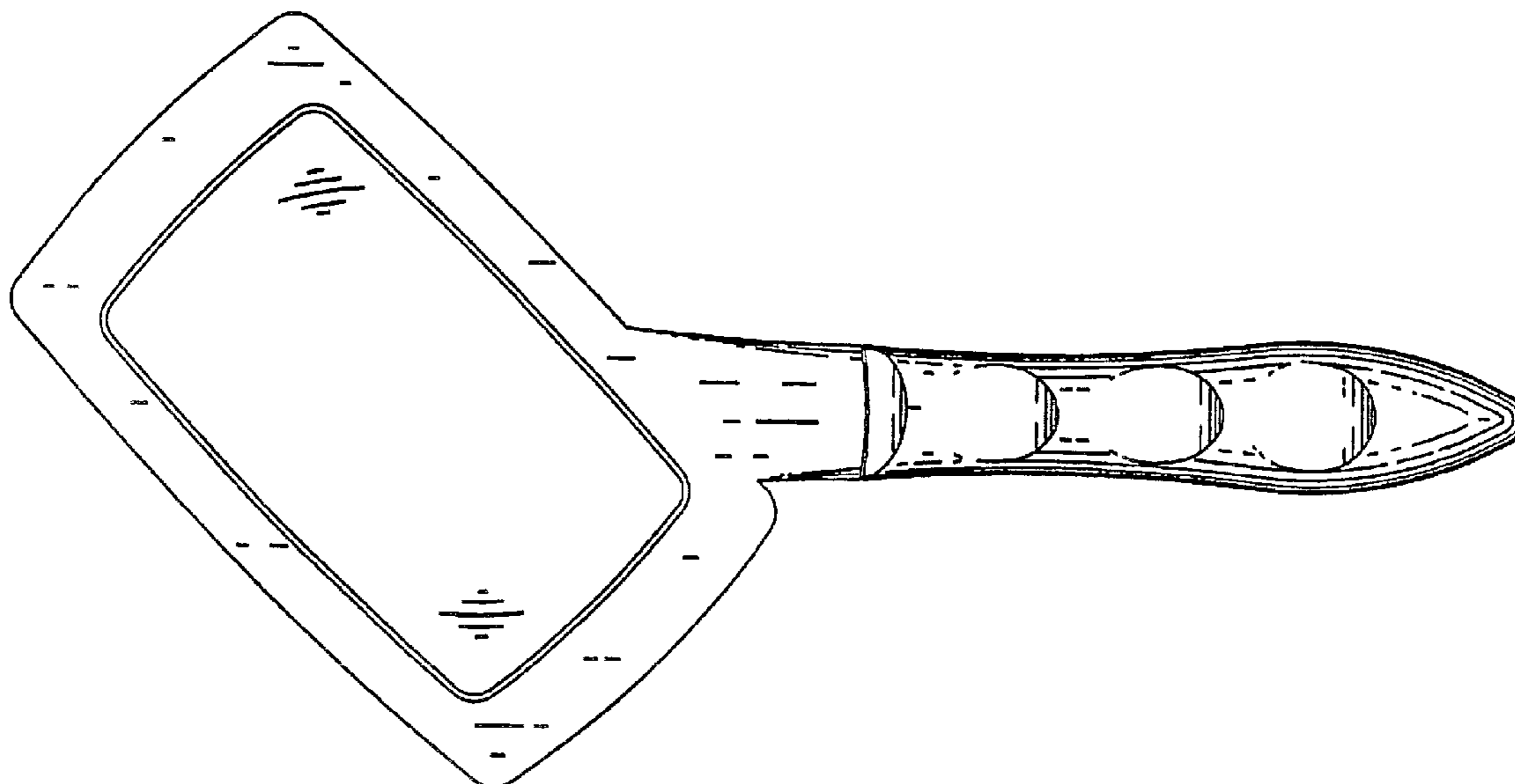
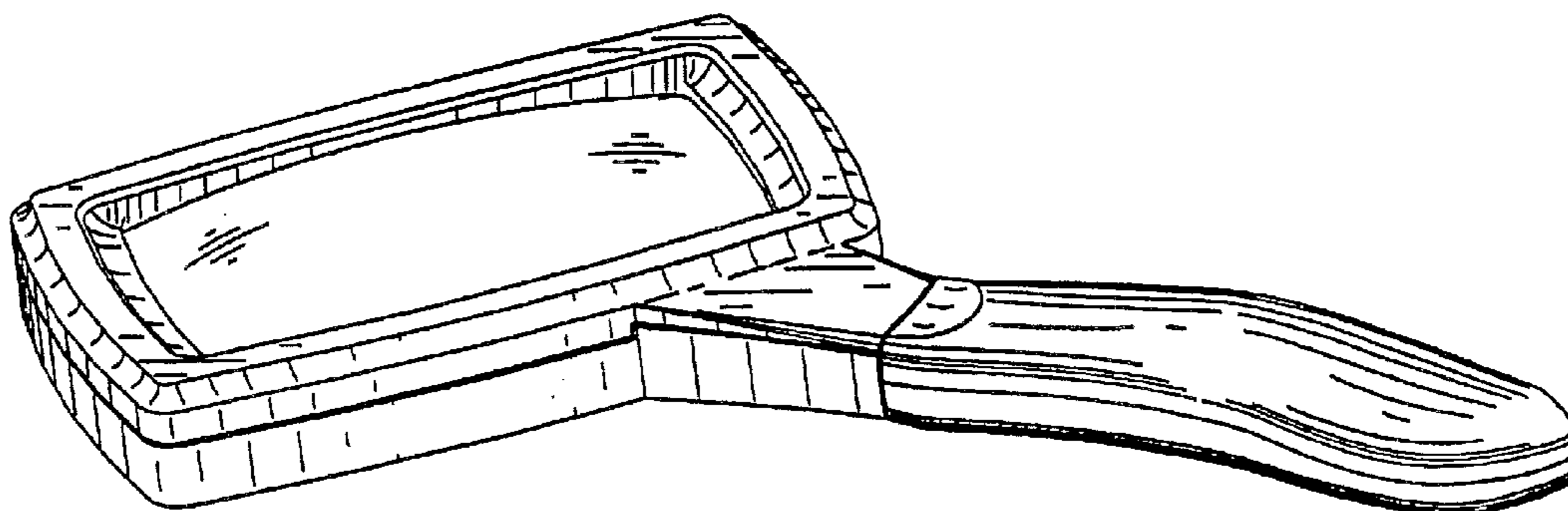
(57) **CLAIM**

The ornamental design for a magnifier, as shown and described.

DESCRIPTION

FIG. 1 is a perspective view of a magnifier showing our new design;
FIG. 2 is a top plan view thereof;
FIG. 3 is a left side elevational view thereof;
FIG. 4 is a right side elevational view thereof;
FIG. 5 is a first end elevational view thereof;
FIG. 6 is a second end elevational view thereof; and,
FIG. 7 is a bottom plan view thereof.

1 Claim, 5 Drawing Sheets



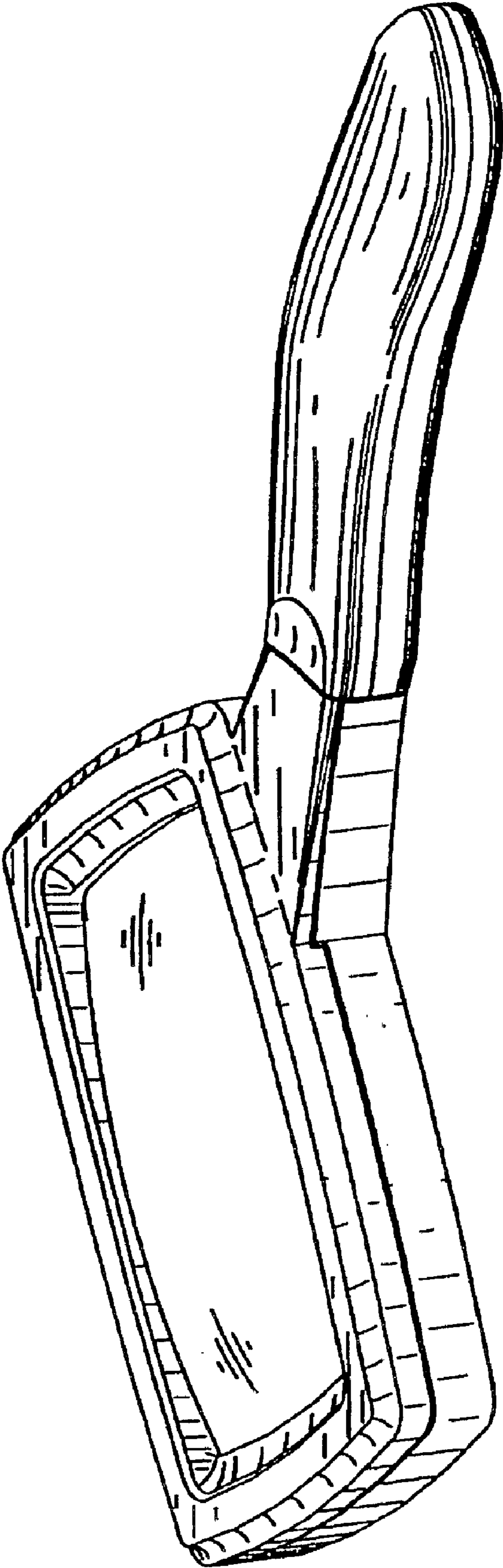


FIG. 1

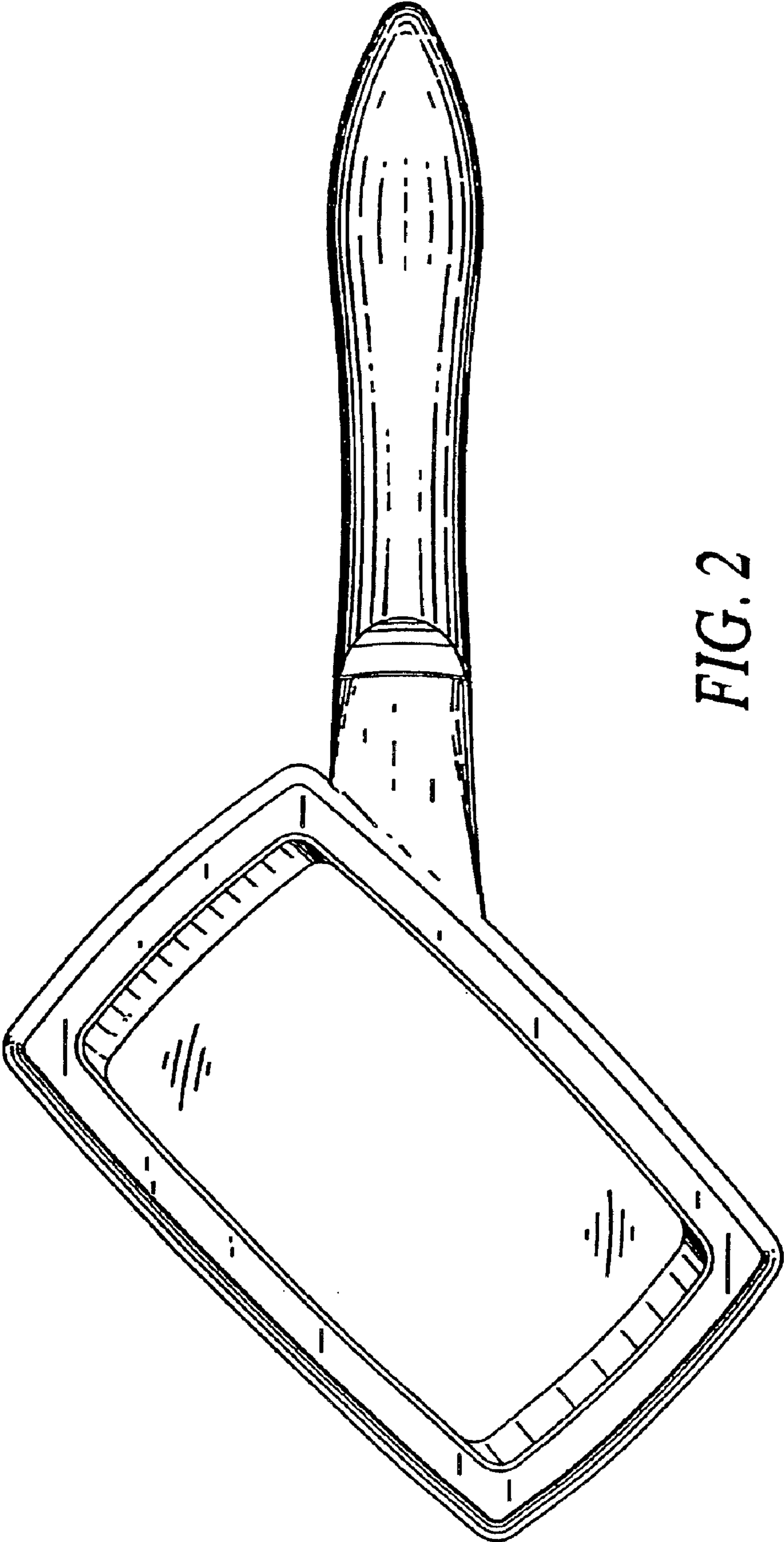


FIG. 2

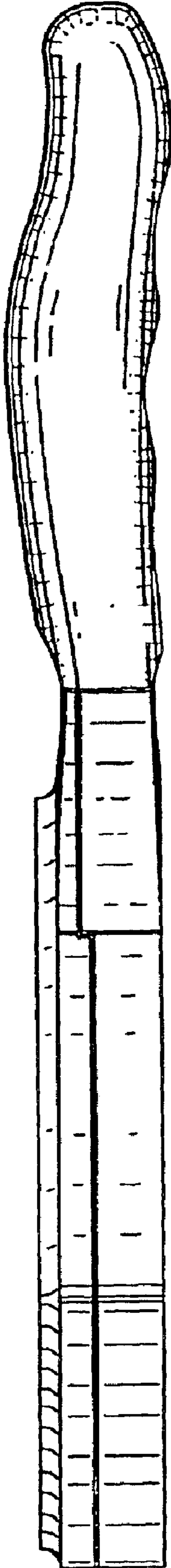


FIG. 3

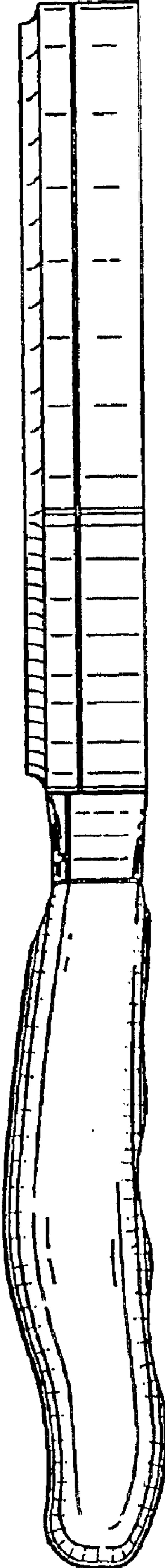


FIG. 4

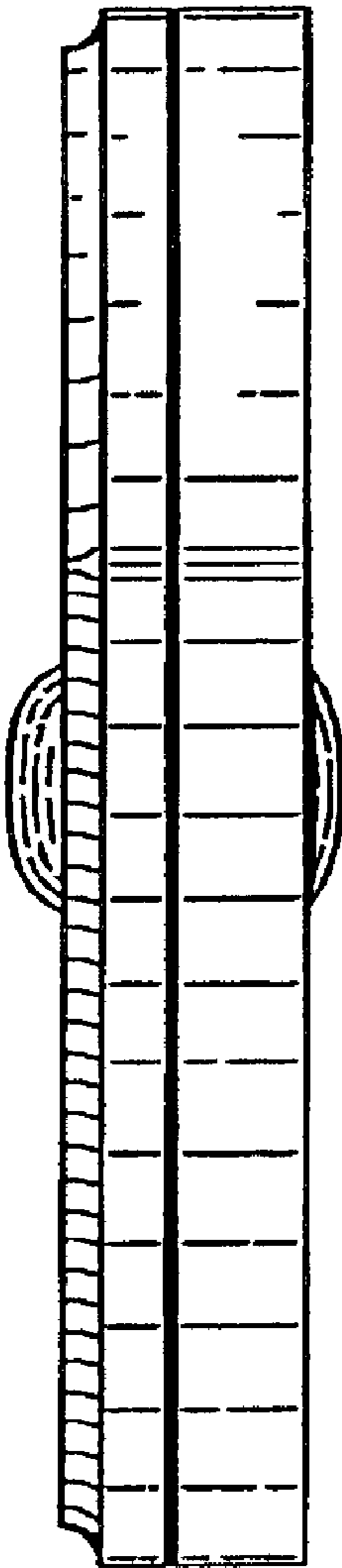


FIG. 5

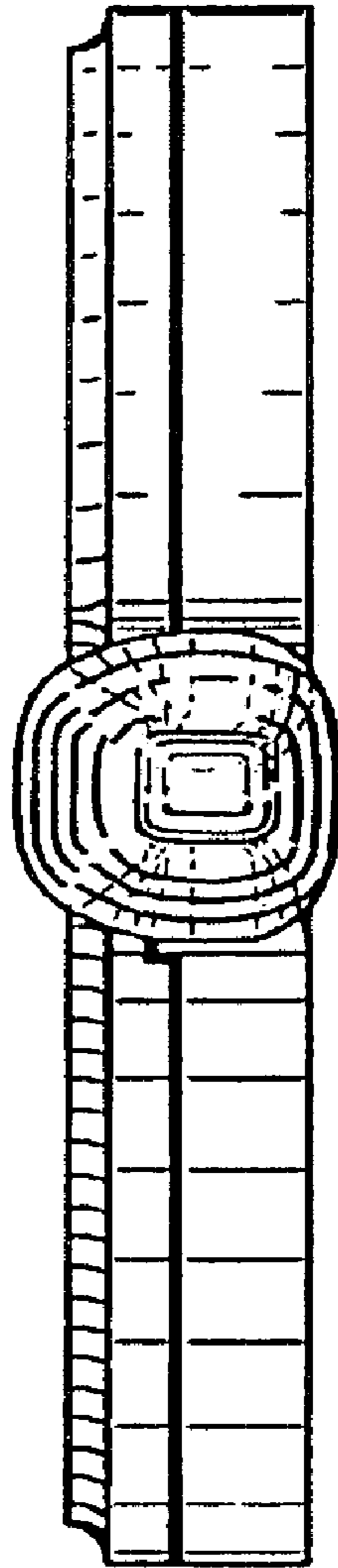


FIG. 6

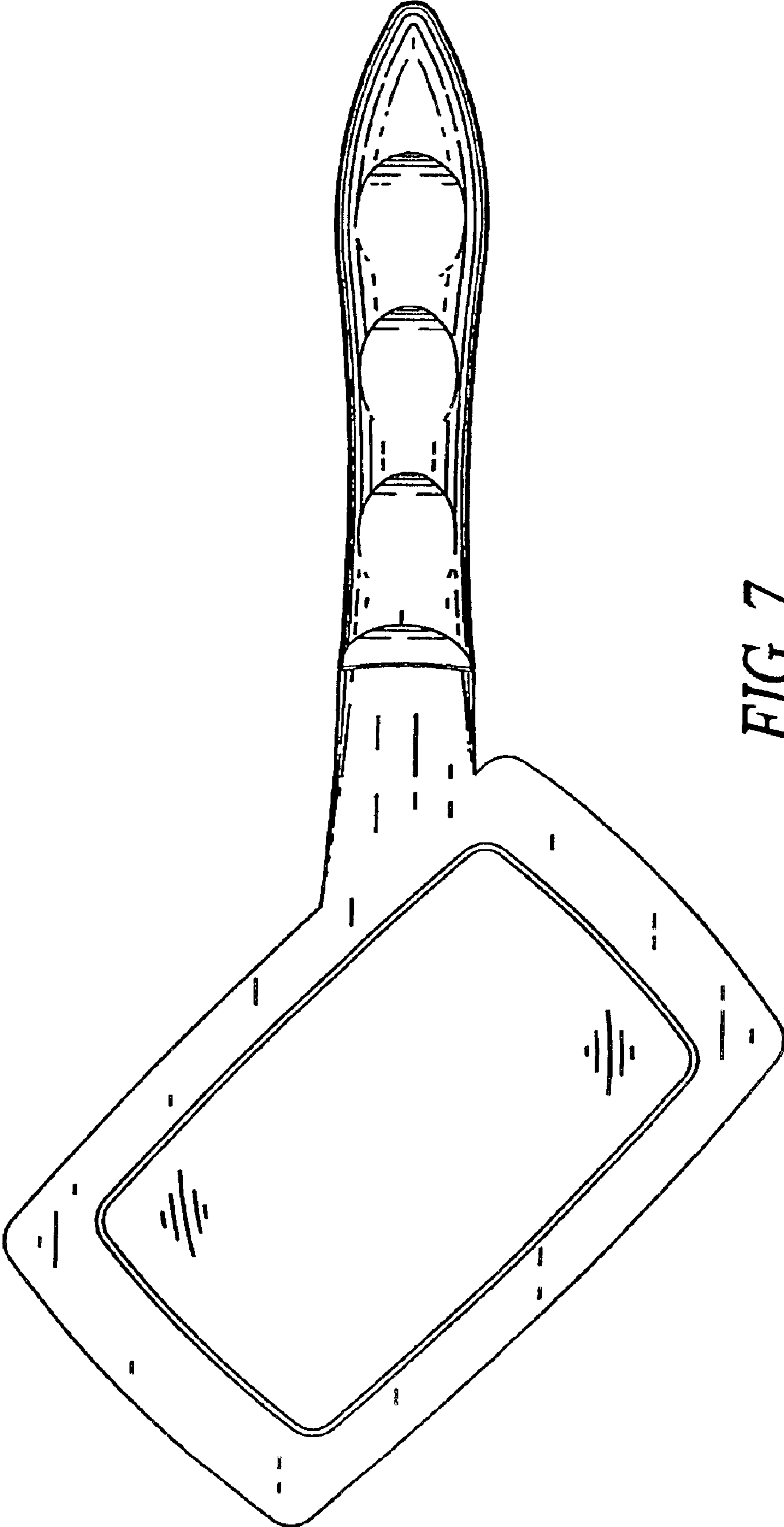


FIG. 7