

US00D502718S

(12) **United States Design Patent**
Matsushita

(10) **Patent No.:** **US D502,718 S**
(45) **Date of Patent:** **** Mar. 8, 2005**

(54) **BINOCULARS**

(75) Inventor: **Takeshi Matsushita, Tokyo (JP)**

(73) Assignee: **PENTAX Corporation, Tokyo (JP)**

(**) Term: **14 Years**

(21) Appl. No.: **29/200,664**

(22) Filed: **Mar. 4, 2004**

(30) **Foreign Application Priority Data**

Sep. 5, 2003 (JP) 2003-025989

(51) **LOC (7) Cl.** **16-06**

(52) **U.S. Cl.** **D16/133**

(58) **Field of Search** D16/130, 132,
D16/133; 359/407, 408, 409, 410, 411,
412, 413, 414, 415, 416, 417, 418, 480,
481, 482

(56) **References Cited**

U.S. PATENT DOCUMENTS

D306,606 S * 3/1990 Yamanaka et al. D16/133
D360,215 S * 7/1995 Moro et al. D16/133
D375,106 S * 10/1996 Matsuda et al. D16/133
D376,167 S * 12/1996 Hayamizu D16/133

D413,131 S * 8/1999 Koinuma D16/133
D430,586 S * 9/2000 Inaba D16/133
D473,247 S * 4/2003 Koinuma D16/133

* cited by examiner

Primary Examiner—Paula A. Greene

(74) *Attorney, Agent, or Firm*—Sughrue Mion, PLLC

(57) **CLAIM**

The ornamental design for binoculars, as shown and described.

DESCRIPTION

FIG. 1 is a perspective view of the top, front and right side of binoculars showing my new design;

FIG. 2 is a perspective view of the bottom, rear and right side thereof;

FIG. 3 is a front elevational view thereof;

FIG. 4 is a rear elevational view thereof;

FIG. 5 is a right side elevational view thereof;

FIG. 6 is a left side elevational view thereof;

FIG. 7 is a top plan view; and,

FIG. 8 is a bottom plan view thereof.

The broken lines are for illustrative purposes only and forms no part of the claimed design.

1 Claim, 6 Drawing Sheets

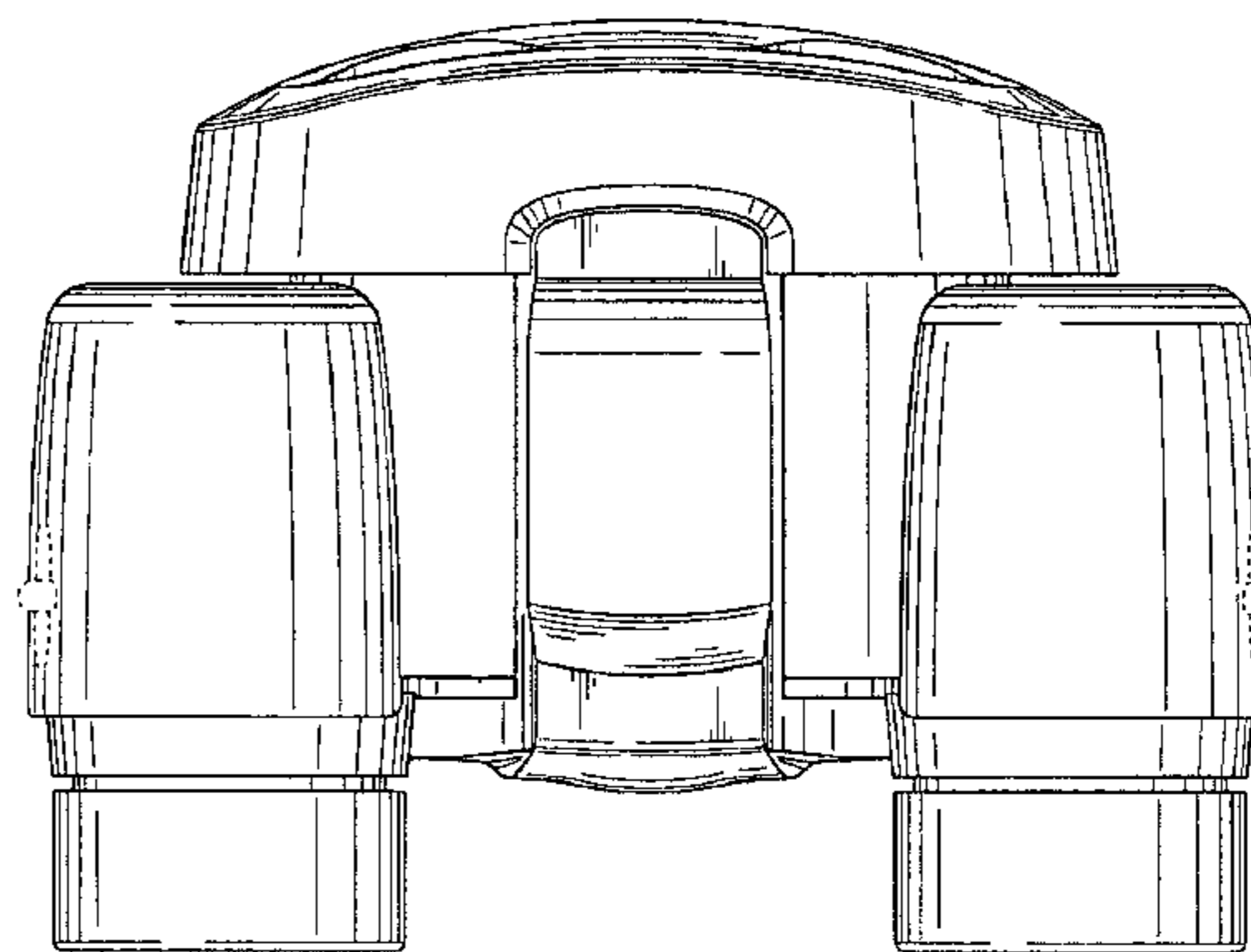
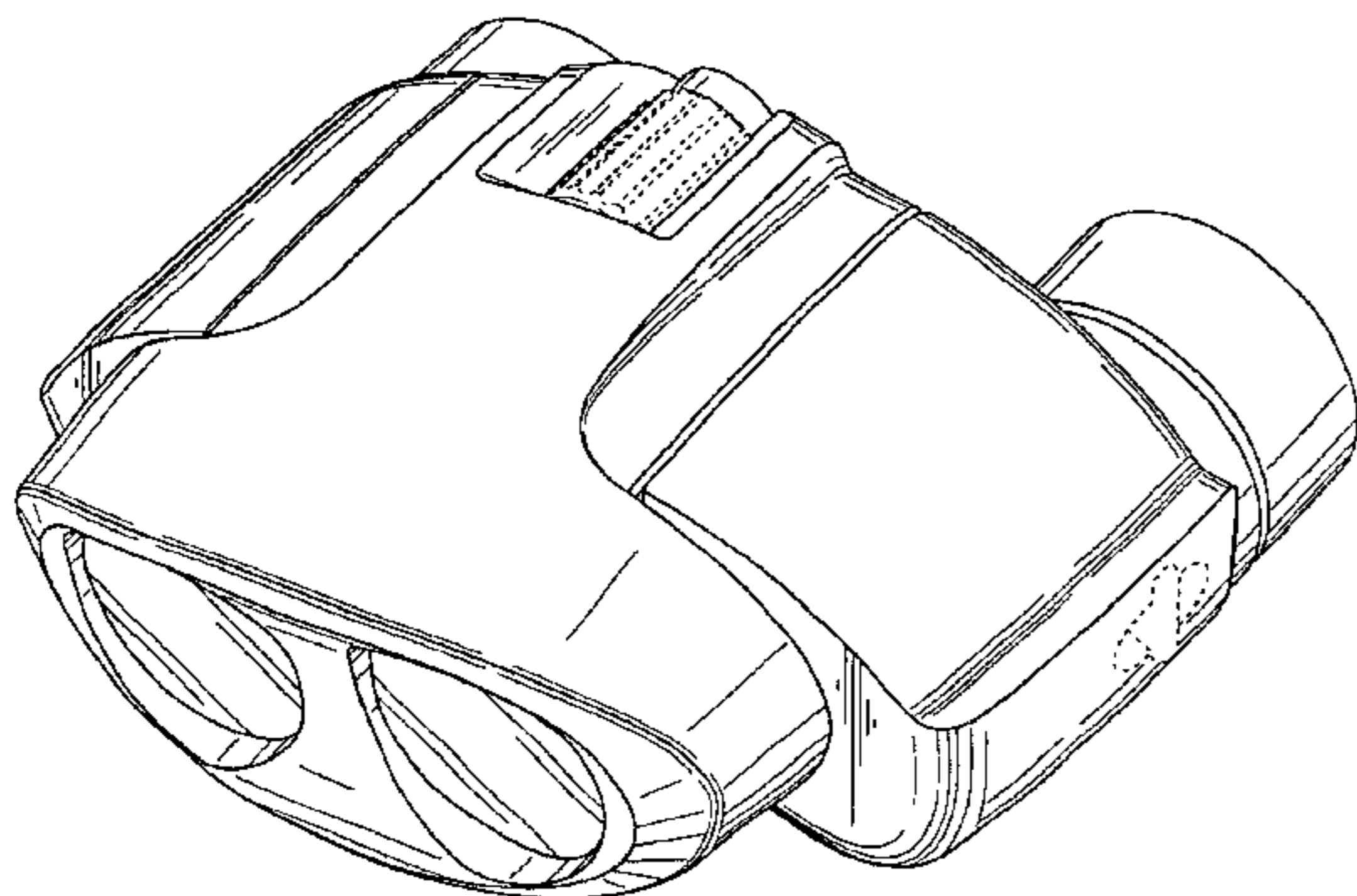


FIG. 1

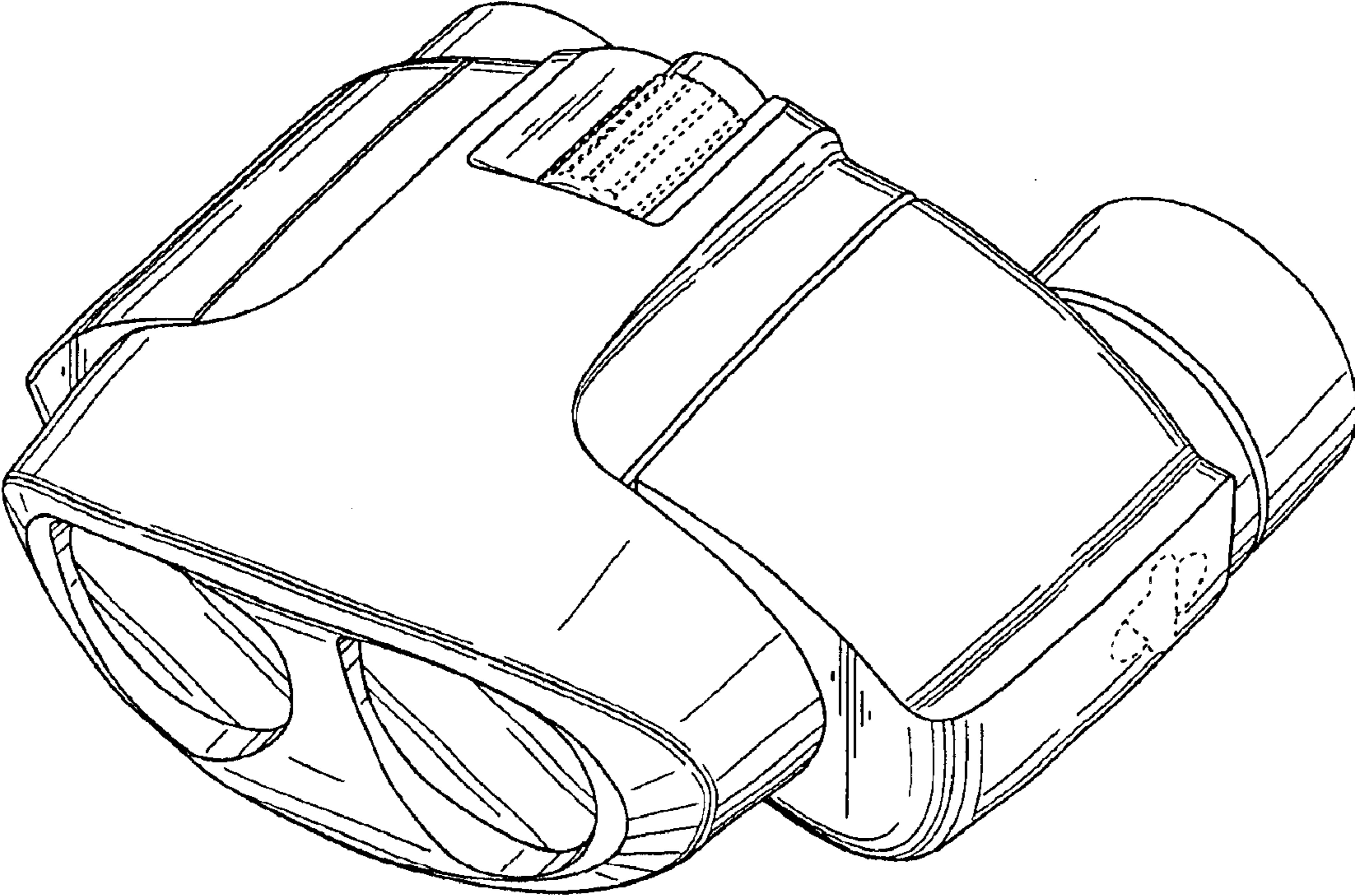


FIG. 2

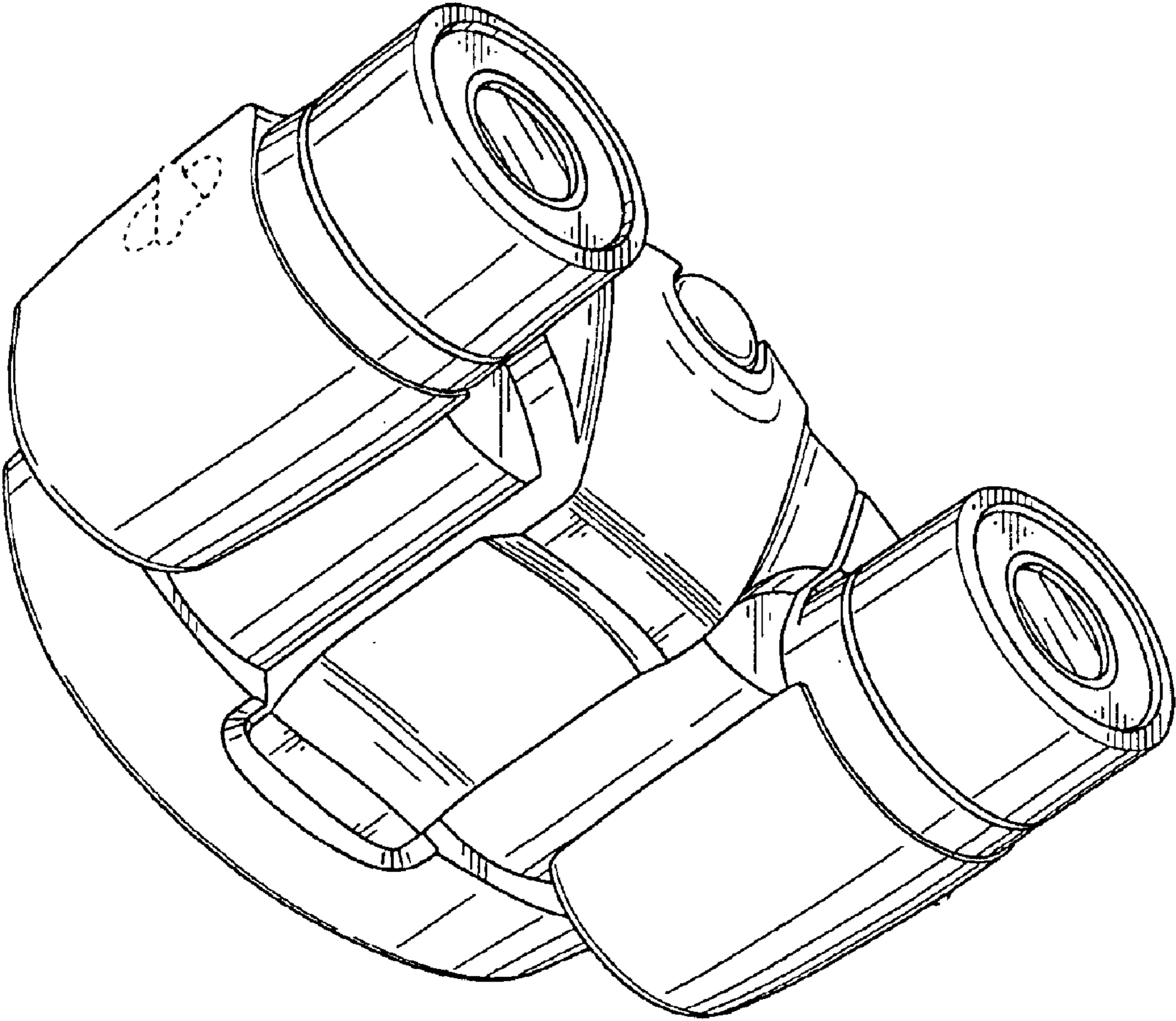


FIG. 3

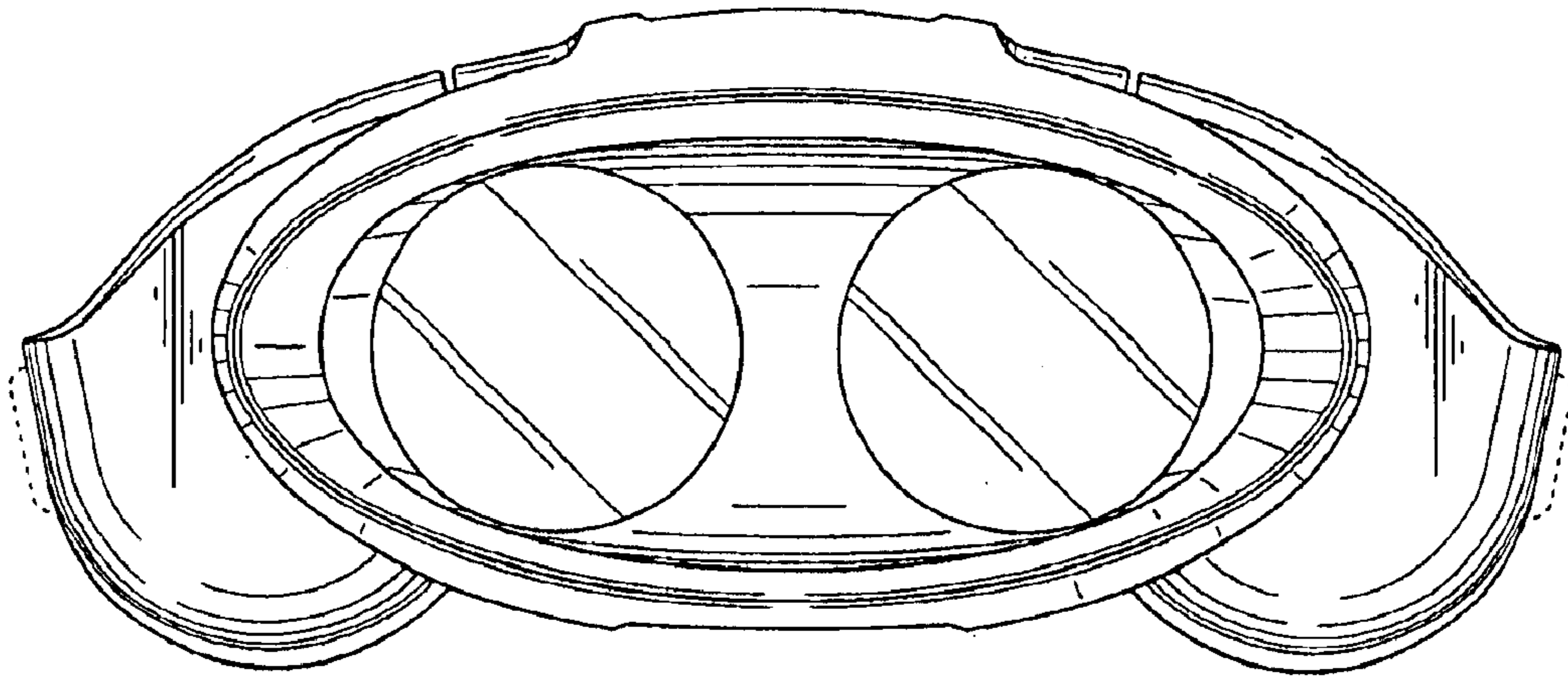


FIG. 4

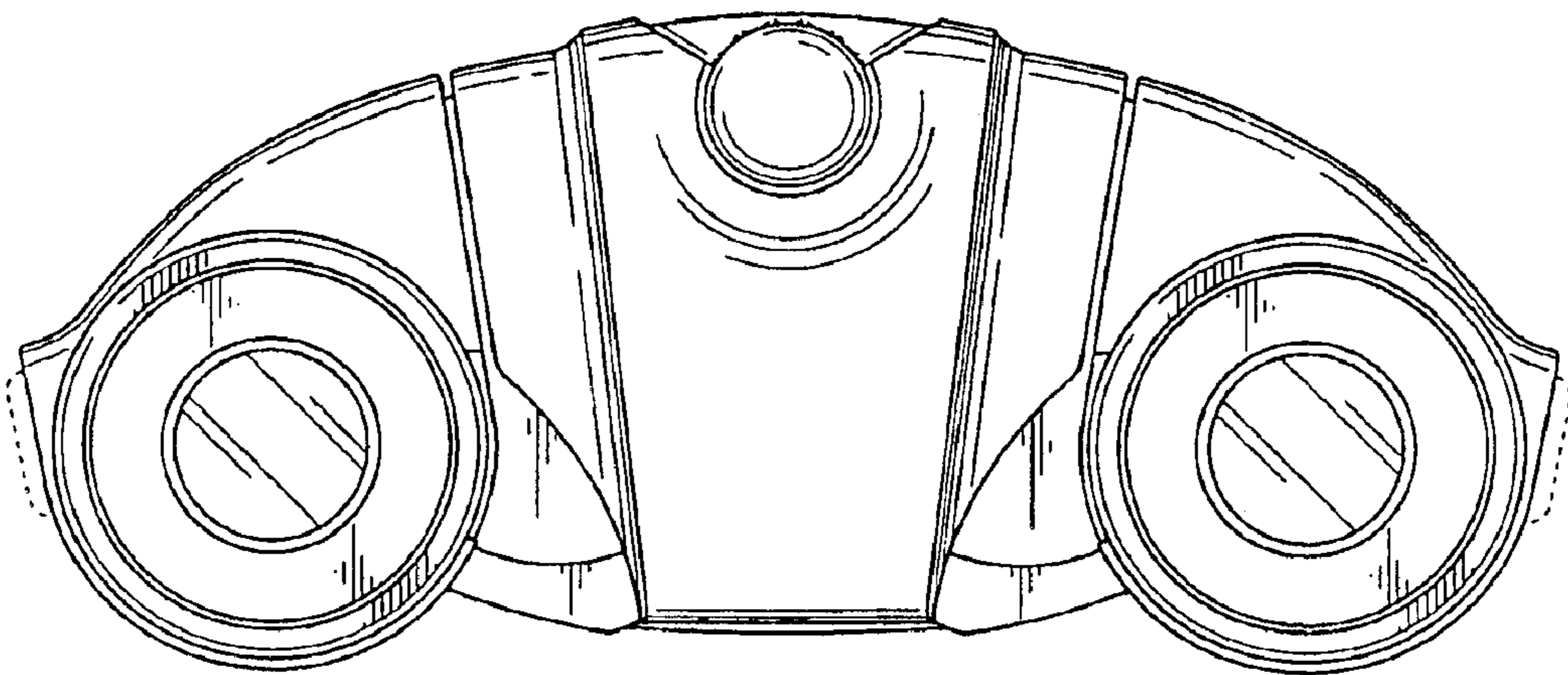


FIG. 5

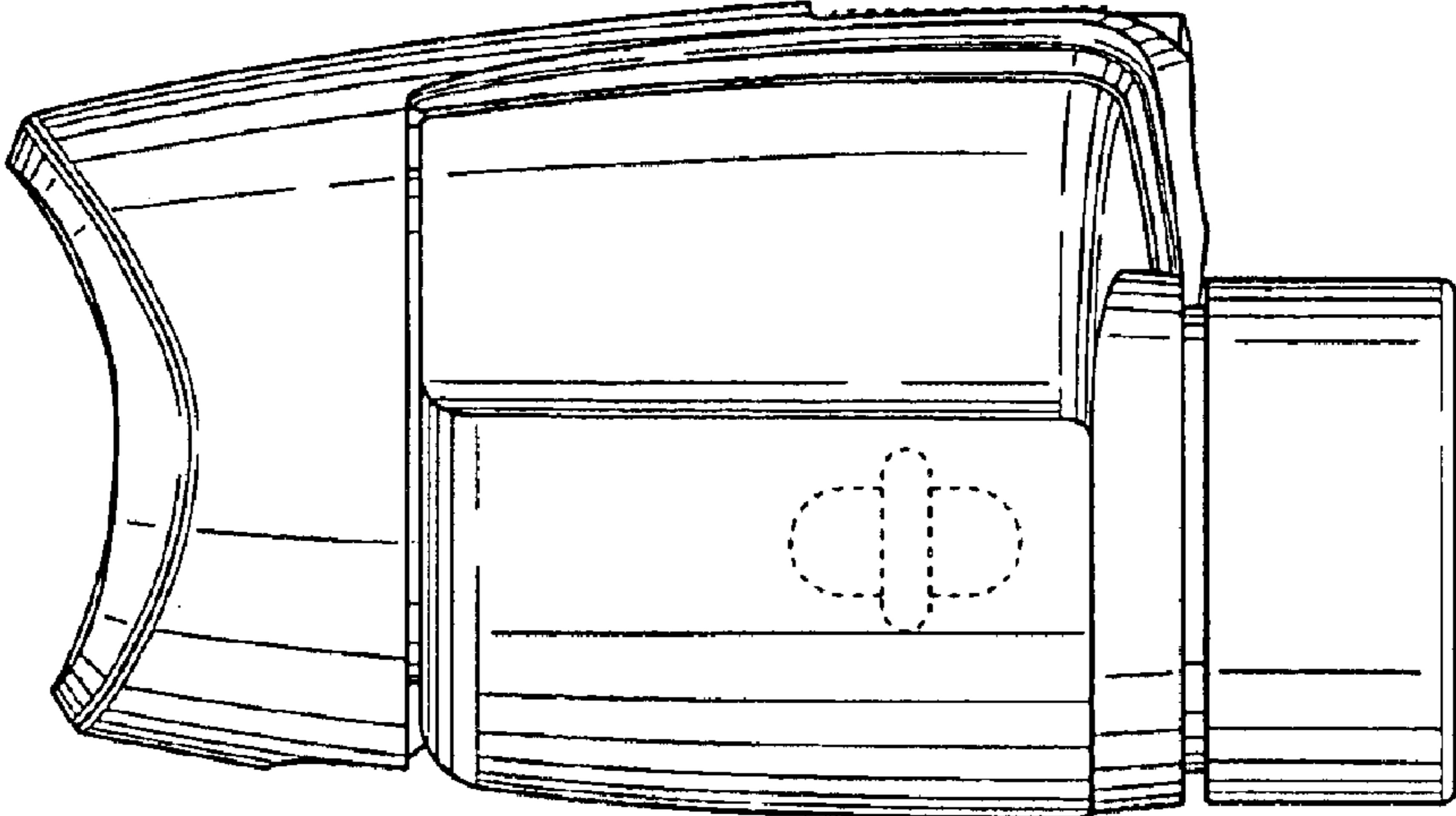


FIG. 6

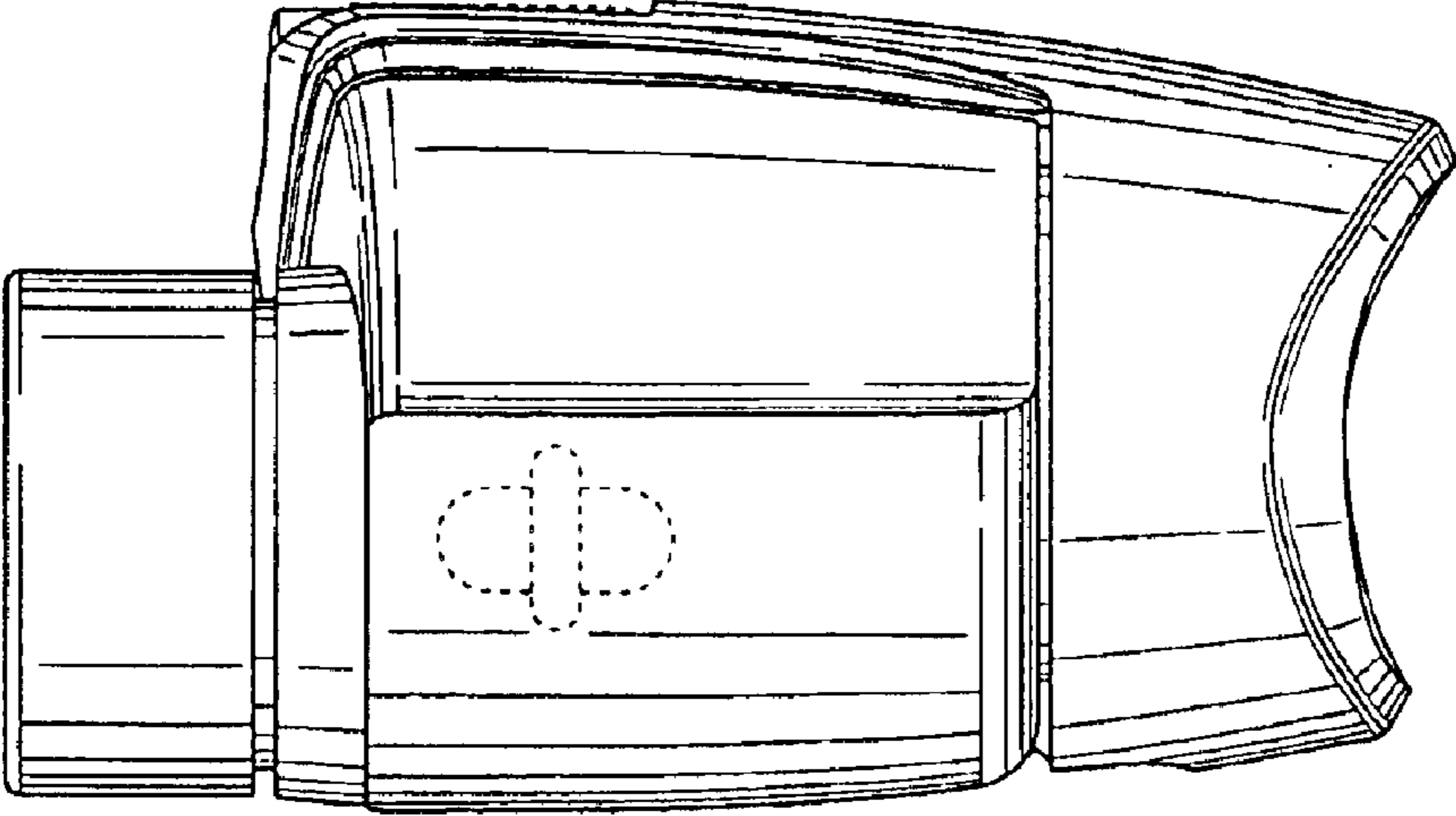


FIG. 7

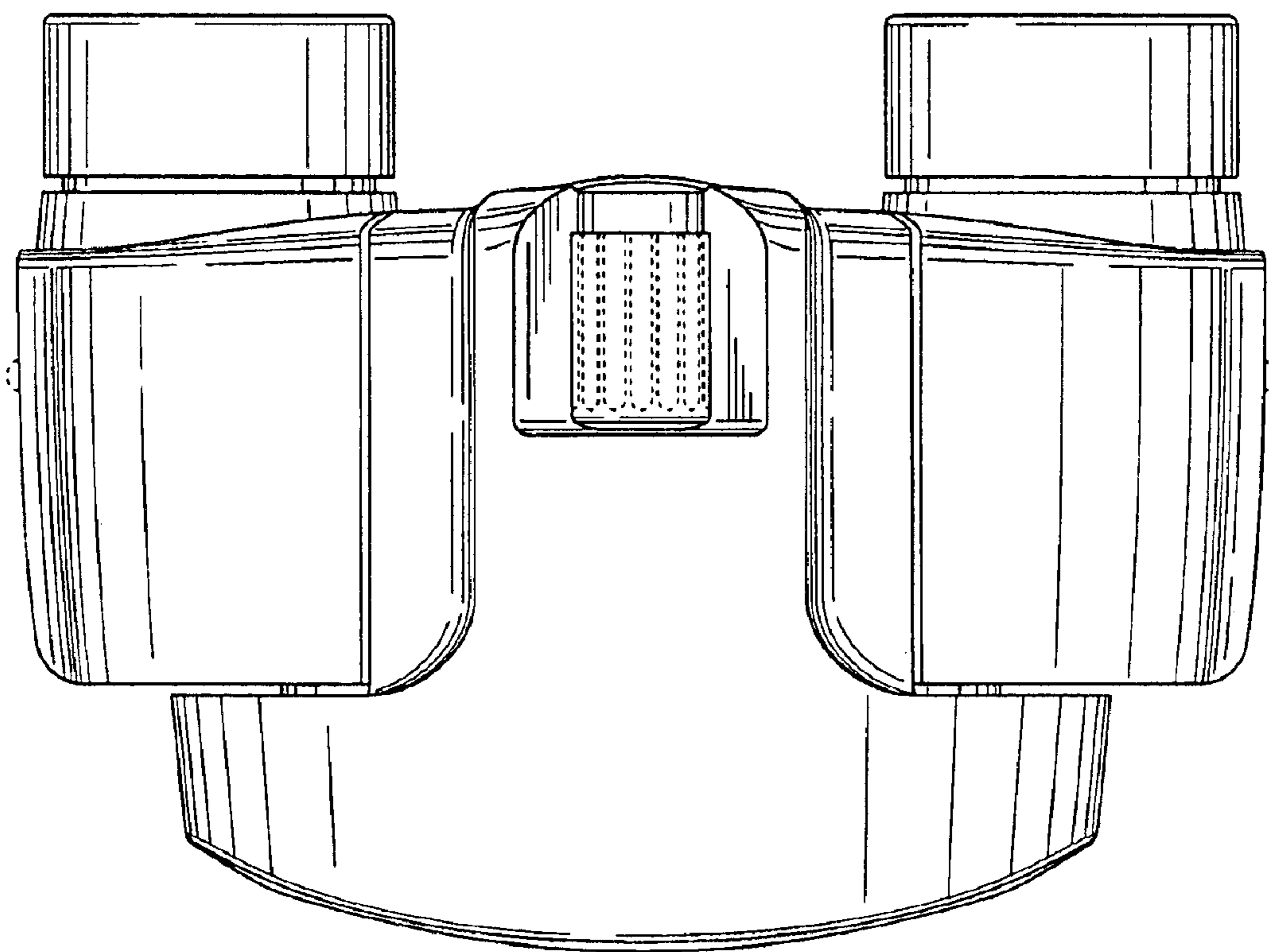


FIG. 8

