

US00D502717S

(12) **United States Design Patent** (10) **Patent No.:** **US D502,717 S**
Wanschura et al. (45) **Date of Patent:** **** Mar. 8, 2005**

(54) **AXIAL PISTON MACHINE**

(75) Inventors: **Guenter Wanschura**, Ulm (DE);
Juergen Gintner, Elchingen (DE);
Jerzy Kreja, Nersingen (DE)

(73) Assignee: **Brueninghaus Hydromatik GmbH**,
Elchingen (DE)

(**) Term: **14 Years**

(21) Appl. No.: **29/196,931**

(22) Filed: **Jan. 7, 2004**

(30) **Foreign Application Priority Data**

Jul. 8, 2003 (DE) 403 04 647

(51) **LOC (7) Cl.** **15-09**

(52) **U.S. Cl.** **D15/149**

(58) **Field of Search** D15/148, 149,
D15/1, 3, 5; 92/12.2, 19-21, 71, 129; 91/476,
499, 505; 417/222.1, 212, 269, 319, 218

(56) **References Cited**

U.S. PATENT DOCUMENTS

6,077,050 A * 6/2000 Beck 92/72
6,155,798 A * 12/2000 Deininger et al. 92/12.2

6,318,238 B1 * 11/2001 Becker et al. 92/72
6,405,634 B1 * 6/2002 Hansen 92/71
6,443,706 B1 * 9/2002 Deininger et al. 92/12.2
6,595,886 B1 * 7/2003 Forster 417/222.1
6,662,707 B1 * 12/2003 Stolzer 92/71
6,663,354 B2 * 12/2003 Forster 417/222.1
6,701,824 B2 * 3/2004 Forster 92/12.2

* cited by examiner

Primary Examiner—Antoine D. Davis

(74) *Attorney, Agent, or Firm*—Scully, Scott, Murphy &
Presser

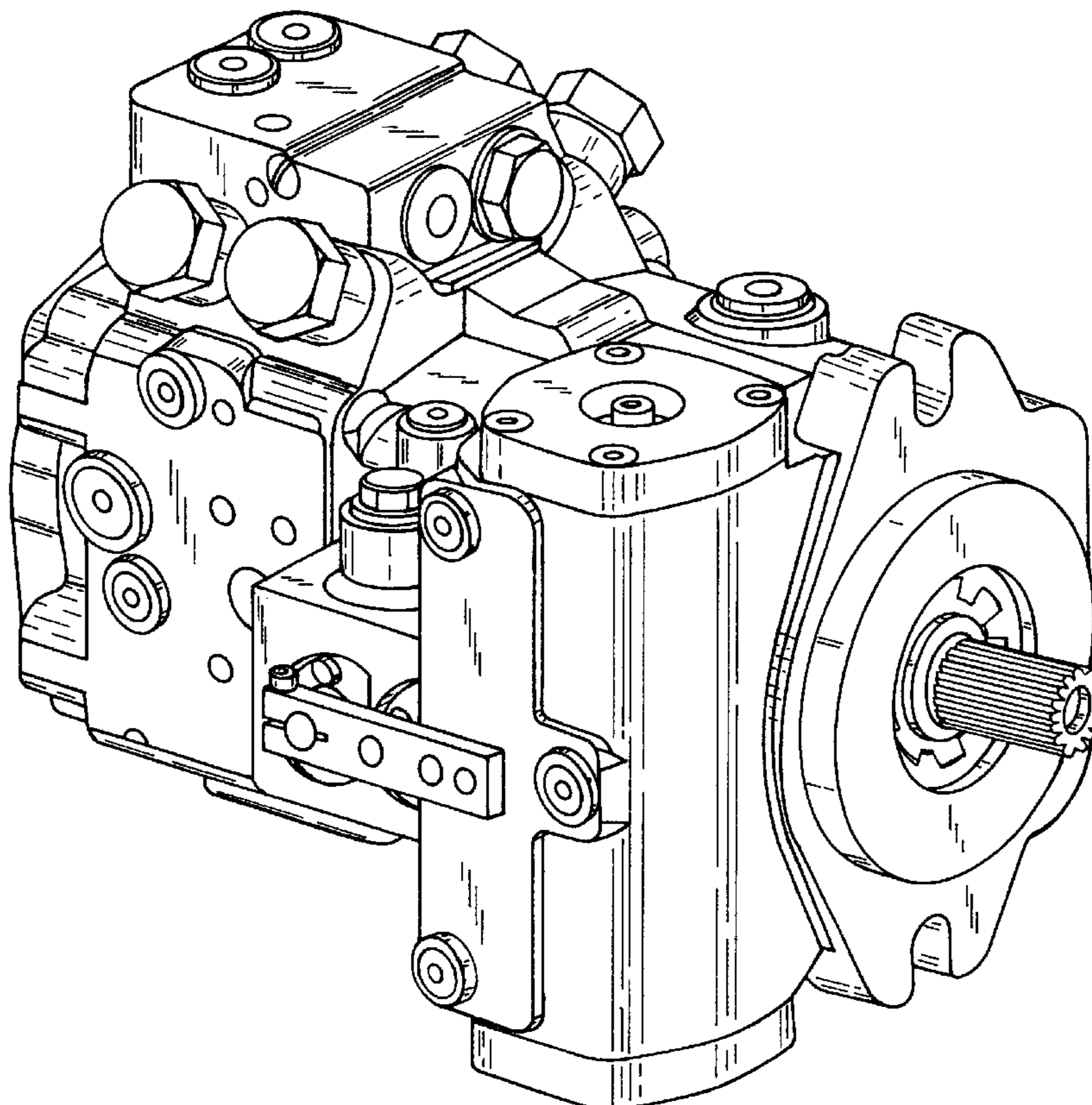
(57) **CLAIM**

The ornamental design for an axial piston machine, as shown and described.

DESCRIPTION

FIG. 1 illustrates a perspective view of the axial piston machine showing our new and ornamental design; FIG. 2 illustrates a front view thereof; FIG. 3 illustrates a right side view thereof; FIG. 4 illustrates a rear view thereof; FIG. 5 illustrates a bottom plan view thereof; FIG. 6 illustrates a top plan view thereof; and, FIG. 7 illustrates a left side view thereof.

1 Claim, 4 Drawing Sheets



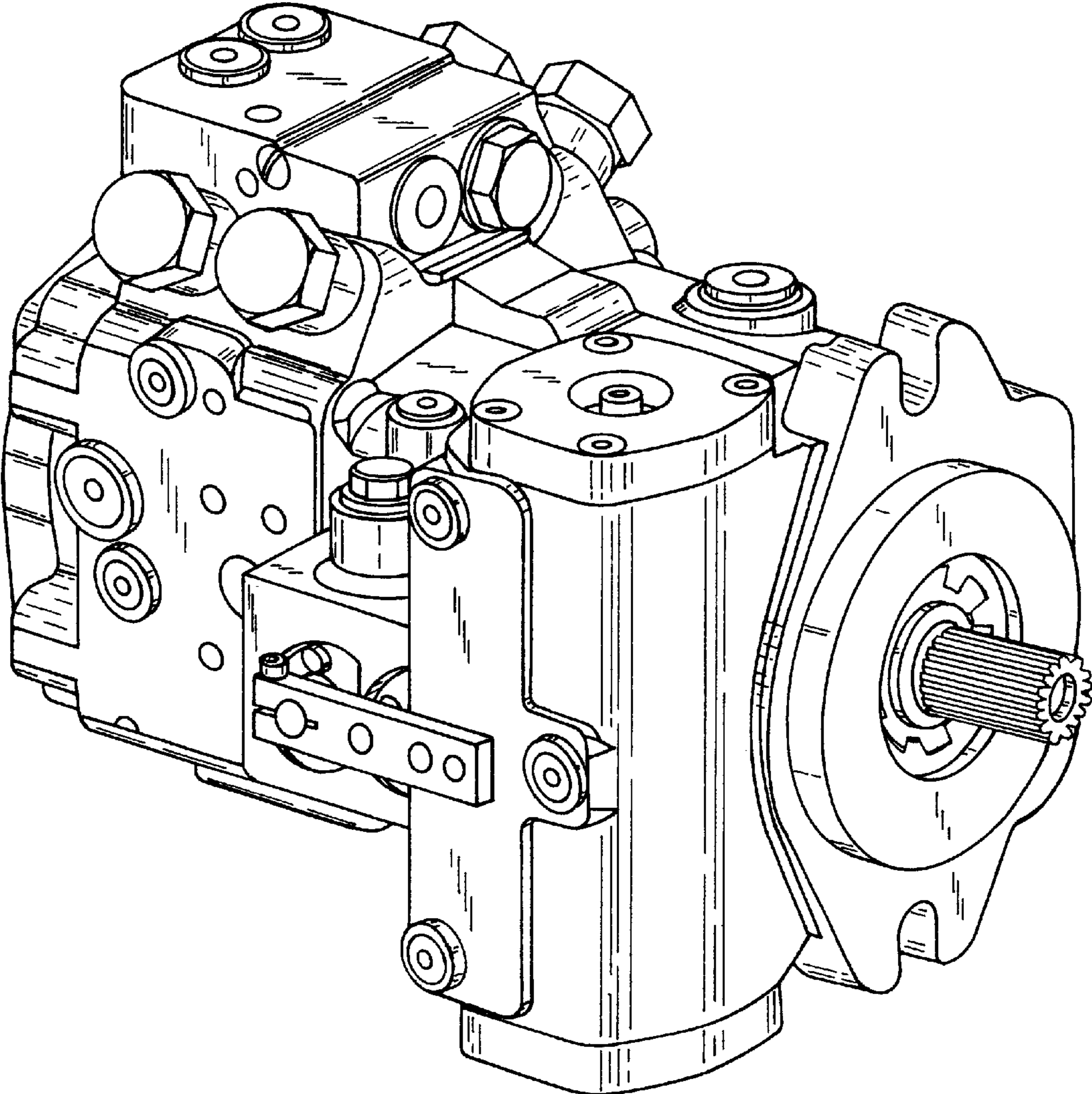


FIG. 1

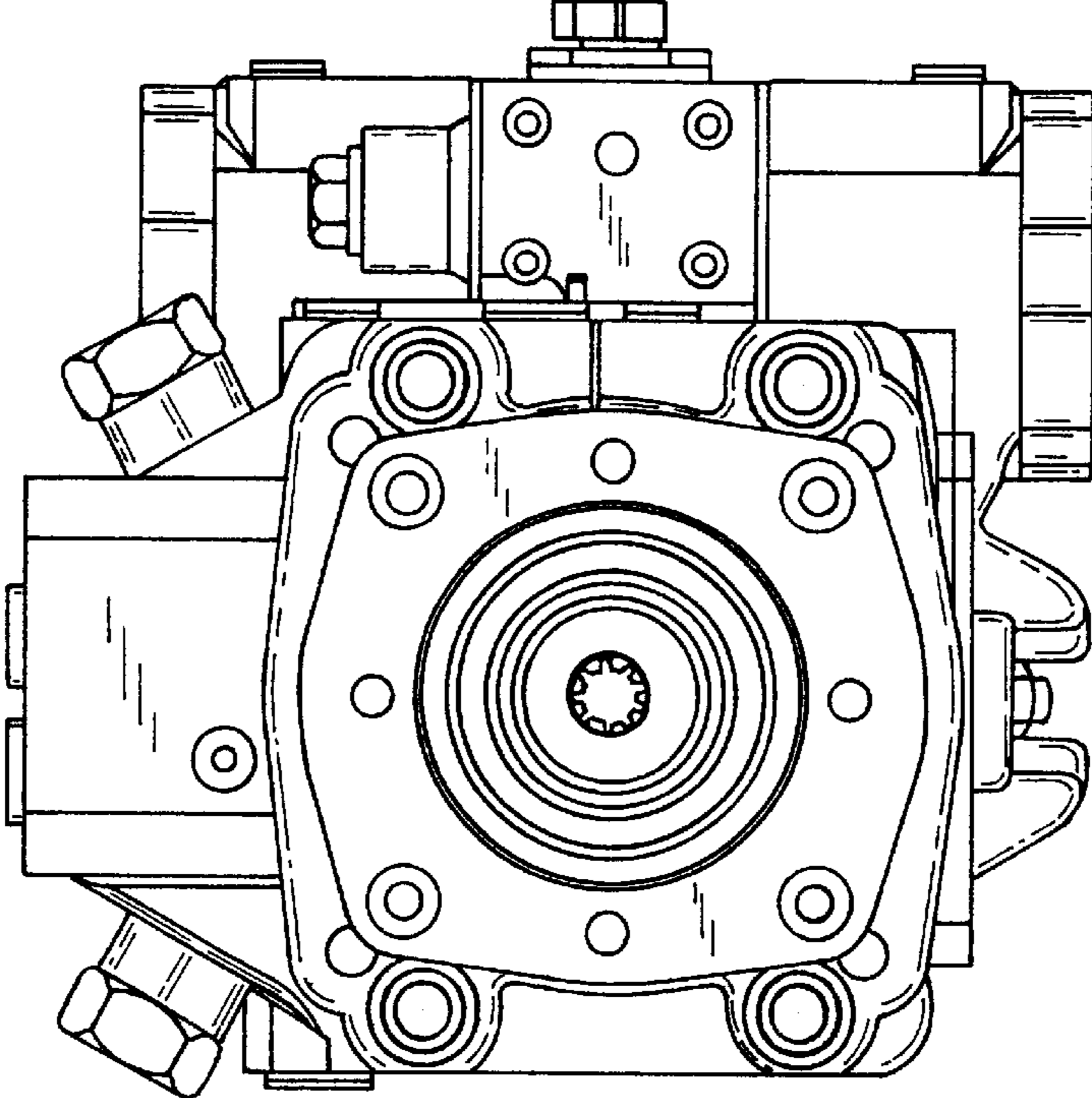


FIG. 2

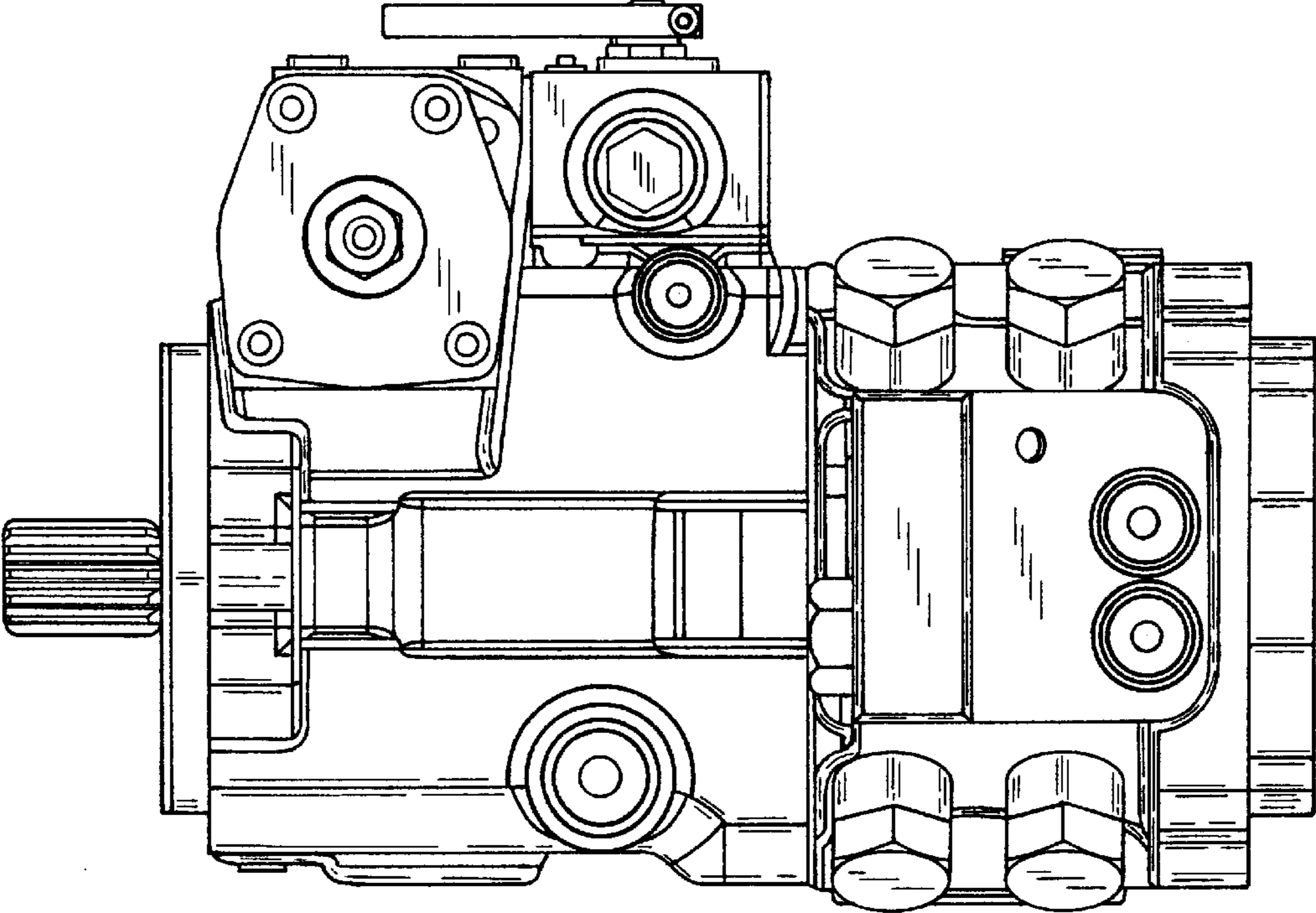
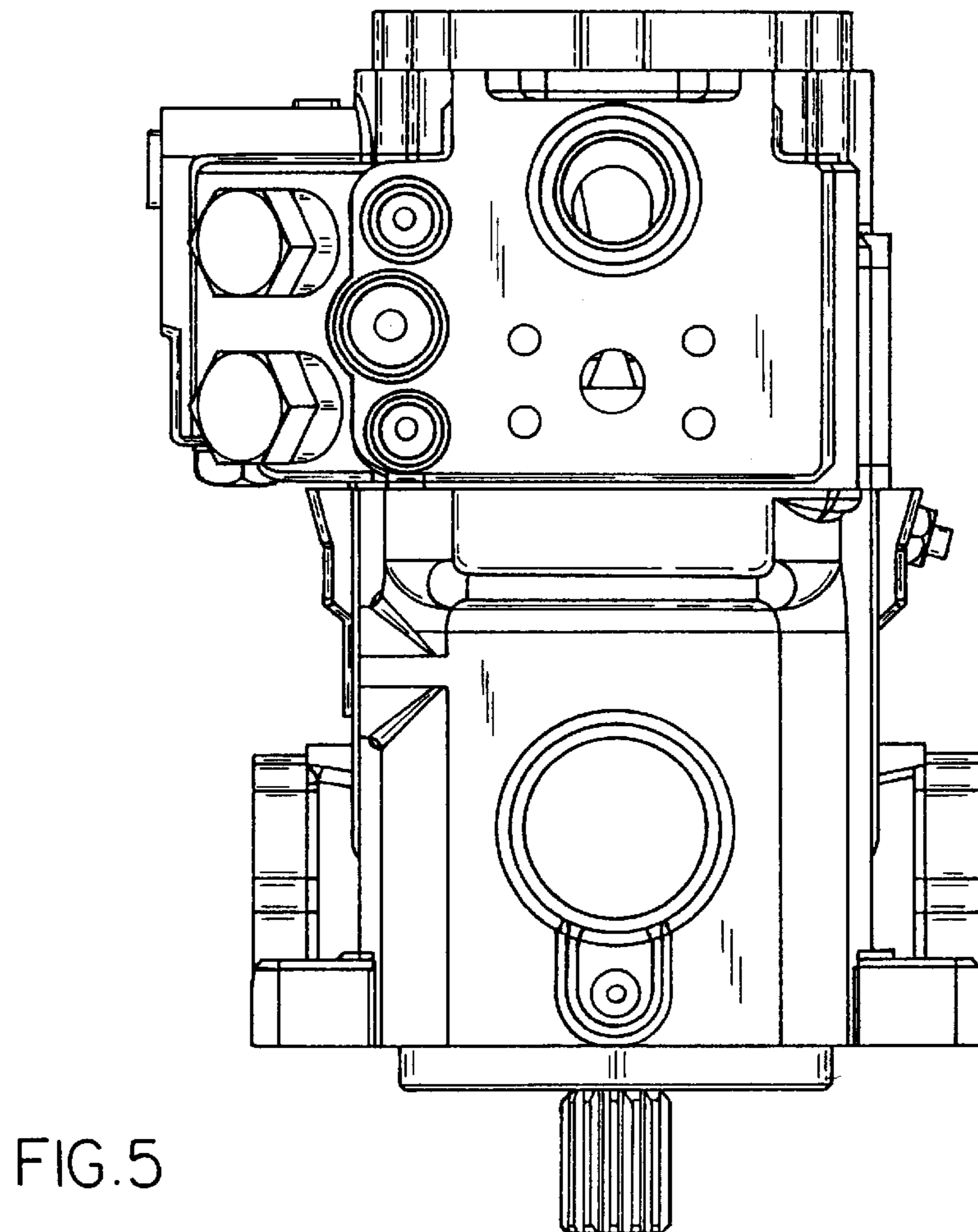
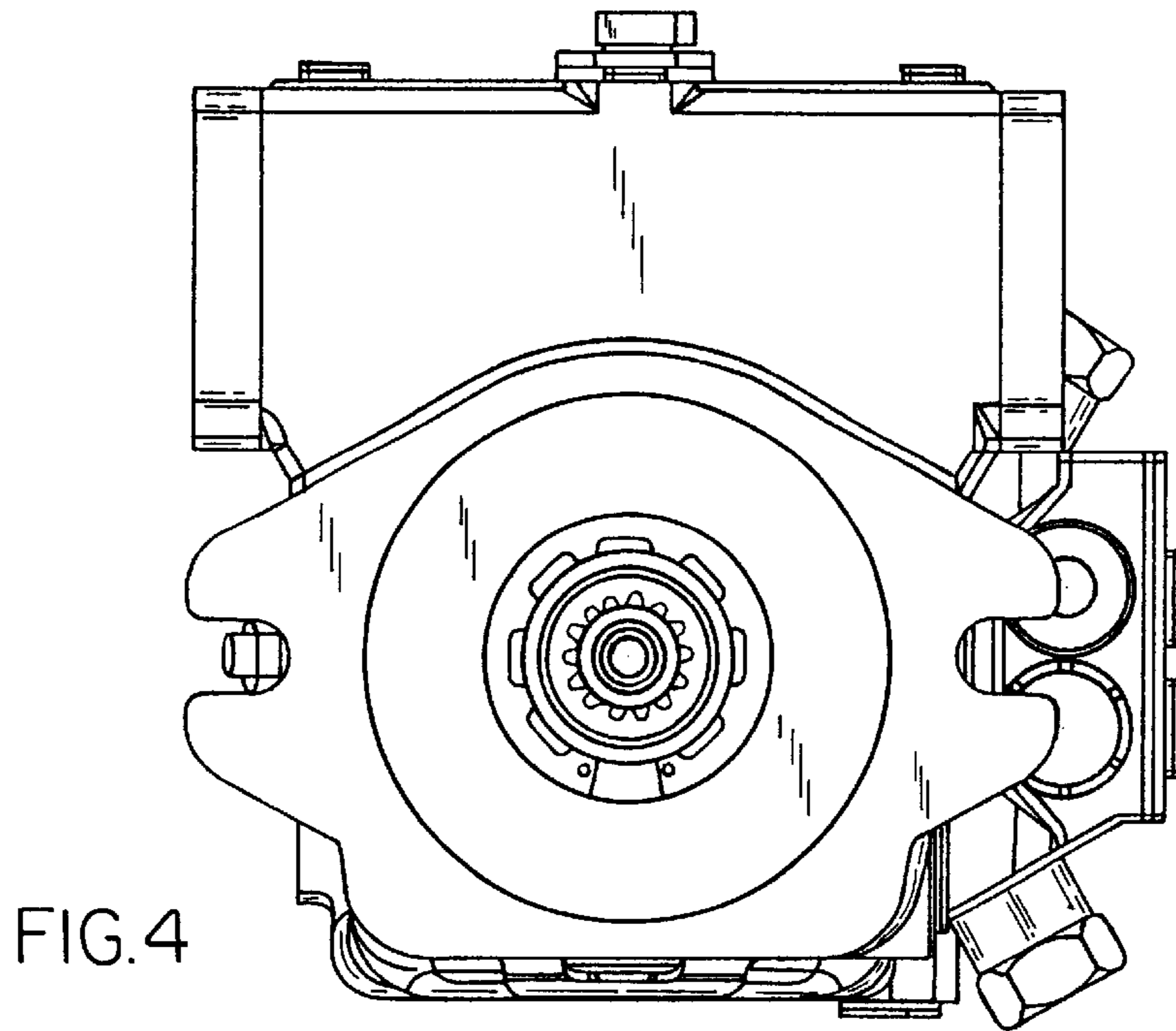


FIG. 3



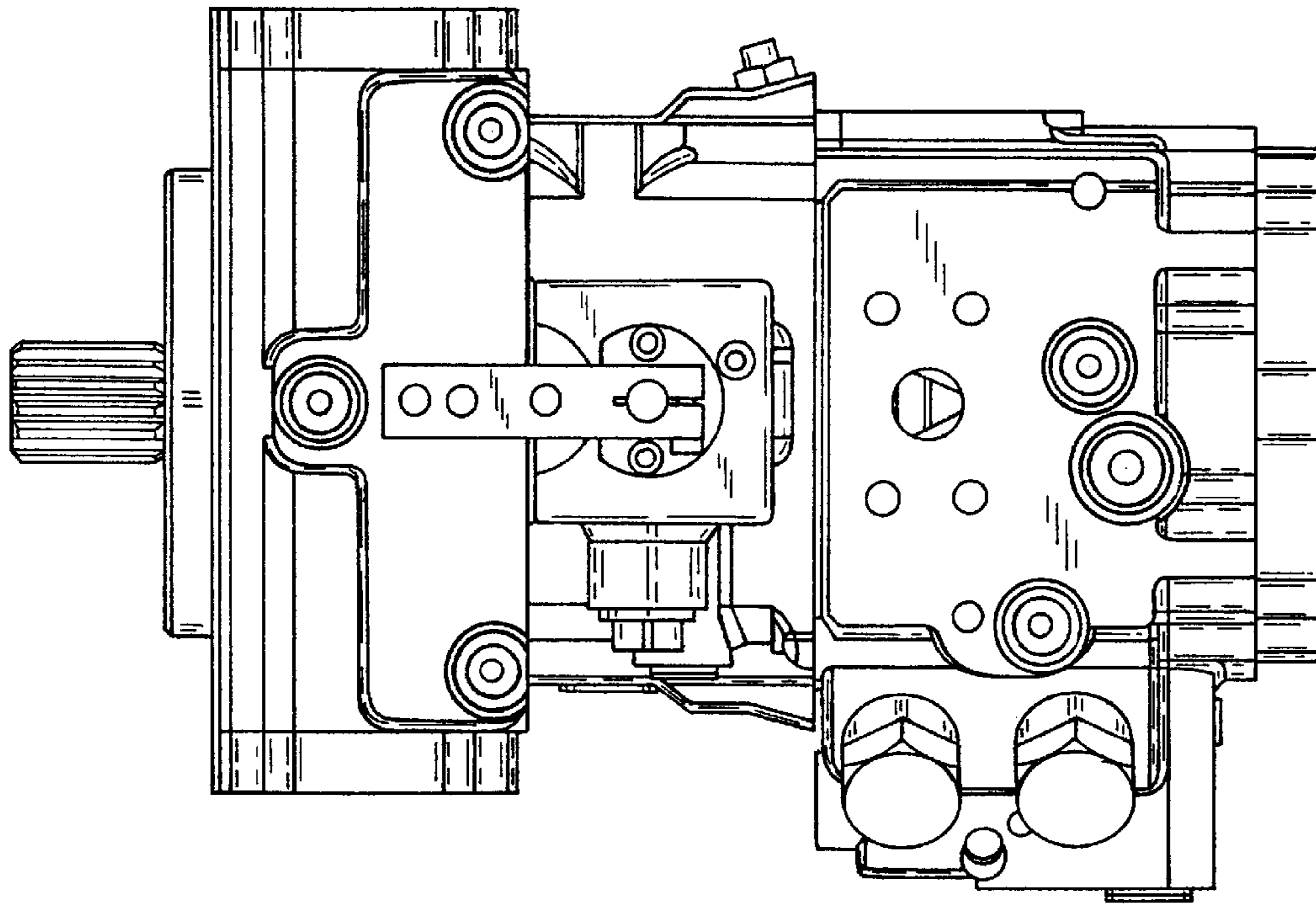


FIG. 6

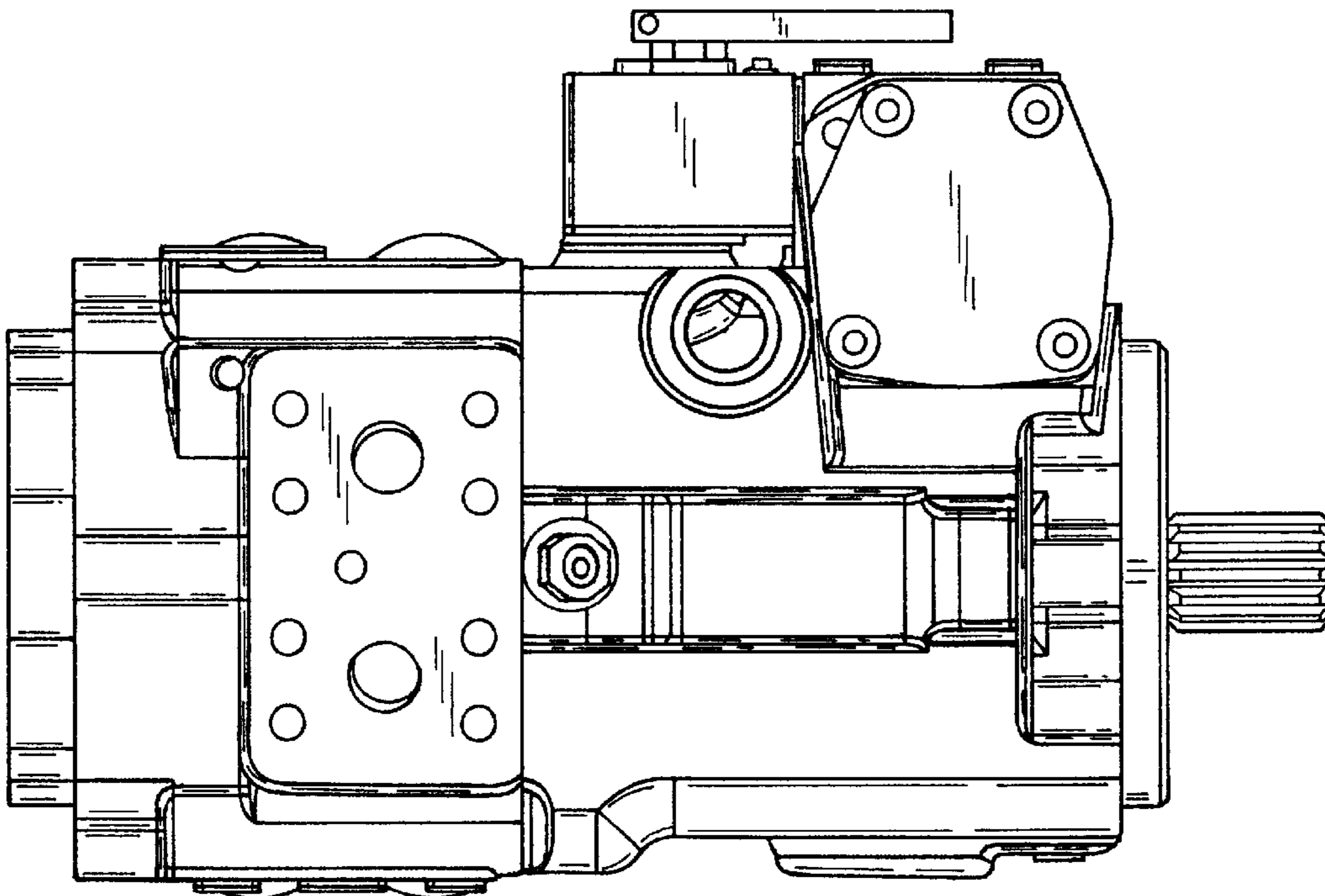


FIG. 7