



US00D502715S

(12) **United States Design Patent**  
**Hunag**

(10) **Patent No.:** **US D502,715 S**  
(45) **Date of Patent:** **\*\* Mar. 8, 2005**

(54) **CUTTER DISC FOR A PAPER SHREDDER**

6,427,572 B2 \* 8/2002 Ciani et al. .... 83/676  
D494,607 S \* 8/2004 Hunag ..... D15/139

(75) Inventor: **Simon Hunag**, SanChung (TW)

\* cited by examiner

(73) Assignee: **Michilin Prosperity Co., Ltd.**,  
SanChung (TW)

*Primary Examiner*—Charles A. Rademaker  
(74) *Attorney, Agent, or Firm*—Dennison, Schultz,  
Dougherty & MacDonald

(\*\*) Term: **14 Years**

(57) **CLAIM**

(21) Appl. No.: **29/194,247**

The ornamental design for a cutter disc for a paper shredder,  
as shown and described.

(22) Filed: **Nov. 21, 2003**

(51) **LOC (7) Cl.** ..... **15-09**

(52) **U.S. Cl.** ..... **D15/139**

(58) **Field of Search** ..... D15/139, 138,  
D15/77, 78, 133; D18/34, 99; D8/98; 407/33;  
83/676

**DESCRIPTION**

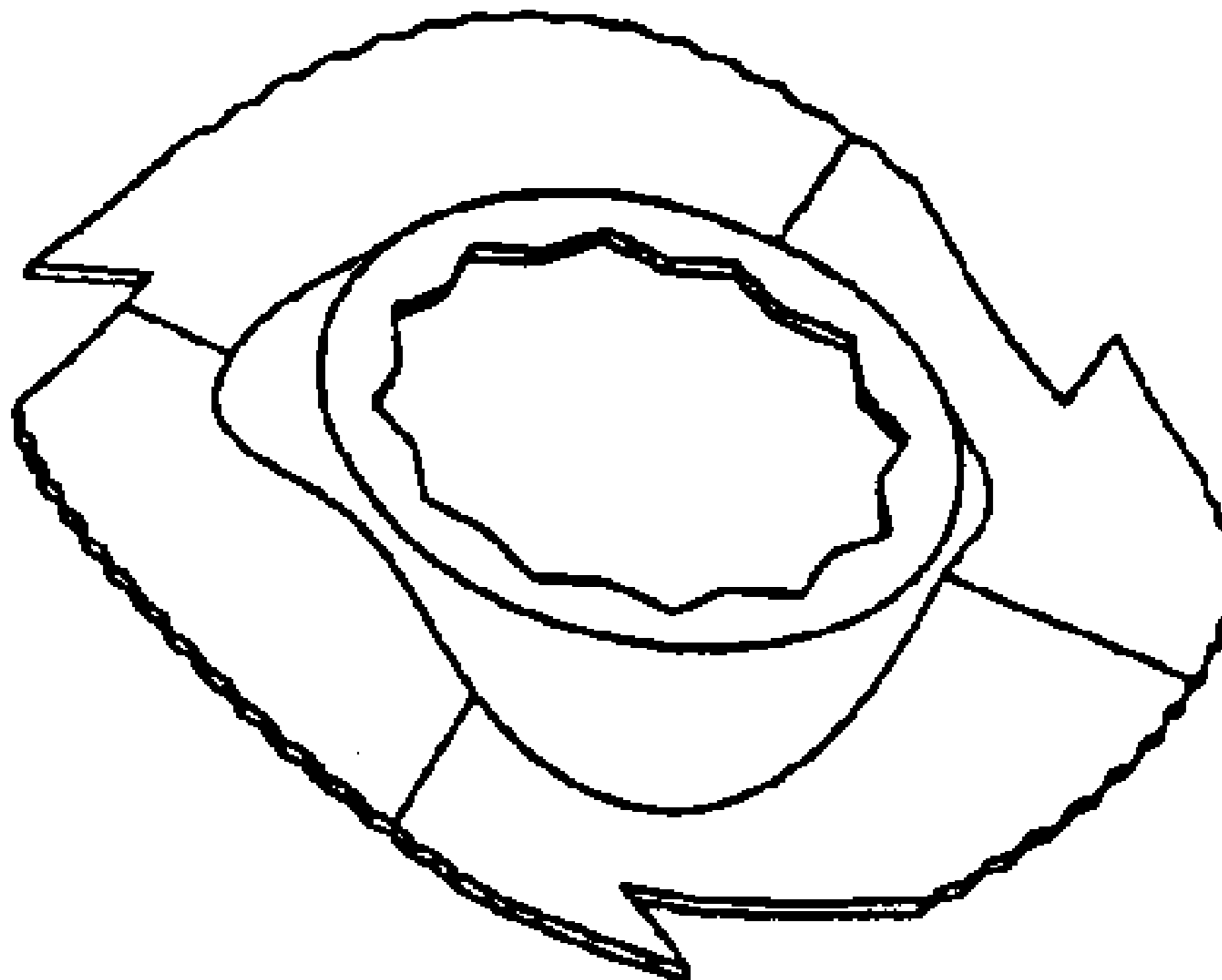
(56) **References Cited**

**U.S. PATENT DOCUMENTS**

D26,293 S	*	11/1896	Waite	.....	D15/138
D30,566 S	*	4/1899	Hovey	.....	D8/98
1,636,722 A	*	7/1927	Thibaudeau	.....	83/676
4,167,132 A	*	9/1979	Zontelli	.....	83/676
D287,019 S	*	12/1986	Anderson et al.	.....	D15/138
D292,590 S	*	11/1987	Hatanaka	.....	D15/139
5,022,299 A	*	6/1991	Fischer et al.	.....	83/676
D401,250 S	*	11/1998	Tudhope et al.	.....	D15/138
D421,029 S	*	2/2000	Cha	.....	D15/139
D451,110 S	*	11/2001	Lira-Nunez et al.	.....	D15/139

FIG. 1 is a top perspective view of a cutter disc for a paper shredder showing my new design;  
FIG. 2 is a bottom perspective view thereof;  
FIG. 3 is a bottom and right side perspective view thereof;  
FIG. 4 is a top and left side perspective view thereof;  
FIG. 5 is a front elevation thereof, the side opposite being substantially a mirror image;  
FIG. 6 is a top plan thereof, the side opposite being substantially a mirror image;  
FIG. 7 is a right side elevation thereof, the side opposite being substantially a mirror image;  
FIG. 8 is a cross-sectional view thereof taken along line 8—8 in FIG. 5; and,  
FIG. 9 is a cross-sectional view thereof taken long line 9—9 in FIG. 5.

**1 Claim, 2 Drawing Sheets**



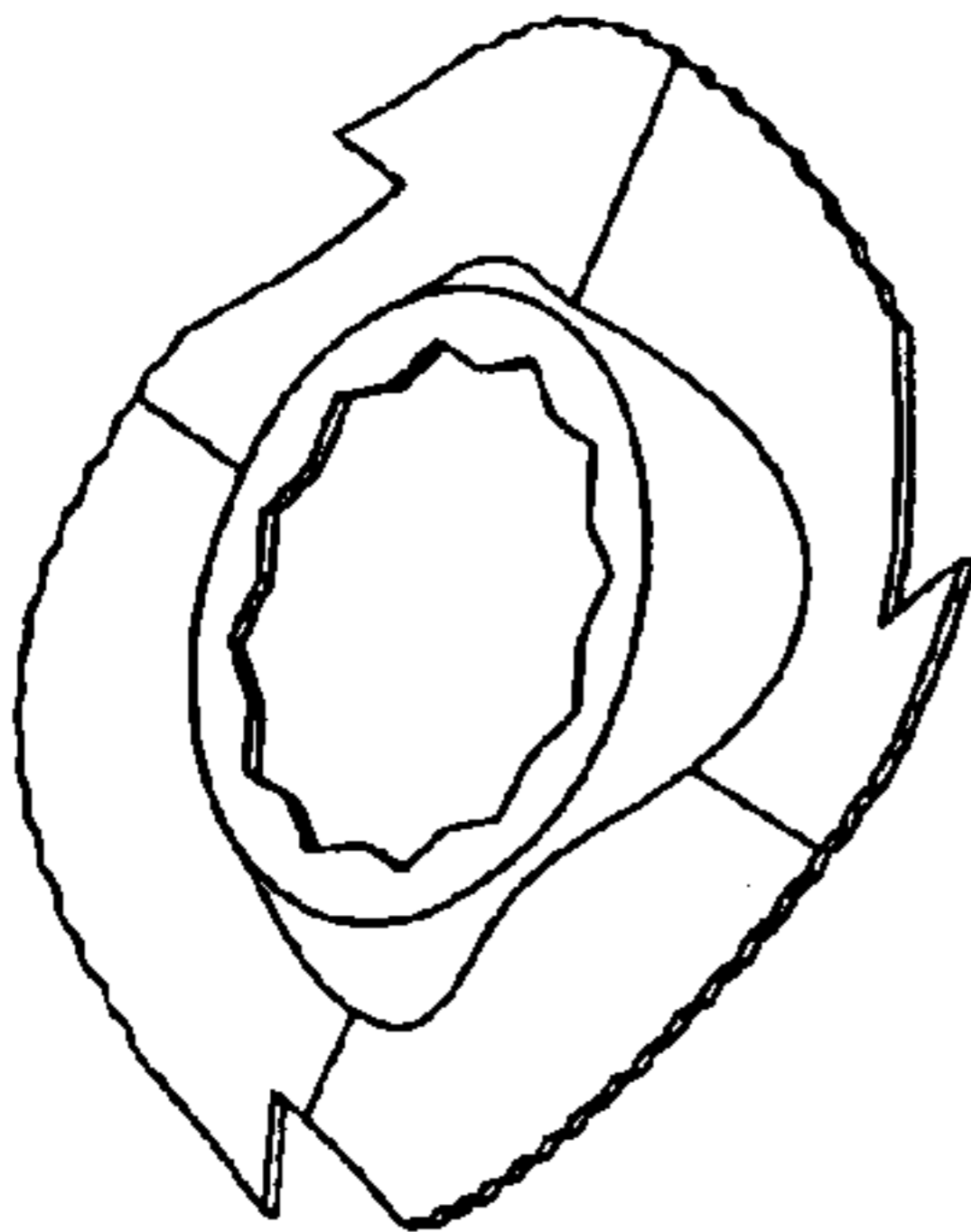


Fig. 1

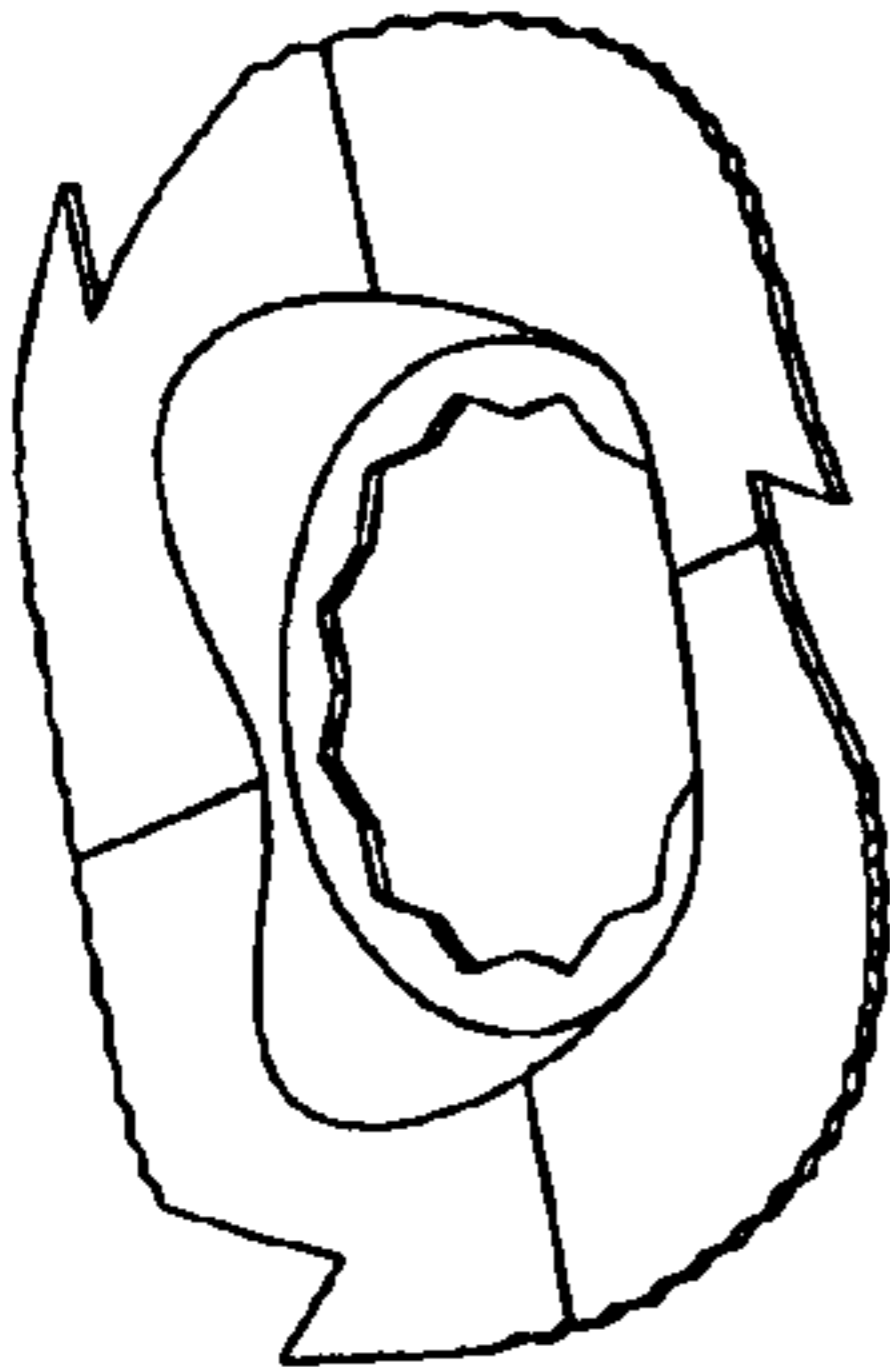


Fig. 2

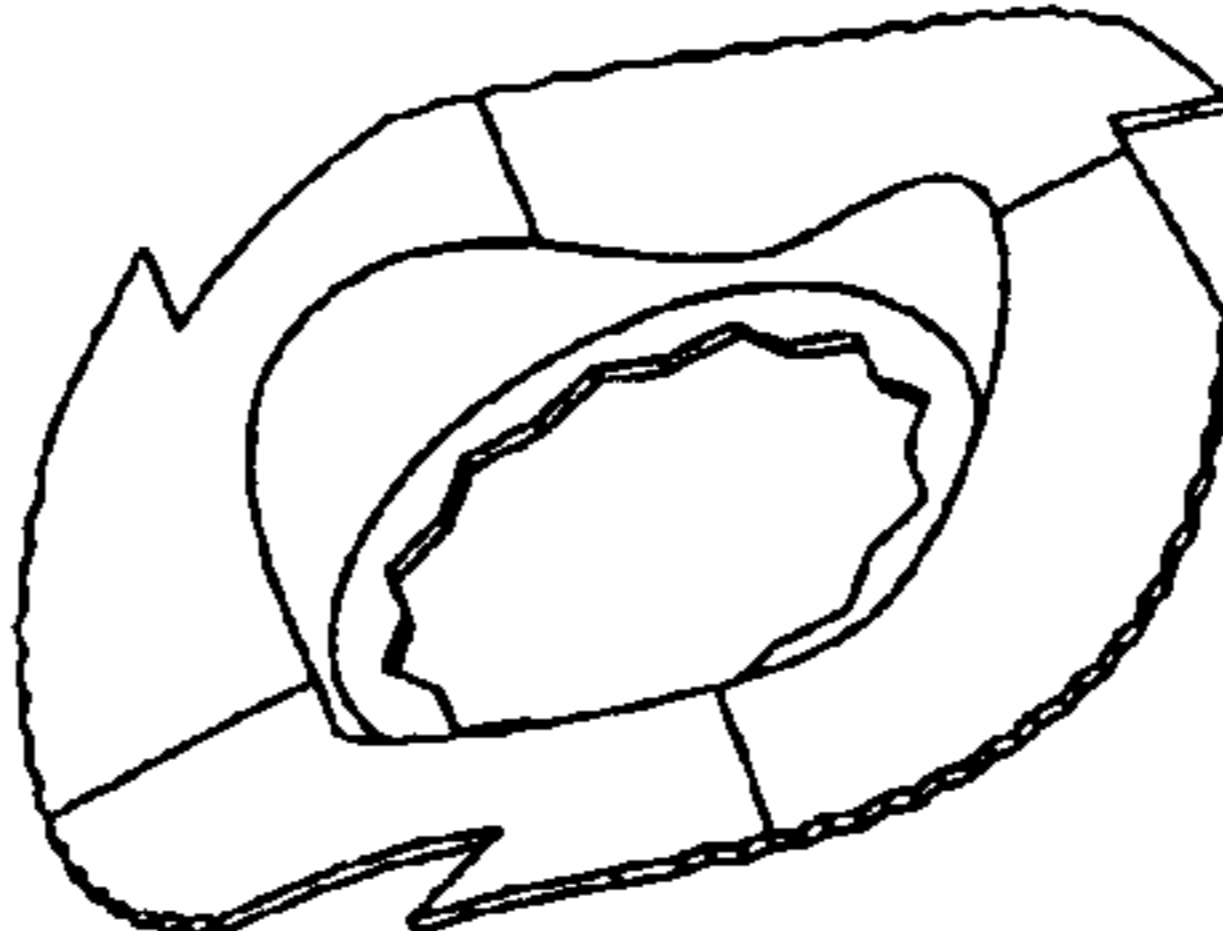


Fig. 3

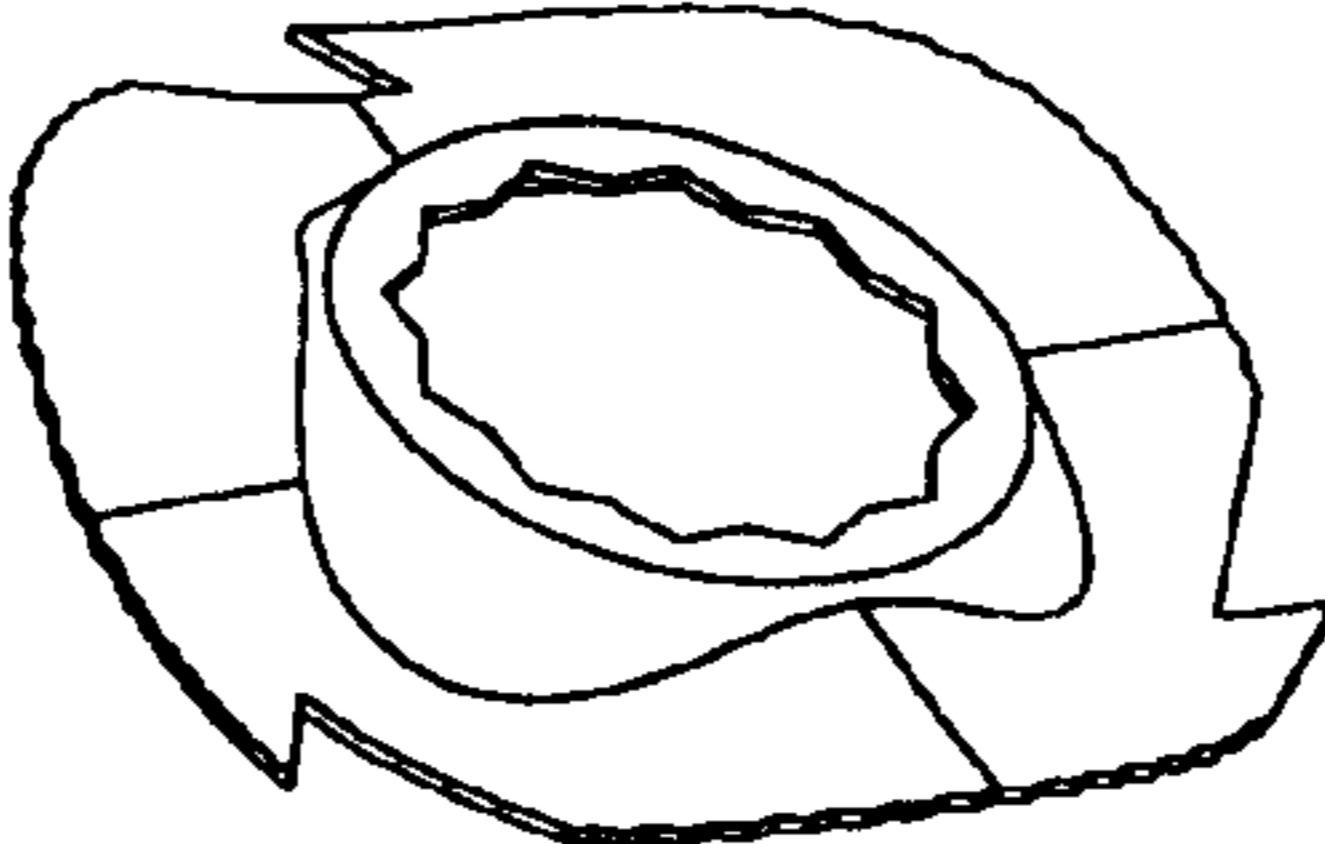


Fig. 4



Fig. 6

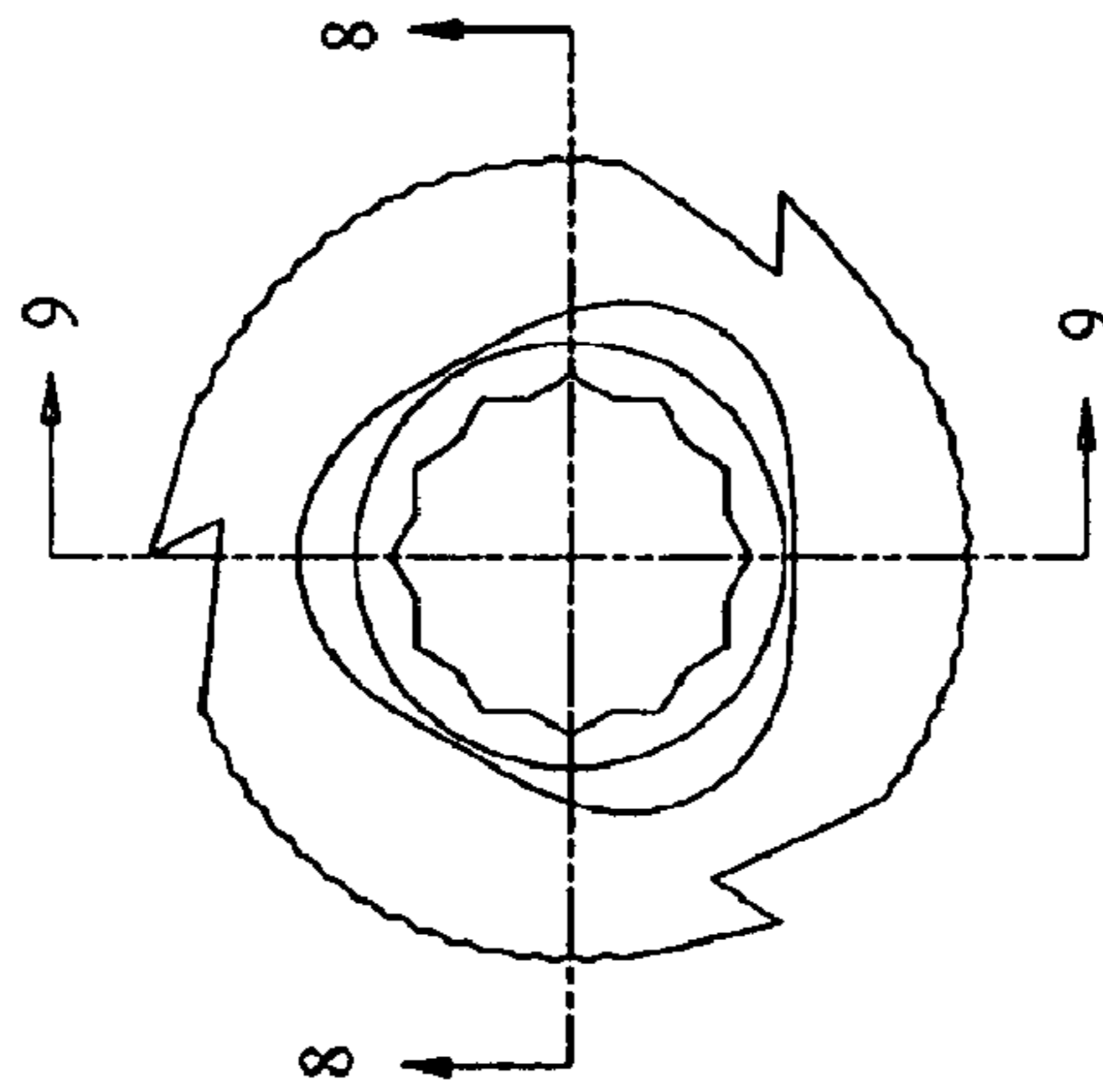


Fig. 5



Fig. 7



Fig. 9



Fig. 8