

US00D502713S

(12) **United States Design Patent**
Hunag

(10) **Patent No.:** **US D502,713 S**
(45) **Date of Patent:** **** Mar. 8, 2005**

(54) **CUTTER DISC FOR A PAPER SHREDDER**

6,427,572 B2 * 8/2002 Ciani et al. 83/676
D494,607 S * 8/2004 Hunag D15/139

(75) Inventor: **Simon Hunag**, SanChung (TW)

* cited by examiner

(73) Assignee: **Michilin Prosperity Co., Ltd.**,
SanChung (TW)

Primary Examiner—Charles A. Rademaker
(74) *Attorney, Agent, or Firm*—Dennison, Schultz,
Dougherty & MacDonald

(**) Term: **14 Years**

(57) **CLAIM**

(21) Appl. No.: **29/194,245**

The ornamental design for a cutter disc for a paper shredder,
as shown and described.

(22) Filed: **Nov. 21, 2003**

(51) **LOC (7) Cl.** **15-09**

DESCRIPTION

(52) **U.S. Cl.** **D15/139**

(58) **Field of Search** D15/139, 138,
D15/77, 78, 133; D18/34, 99; D8/98; 407/33;
83/676

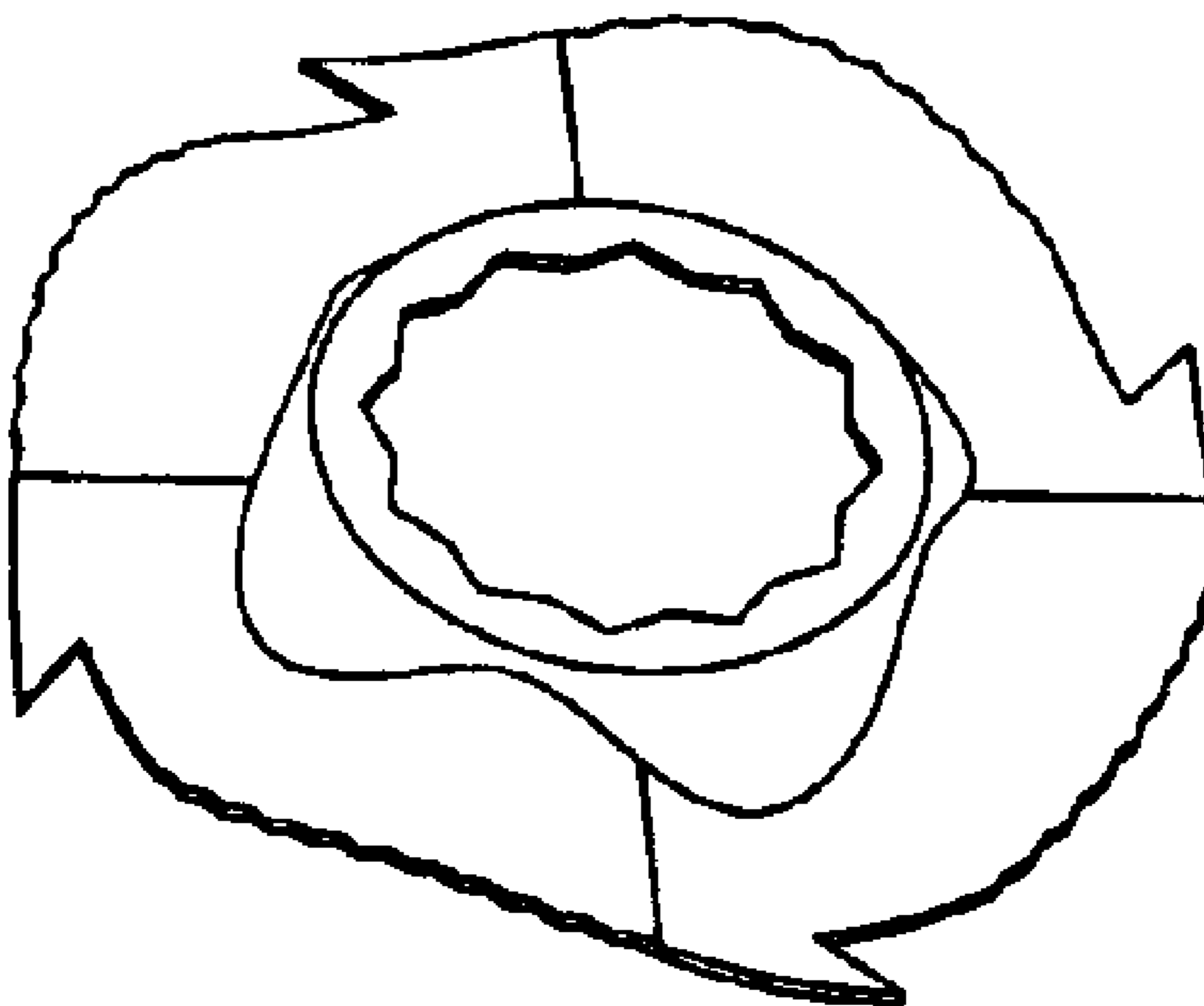
FIG. 1 is a top perspective view of a cutter disc for a paper shredder showing my new design;
FIG. 2 is a bottom perspective view thereof;
FIG. 3 is a top and right side perspective view thereof;
FIG. 4 is a bottom and left side perspective view thereof;
FIG. 5 is a front elevation thereof, the side opposite being substantially a mirror image;
FIG. 6 is a top plan thereof, the side opposite being substantially a mirror image;
FIG. 7 is a right side elevation thereof, the side opposite being substantially a mirror image;
FIG. 8 is a cross-sectional view thereof taken along line 8—8 in FIG. 5; and,
FIG. 9 is a cross-sectional view thereof taken long line 9—9 in FIG. 5.

(56) **References Cited**

U.S. PATENT DOCUMENTS

D26,293 S	*	11/1896	Waite	D15/138
D30,566 S	*	4/1899	Hovey	D8/98
1,636,722 A	*	7/1927	Thibaudeau	83/676
4,167,132 A	*	9/1979	Zontelli	83/676
D287,019 S	*	12/1986	Anderson et al.	D15/138
D292,590 S	*	11/1987	Hatanaka	D15/139
5,022,299 A	*	6/1991	Fischer et al.	83/676
D401,250 S	*	11/1998	Tudhope et al.	D15/138
D421,029 S	*	2/2000	Cha	D15/139
D451,110 S	*	11/2001	Lira-Nunez et al.	D15/139

1 Claim, 2 Drawing Sheets



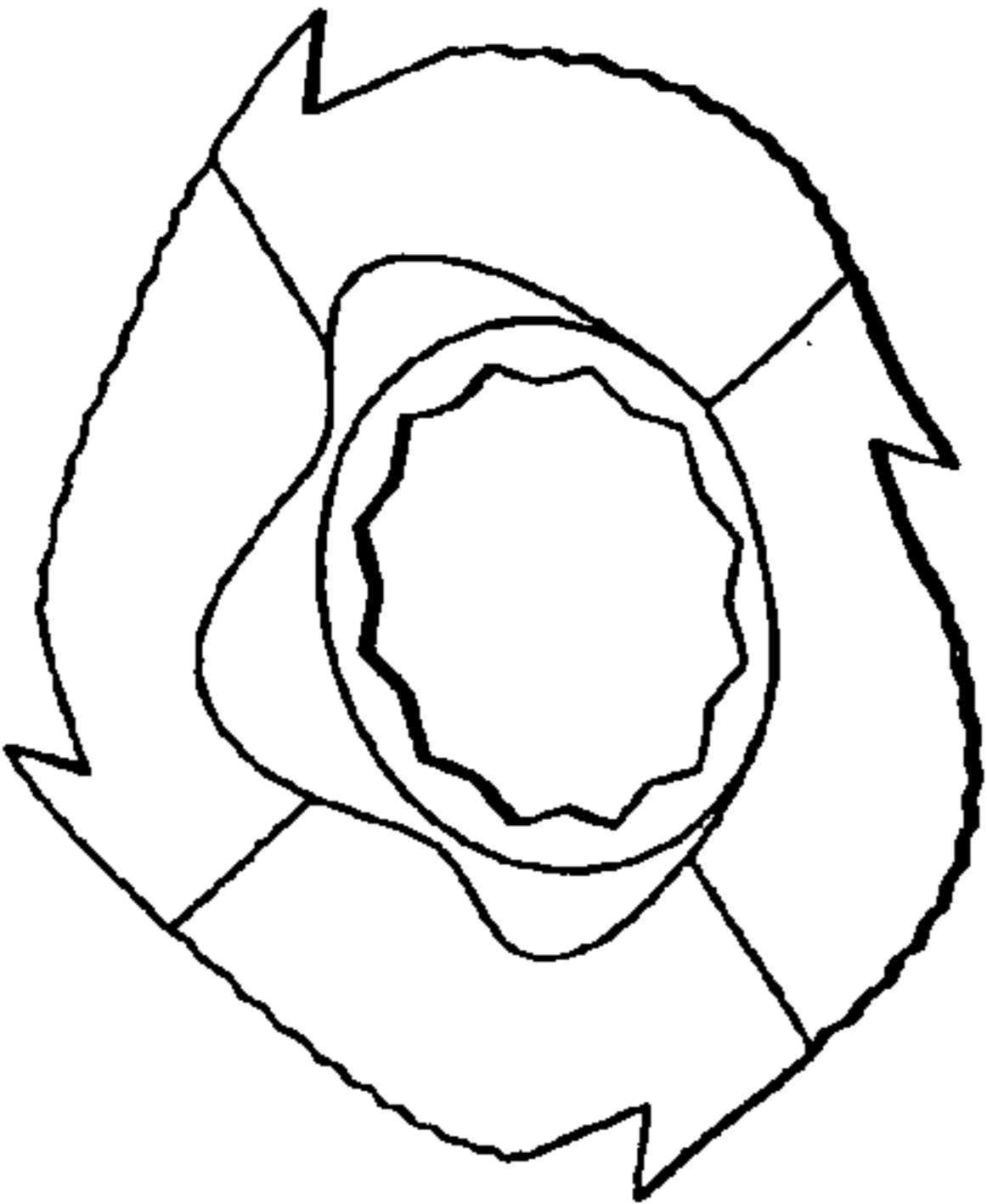


Fig. 2

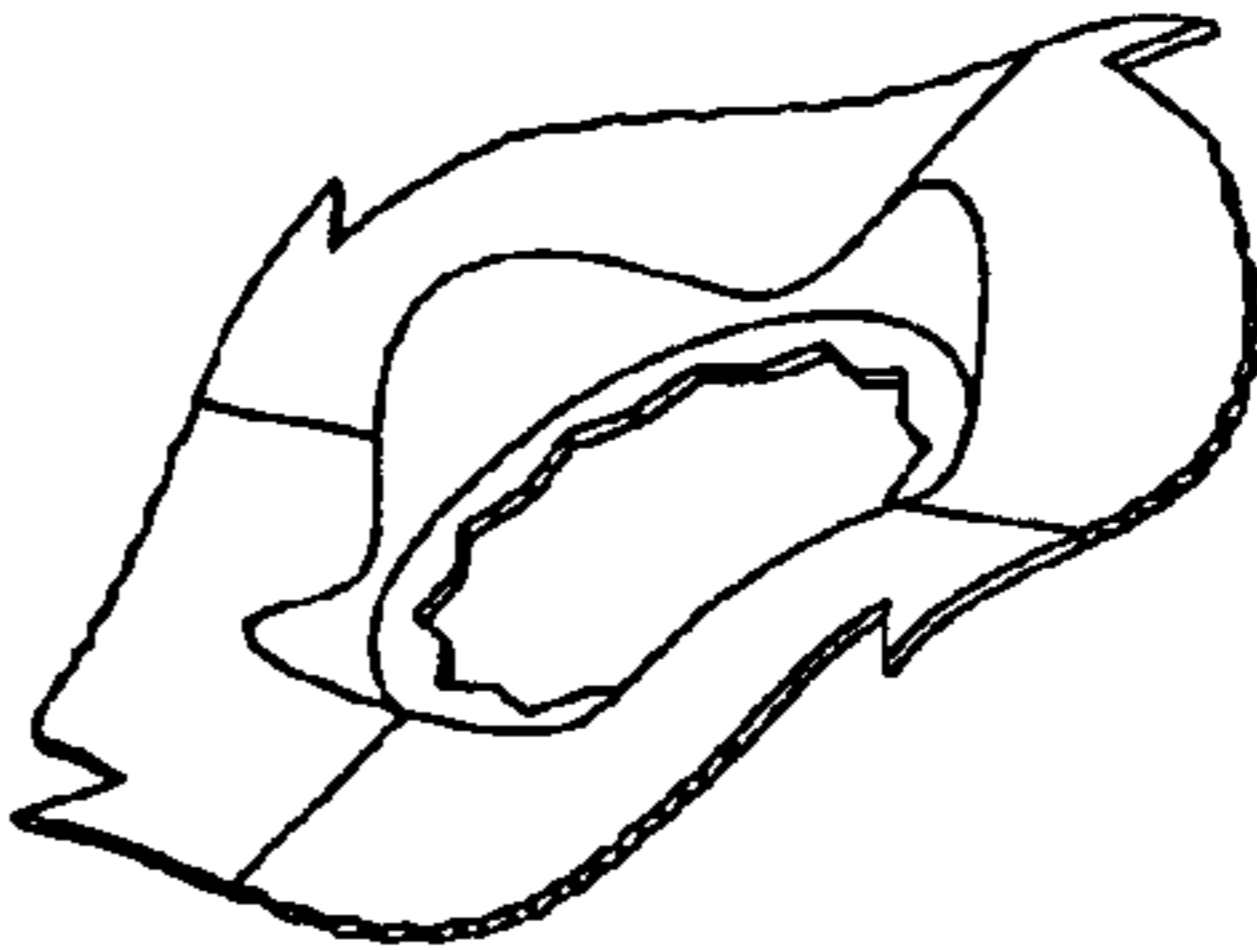


Fig. 4

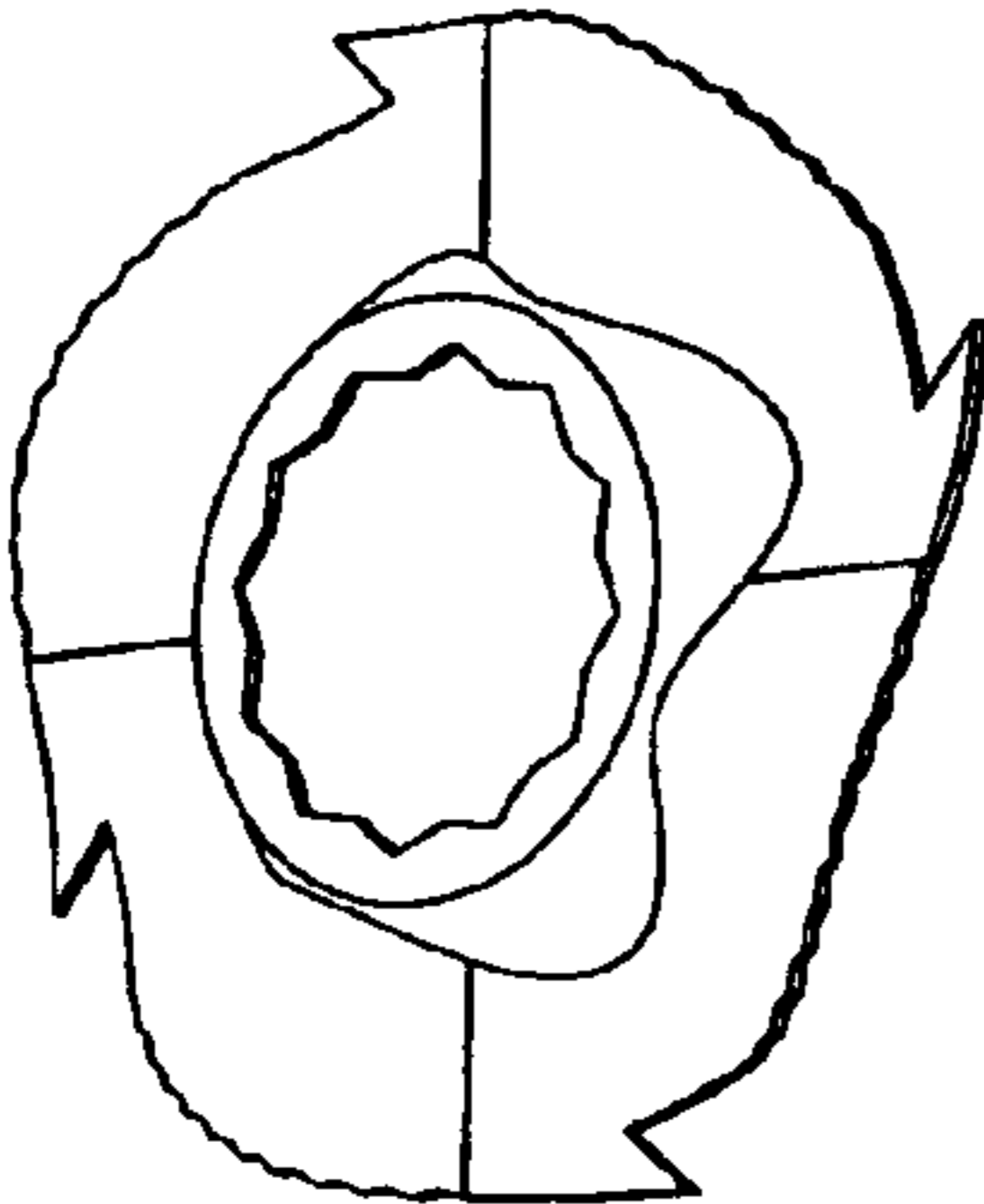


Fig. 1

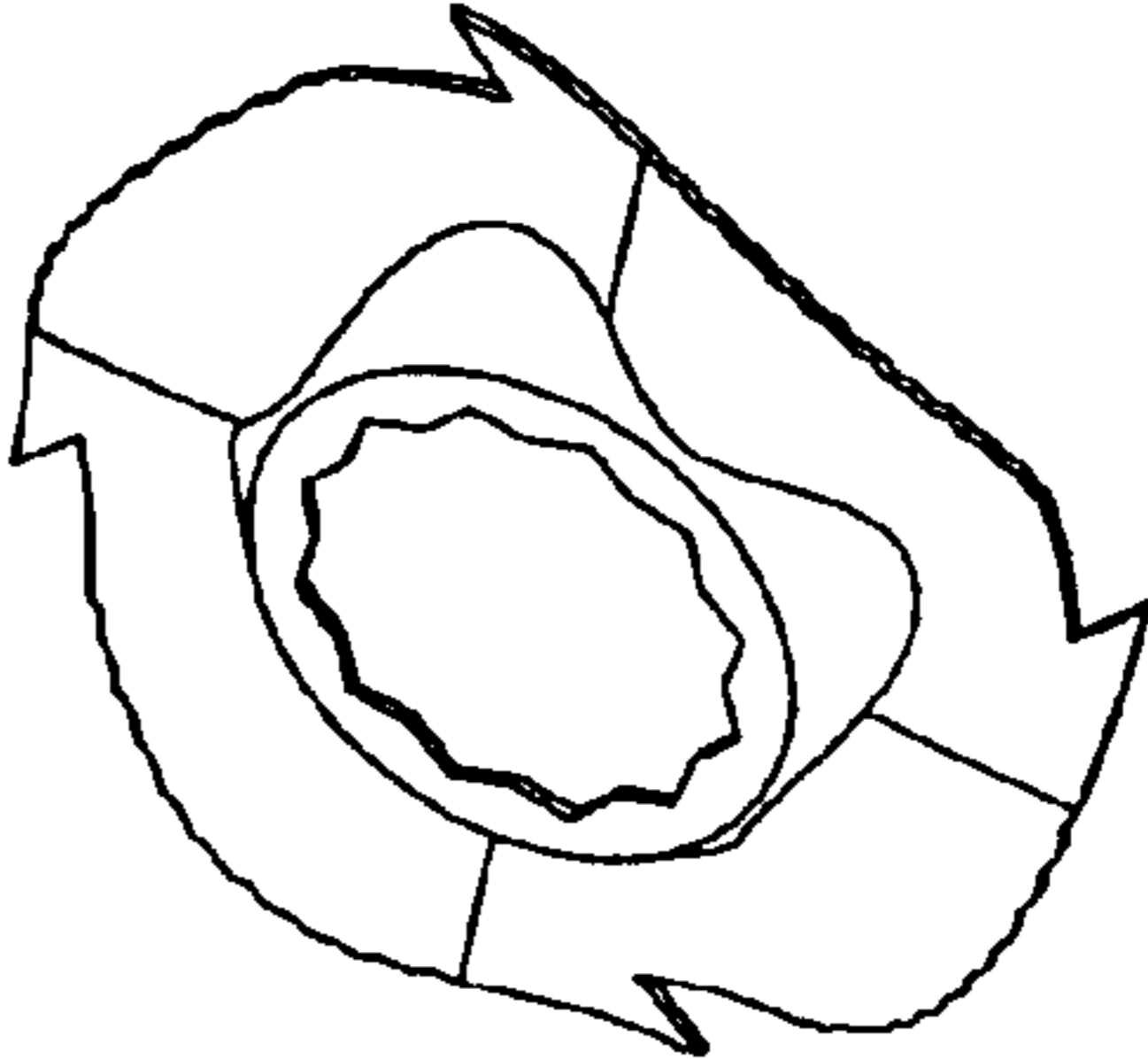


Fig. 3



Fig. 6



Fig. 9

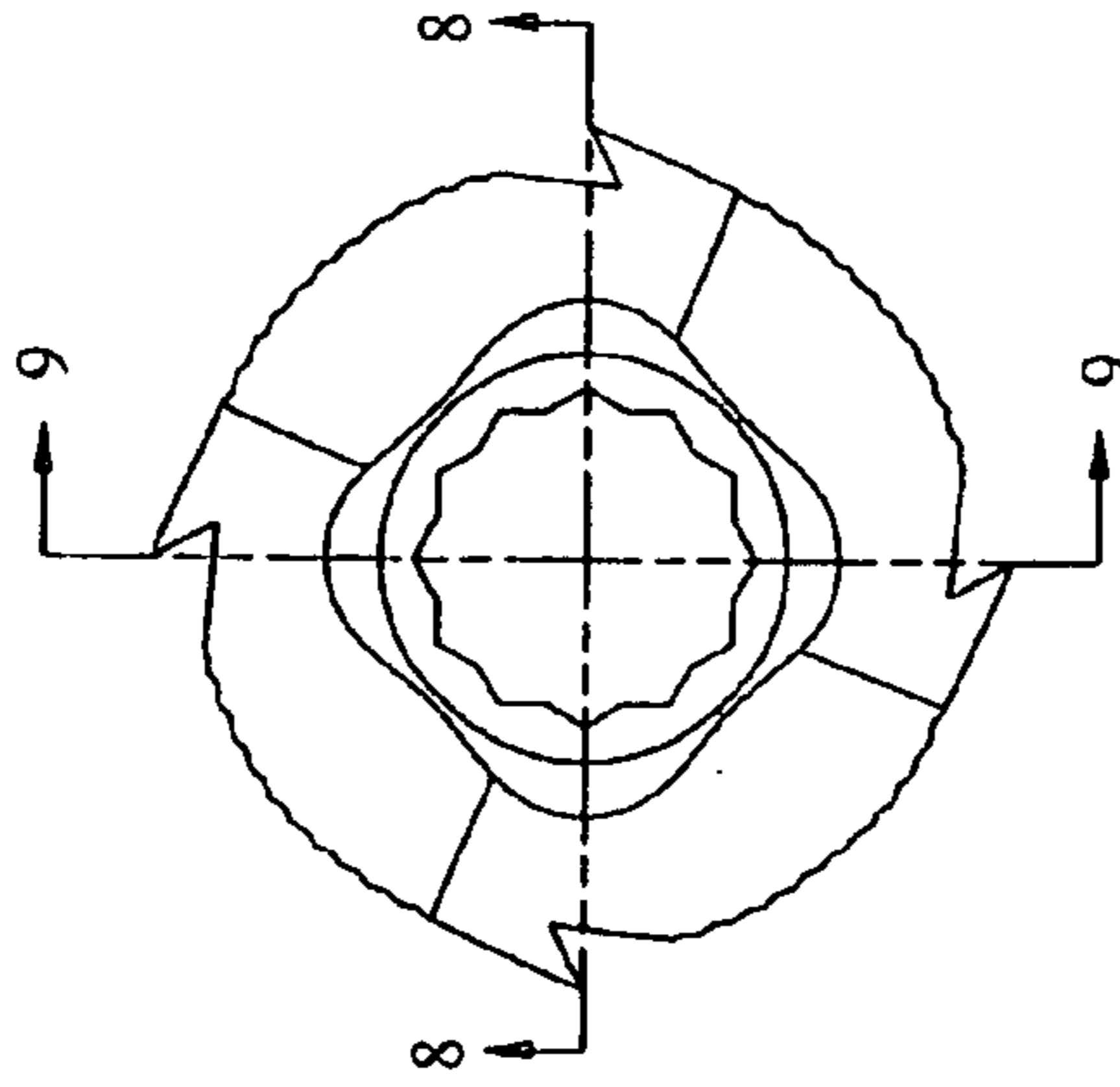


Fig. 5



Fig. 7



Fig. 8