



US00D502709S

(12) **United States Design Patent**
Hsiao

(10) **Patent No.:** **US D502,709 S**

(45) **Date of Patent:** **** Mar. 8, 2005**

(54) **BARE COMPRESSOR**

D419,162 S * 1/2000 Wise et al. D15/9
D435,050 S * 12/2000 Wise et al. D15/9

(76) **Inventor:** **I-Min Hsiao**, No. 427, Sec. 2,
Doou-Chung Rd., Tien-Chung, Chang
Hwa Hsien (TW)

* cited by examiner

Primary Examiner—Ralf Seifert

(74) *Attorney, Agent, or Firm*—Troxell Law Office PLLC

(**) **Term:** **14 Years**

(57) **CLAIM**

(21) **Appl. No.:** **29/177,903**

The ornamental design bare compressor, as shown and described.

(22) **Filed:** **Mar. 19, 2003**

(51) **LOC (7) Cl.** **15-02**

(52) **U.S. Cl.** **D15/9**

(58) **Field of Search** D15/7-9; 92/82;
417/435, 313, 321, 360, 410-411, 415,
405

DESCRIPTION

FIG. 1 is a perspective view of a bare compressor showing my new design;

FIG. 2 is a side elevation view thereof;

FIG. 3 is a topside elevation view thereof;

FIG. 4 is a front elevation view thereof;

FIG. 5 is a bottom plan view thereof;

FIG. 6 is an elevation view of side opposite to FIG. 2; and,

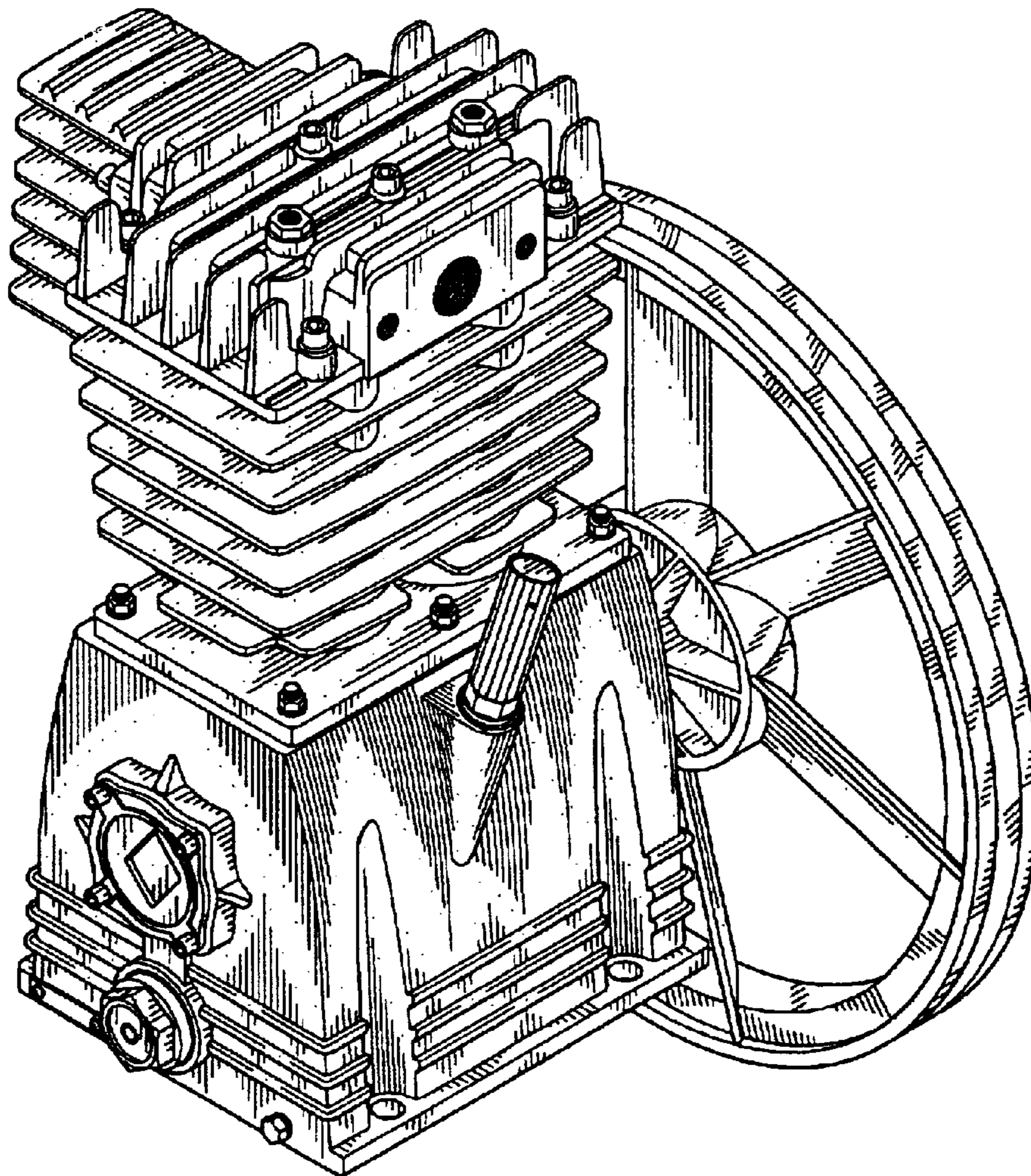
FIG. 7 is a rear elevation view thereof.

(56) **References Cited**

U.S. PATENT DOCUMENTS

D49,910 S * 11/1916 Steedman D15/9
D392,649 S * 3/1998 Plummer et al. D15/7
5,809,866 A * 9/1998 Brasacher et al. 92/82

1 Claim, 7 Drawing Sheets



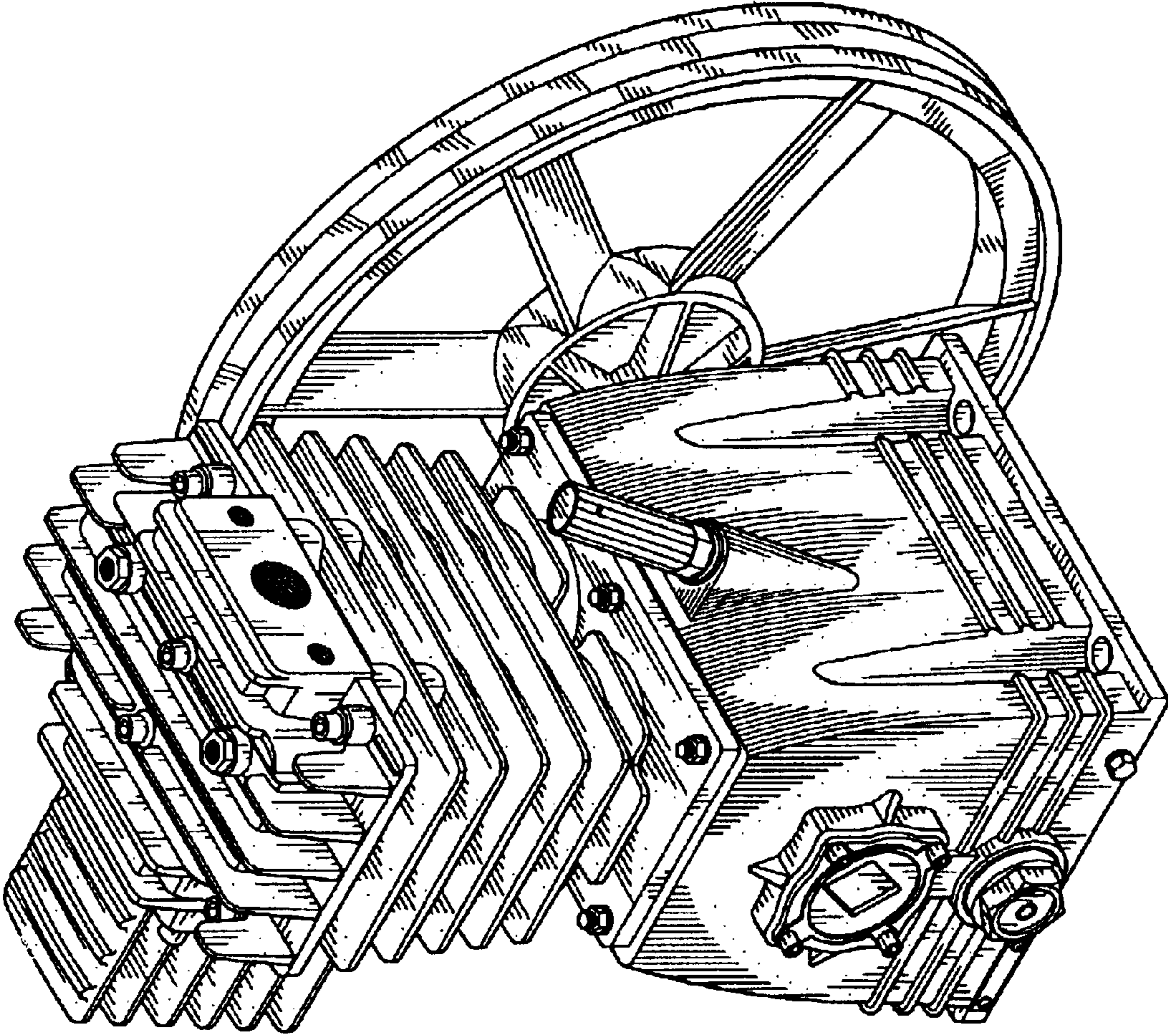


FIG. 1

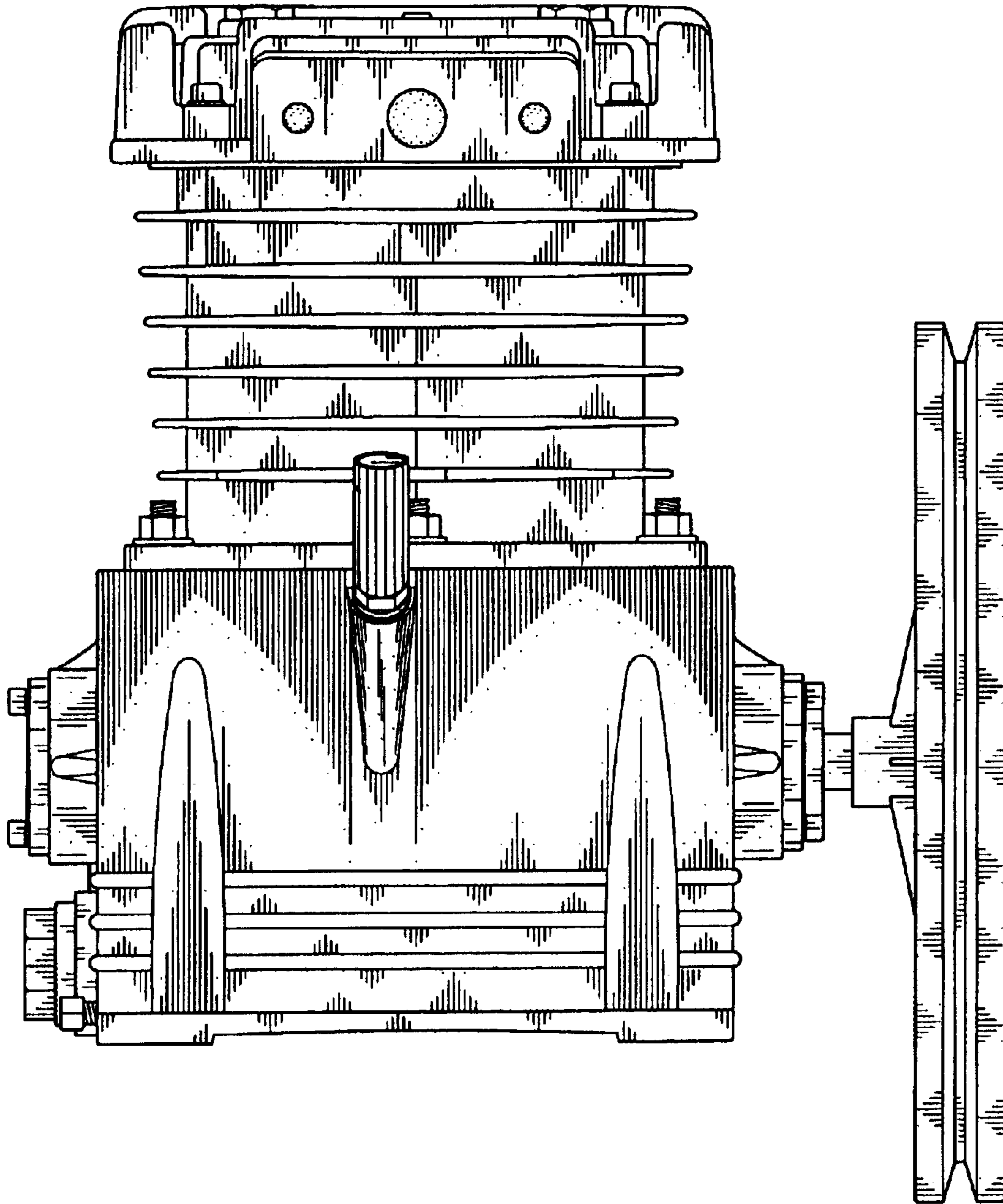


FIG. 2

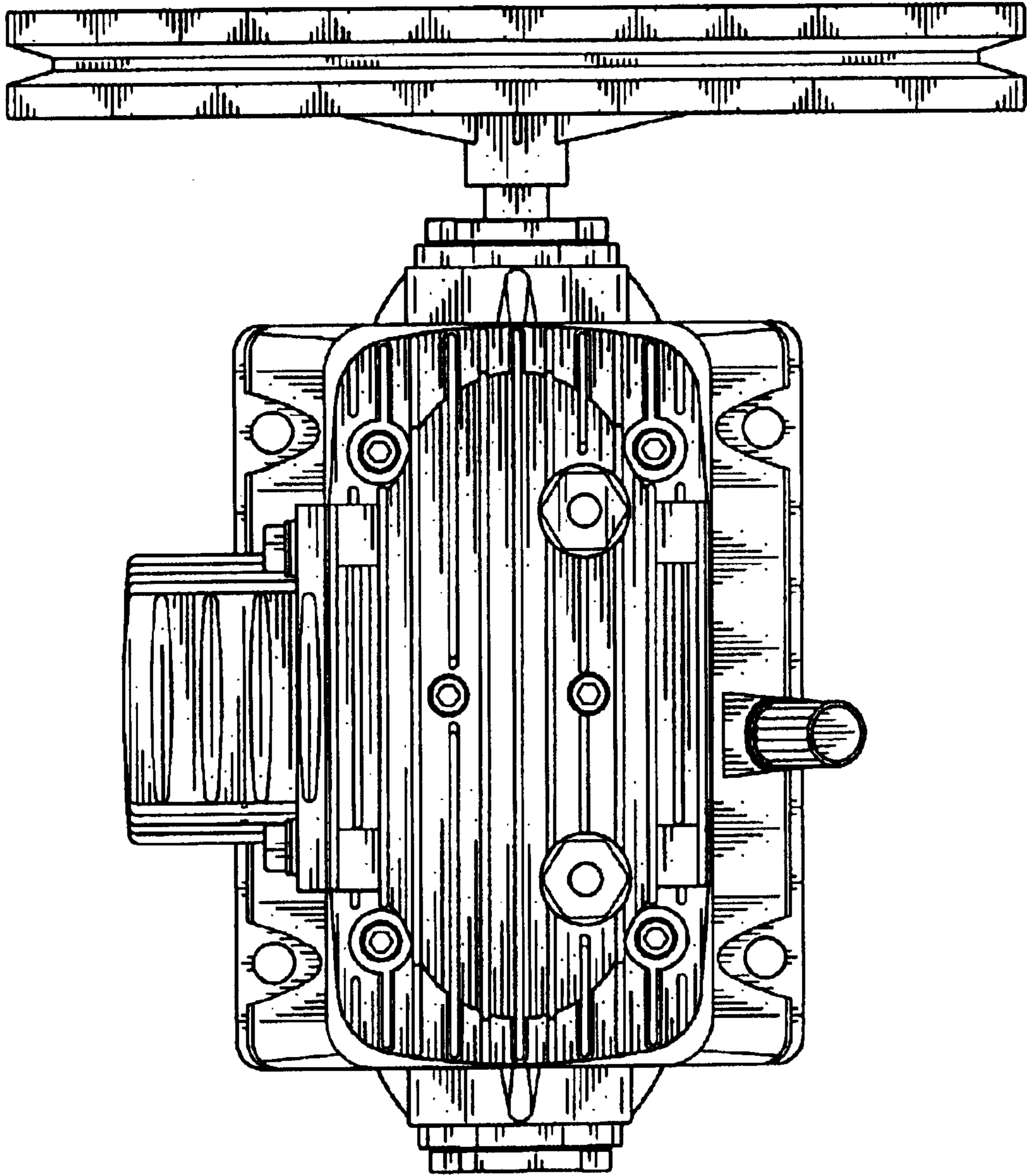


FIG. 3

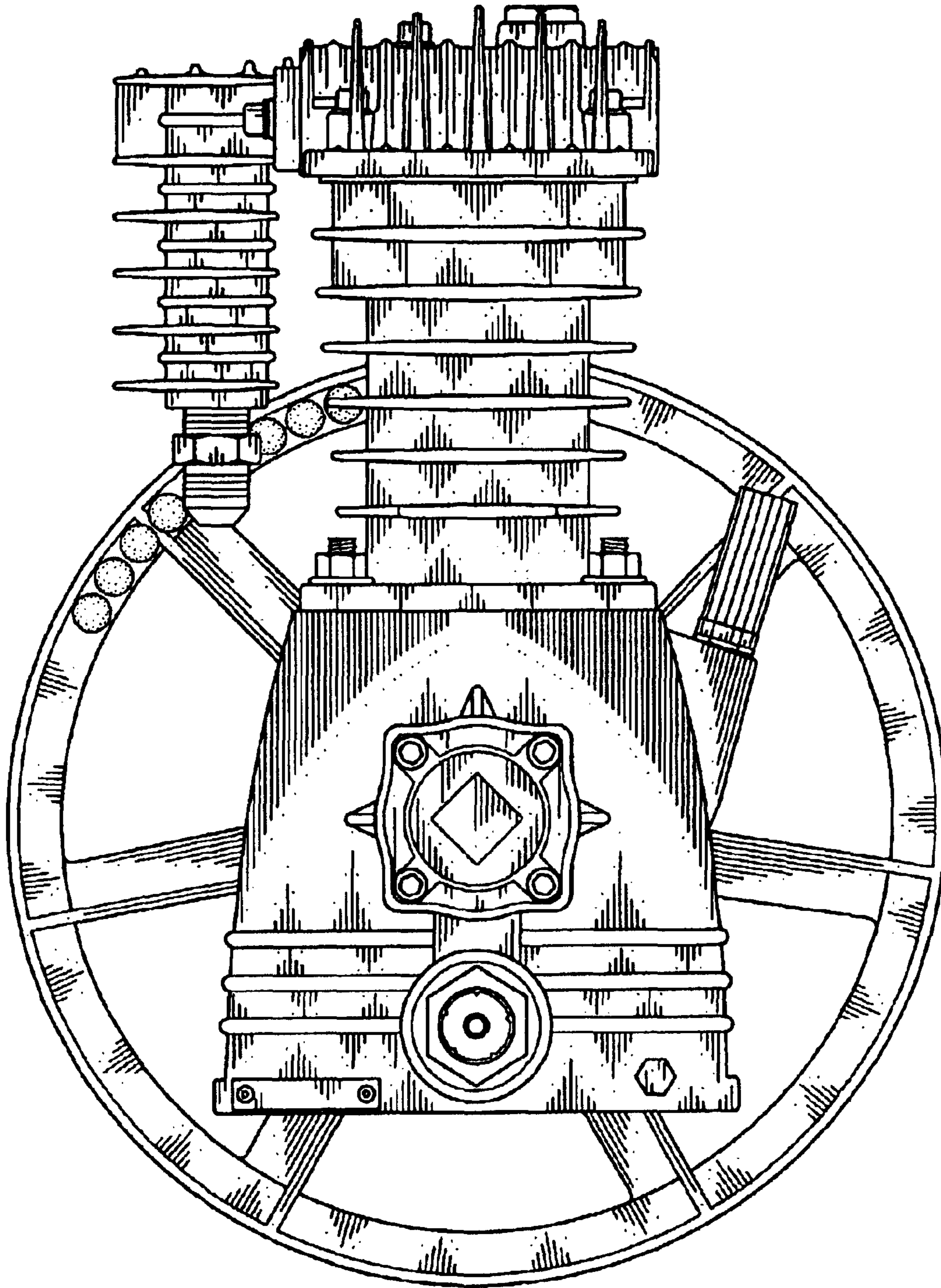


FIG. 4

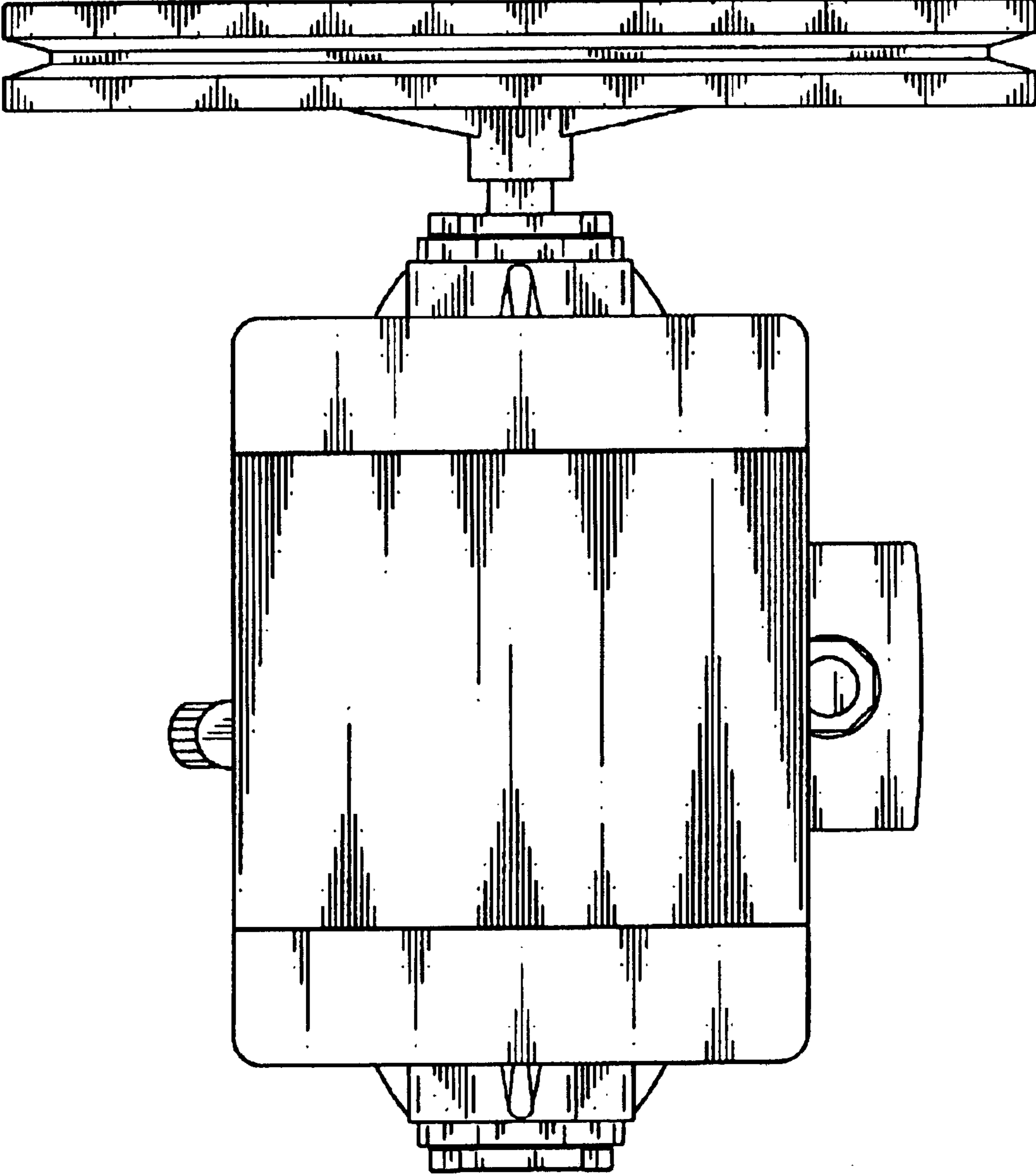


FIG. 5

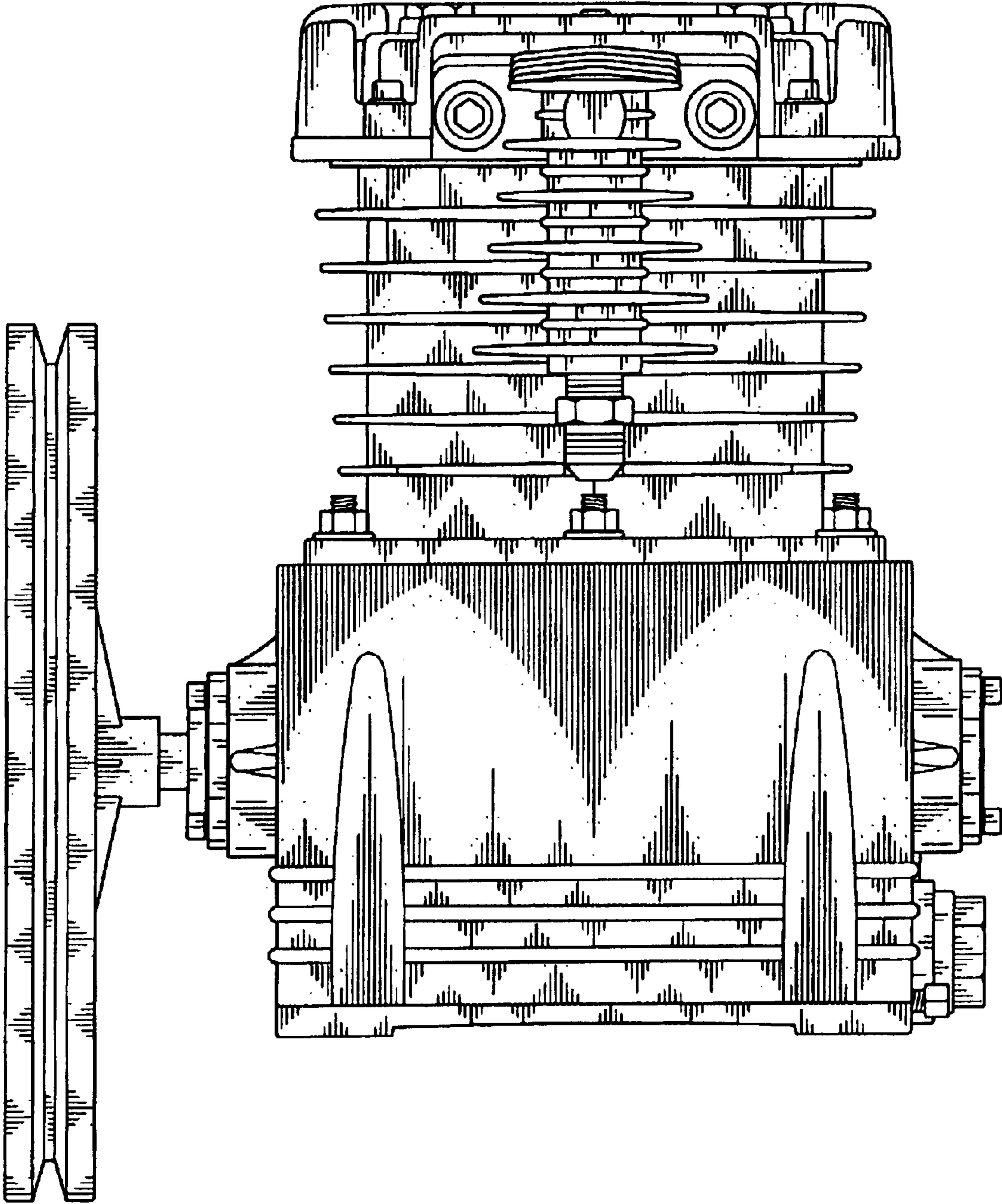


FIG. 6

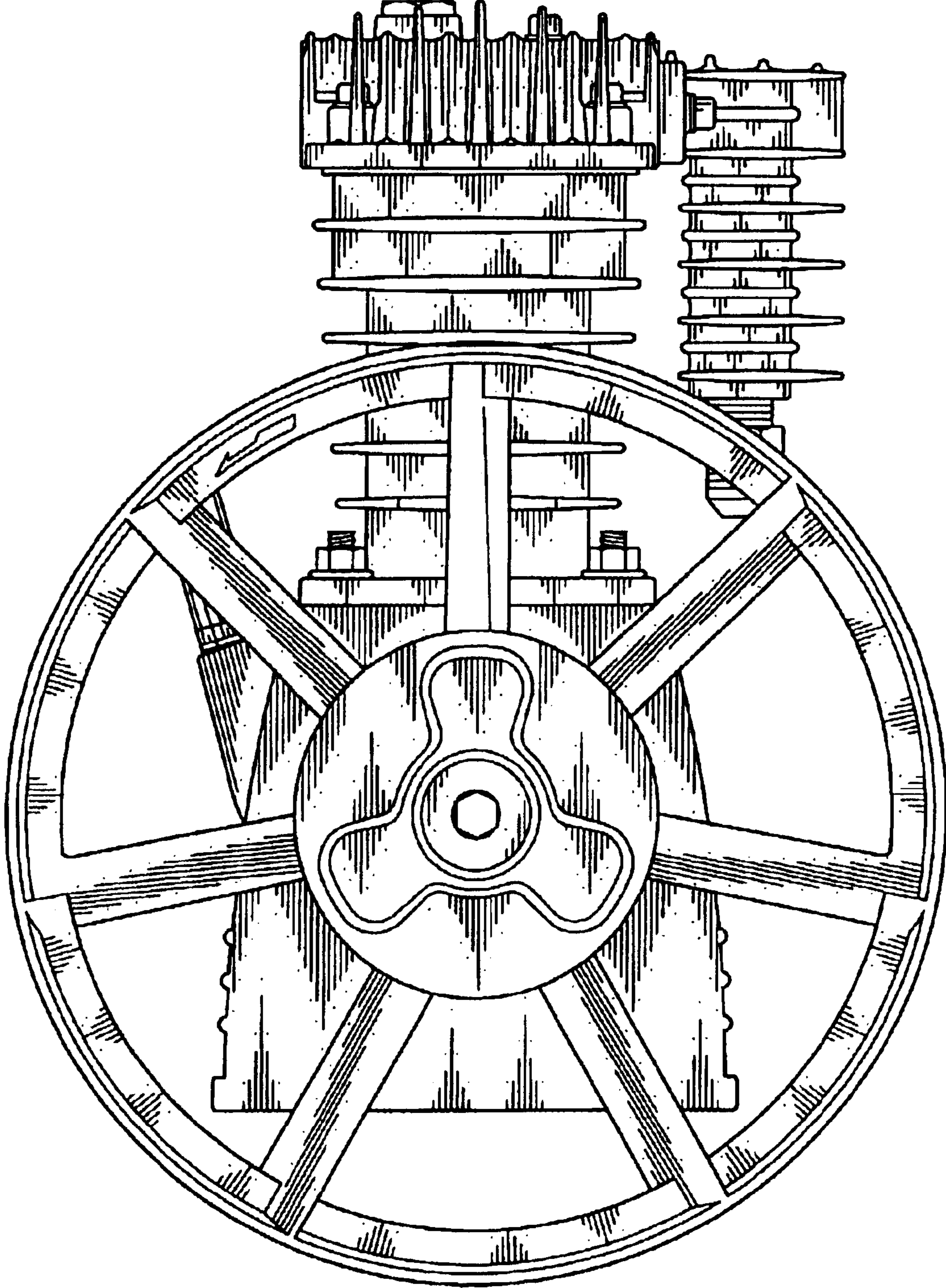


FIG. 7