

US00D502707S

(12) **United States Design Patent**
Huang-Yao

(10) **Patent No.:** **US D502,707 S**
(45) **Date of Patent:** **** Mar. 8, 2005**

(54) **FACE PLATE FOR COMPUTER HOUSING**

Primary Examiner—Freda S. Nunn

(75) **Inventor:** **Hsu Huang-Yao, Taipei (TW)**

(57) **CLAIM**

(73) **Assignee:** **Shuttle, Inc., Taipei (TW)**

The ornamental design for a face plate for computer housing, as shown and described.

(**) **Term:** **14 Years**

DESCRIPTION

(21) **Appl. No.:** **29/201,681**

FIG. 1 is a perspective view of a face plate for computer housing showing my new design;

(22) **Filed:** **Mar. 19, 2004**

FIG. 2 is a front view thereof;

(51) **LOC (7) Cl. 14-02**

FIG. 3 is a rear view thereof;

(52) **U.S. Cl. D14/441**

FIG. 4 is a left side view thereof;

(58) **Field of Search** D14/441-446;
D13/162, 184, 199; 312/223.2; 361/680-686,
690-696; D18/41

FIG. 5 is a right side view thereof;

FIG. 6 is a top view thereof;

(56) **References Cited**

FIG. 7 is a bottom view thereof; and,

U.S. PATENT DOCUMENTS

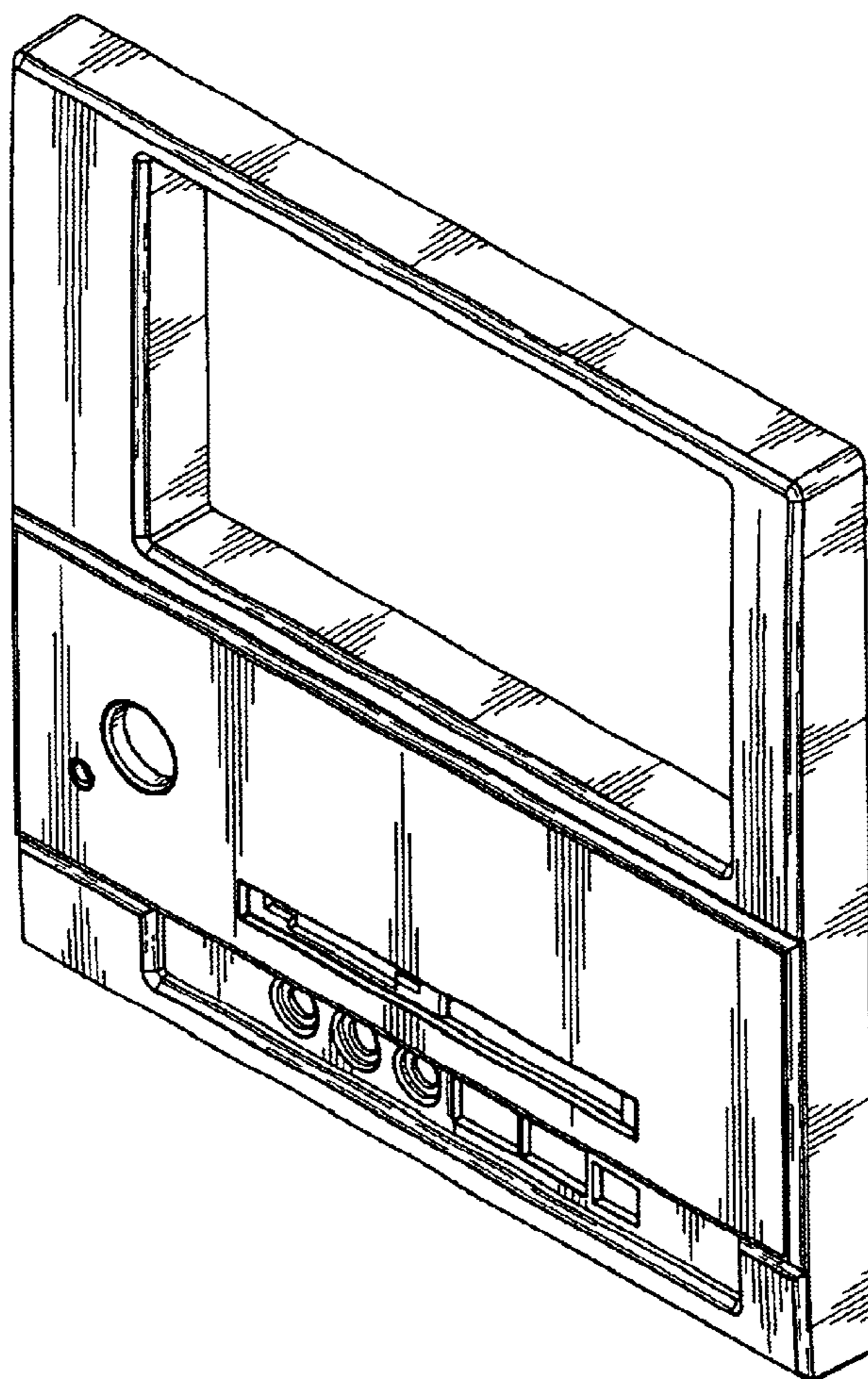
FIG. 8 is a perspective view showing the face plate for computer housing in use.

D395,879 S	*	7/1998	Drechsler et al.	D14/442
D426,259 S	*	6/2000	Kabumoto et al.	D18/41
D477,839 S	*	7/2003	Agata	D18/41
D486,493 S	*	2/2004	Yang	D14/441

The broken line environmental showing is for illustrative purpose only and forms no part of the claimed design.

* cited by examiner

1 Claim, 7 Drawing Sheets



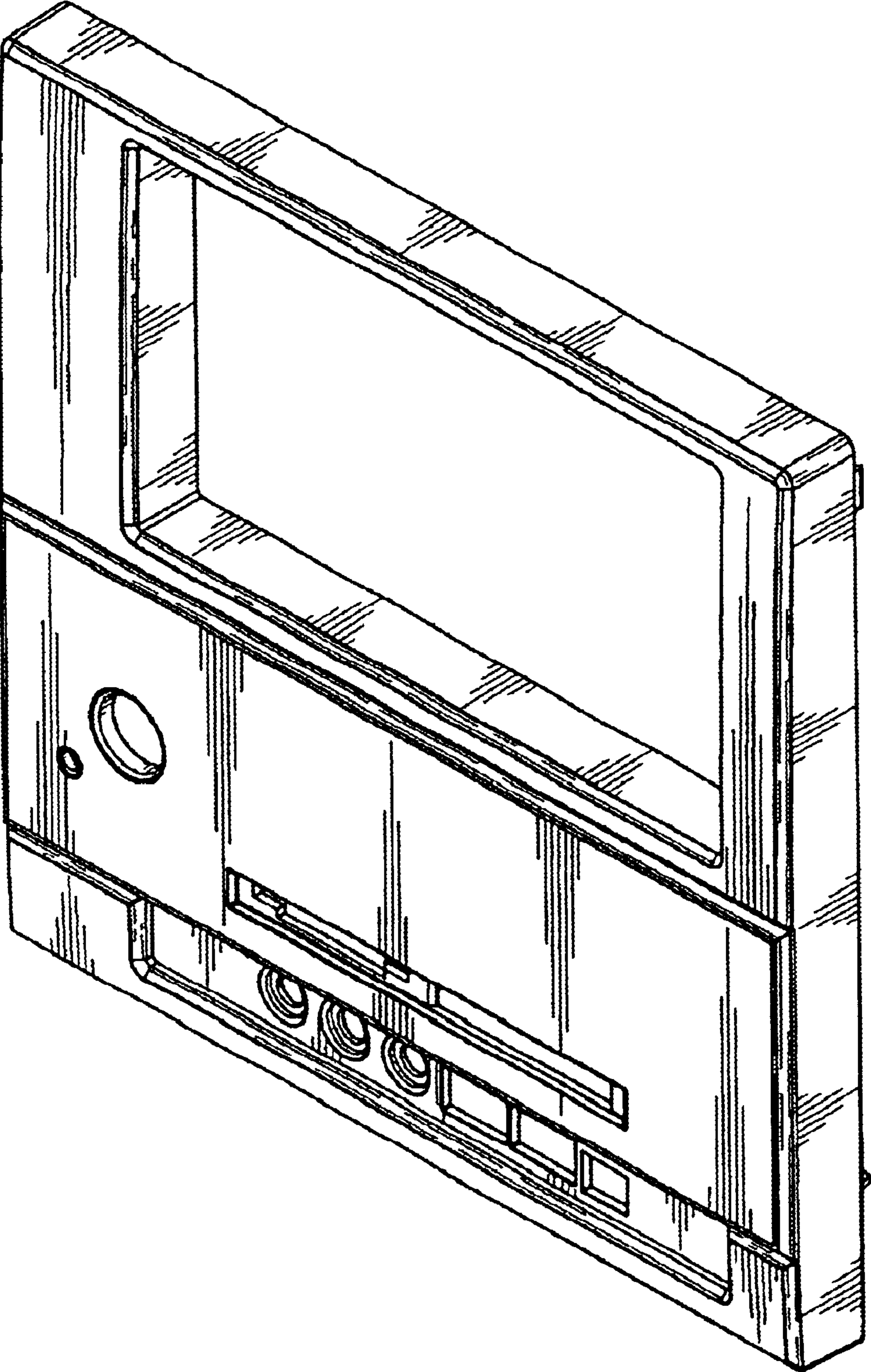


FIG. 1

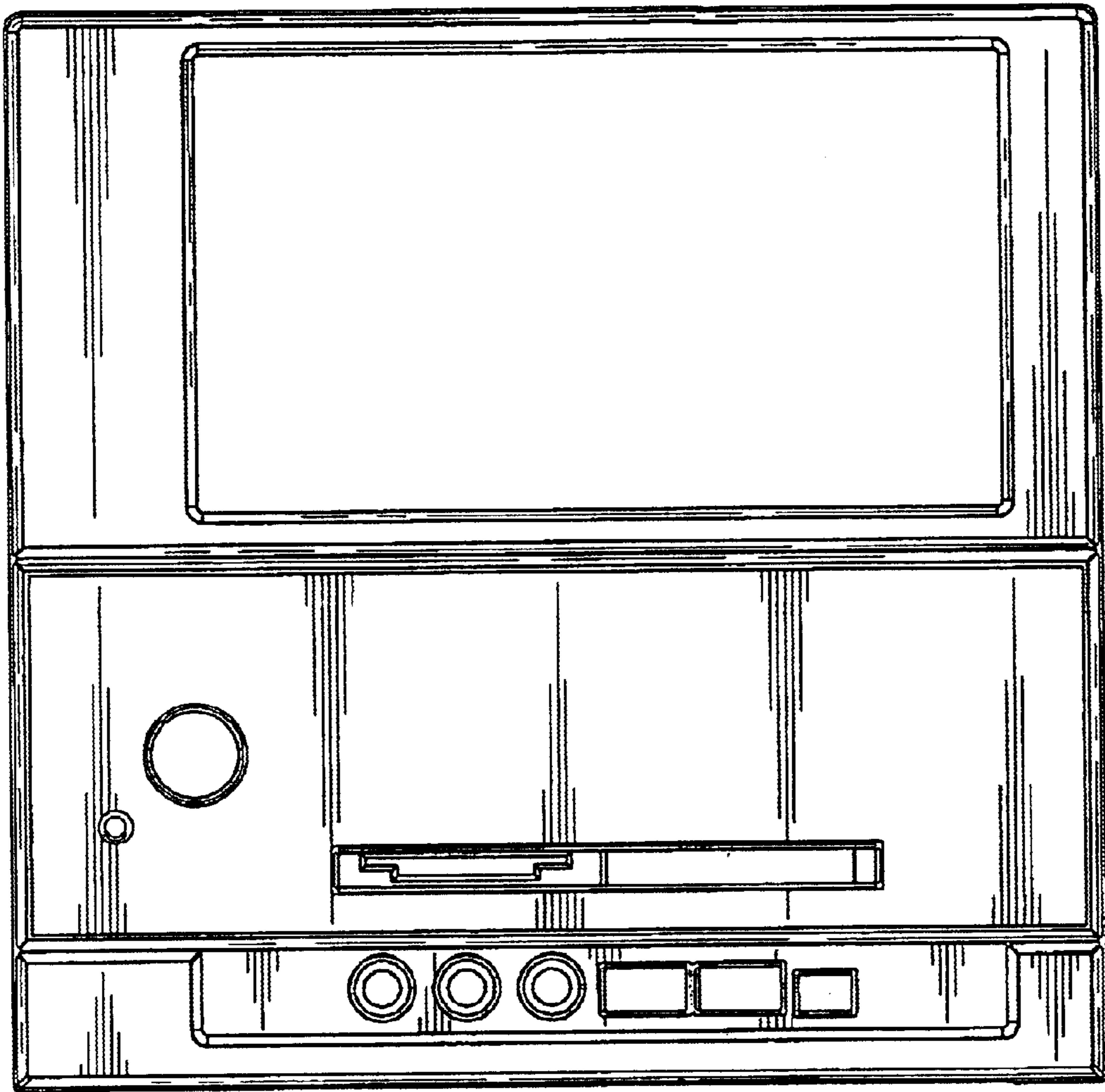


FIG. 2

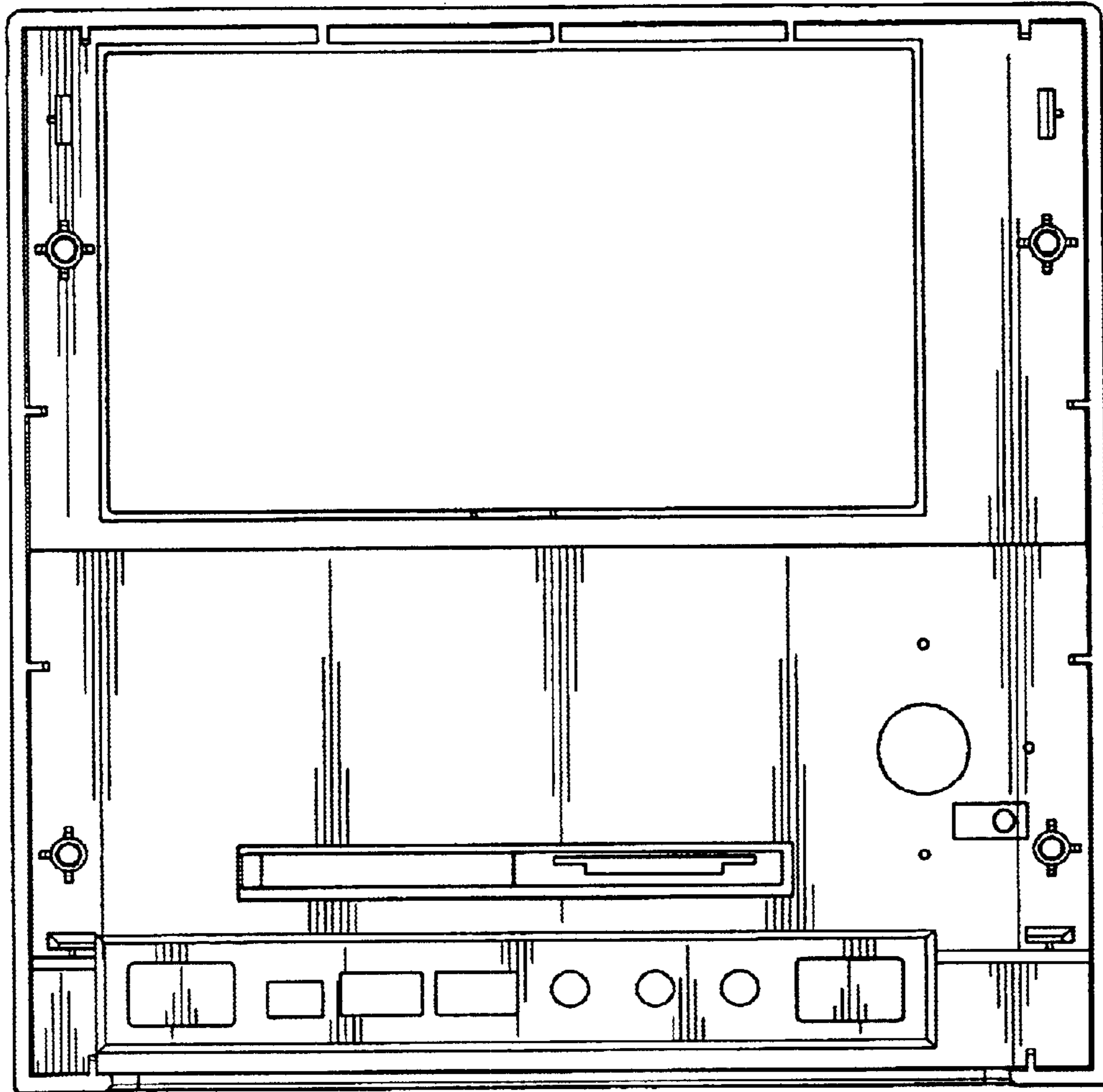


FIG. 3

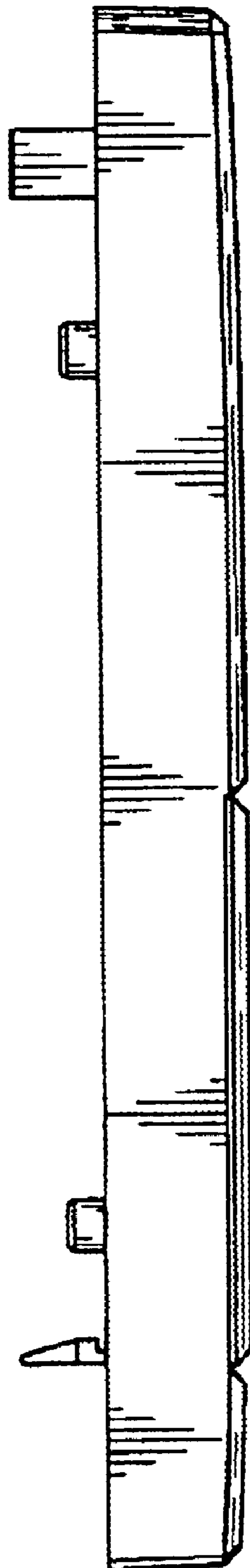


FIG. 4

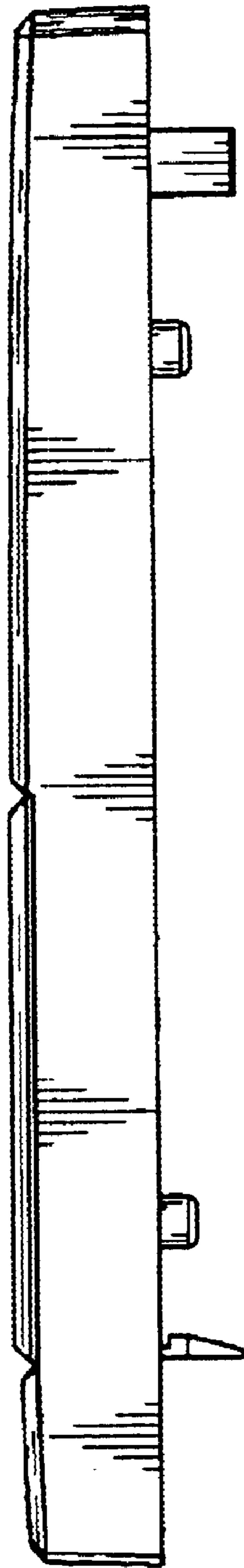


FIG. 5

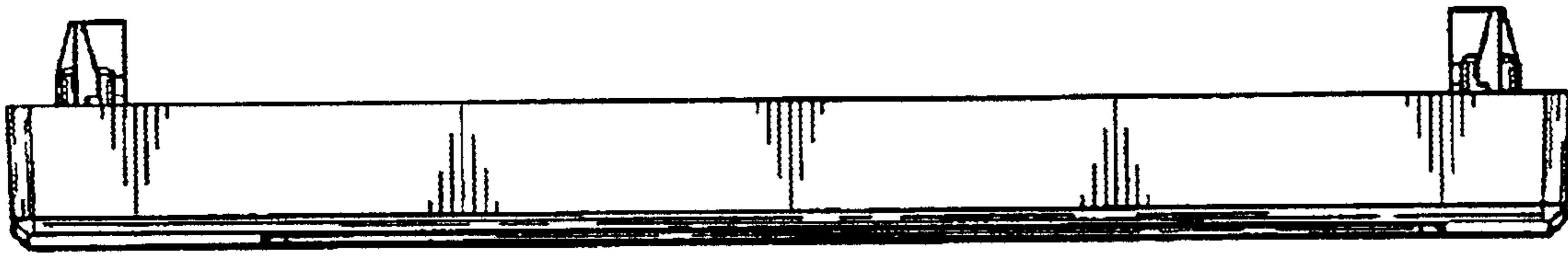


FIG. 6

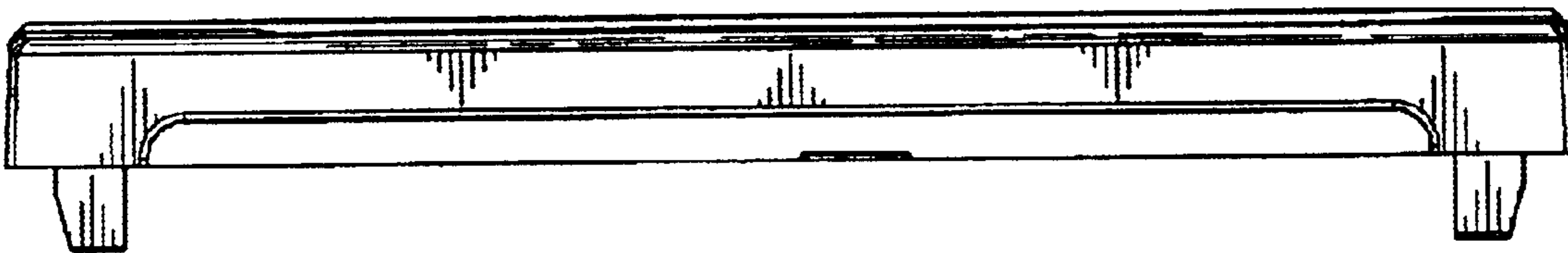


FIG. 7

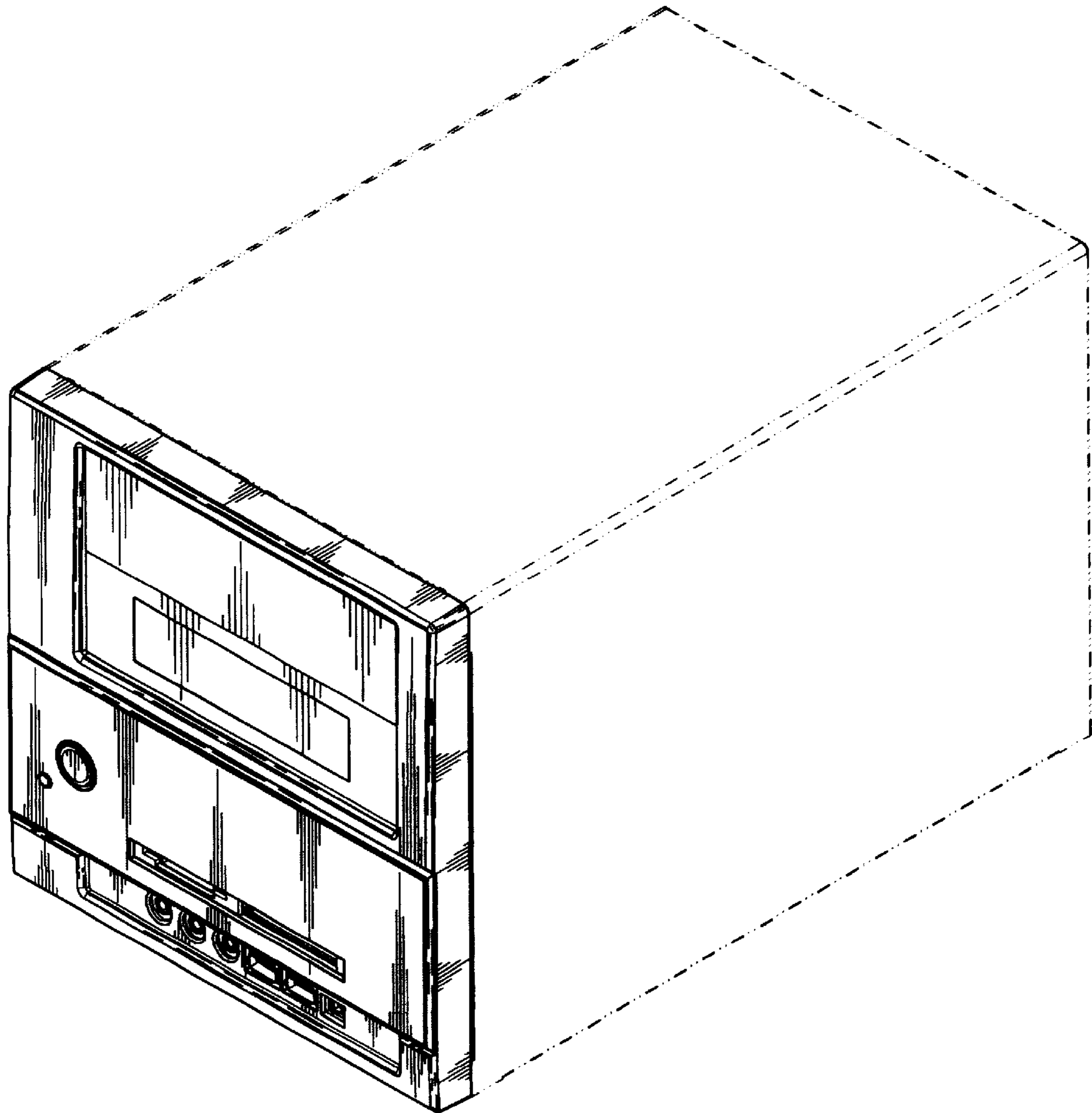


FIG. 8