

US00D502701S

(12) **United States Design Patent**
Takuma

(10) **Patent No.:** **US D502,701 S**
(45) **Date of Patent:** **** Mar. 8, 2005**

(54) **COMPUTER**

(75) **Inventor:** **Tomoaki Takuma, Tokyo (JP)**

(73) **Assignee:** **Sony Corporation, Tokyo (JP)**

(**) **Term:** **14 Years**

(21) **Appl. No.:** **29/202,323**

(22) **Filed:** **Mar. 30, 2004**

(51) **LOC (7) Cl. 14-02**

(52) **U.S. Cl. D14/345**

(58) **Field of Search** D14/341-346;
D18/1, 2, 7; 345/156, 168, 169, 172, 173;
349/12; 361/680-686; 708/105

(56) **References Cited**

U.S. PATENT DOCUMENTS

D408,021 S	*	4/1999	Haitani et al.	D14/345
D410,486 S	*	6/1999	Takahata et al.	D14/345
D432,535 S	*	10/2000	Loh et al.	D14/345
D464,961 S		10/2002	Sogabe	
D466,115 S	*	11/2002	Hawkins et al.	D14/345
D482,030 S		11/2003	Kataoka	

OTHER PUBLICATIONS

Web page "SonyDrive, PEG-SJ33" <http://www.sony.jp/products/Consumer/PEG/PEG-SJ33/index.html>, 1 sheet, Sony (Jan. 2004).

* cited by examiner

Primary Examiner—Freda S. Nunn

(74) *Attorney, Agent, or Firm*—Rader, Fishman & Grauer PLLC

(57) **CLAIM**

The ornamental design for a computer, as shown.

DESCRIPTION

FIG. 1 is a perspective view of a computer showing my new design;

FIG. 2 is a front elevational view thereof;

FIG. 3 is a rear elevational view thereof;

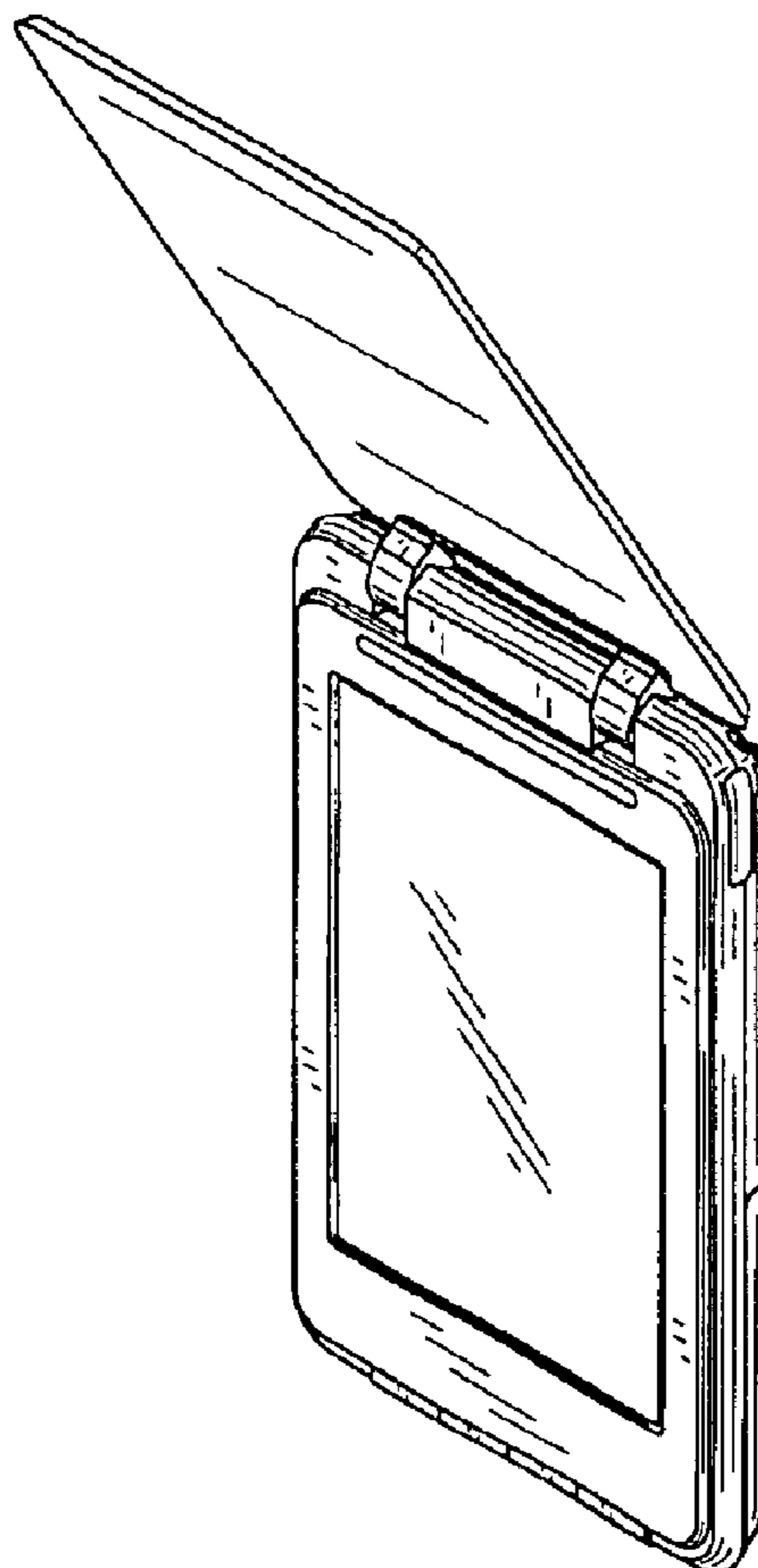
FIG. 4 is a left side elevational view thereof;

FIG. 5 is a right side elevational view thereof;

FIG. 6 is a top plan view thereof; and,

FIG. 7 is a bottom plan view thereof.

1 Claim, 4 Drawing Sheets



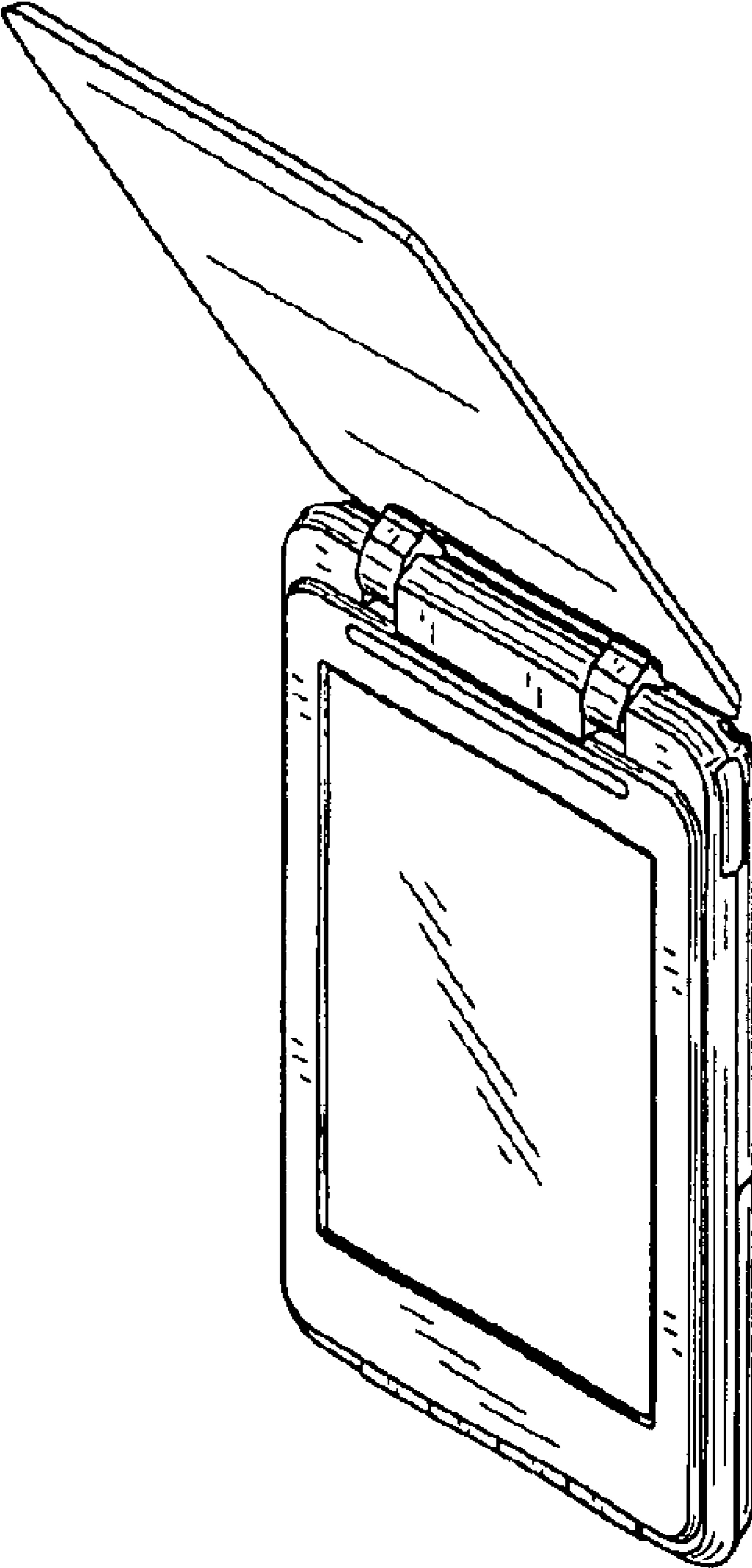


FIG. 1

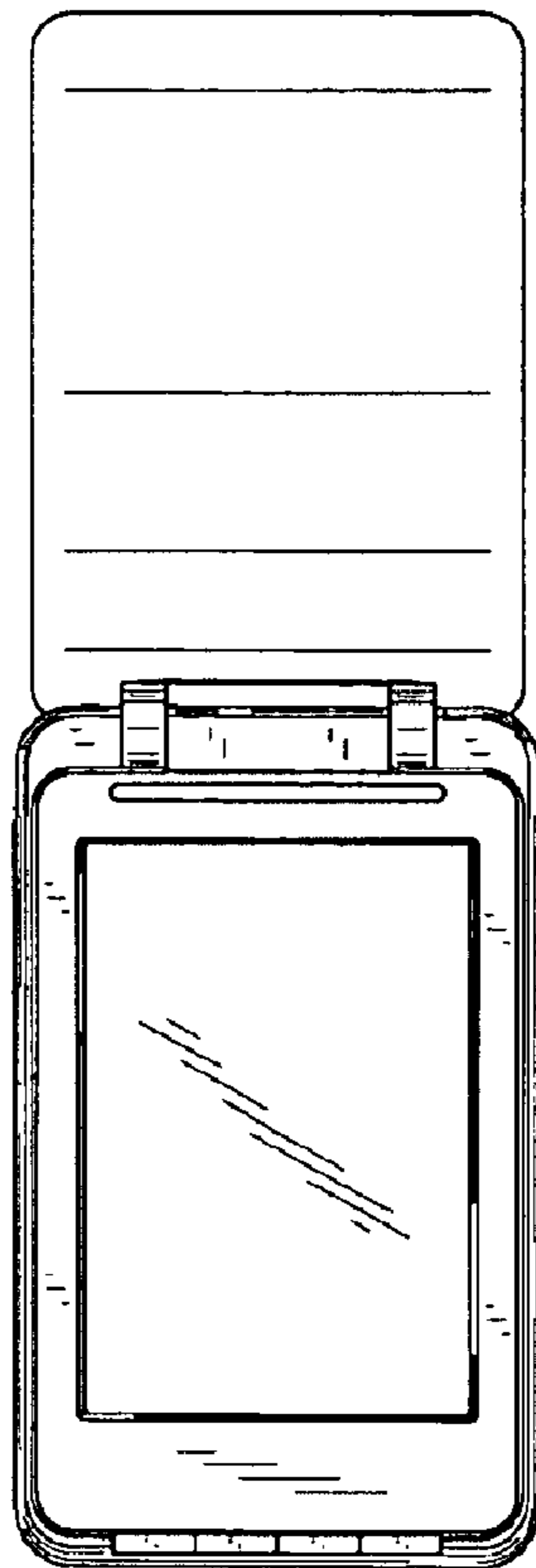


FIG. 2

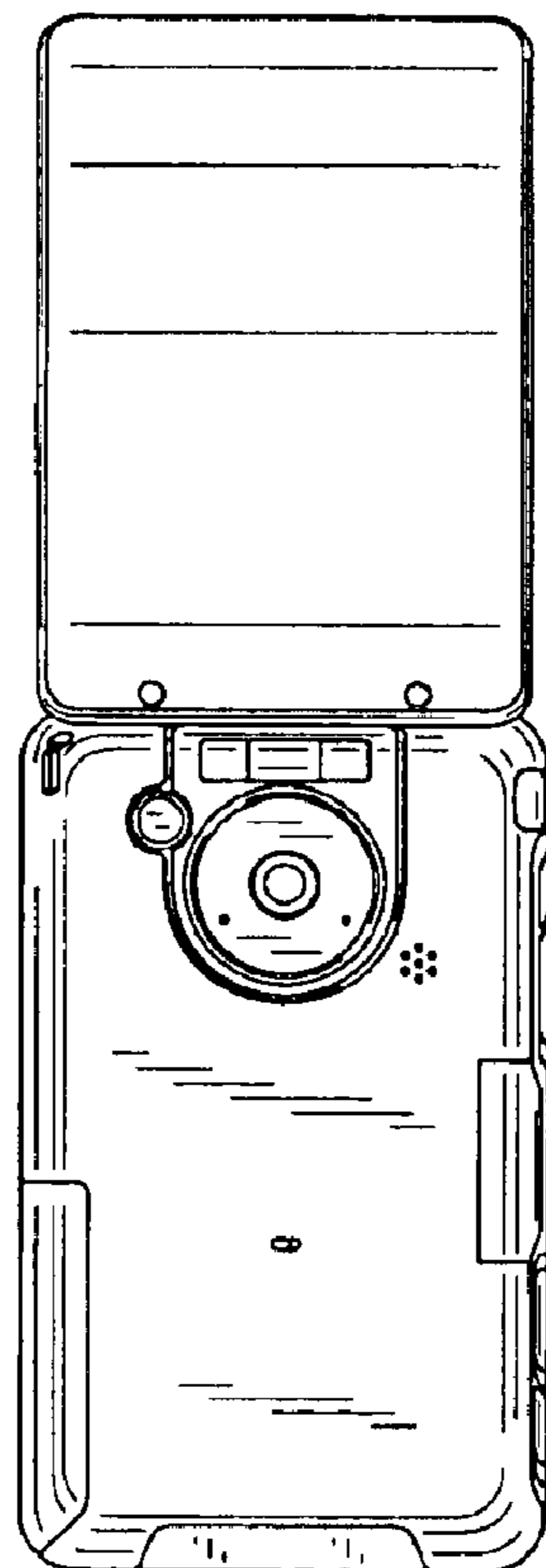


FIG. 3

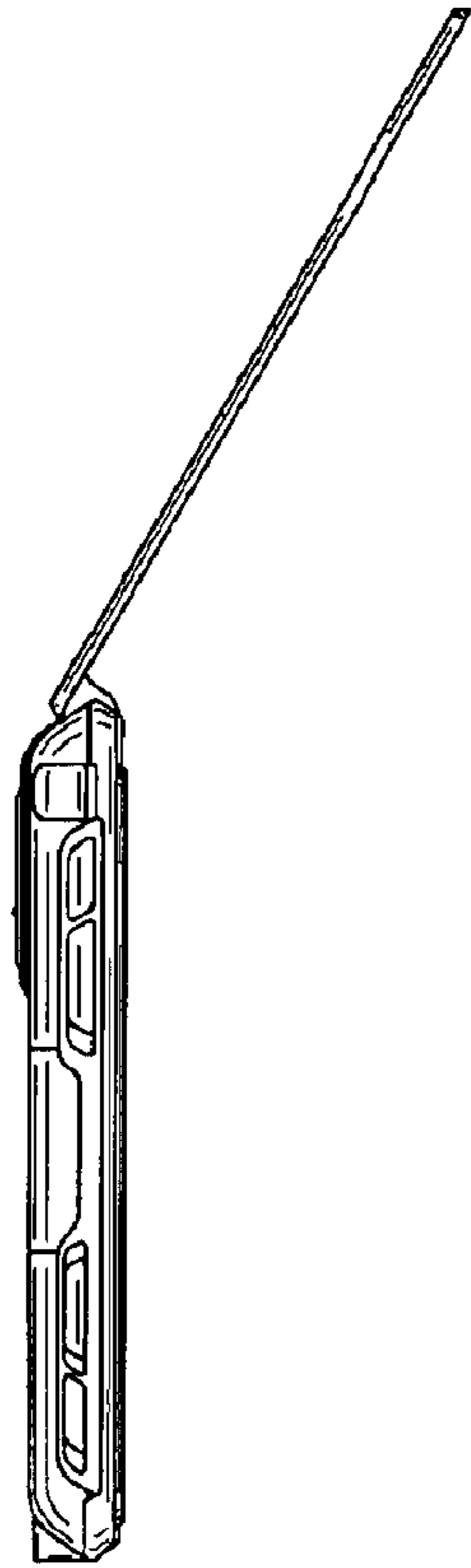


FIG. 4

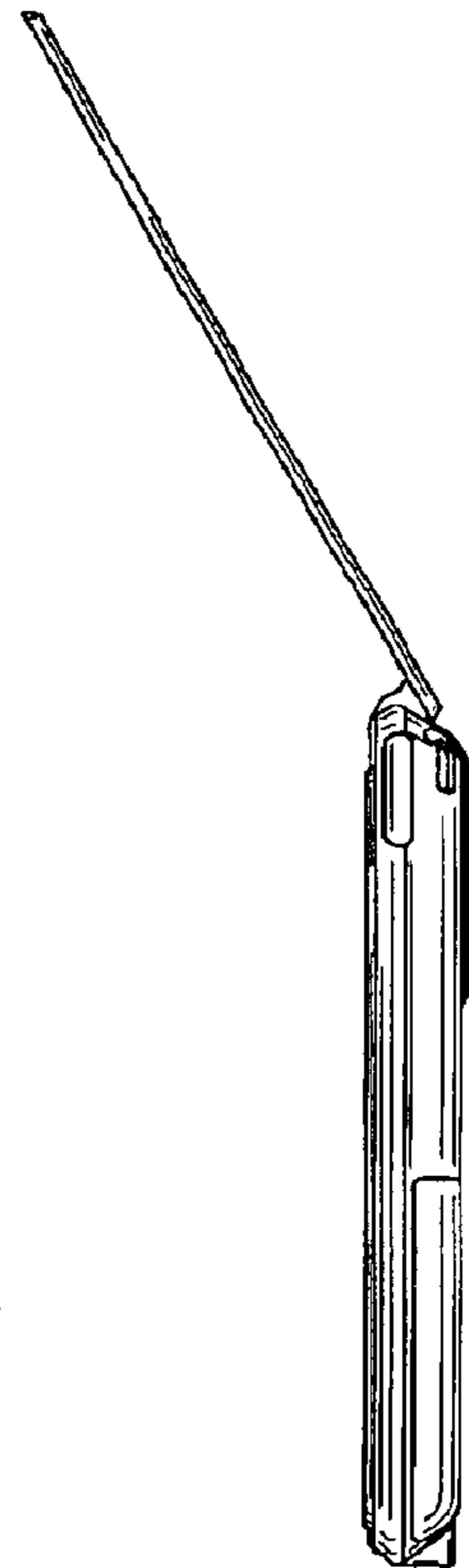


FIG. 5

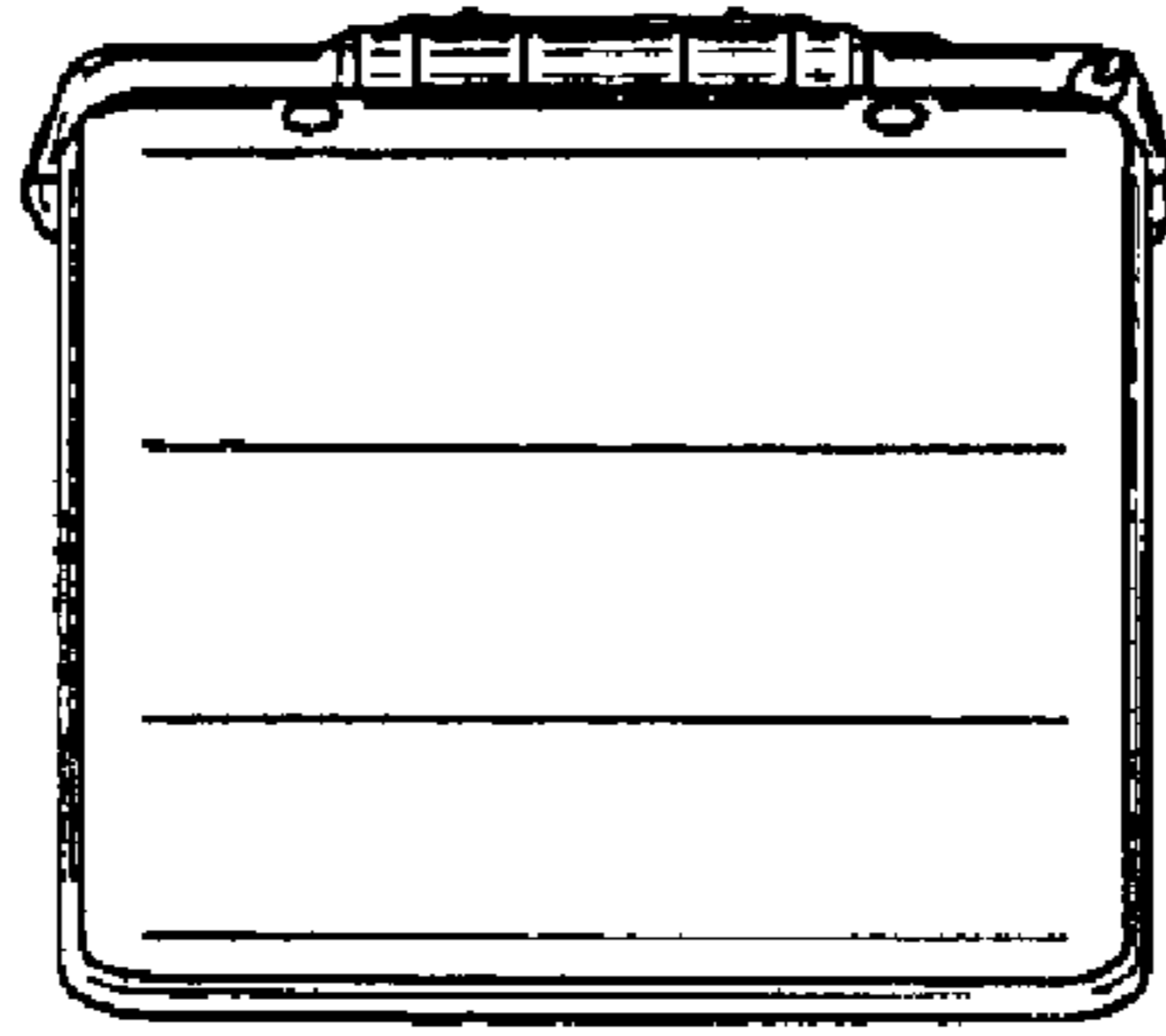


FIG. 6

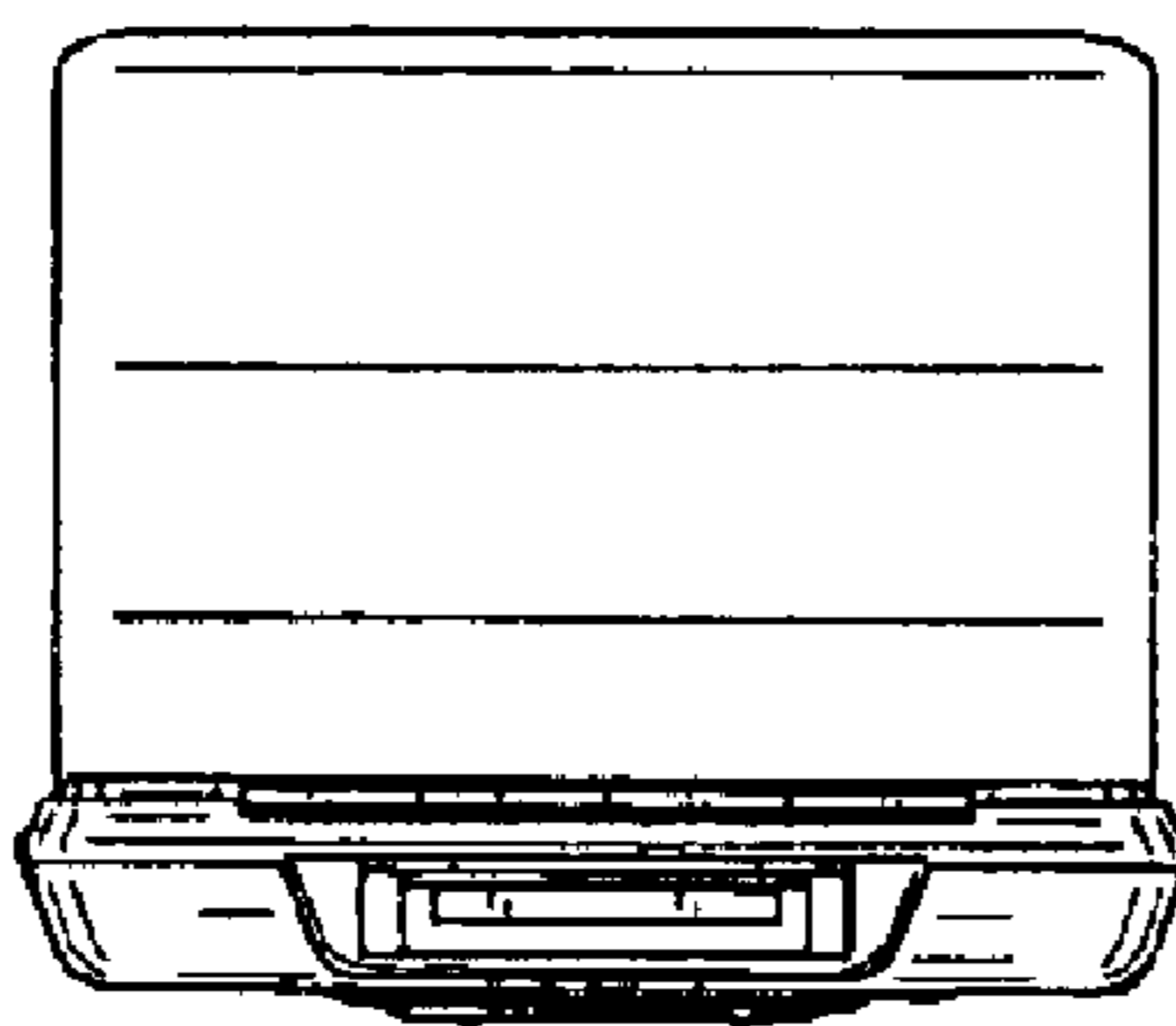


FIG. 7