



US00D502700S

(12) **United States Design Patent**
Takuma

(10) **Patent No.:** **US D502,700 S**
(45) **Date of Patent:** **** Mar. 8, 2005**

(54) **COMPUTER**

(75) **Inventor:** **Tomoaki Takuma, Tokyo (JP)**

(73) **Assignee:** **Sony Corporation, Tokyo (JP)**

(**) **Term:** **14 Years**

(21) **Appl. No.:** **29/202,321**

(22) **Filed:** **Mar. 30, 2004**

(51) **LOC (7) Cl. 14-02**

(52) **U.S. Cl. D14/345**

(58) **Field of Search** D14/341-346;
D18/1, 2, 7; 345/156, 168, 169, 172, 173;
349/12; 361/680-686; 708/105

(56) **References Cited**

U.S. PATENT DOCUMENTS

5,555,157	A	*	9/1996	Moller et al.	361/683
D383,731	S	*	9/1997	Mieki et al.	D14/345
5,898,600	A	*	4/1999	Isashi	708/105
D430,566	S	*	9/2000	Chu et al.	D14/345
D445,413	S		7/2001	Yano	
D466,115	S	*	11/2002	Hawkins et al.	D14/345
D468,736	S	*	1/2003	Loh et al.	D14/345
D473,564	S		4/2003	Yano	
D477,316	S		7/2003	Ogasawara	
D477,317	S		7/2003	Ogasawara	

OTHER PUBLICATIONS

Web page "Zaurus, MI-E25DC" <http://ezaurus.com/lineup/mi/index.html>, 2 sheets, Sharp (Jan. 2004).

Web page "PalmOne, Zire™ Handheld w/Digital Camera" <http://www.palmone.com/us/solutions/personal/palmphotos/>, http://plam.imageg.net/graphics/product_images/p967934_camera_dt.jpg, 2 sheets, PalmOne (Jan. 2004).

* cited by examiner

Primary Examiner—Freda S. Nunn

(74) *Attorney, Agent, or Firm*—Rader, Fishman & Grauer PLLC

(57) **CLAIM**

The ornamental design for a computer, as shown and described.

DESCRIPTION

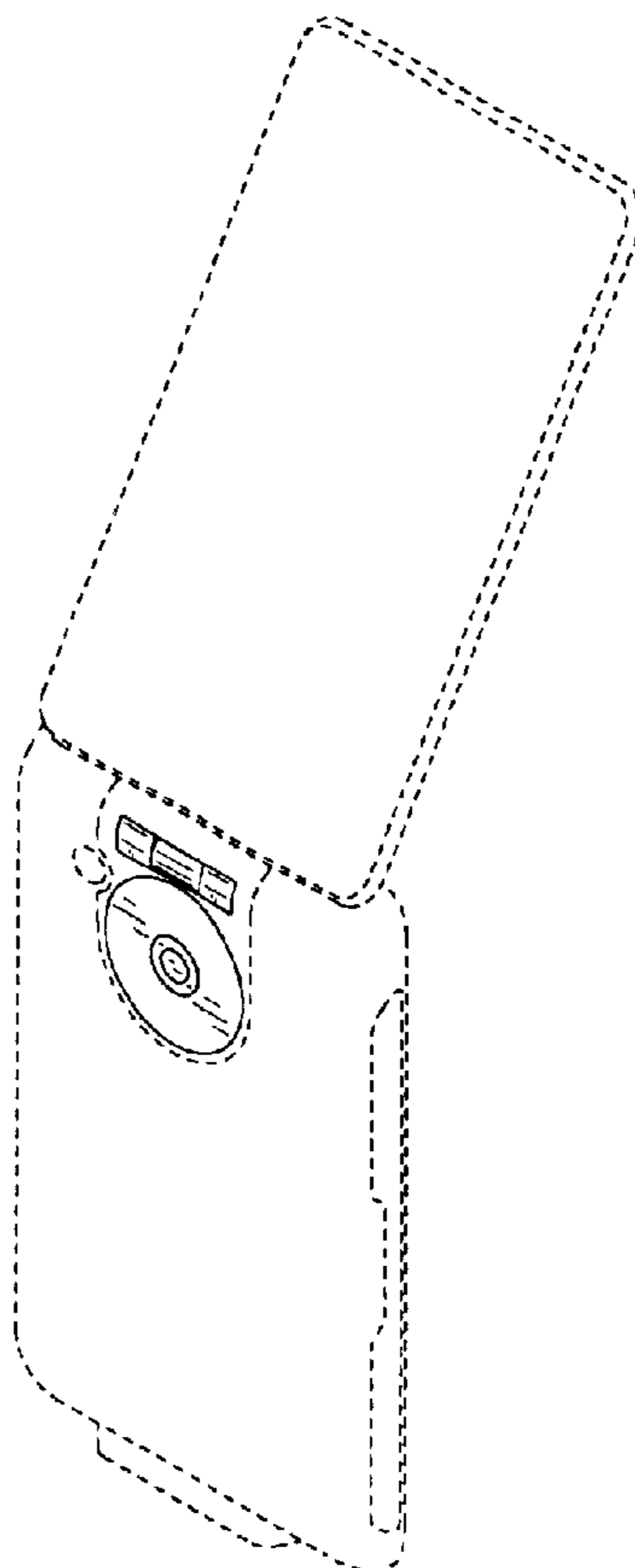
FIG. 1 is a rear left top perspective view of a computer showing my new design;

FIG. 2 is a rear elevational view thereof; and,

FIG. 3 is a top plan view thereof.

Portions of FIGS. 1-3 that are shown as broken lines are for illustrative purpose only and form no part of the claimed design.

1 Claim, 3 Drawing Sheets



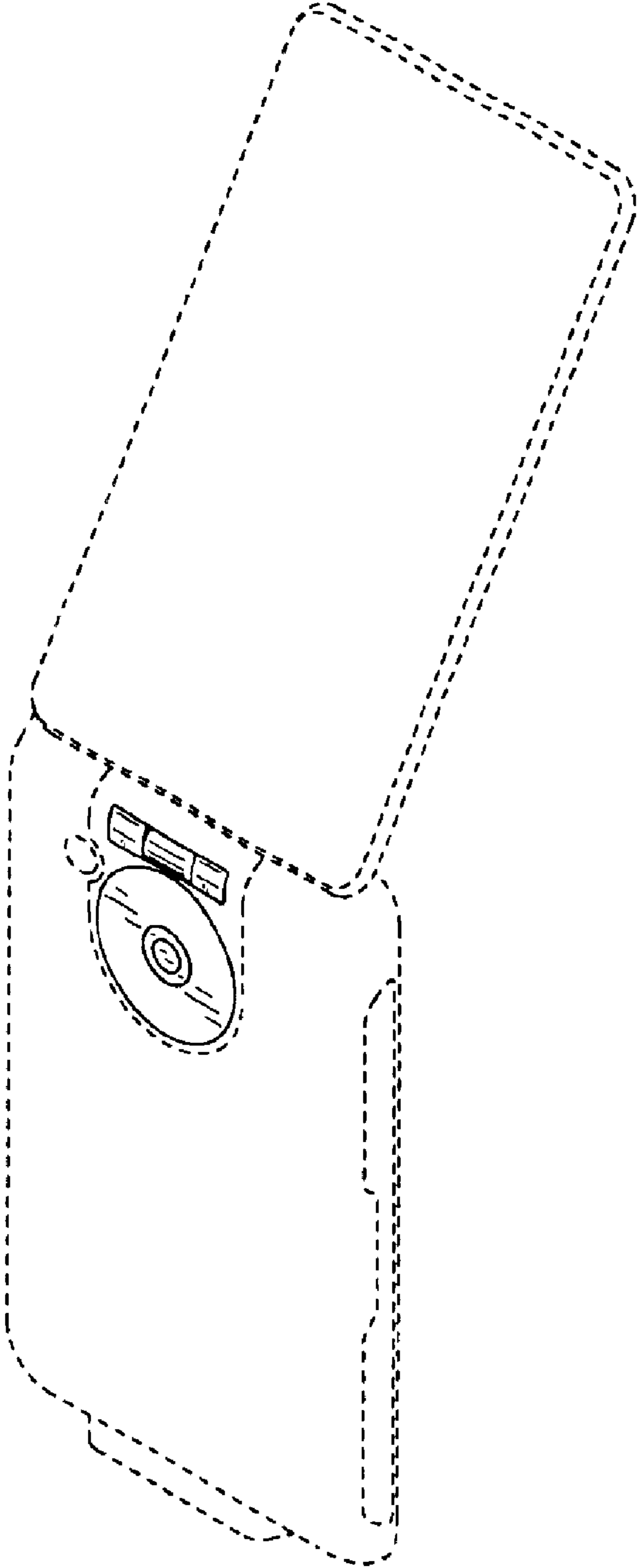


FIG. 1

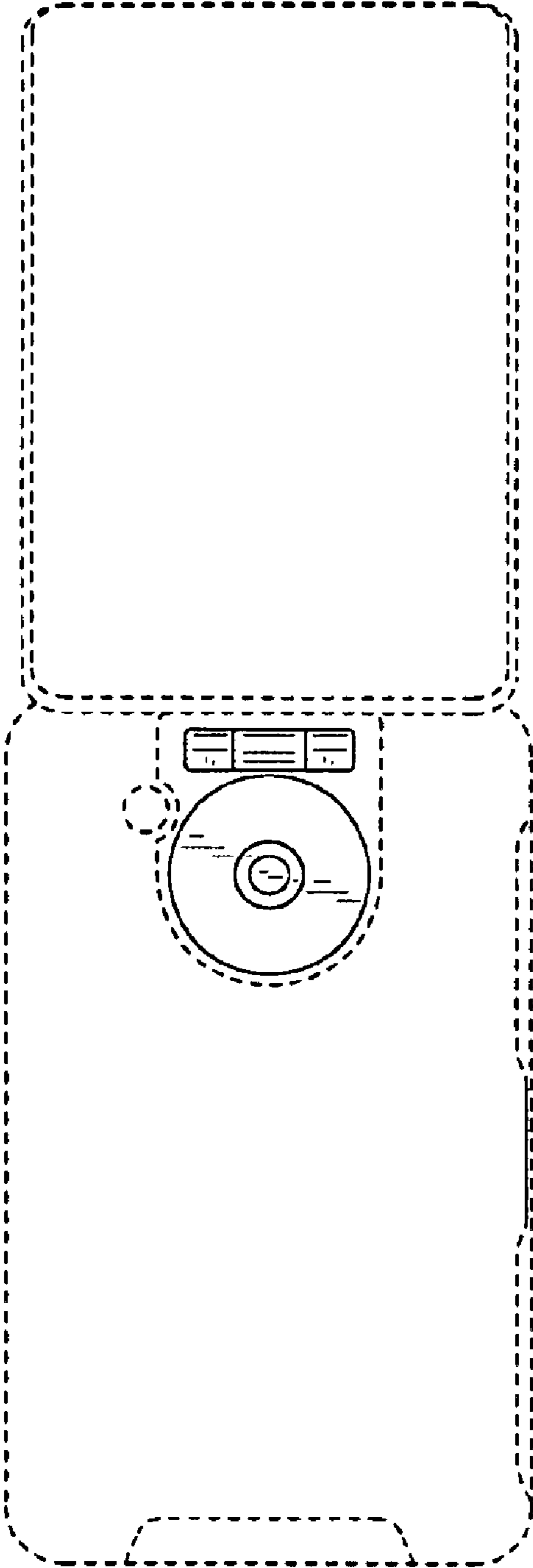


FIG. 2

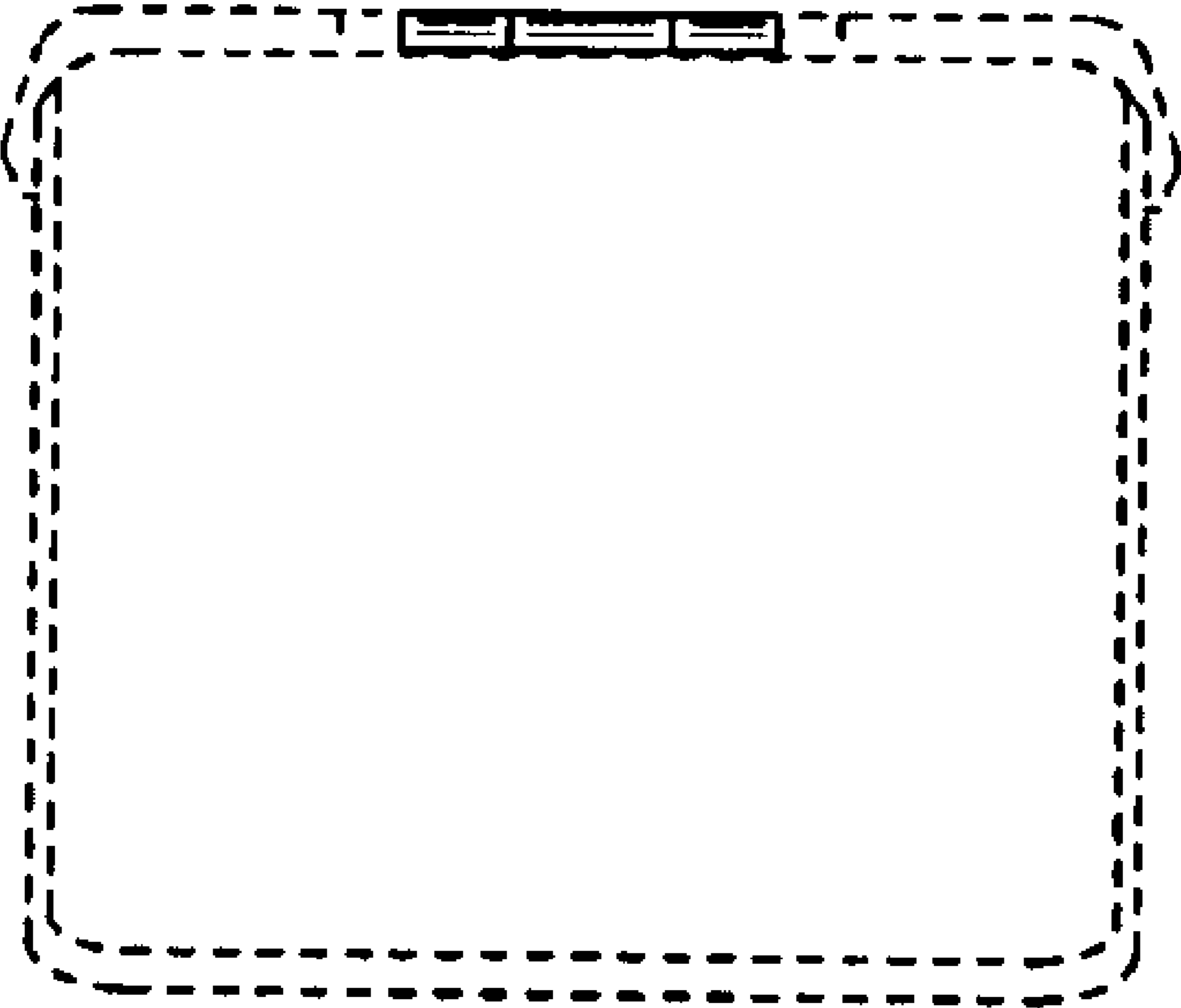


FIG. 3