



US00D502696S

(12) **United States Design Patent**
Ishibashi

(10) **Patent No.: US D502,696 S**
(45) **Date of Patent: ** Mar. 8, 2005**

(54) **AUDIO RECEIVER**

(75) Inventor: **Yasuhiro Ishibashi**, Tokyo (JP)

(73) Assignee: **Sony Corporation**, Tokyo (JP)

(**) Term: **14 Years**

(21) Appl. No.: **29/201,372**

(22) Filed: **Mar. 16, 2004**

(51) **LOC (7) Cl. 14-03**

(52) **U.S. Cl. D14/198; D41/188; D41/168**

(58) **Field of Search D14/188-198,**
D14/168-170, 265, 156, 160; 455/344-351;
369/75.2, 75.1, 77.1, 77.2

(56) **References Cited**

U.S. PATENT DOCUMENTS

5,459,702 A	*	10/1995	Greenspan	369/25.01
5,650,891 A	*	7/1997	Thayne et al.	360/99.06
D391,259 S	*	2/1998	Ito et al.	D14/188
D431,032 S		9/2000	Sasago		
D431,033 S		9/2000	Takahashi et al.		
D435,031 S		12/2000	Uchiyama		
D435,034 S	*	12/2000	Tejima	D14/168
D436,942 S	*	1/2001	Ito et al.	D14/168
D444,138 S	*	6/2001	Ito et al.	D14/168
D459,715 S	*	7/2002	Tejima	D14/188
D460,063 S	*	7/2002	Oikawa et al.	D14/168
D479,519 S		9/2003	Hisatsune		
D489,355 S	*	5/2004	Yeh	D14/188

OTHER PUBLICATIONS

Web page "Sony France : Produits: STR-DA5000ES" http://www.sony.fr/PageView.do?site=odw_fr_FR&page=ProductHome§ion=fr_FR_Products&productm...., 1 sheet, Sony (Jan. 2004).

Web page "Sony Style, STR-DE995/S" http://www.sony-style.com/is-bin/INTERSHOP.enfinity/eCS/Store/en/-/USD/SY_DisplayProductInform..., 1 sheet, Sony (Jan. 2004).

Web page "DRA-201SA" http://www.yodobashi.com/enjoy/more/i/old2_445/1/86596.html, 1 sheet, Yodobashi camera (Jan. 2004).

* cited by examiner

Primary Examiner—Prabhakar Deshmukh
(74) *Attorney, Agent, or Firm*—Rader, Fishman & Grauer PLLC

(57) **CLAIM**

The ornamental design for an audio receiver, as shown.

DESCRIPTION

FIG. 1 is a perspective view of an audio receiver showing my new design;

FIG. 2 is a front elevational view thereof;

FIG. 3 is a rear elevational view thereof;

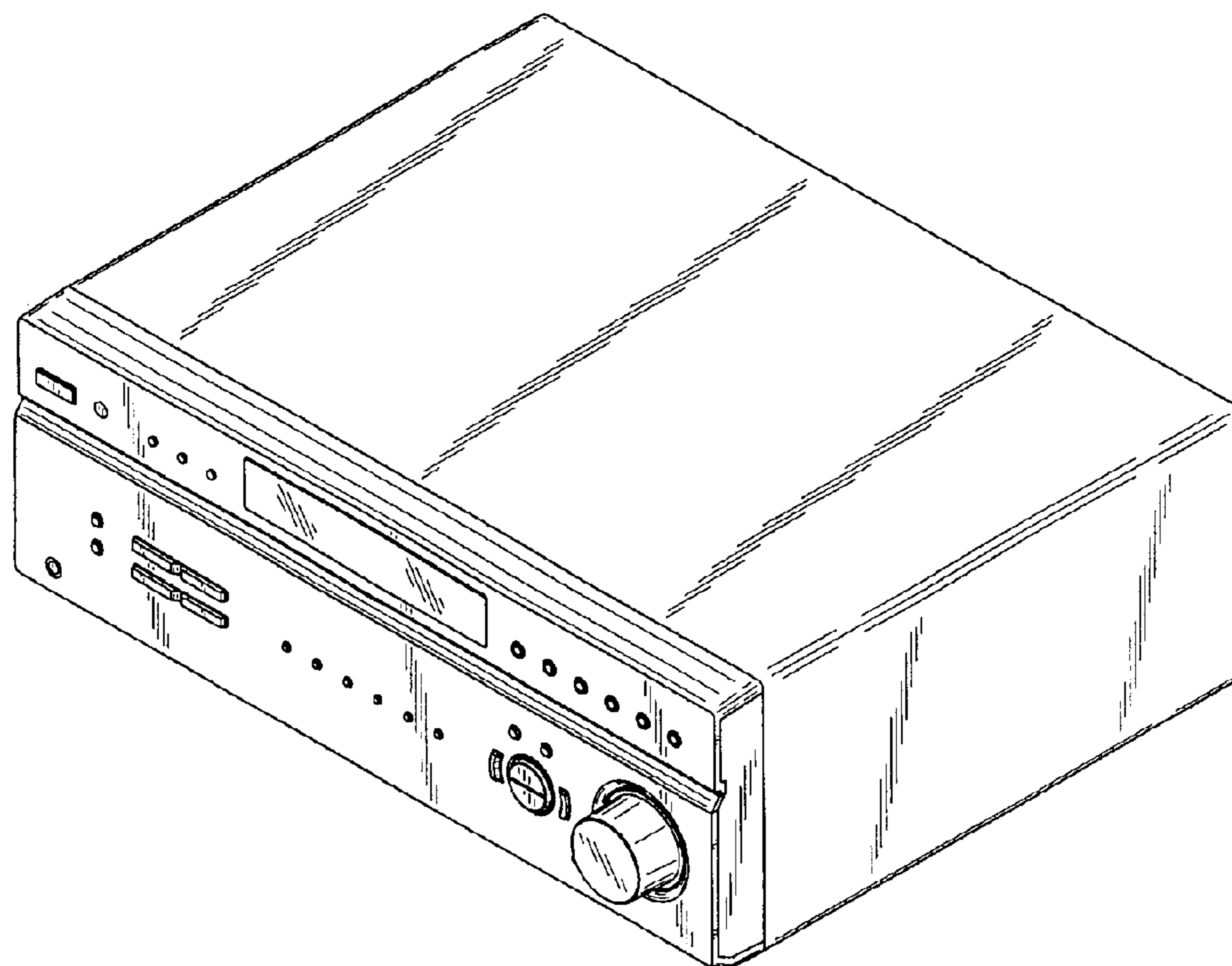
FIG. 4 is a left side elevational view thereof;

FIG. 5 is a right side elevational view thereof;

FIG. 6 is a top plan view thereof; and,

FIG. 7 is a bottom plan view thereof.

1 Claim, 4 Drawing Sheets



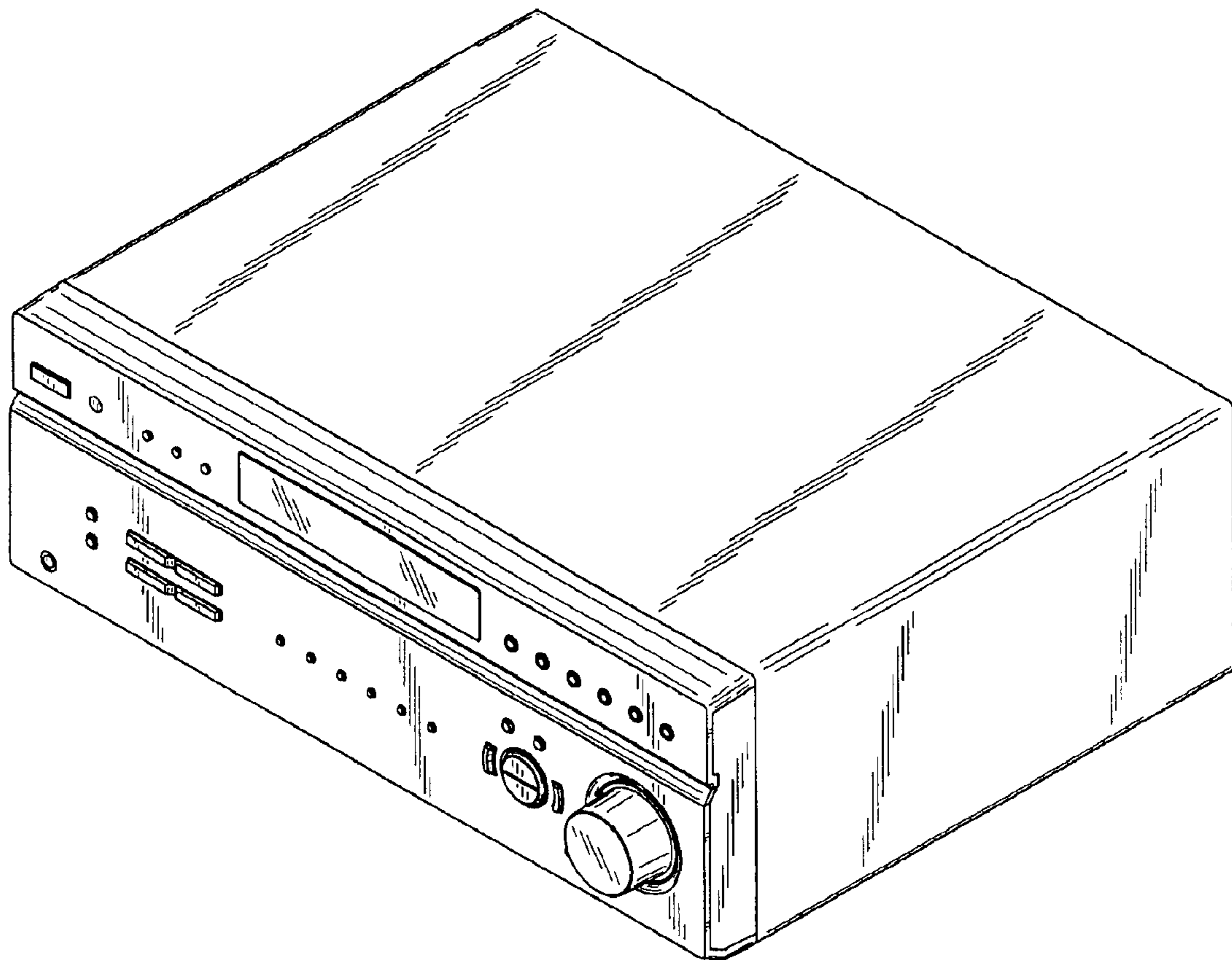


FIG. 1

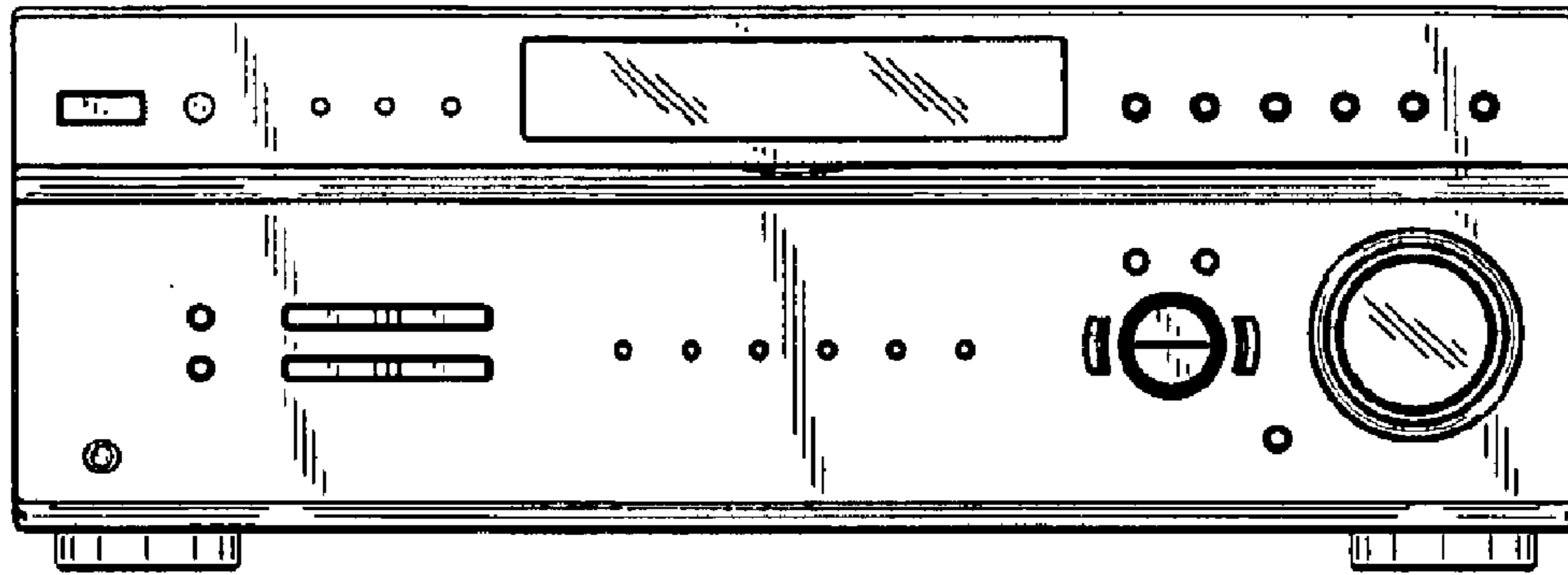


FIG. 2

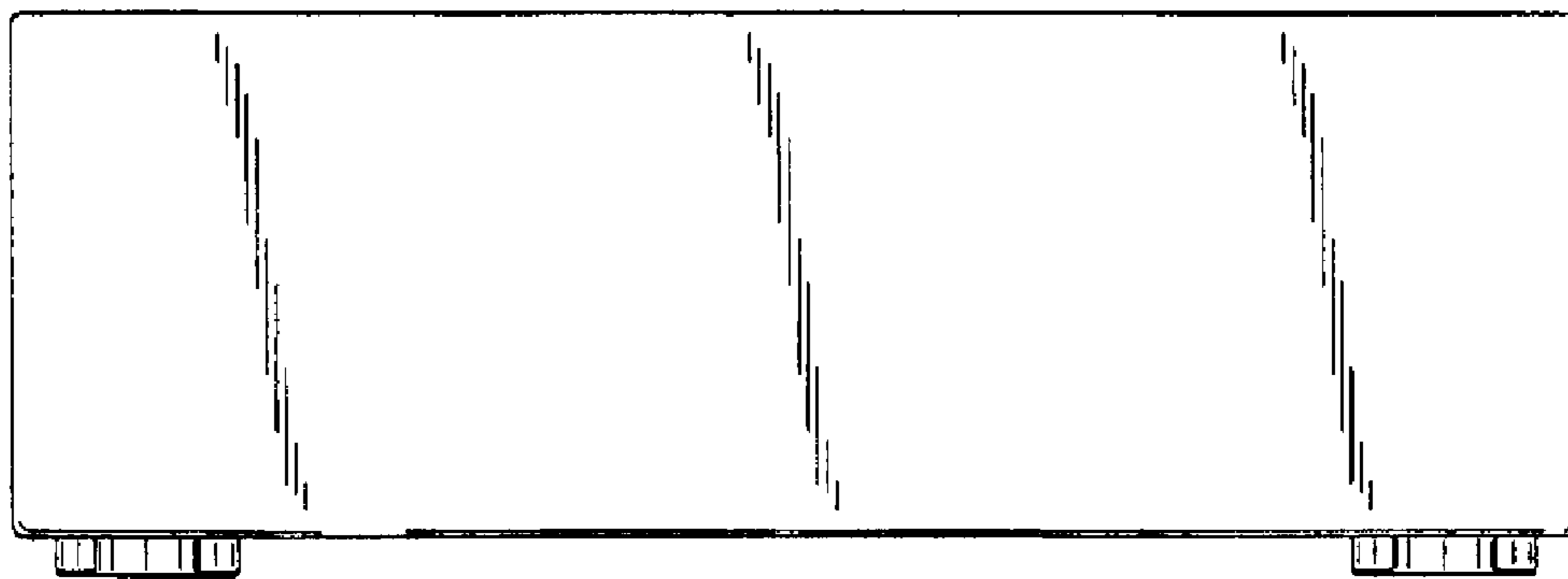


FIG. 3

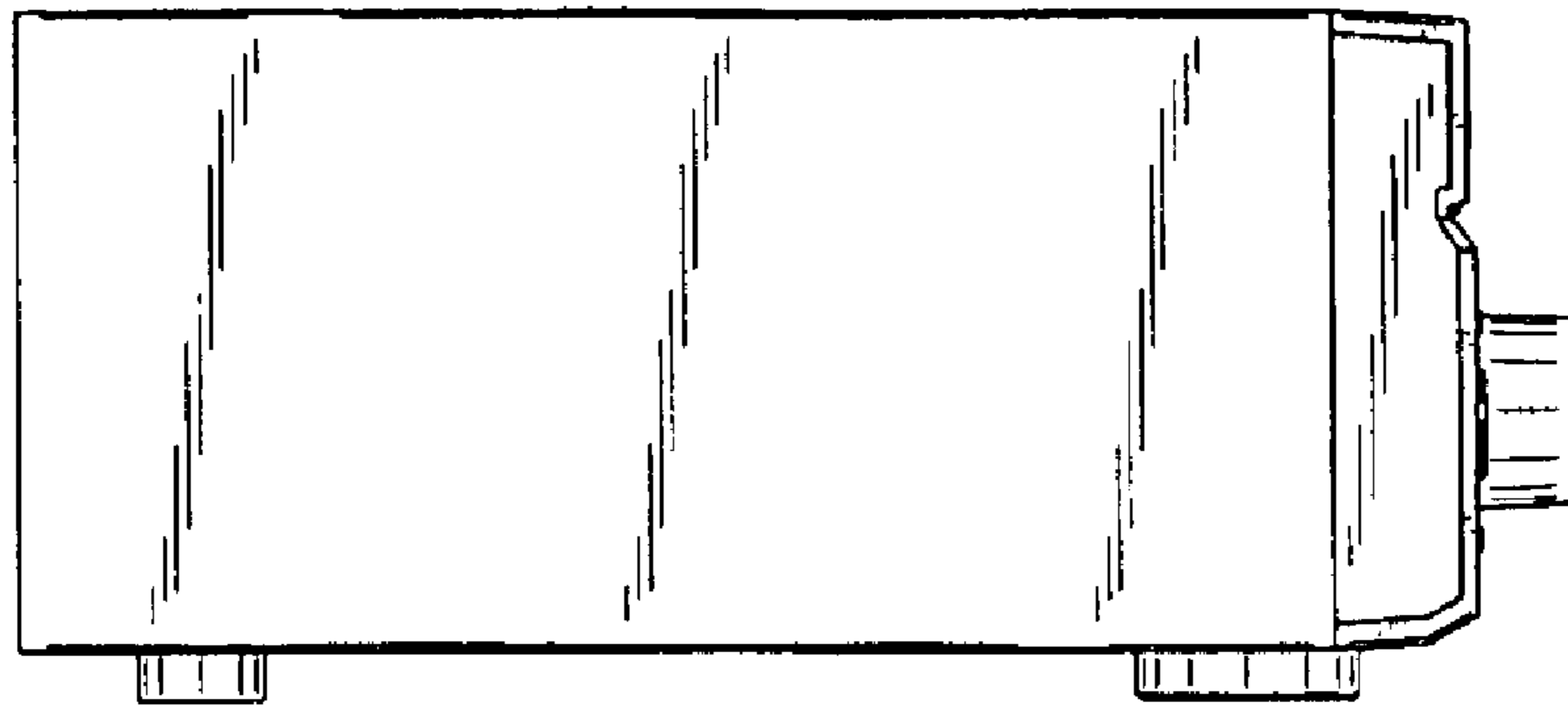


FIG. 4

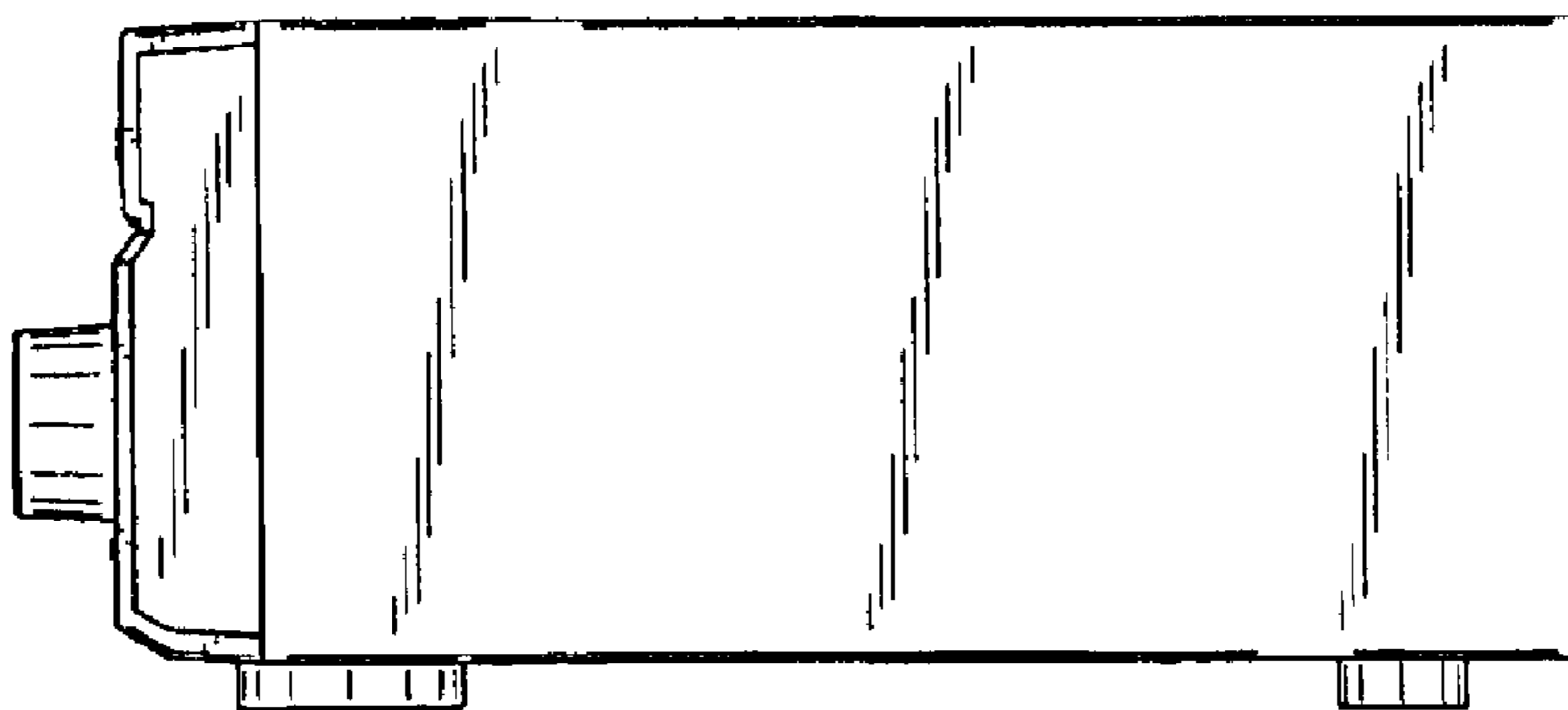


FIG. 5

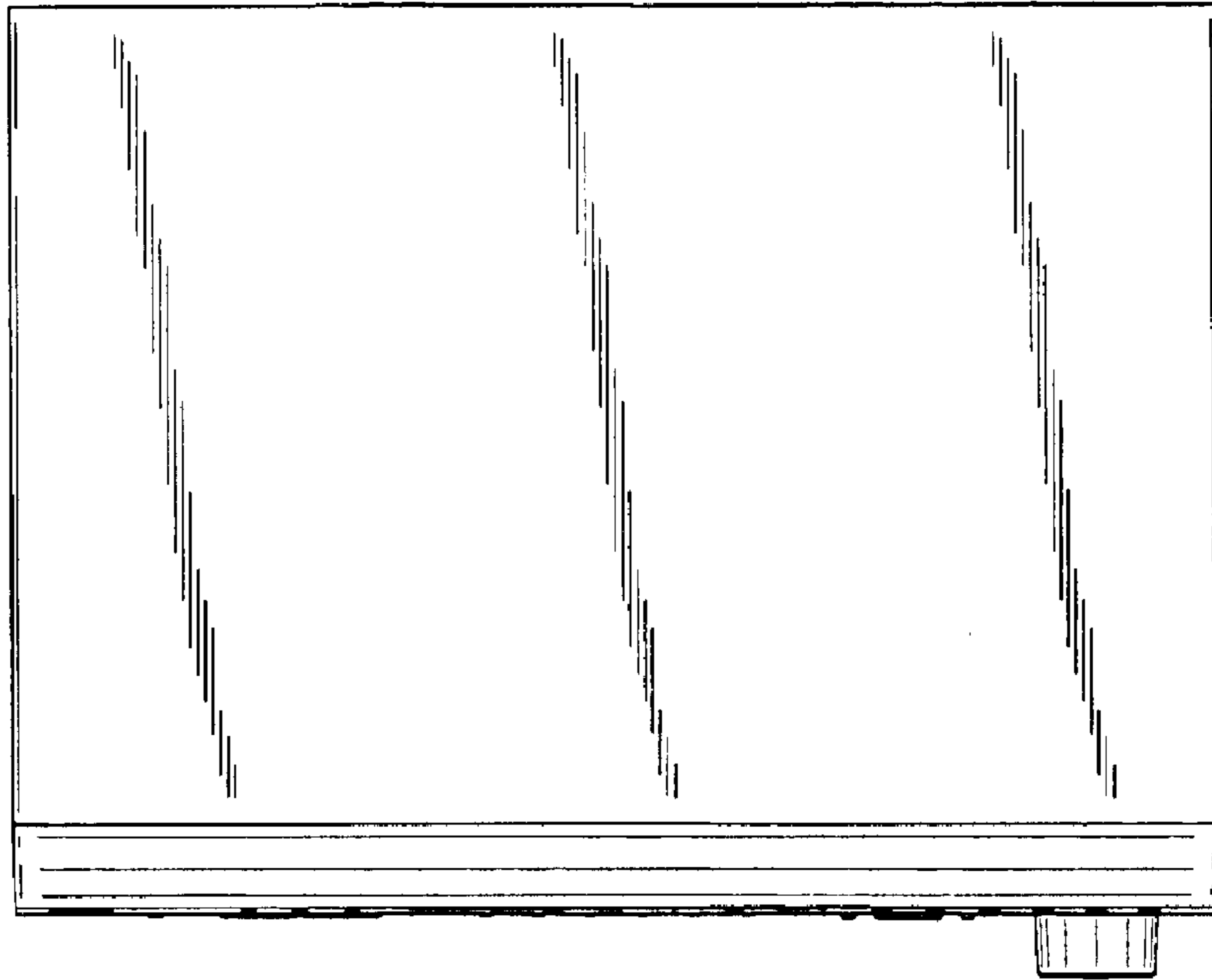


FIG. 6

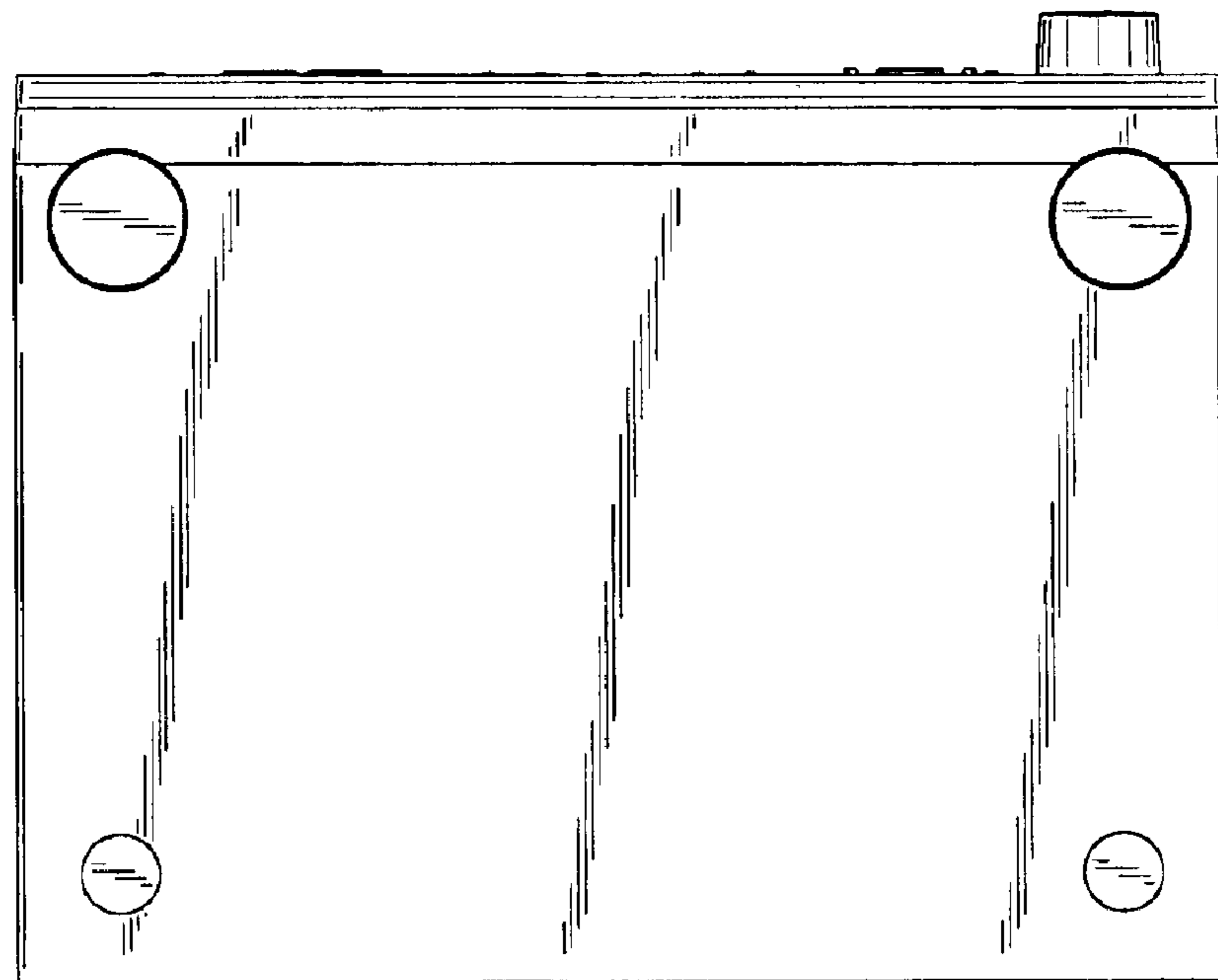


FIG. 7