

US00D502690S

(12) **United States Design Patent**
Uehara et al.

(10) **Patent No.: US D502,690 S**
(45) **Date of Patent: ** Mar. 8, 2005**

(54) **DISC PLAYER**

(75) Inventors: **Mitsuhiro Uehara**, Tokyo (JP); **Akio Suzuki**, Tokyo (JP)

(73) Assignee: **Sony Corporation**, Tokyo (JP)

(**) Term: **14 Years**

(21) Appl. No.: **29/200,626**

(22) Filed: **Mar. 3, 2004**

(51) **LOC (7) Cl. 14-03**

(52) **U.S. Cl. D14/129; D14/132**

(58) **Field of Search D14/125-134, D14/239, 371, 374-376; 312/7.2; 348/836, 838, 180, 184, 325, 739; 341/12; 248/917-924, 465; 345/104, 133, 156, 168, 87, 173; 720/605, 669, 600, 655; 369/99, 197; 455/344-347**

(56) **References Cited**

U.S. PATENT DOCUMENTS

5,265,083	A	*	11/1993	Ishii et al.	720/605
D374,871	S		10/1996	Taniguchi	
D376,823	S		12/1996	Ikenaga	
D391,251	S		2/1998	Yuyama et al.	
D409,184	S	*	5/1999	Sakamoto et al.	D14/129
D410,464	S		6/1999	Hakoda	
D412,900	S	*	8/1999	Utsugi	D14/156
D418,823	S		1/2000	Matsuzaka	
6,014,357	A	*	1/2000	Watanabe et al.	720/655
D421,001	S		2/2000	Miyashita	
D443,256	S	*	6/2001	Yoshiyama	D14/129
D445,100	S	*	7/2001	Sawai	D14/136
D447,738	S	*	9/2001	Usami et al.	D14/129
D456,373	S	*	4/2002	Usami et al.	D14/129

D482,669	S	*	11/2003	Hori et al.	D14/132
D485,812	S	*	1/2004	Park	D14/132
6,772,422	B2	*	8/2004	Yano et al.	720/600
6,792,292	B1	*	9/2004	Chatani	455/566
6,795,377	B2	*	9/2004	Gorden	368/12

OTHER PUBLICATIONS

Web page "Audiovox, DVD1500" <http://www.audiovox.com/webapp/wcs/stores/servlet/ProductDisplay?catalogId=10001&storeId=10> . . . , 1 sheet, Audiovox Corporation (Dec. 2003).

Web page "Audiovox, VOD806" <http://www.audiovox.com/webapp/wcs/stores/servlet/ProductDisplay?catalogId=10001&storeId=10> . . . , 1 sheet, Audiovox Corporation (Dec. 2003).

* cited by examiner

Primary Examiner—Raphael Barkai

(74) *Attorney, Agent, or Firm*—Rader, Fishman & Grauer PLLC

(57) **CLAIM**

The ornamental design for a disc player, as shown.

DESCRIPTION

FIG. 1 is a perspective view of a disc player showing our new design;
FIG. 2 is a front elevational view thereof;
FIG. 3 is a left side elevational view thereof;
FIG. 4 is a right side elevational view thereof;
FIG. 5 is a rear elevational view thereof;
FIG. 6 is a top plan view thereof; and,
FIG. 7 is a bottom plan view thereof.

1 Claim, 5 Drawing Sheets

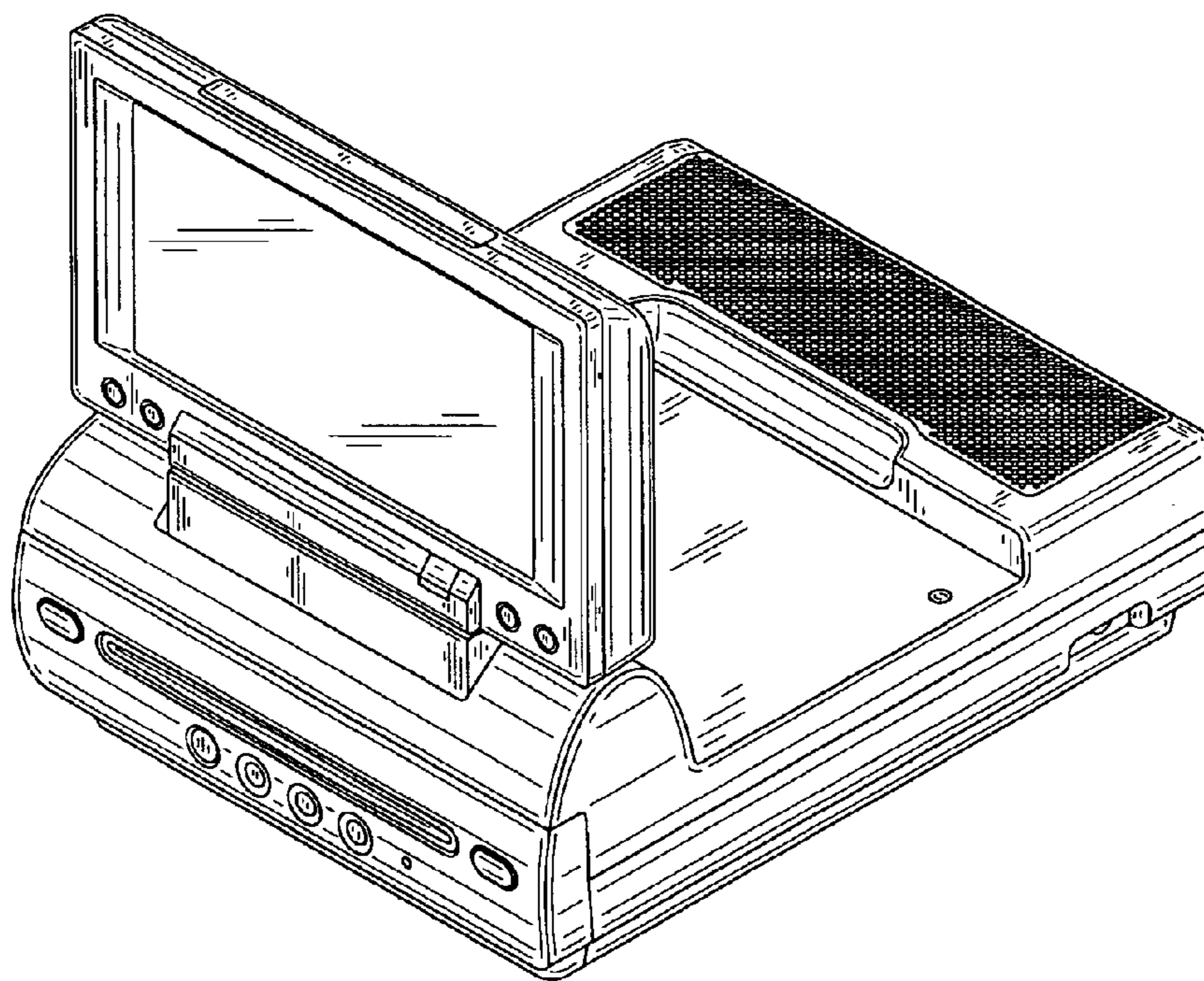


Fig. 1

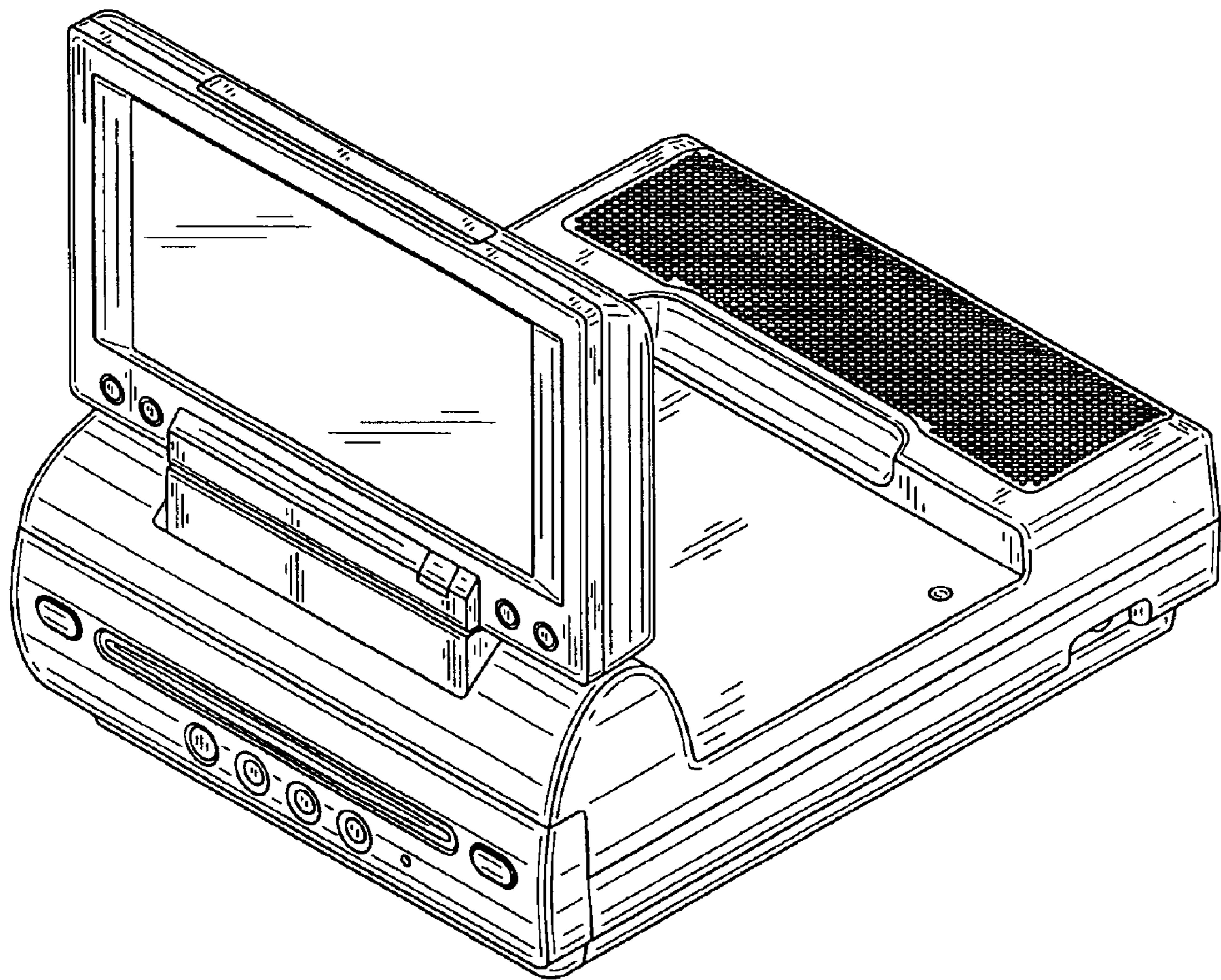


Fig.2

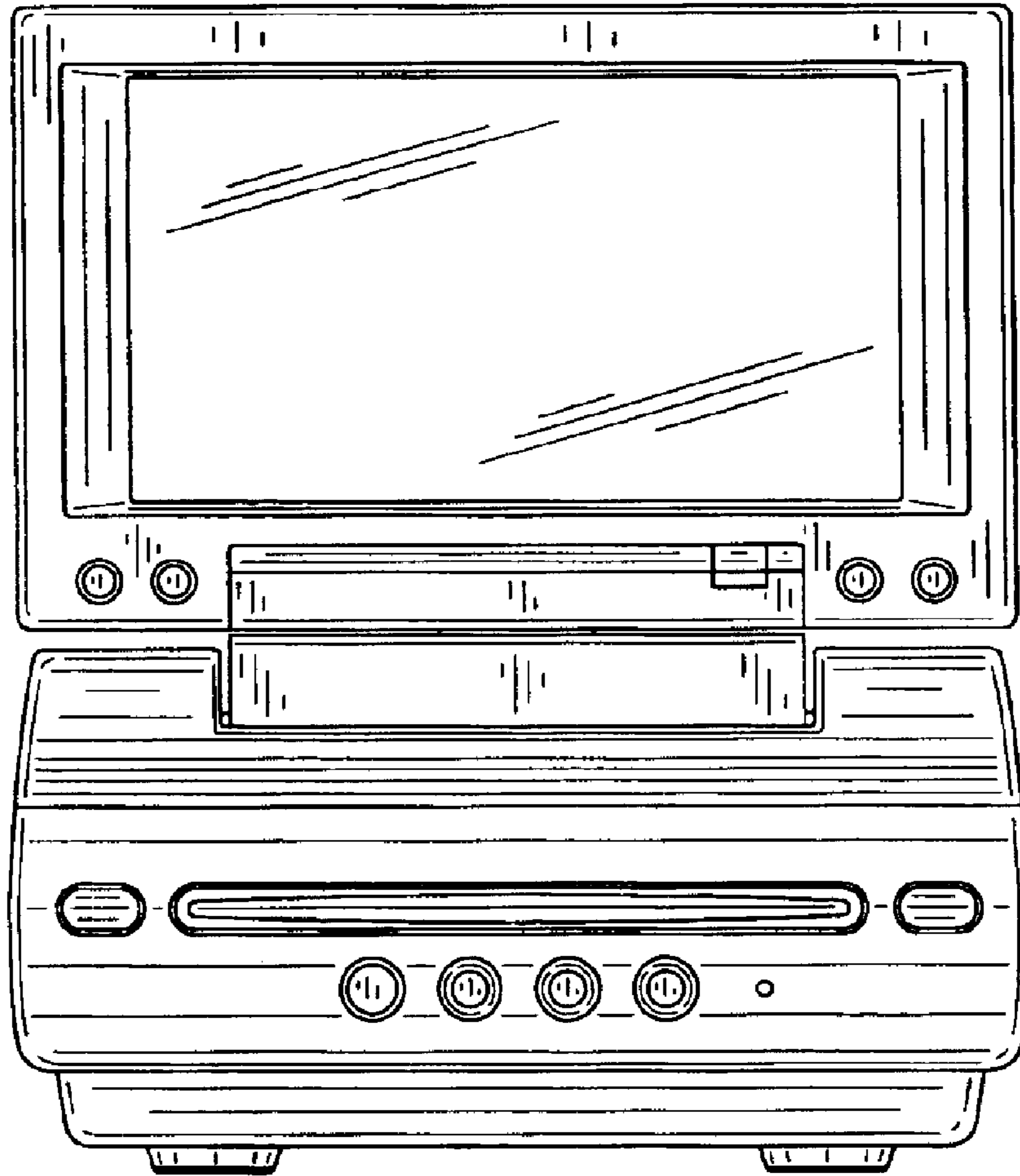


Fig.3

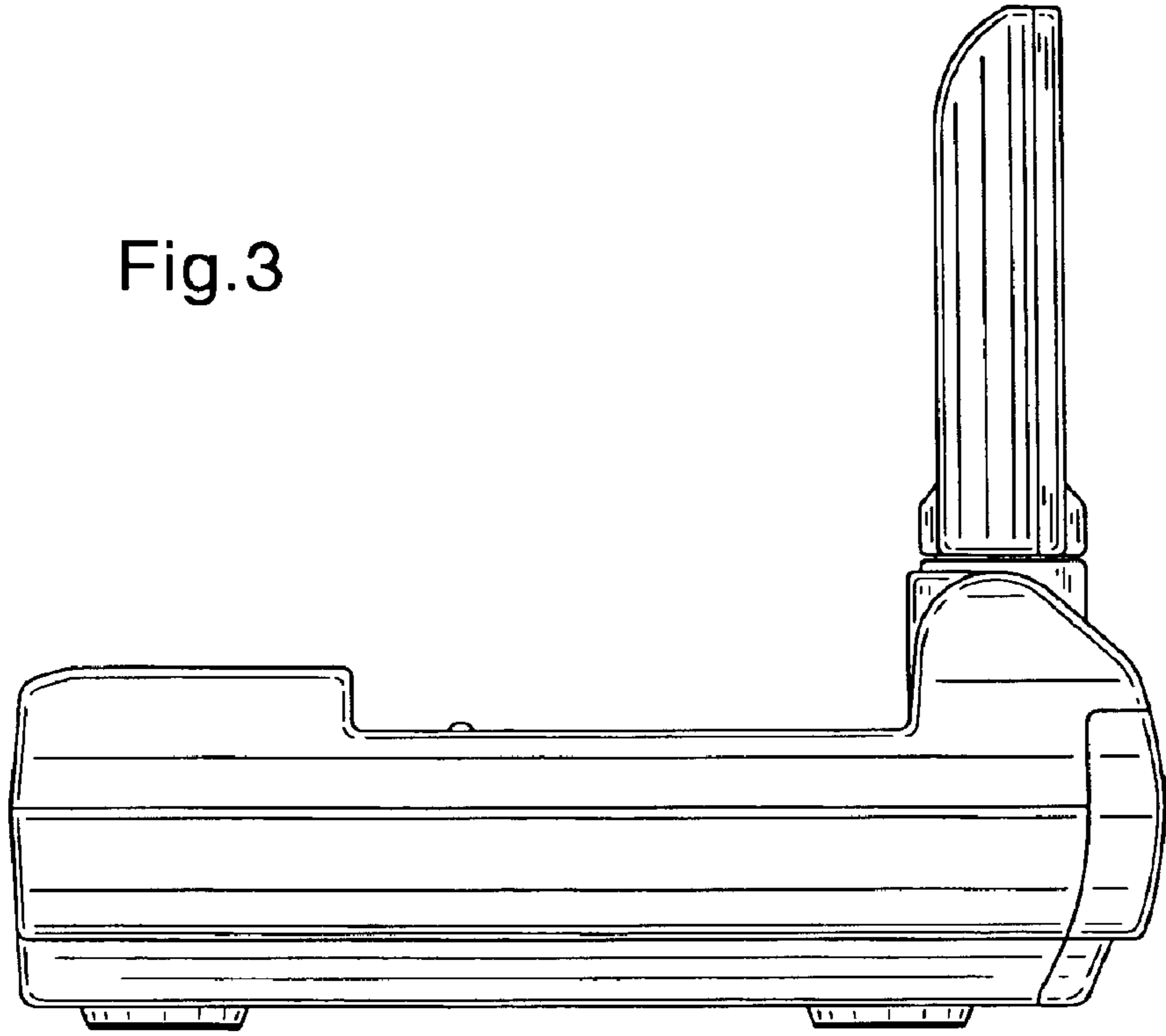


Fig.4

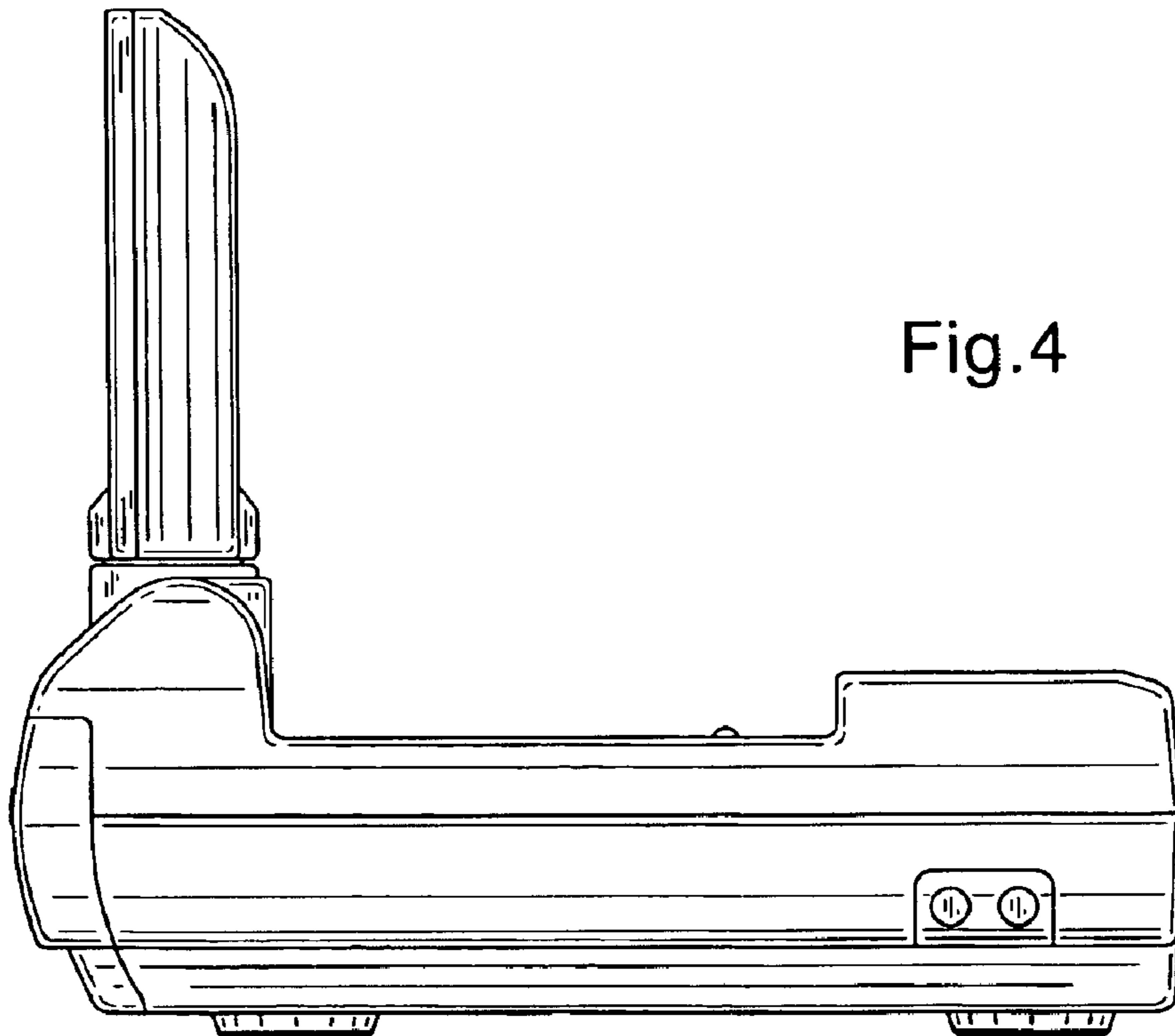


Fig.5

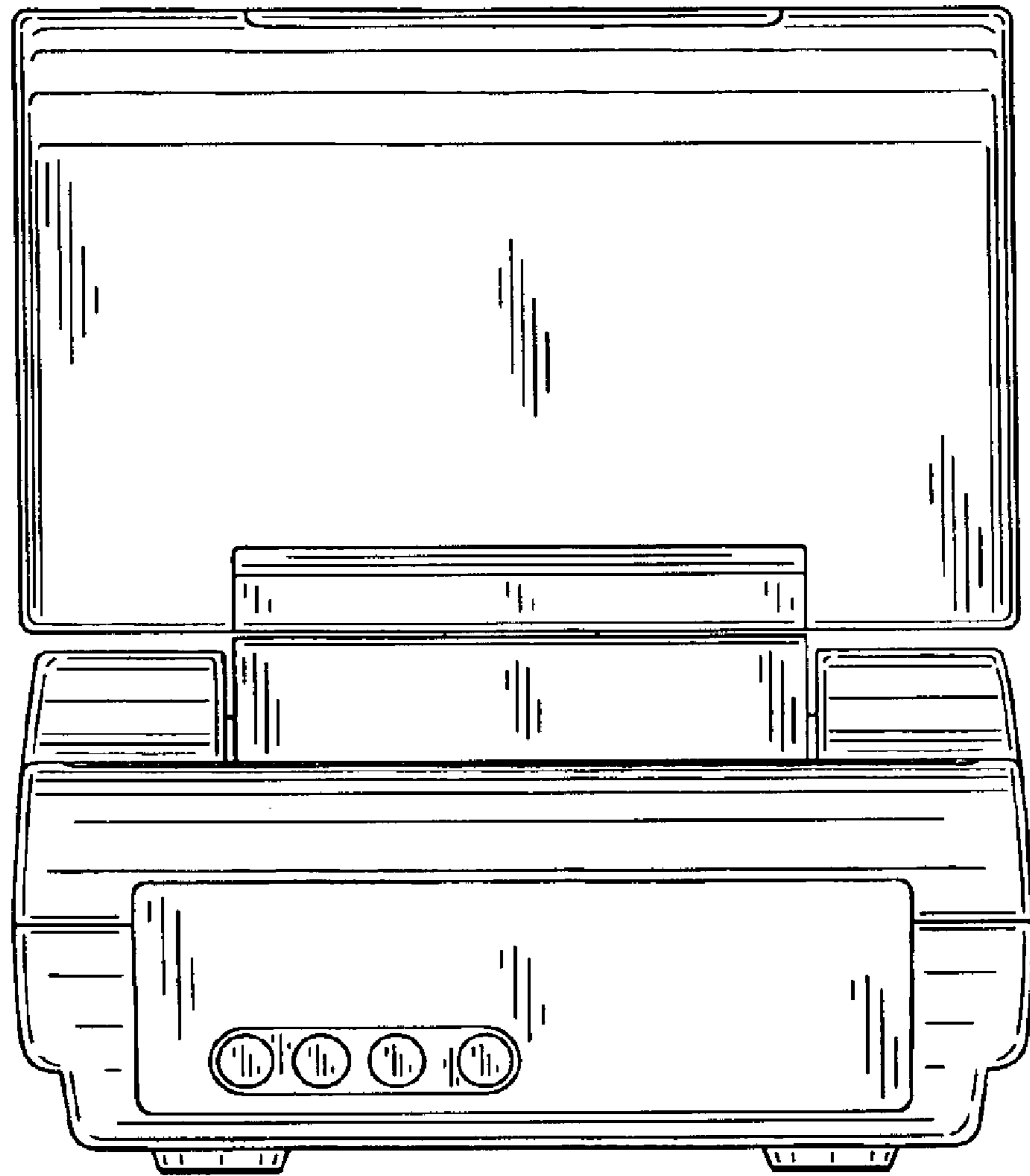


Fig.6

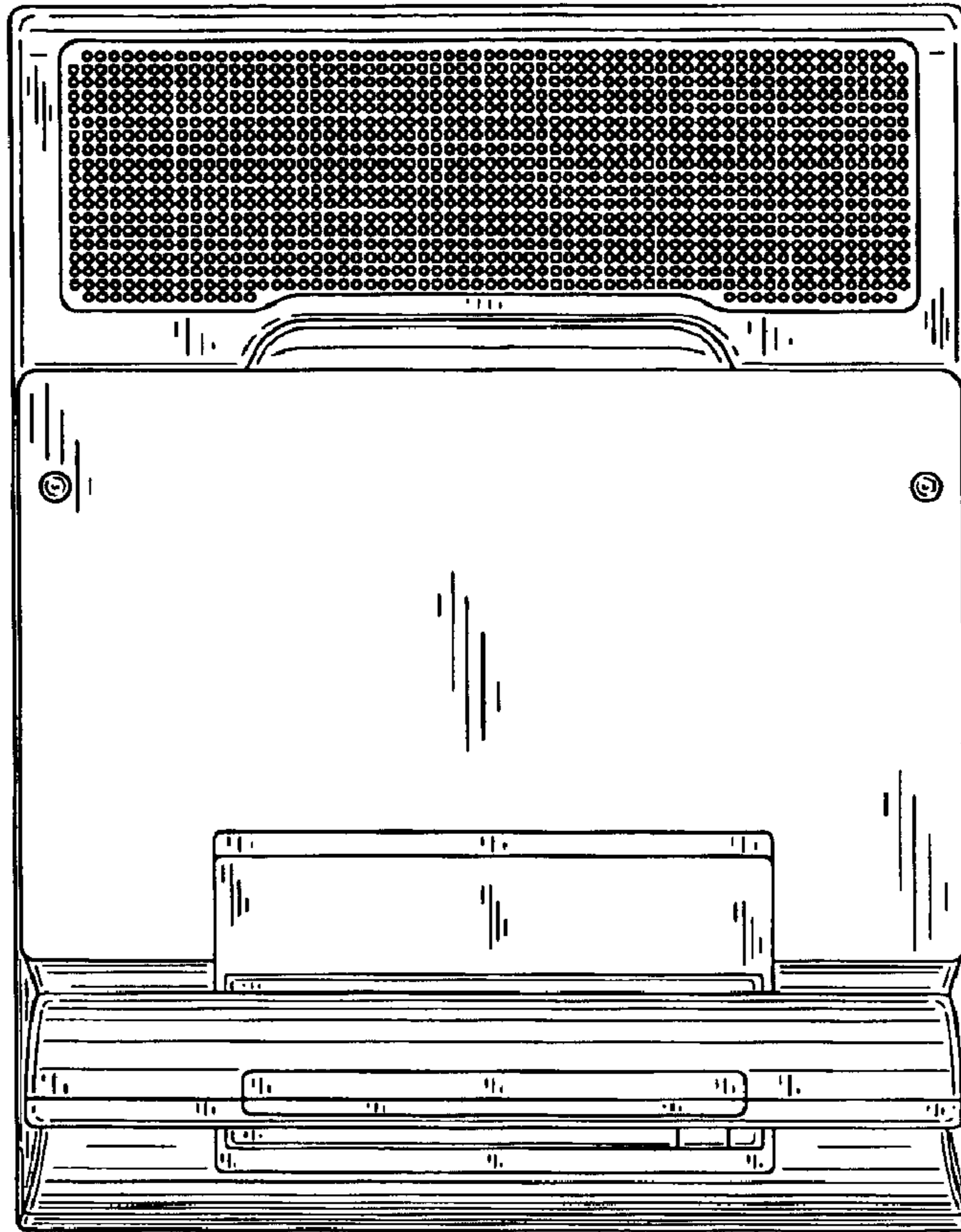


Fig.7

