

US00D502689S

(12) **United States Design Patent**
Ishida

(10) **Patent No.:** **US D502,689 S**
(45) **Date of Patent:** **** Mar. 8, 2005**

- (54) **LIGHT EMITTING DIODE**
- (75) **Inventor:** **Masashi Ishida, Naka-gun (JP)**
- (73) **Assignee:** **Nichia Corporation, Anan (JP)**
- (**) **Term:** **14 Years**
- (21) **Appl. No.:** **29/183,014**
- (22) **Filed:** **Jun. 5, 2003**
- (51) **LOC (7) Cl. 13-03**
- (52) **U.S. Cl. D13/180**
- (58) **Field of Search D13/180, 182;**
D10/104, 114; 257/88, 89, 93-96, 98, 99,
678, 687; 313/498, 499, 555, 800; 361/820;
362/152, 226, 241, 249, 250, 800; 372/45;
439/353, 620

JP	D1171707	4/2003
JP	D1171709	4/2003
JP	D1171710	4/2003
KR	30-0294490	3/2002
KR	30-0294490-1	3/2002

* cited by examiner

Primary Examiner—Philip S. Hyder
Assistant Examiner—Selina Sikder
(74) *Attorney, Agent, or Firm*—Smith Patent Office

(56) **References Cited**

U.S. PATENT DOCUMENTS

4,580,859	A	*	4/1986	Frano et al.	439/353
5,475,241	A	*	12/1995	Harrah et al.	257/99
D453,745	S	*	2/2002	Suenaga	D13/180
D478,877	S	*	8/2003	Hoshiba	D13/182
D482,337	S	*	11/2003	Kamada	D13/182

FOREIGN PATENT DOCUMENTS

JP	D984224-1	10/1997
JP	D1077515	7/2000
JP	D1170087	4/2003
JP	D1170881	4/2003
JP	D1171193	4/2003
JP	D1171195	4/2003
JP	D1171196	4/2003

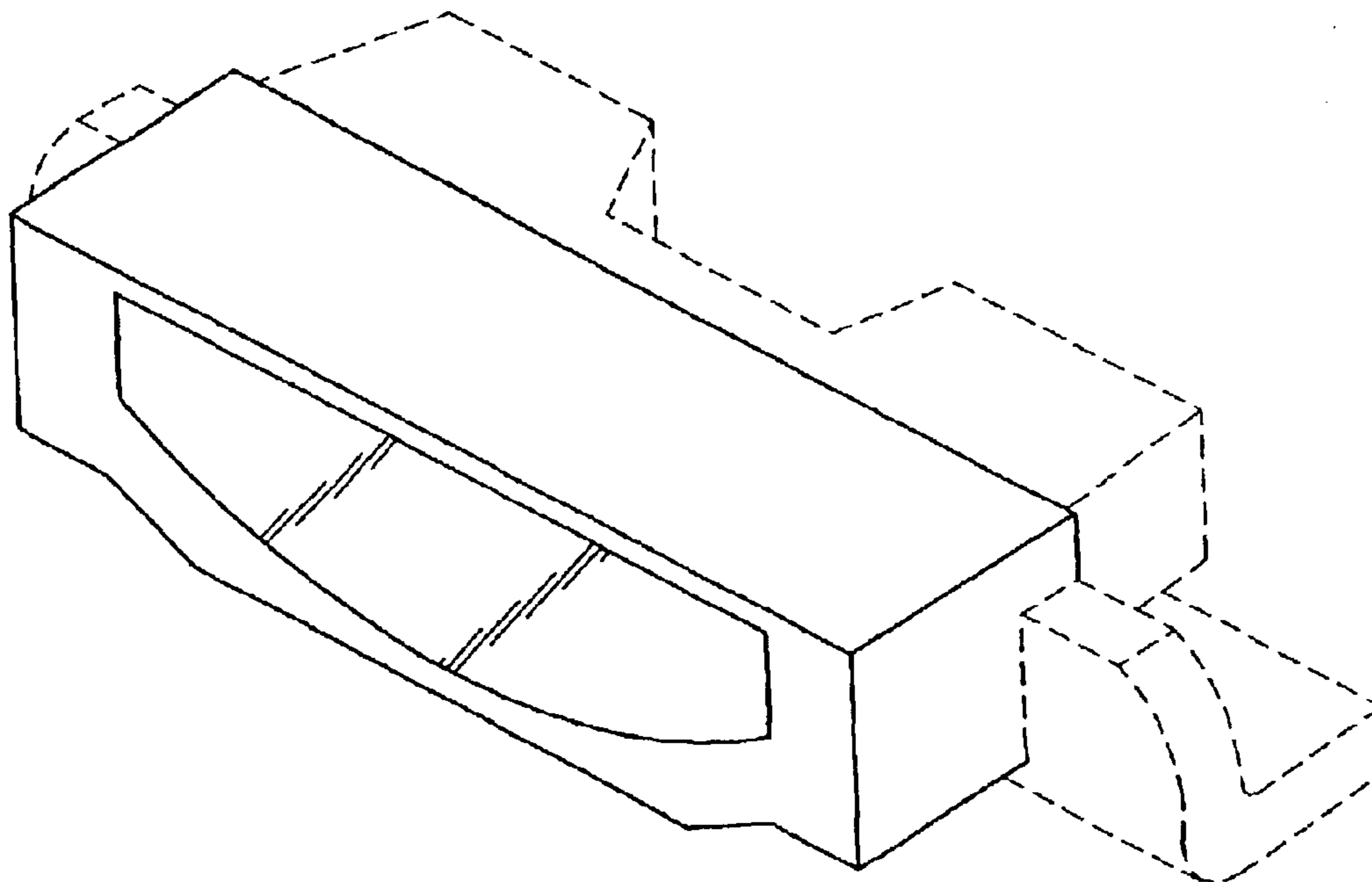
(57) **CLAIM**

I claim the ornamental design for a light emitting diode, as shown and described.

DESCRIPTION

FIG. 1 is a perspective view of a light emitting diode showing my new design;
 FIG. 2 is a plan view of the light emitting diode according to FIG. 1;
 FIG. 3 is a left view of the light emitting diode according to FIG. 1;
 FIG. 4 is a front elevational view of the light emitting diode according to FIG. 1;
 FIG. 5 is a right view of the light emitting diode according to FIG. 1;
 FIG. 6 is a bottom plan of the light emitting diode according to FIG. 1; and,
 FIG. 7 is a rear elevational view of the light emitting diode according to FIG. 1.
 The broken line showing of the environment is for illustrative purpose only and forms no part of the claimed design.

1 Claim, 2 Drawing Sheets



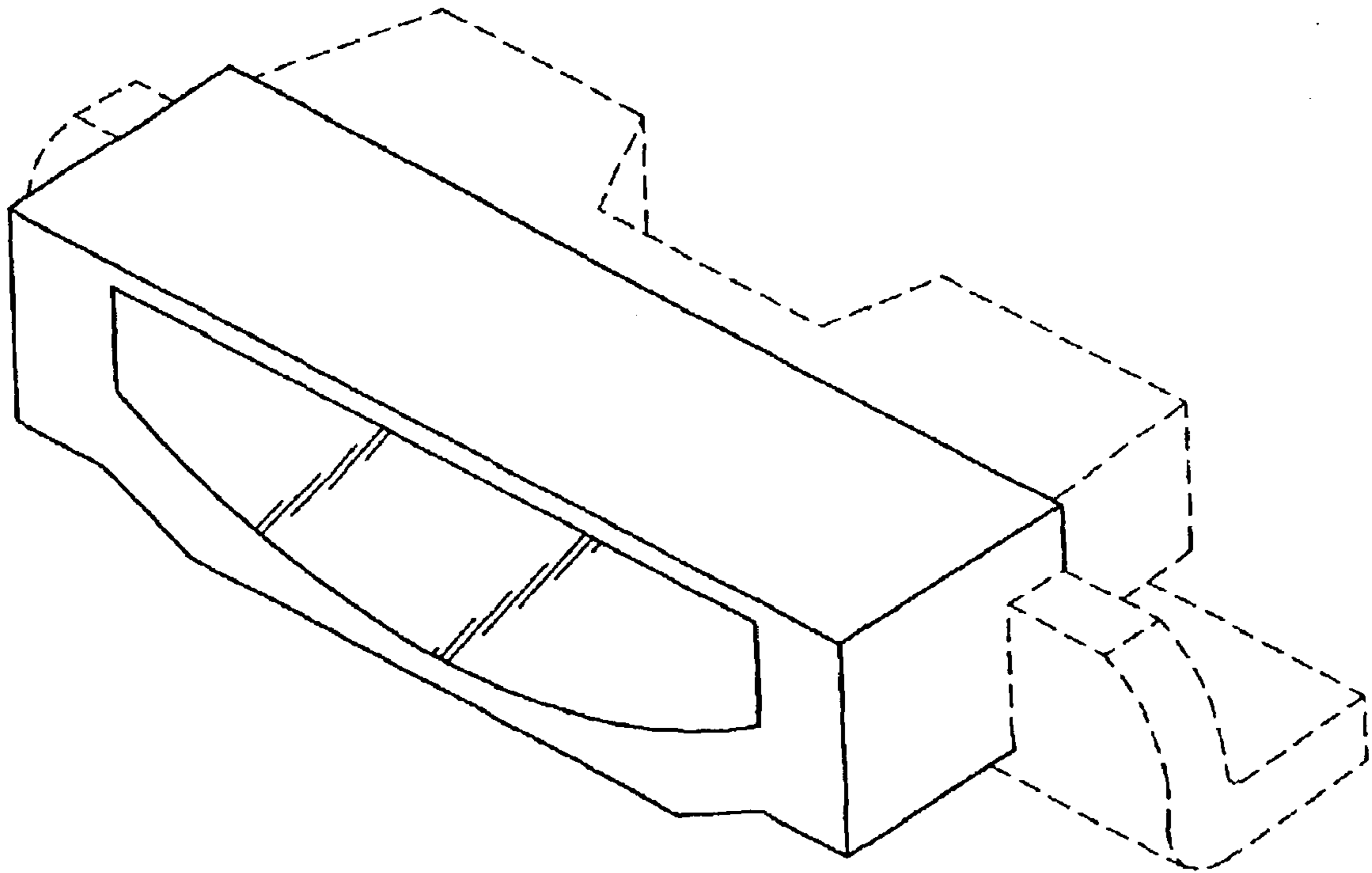


FIG. 1



FIG. 2

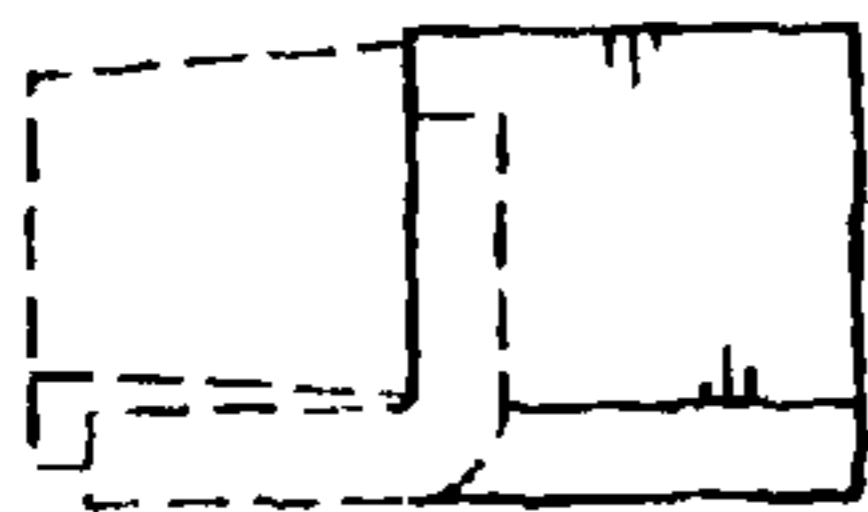


FIG. 3

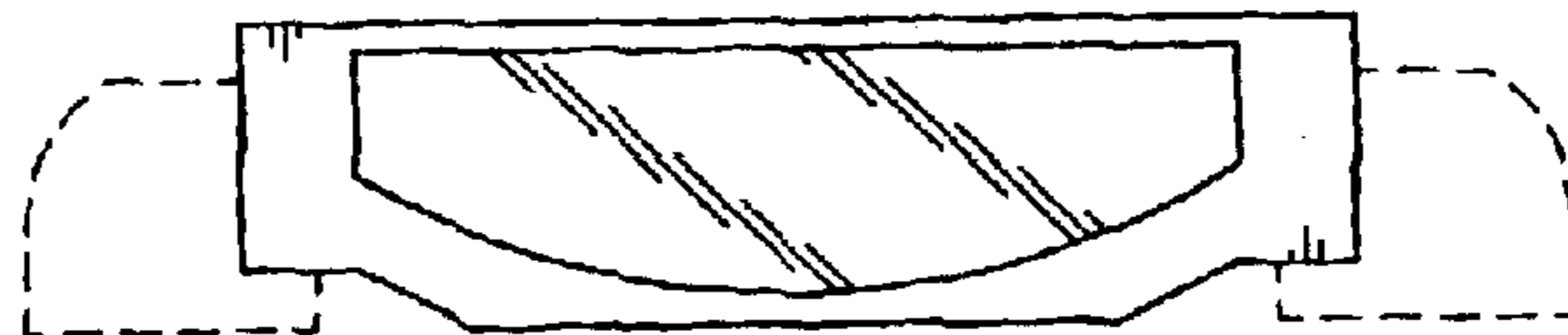


FIG. 4

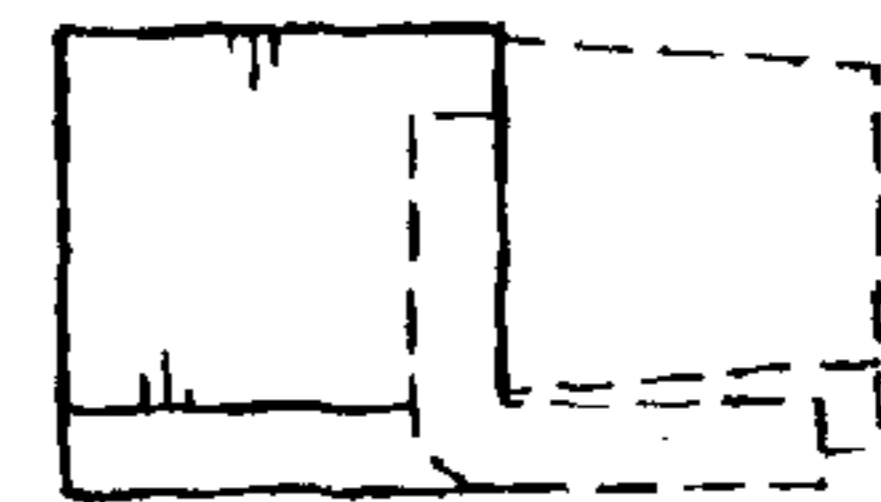


FIG. 5



FIG. 6

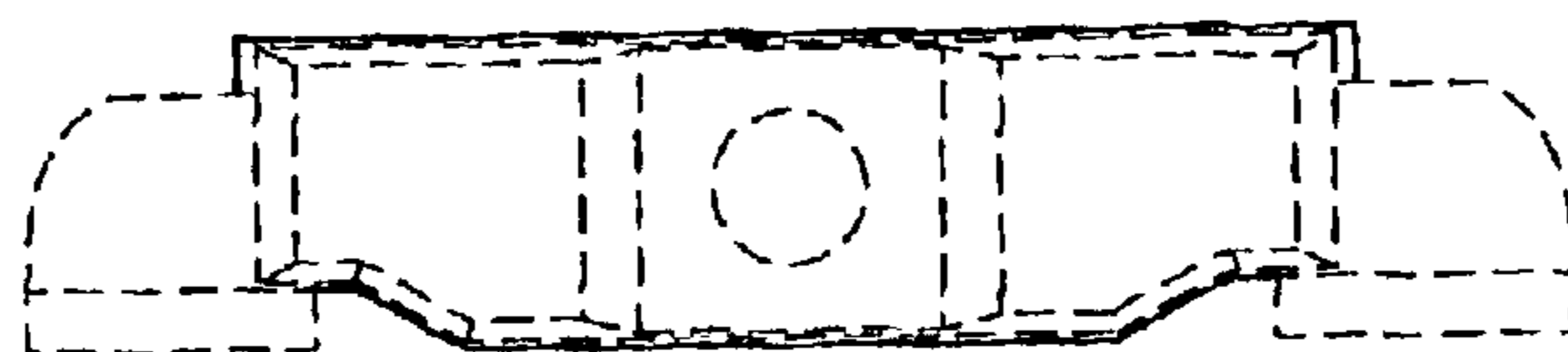


FIG. 7