



US00D502680S

(12) **United States Design Patent**
Frizzi

(10) **Patent No.:** **US D502,680 S**
(45) **Date of Patent:** **** Mar. 8, 2005**

(54) **FRONT FACE OF A VEHICLE WHEEL**

(75) **Inventor:** **Roberto Frizzi, Brescia (IT)**

(73) **Assignee:** **Bayerische Motoren Werke
Aktiengesellschaft, Munich (DE)**

(**) **Term:** **14 Years**

(21) **Appl. No.:** **29/200,238**

(22) **Filed:** **Feb. 26, 2004**

(30) **Foreign Application Priority Data**

Aug. 27, 2003 (DE) 403 05 622

(51) **LOC (7) Cl.** **12-16**

(52) **U.S. Cl.** **D12/211**

(58) **Field of Search** **D12/204-213;**
301/37.101, 64.101, 65

(56) **References Cited**

U.S. PATENT DOCUMENTS

D208,541 S * 9/1967 Rader D12/211

D361,976 S * 9/1995 Echazabal et al. D12/211
D451,464 S * 12/2001 Bernoni D12/209
D460,941 S * 7/2002 Muzzarelli D12/211
D466,067 S * 11/2002 Muzzarelli D12/211
D477,266 S * 7/2003 Chung D12/211
D481,664 S * 11/2003 Vian D12/211
D492,238 S * 6/2004 Bernoni D12/211

* cited by examiner

Primary Examiner—Stacia Cadmus

(74) *Attorney, Agent, or Firm*—Crowell & Moring LLP

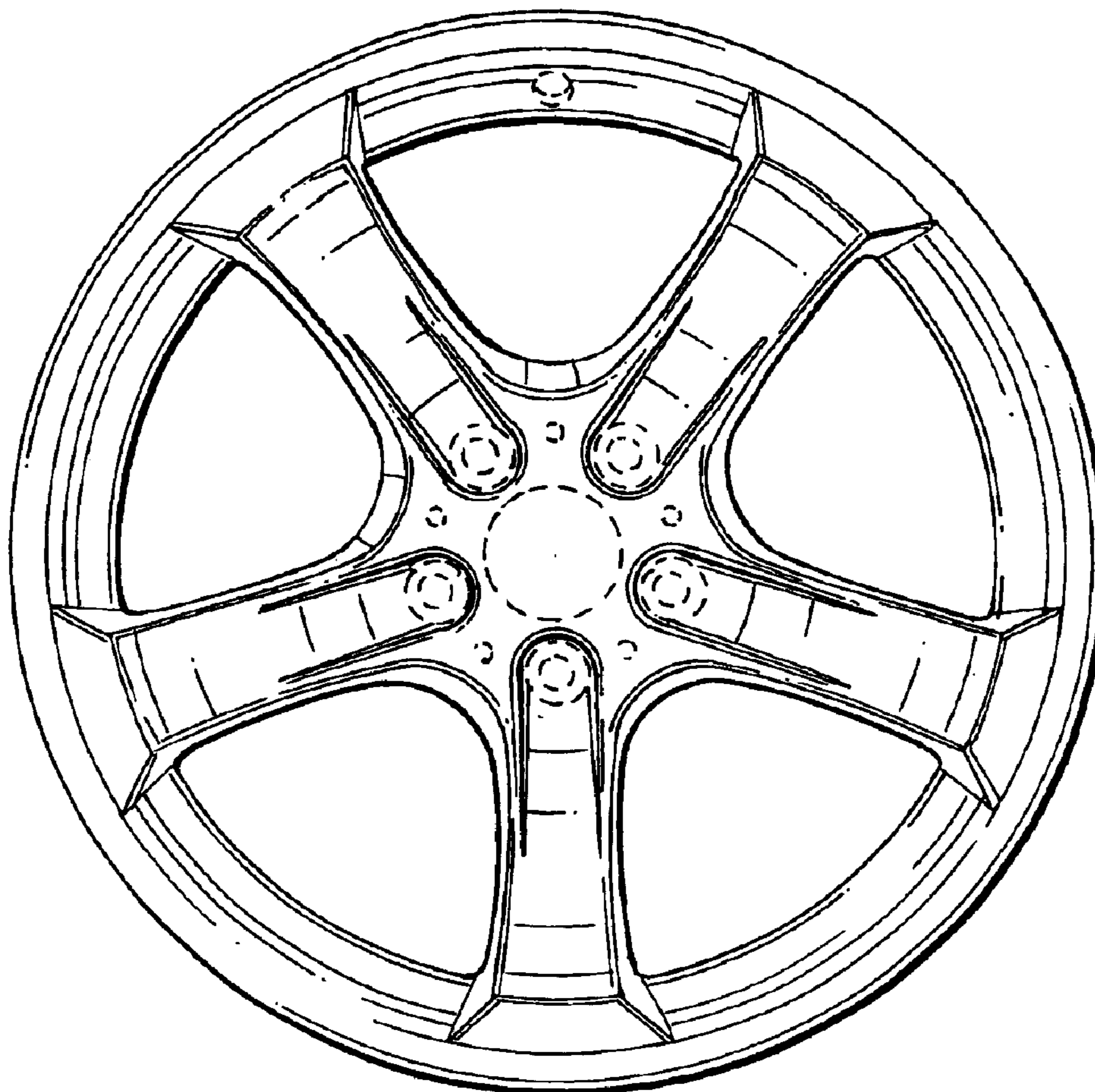
(57) **CLAIM**

The ornamental design for a front face of a vehicle wheel,
as shown and described.

DESCRIPTION

FIG. 1 is a front view of a front face of a vehicle wheel
according to my novel design; and,
FIG. 2 is a perspective view of the front face of a vehicle
wheel according to my novel design.

1 Claim, 1 Drawing Sheet



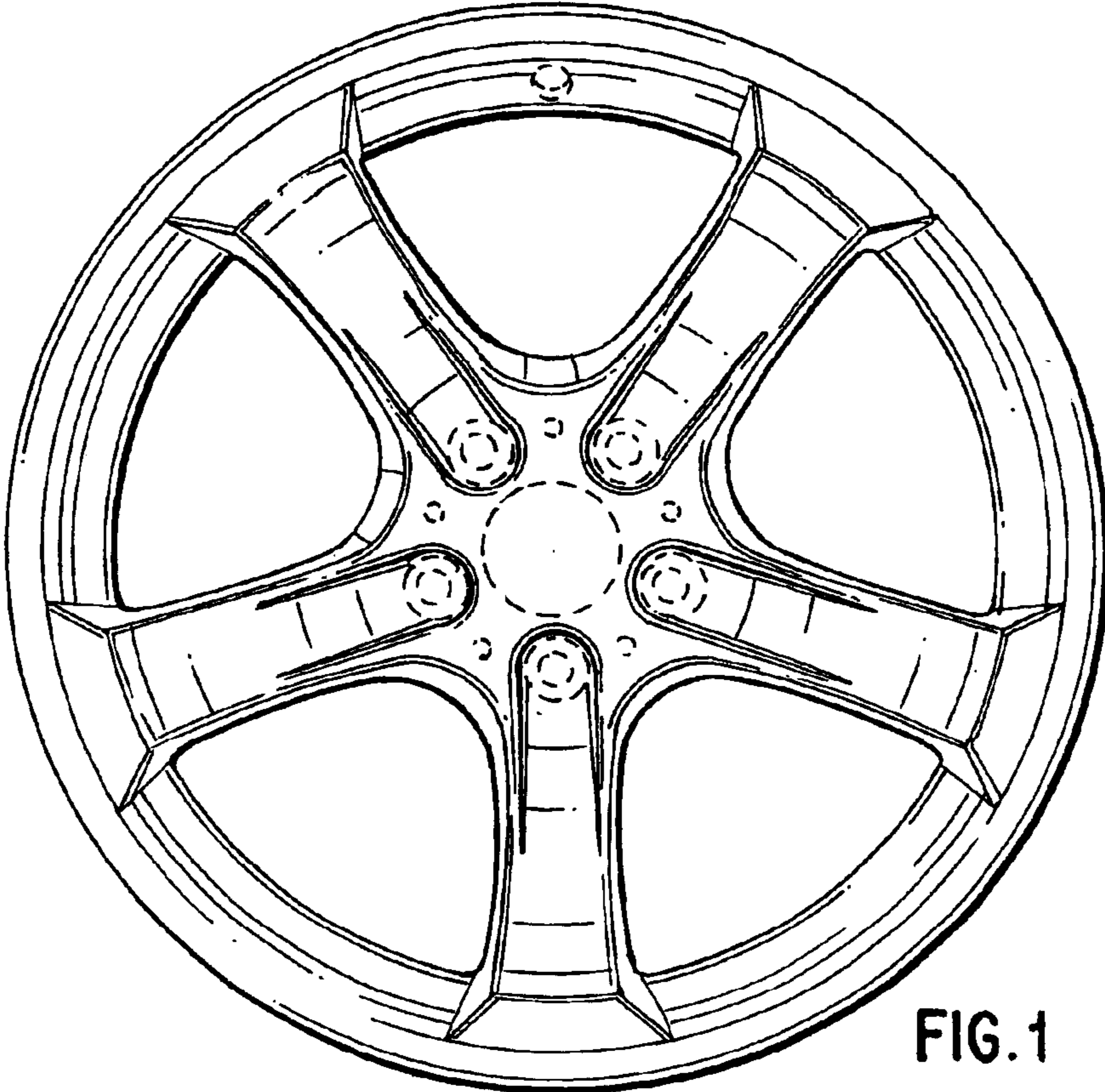


FIG. 1

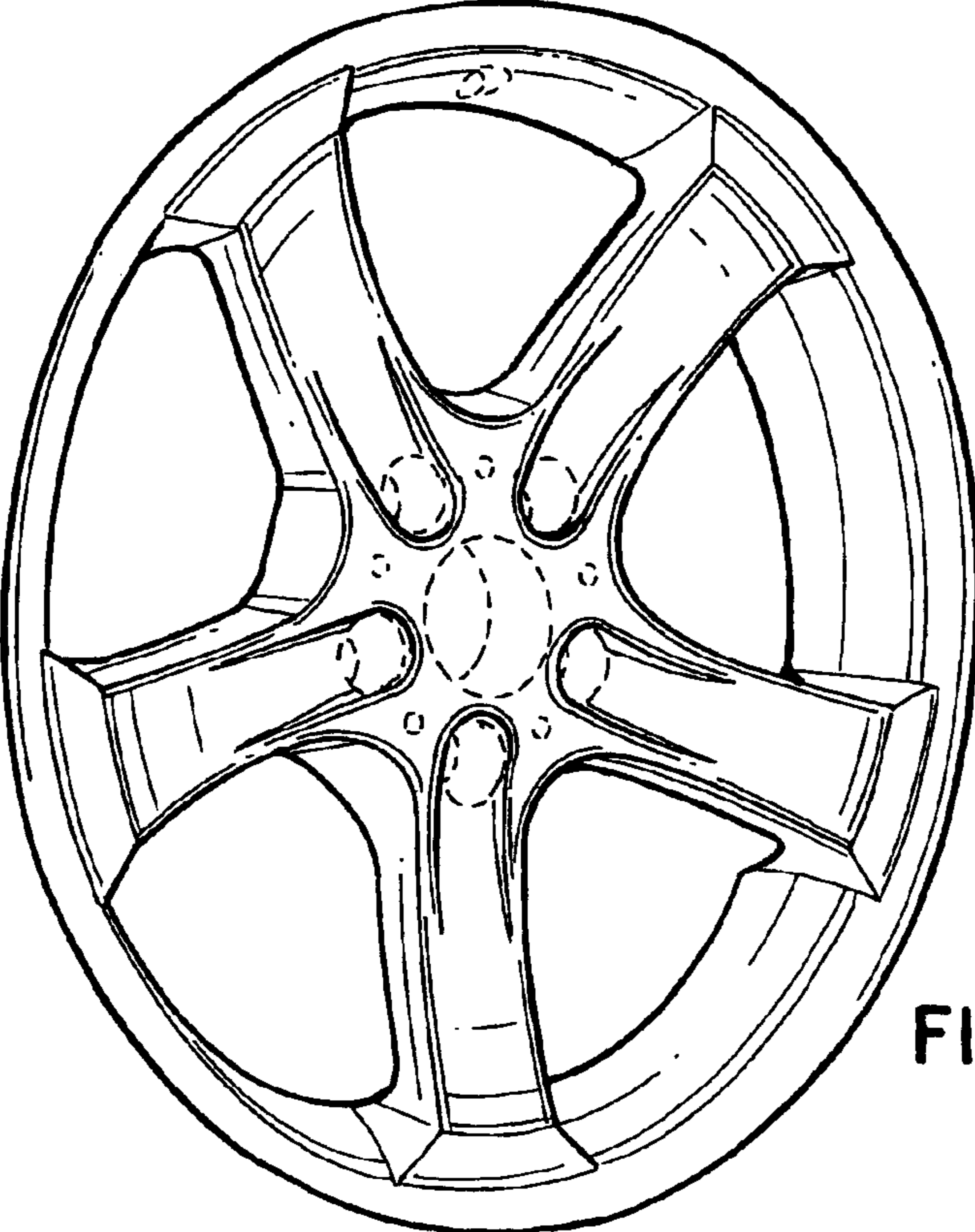


FIG. 2